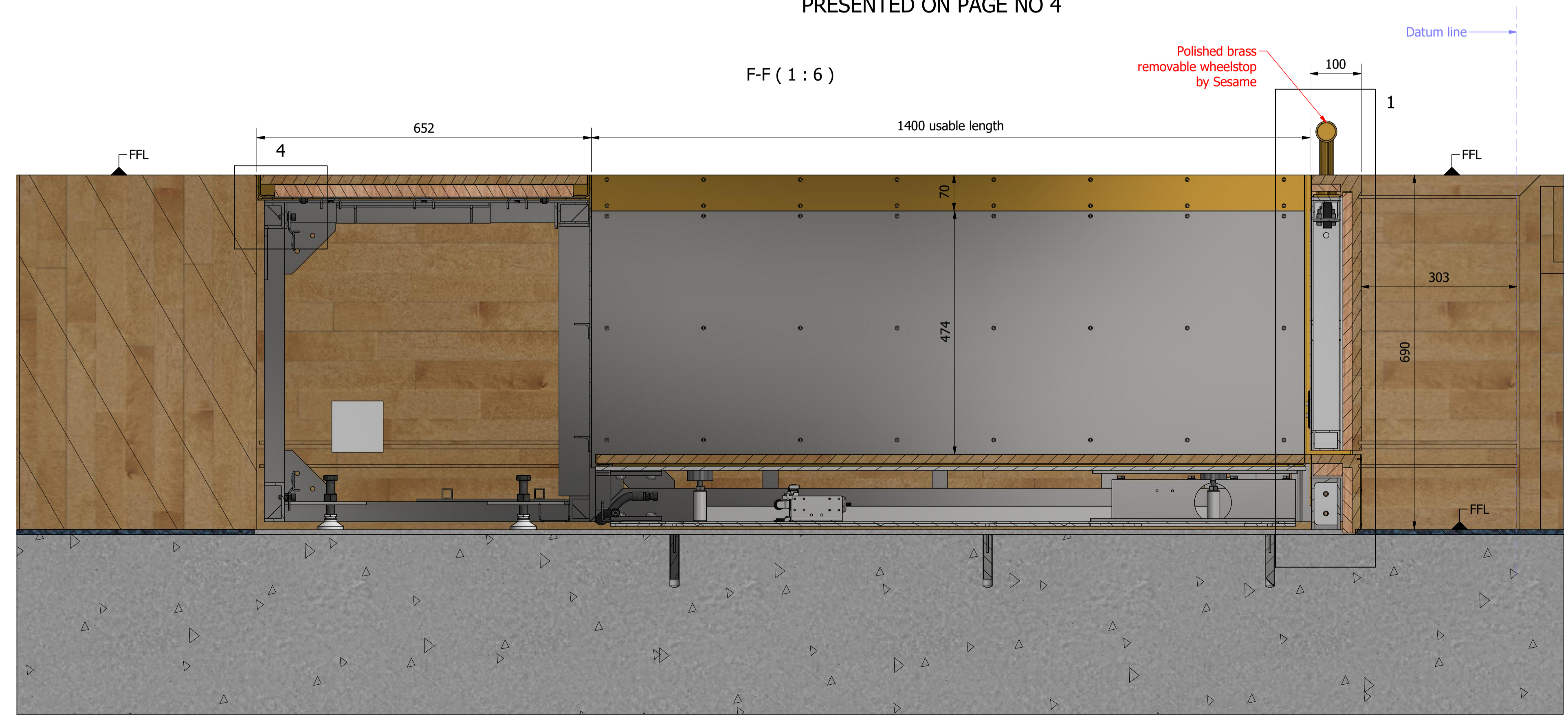
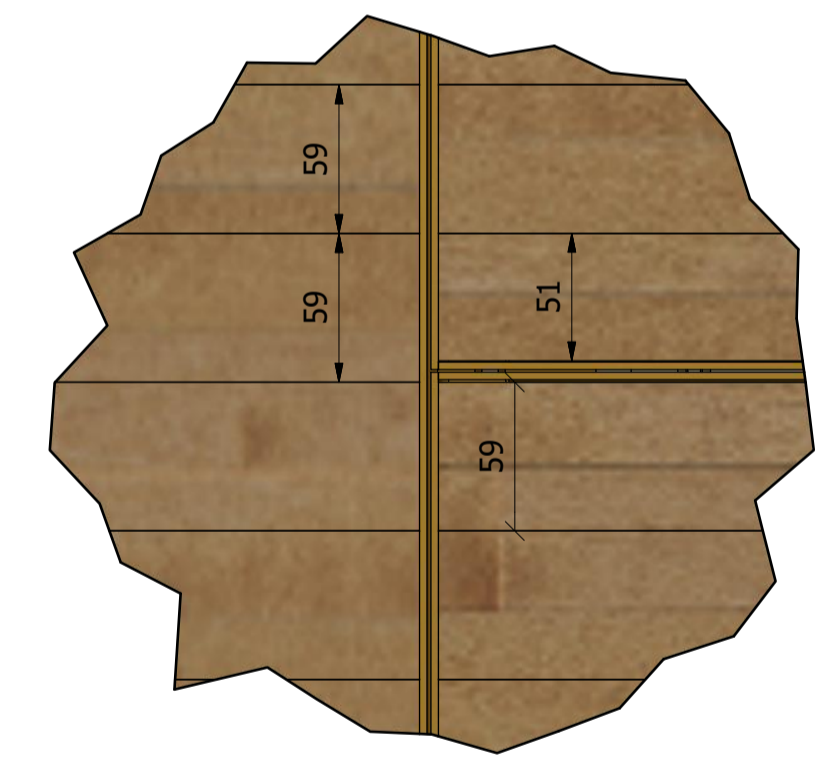


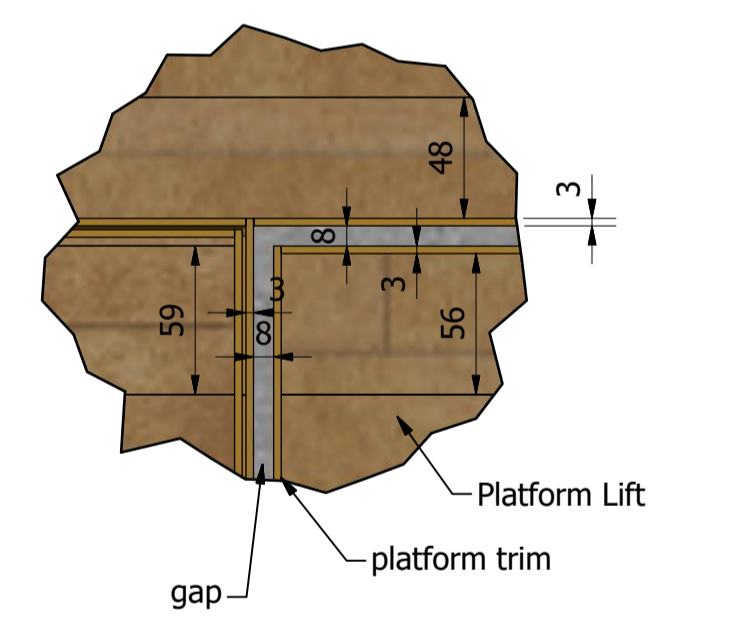
DETAILS 1 - 4 HAS BEEN PRESENTED ON PAGE NO 4



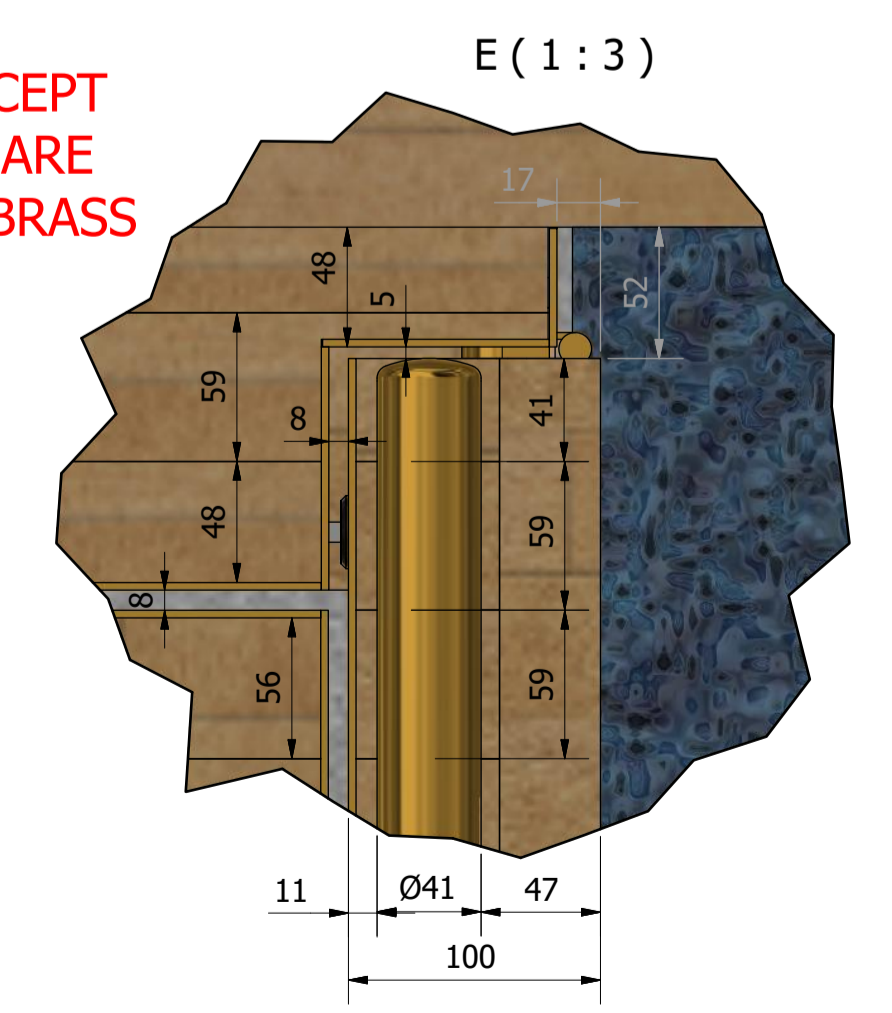
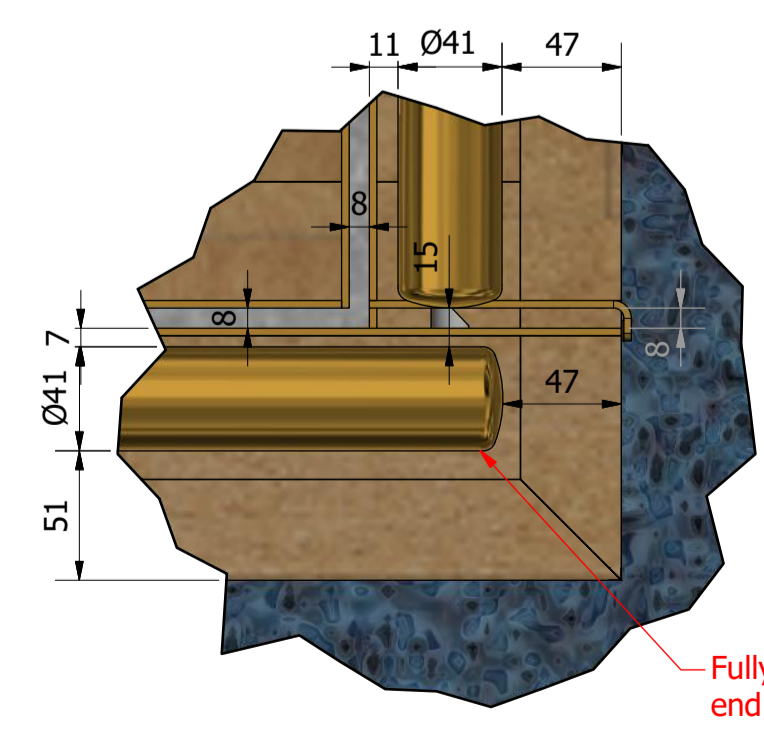
C (1:3)
Wood joint details
taken from 001066 - DRG - 004 - P2



D (1:3)
Wood joint details
taken from 001066 - DRG - 004 - P2



R (1:3)
ALL VISIBLE EDGES EXCEPT THE ROUND SOCKETS ARE MADE FROM POLISHED BRASS



This drawing and the information it contains is the property of Sesame Access Systems LTD. and must not be copied or issued to any third party. Do not insert this drawing onto your system as the Educational version message will overlay onto your drawings.	Designed by K. Porwol	Checked by S.J. Lyons	Date 18/06/2018	Project No: 1252.BritishLibrary	Rev: 9
				Sesame ACCESS FOR ALL Unit 1, Cumberland Works Winterwell Business Park Surrey, KT14 7LF Tel: +44 (0)1753 440088 Fax: +44 (0)1753 705252 Email: for@sesameaccess.com Web: www.sesameaccess.com	3D Sesame Layout