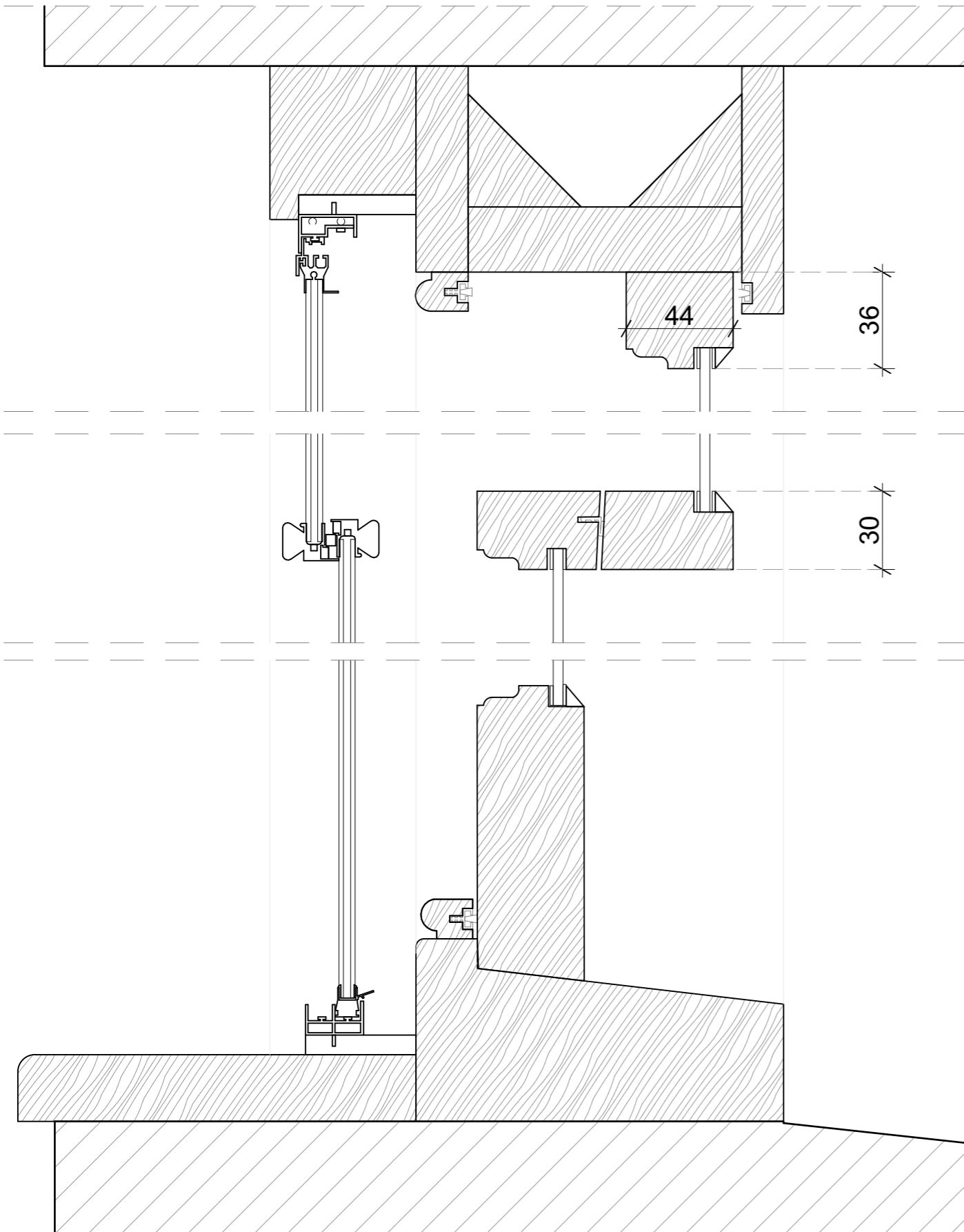
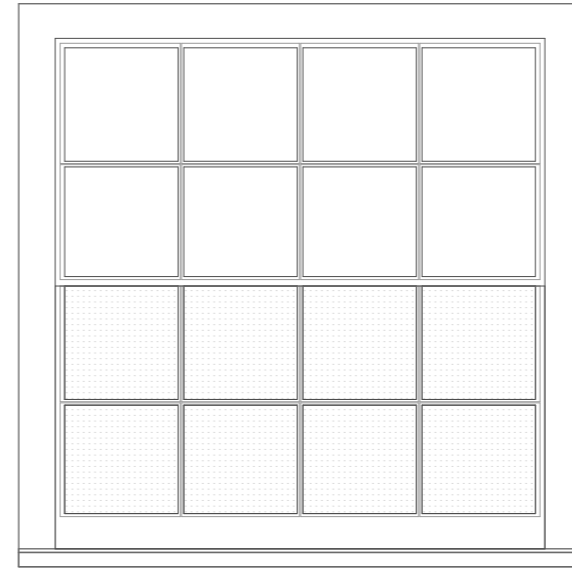


All dimensions to be checked on site. DO NOT SCALE FROM DRAWING. Discrepancies ambiguities and/or omissions between this drawing and information given elsewhere must be reported to the Architect immediately before proceeding. THIS DRAWING IS COPYRIGHT.

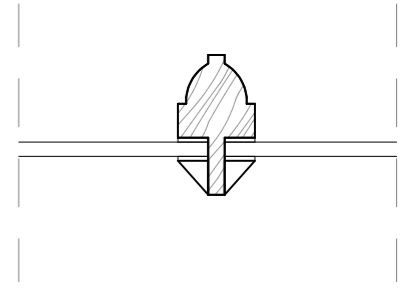
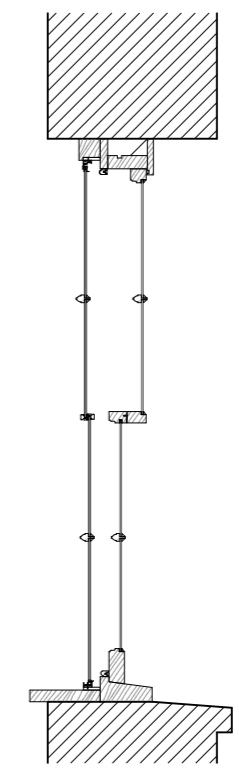
Revision	Description	Date
A	Details Updated	19/06/18



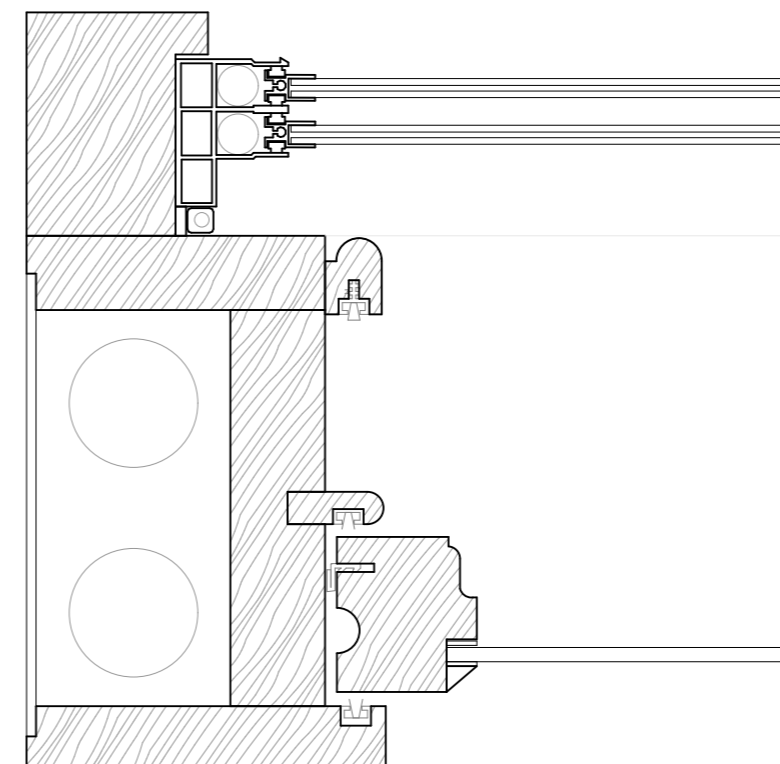
Box Frame - Side View as Existing 1:2



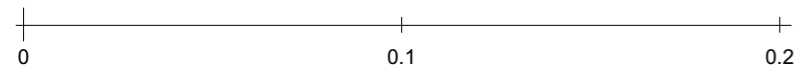
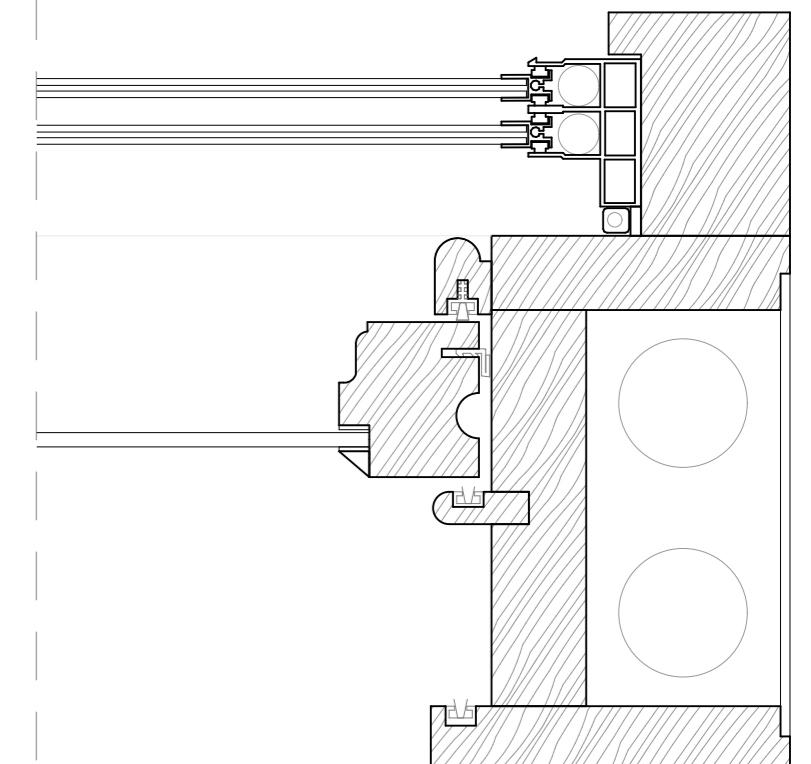
W01 as Existing 1:20



Glazing Bar Detail as Existing 1:2



Box Frame - Top View as Existing 1:2



Scale:
1:2 @ A3

Date:
March / 2018

Drawing Status:
Planning

Rev:
A

Drawn By:
FS

Drawing Number:
A (0) 02

Project Title:
Flat 2, 13 Shelton Street London WC2H 9JN

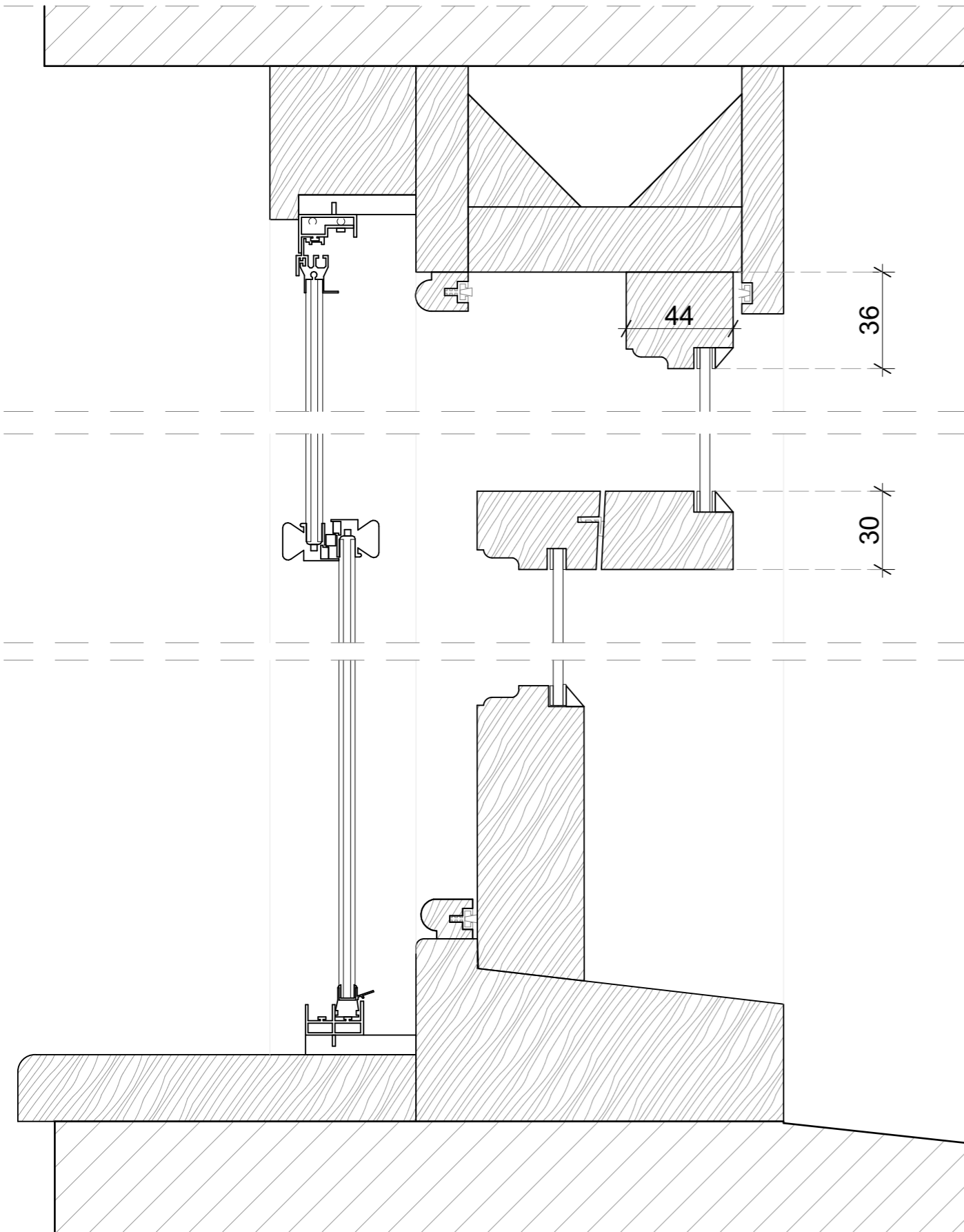
Drawing Title:
Secondary Glazing W01 Details as Existing

GK Architects Limited | London Office
Nidry Lodge | 51 Holland Street | London W8 7JB
T: 0203 280 3630 E: office@gkarchitects.co.uk

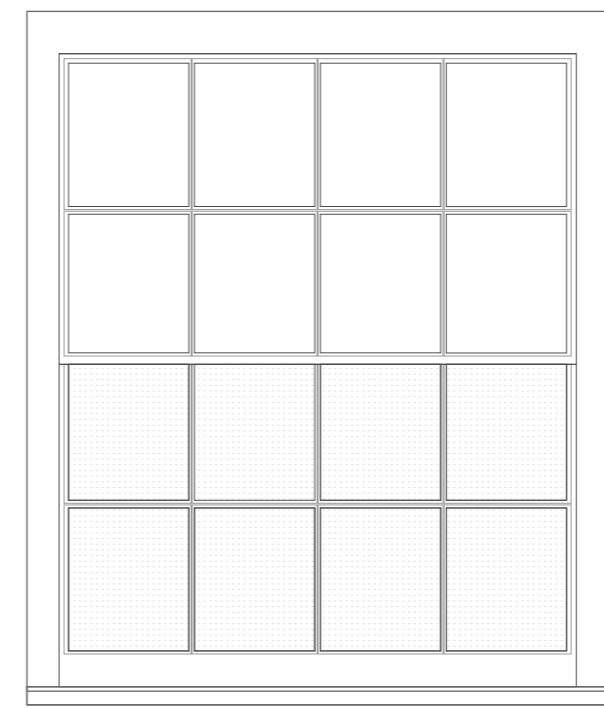
GK Architects Limited | Newcastle Office
Clavering House | Clavering Place | Newcastle upon Tyne NE1 3NG
T: 0191 666 0196 E: office@gkarchitects.co.uk

RIBA CHARTERED PRACTICE WWW.GKARCHITECTS.CO.UK

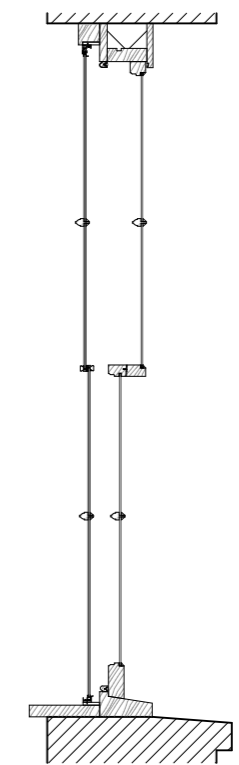




Box Frame - Side View as Existing 1:2



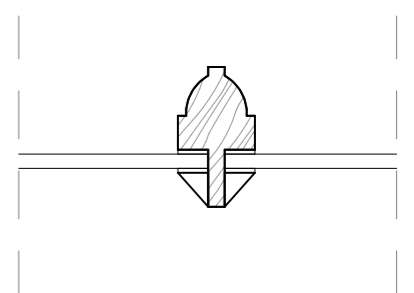
W02 as Existing 1:20



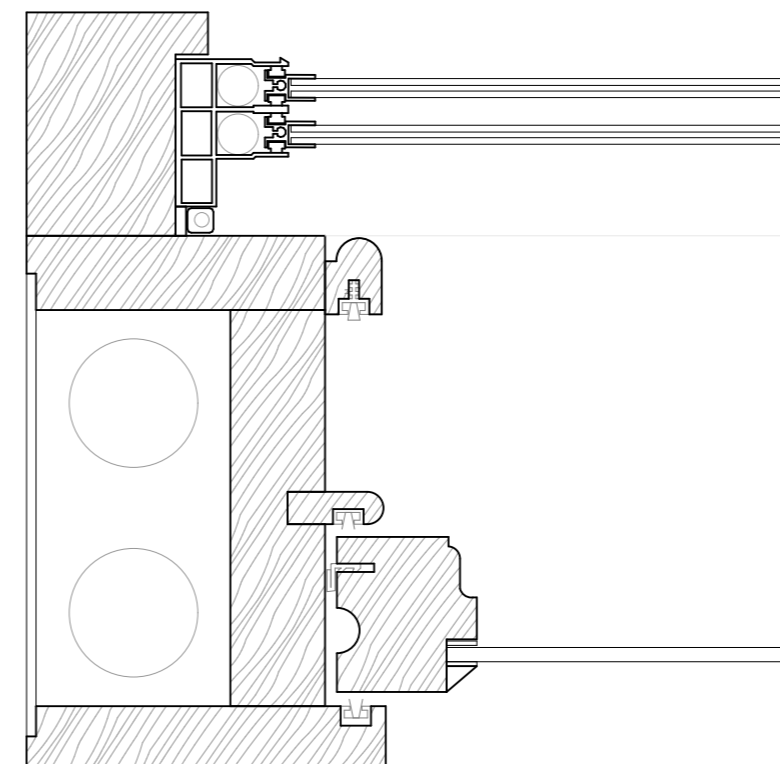
1:20

All dimensions to be checked on site. DO NOT SCALE FROM DRAWING. Discrepancies ambiguities and/or omissions between this drawing and information given elsewhere must be reported to the Architect immediately before proceeding. THIS DRAWING IS COPYRIGHT.

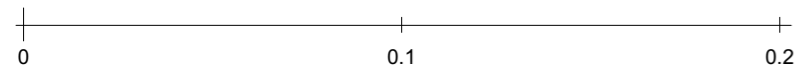
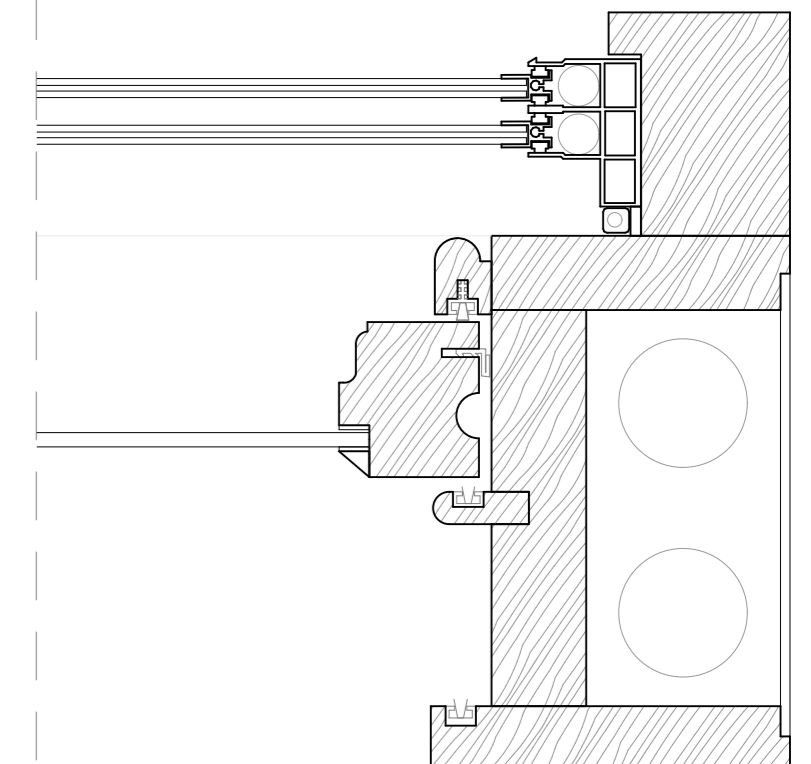
Revision	Description	Date
A	Details Updated	19/06/18



Glazing Bar Detail as Existing 1:2



Box Frame - Top View as Existing 1:2



Scale:
1:2 @ A3

Date:
March / 2018

Drawing Status:
Planning

Rev:
A

Drawn By:
FS

Drawing Number:
A (0) 03

Project Title:
Flat 2, 13 Shelton Street London WC2H 9JN

Drawing Title:
Secondary Glazing W02 Details as Existing

GK Architects Limited | London Office
Nidry Lodge | 51 Holland Street | London W8 7JB
T: 0203 280 3630 E: office@gkarchitects.co.uk

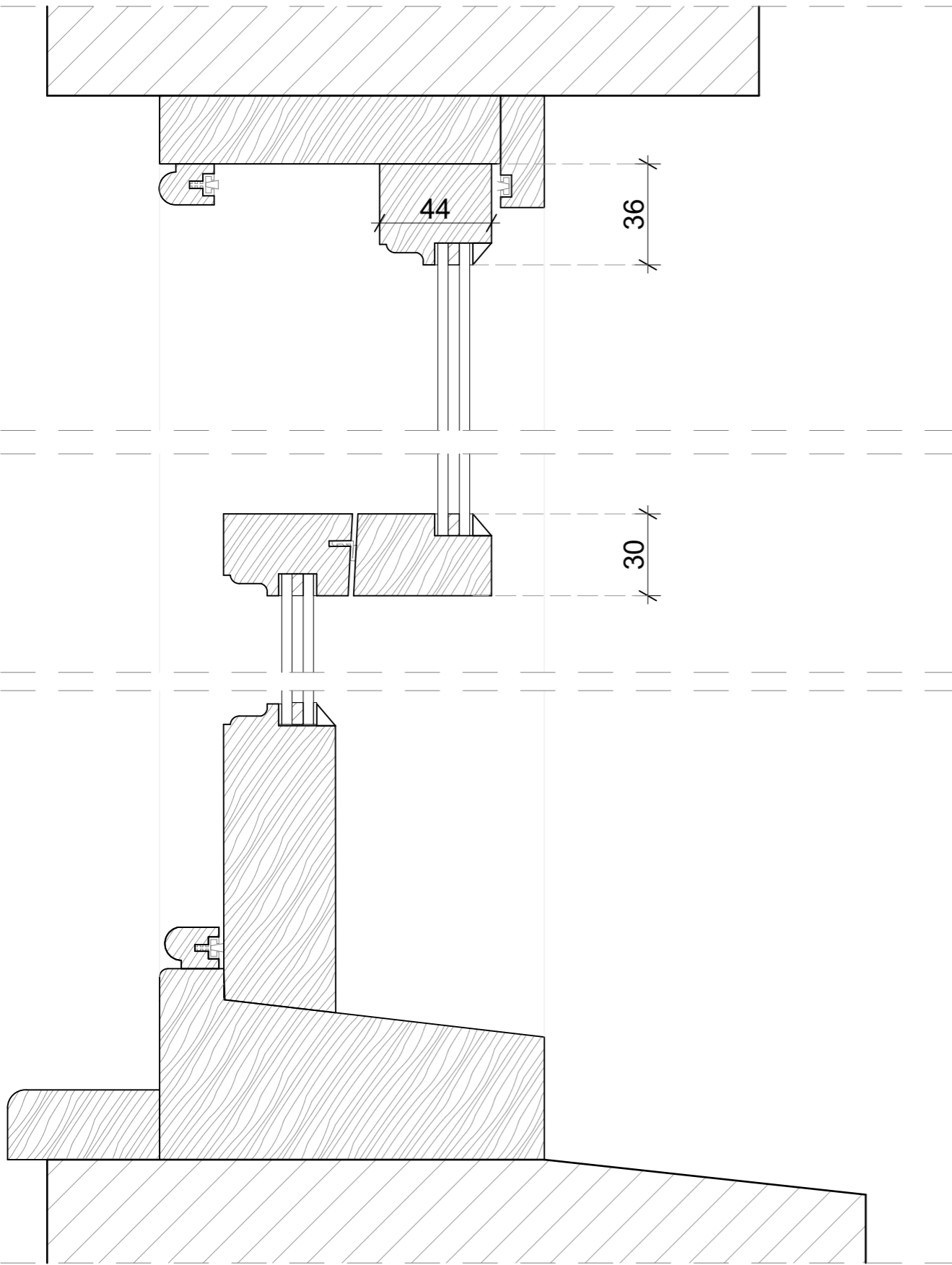
GK Architects Limited | Newcastle Office
Clavering House | Clavering Place | Newcastle upon Tyne NE1 3NG
T: 0191 666 0196 E: office@gkarchitects.co.uk

RIBA CHARTERED PRACTICE WWW.GKARCHITECTS.CO.UK

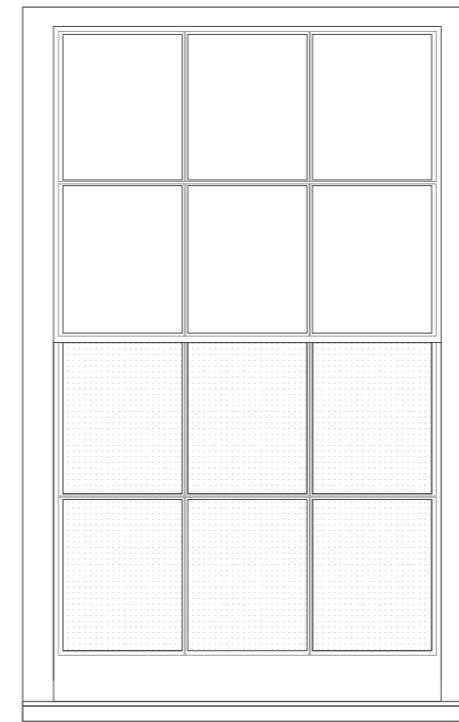


All dimensions to be checked on site. DO NOT SCALE FROM DRAWING. Discrepancies ambiguities and/or omissions between this drawing and information given elsewhere must be reported to the Architect immediately before proceeding. THIS DRAWING IS COPYRIGHT.

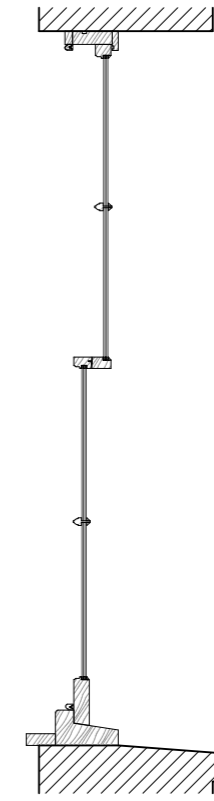
Revision	Description	Date
A	Details Updated	19/06/18



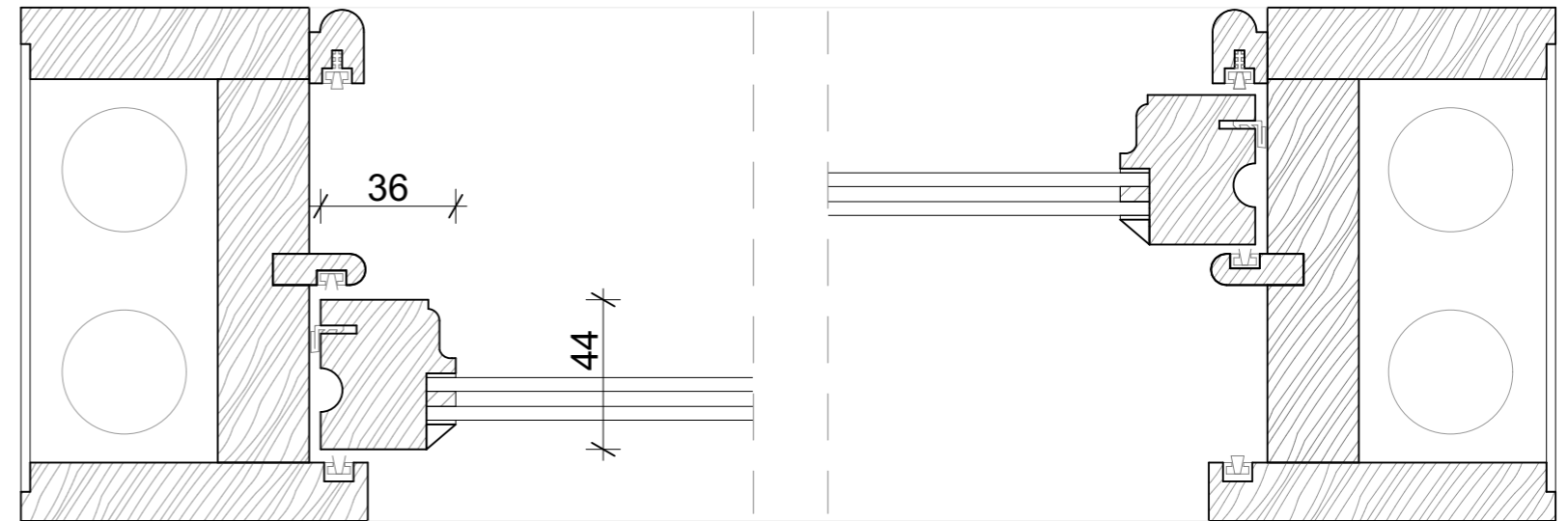
Box Frame - Side View as Existing 1:2



W03 as Existing

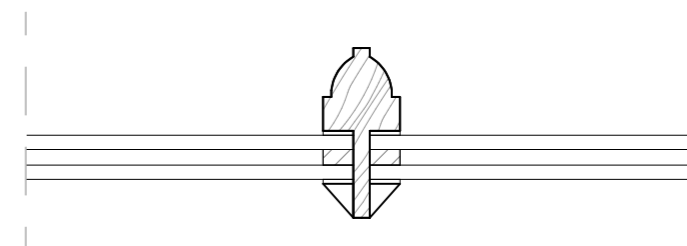


1:20



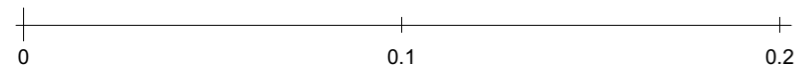
Box Frame - Top View as Existing

1:2



Glazing Bar Detail as Existing

1:2



Scale: 1:2 @ A3
 Date: March / 2018
 Drawing Status: Planning
 Rev: A
 Drawn By: FS
 Drawing Number: A (0) 04

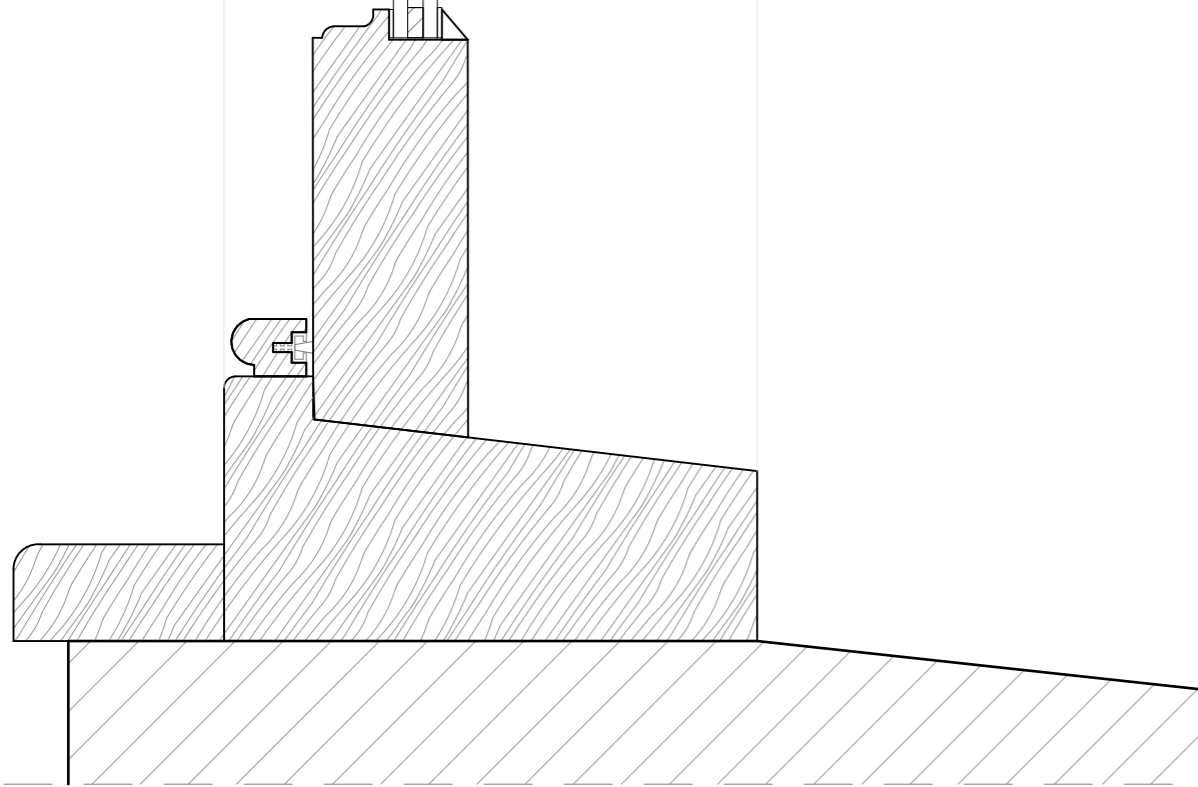
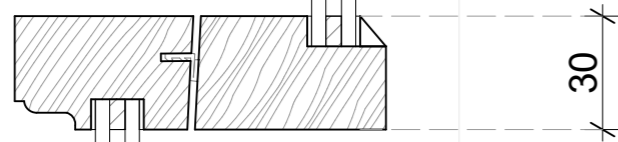
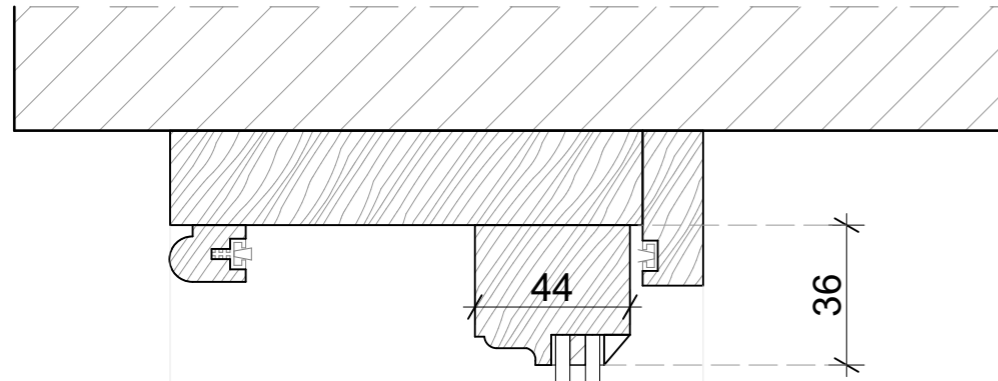
Project Title: Flat 2, 13 Shelton Street London WC2H 9JN
 Drawing Title: Window W03 Details as Existing

GK Architects Limited | London Office
 Niddy Lodge | 51 Holland Street | London W8 7JB
 T: 0203 280 3630 E: office@gkarchitects.co.uk
 GK Architects Limited | Newcastle Office
 Clavering House | Clavering Place | Newcastle upon Tyne NE1 3NG
 T: 0191 666 0196 E: office@gkarchitects.co.uk
 RIBA CHARTERED PRACTICE WWW.GKARCHITECTS.CO.UK

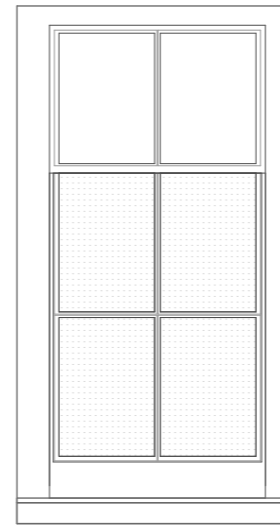


All dimensions to be checked on site. DO NOT SCALE FROM DRAWING. Discrepancies ambiguities and/or omissions between this drawing and information given elsewhere must be reported to the Architect immediately before proceeding. THIS DRAWING IS COPYRIGHT.

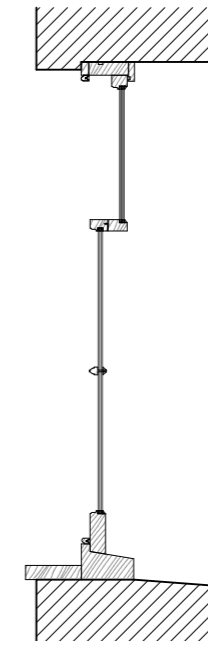
Revision	Description	Date
A	Details Updated	19/06/18



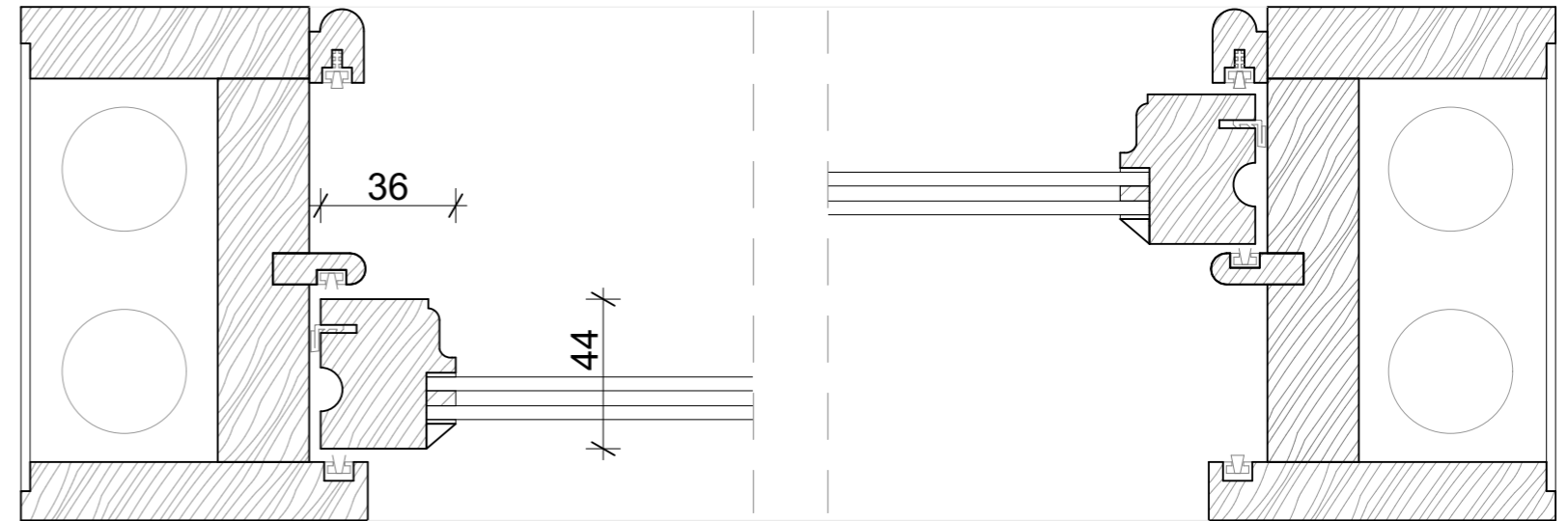
Box Frame - Side View as Existing 1:2



W04 as Existing

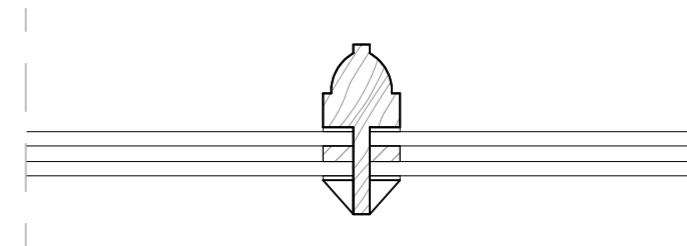


1:20



Box Frame - Top View as Existing

1:2



Glazing Bar Detail as Existing

1:2

Scale:
1:2 @ A3

Date:
March / 2018

Drawing Status:
Planning

Rev:
A

Drawn By:
FS

Drawing Number:
A (0) 05

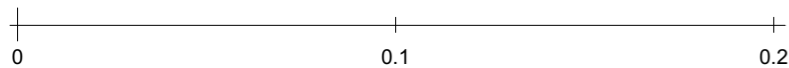
Project Title:
Flat 2, 13 Shelton Street London WC2H 9JN

Drawing Title:
Window W04 Details as Existing

GK Architects Limited | London Office
Nidry Lodge | 51 Holland Street | London W8 7JB
T: 0203 280 3630 E: office@gkarchitects.co.uk

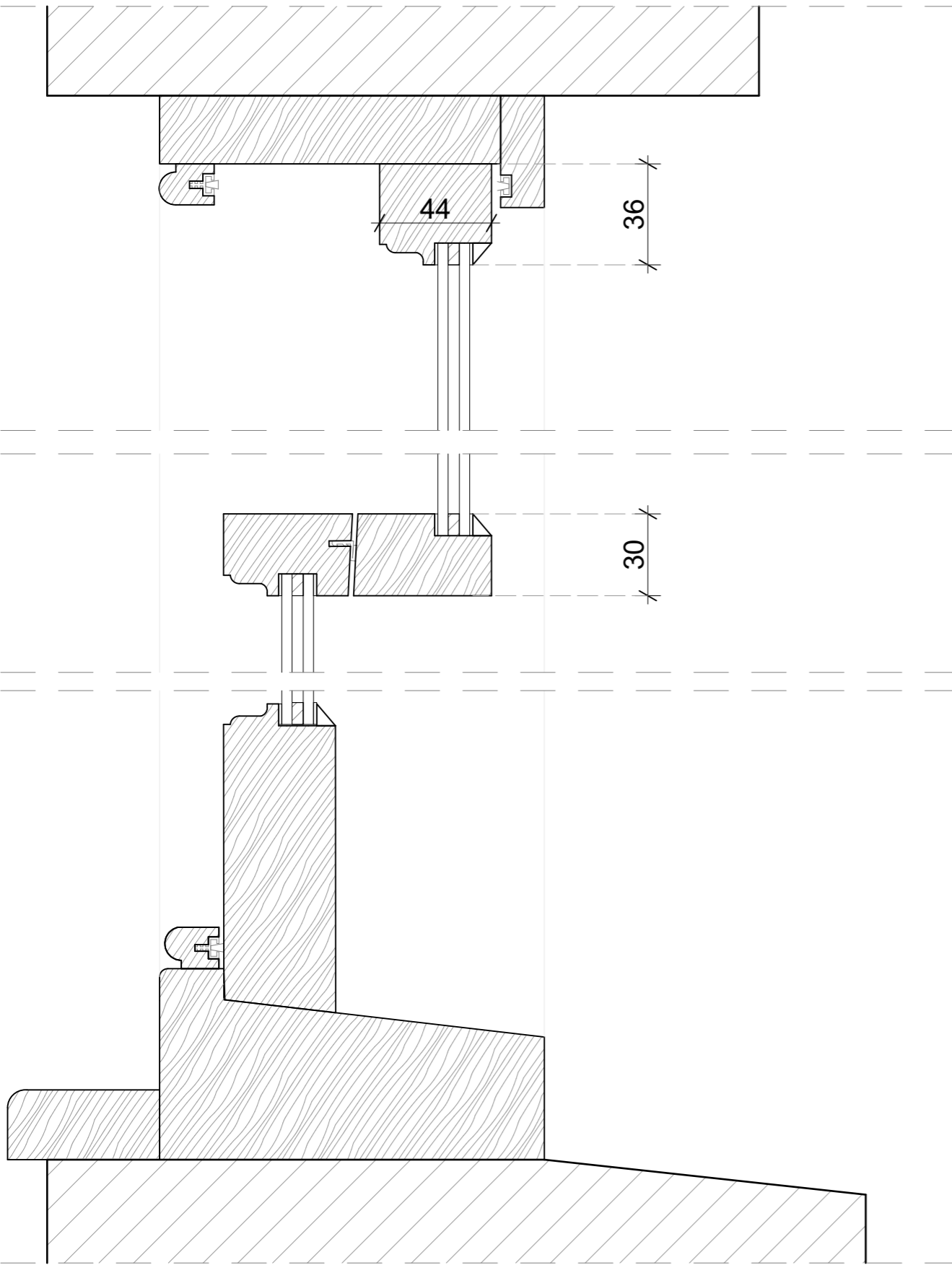
GK Architects Limited | Newcastle Office
Clavering House | Clavering Place | Newcastle upon Tyne NE1 3NG
T: 0191 666 0196 E: office@gkarchitects.co.uk

RIBA CHARTERED PRACTICE WWW.GKARCHITECTS.CO.UK

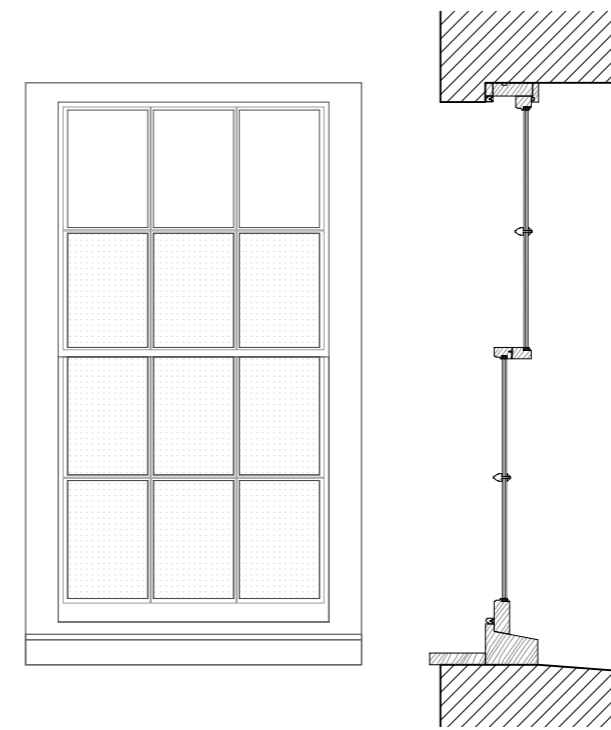


All dimensions to be checked on site. DO NOT SCALE FROM DRAWING. Discrepancies ambiguities and/or omissions between this drawing and information given elsewhere must be reported to the Architect immediately before proceeding. THIS DRAWING IS COPYRIGHT.

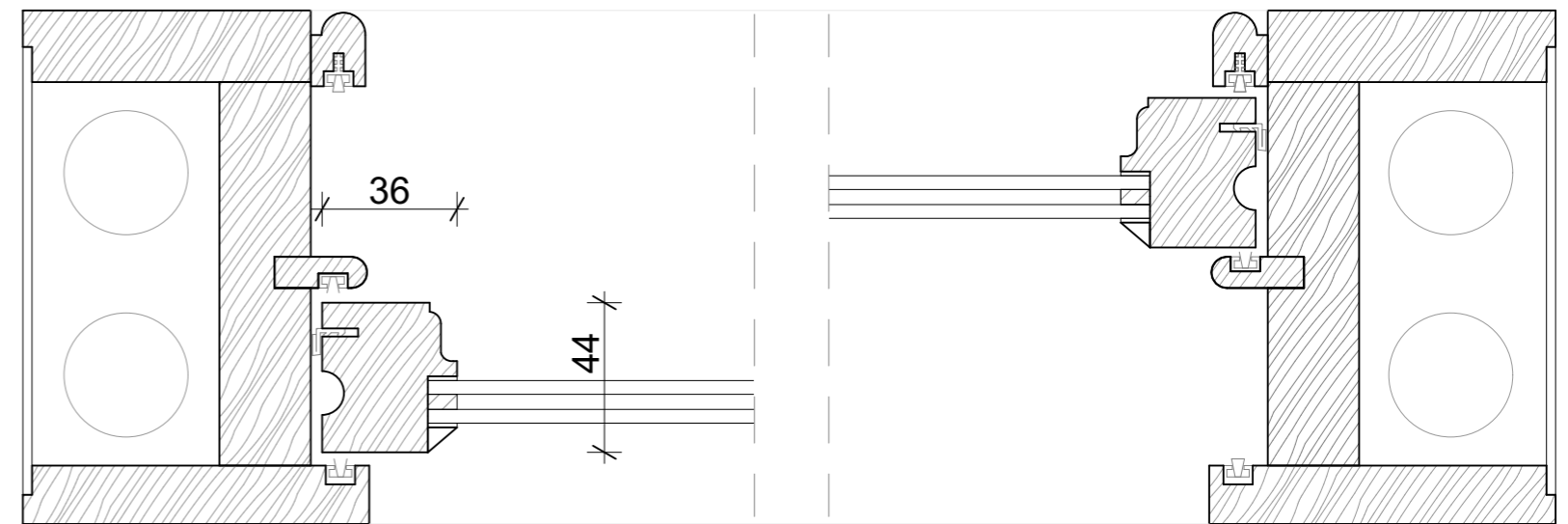
Revision	Description	Date
A	Details Updated	19/06/18



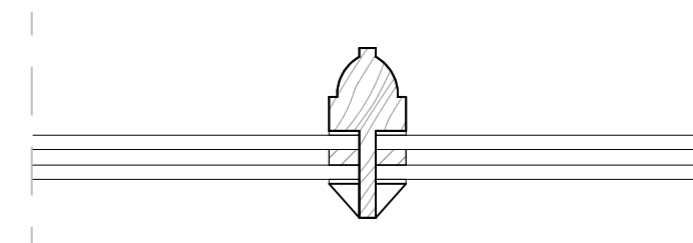
Box Frame - Side View as Existing 1:2



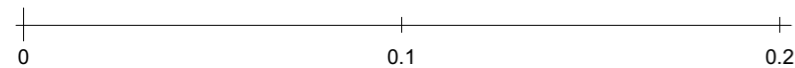
W05 as Existing 1:20



Box Frame - Top View as Existing 1:2



Glazing Bar Detail as Existing 1:2



Scale: 1:2 @ A3
 Date: March / 2018
 Drawing Status: Planning
 Rev: A
 Drawn By: FS
 Drawing Number: A (0) 06

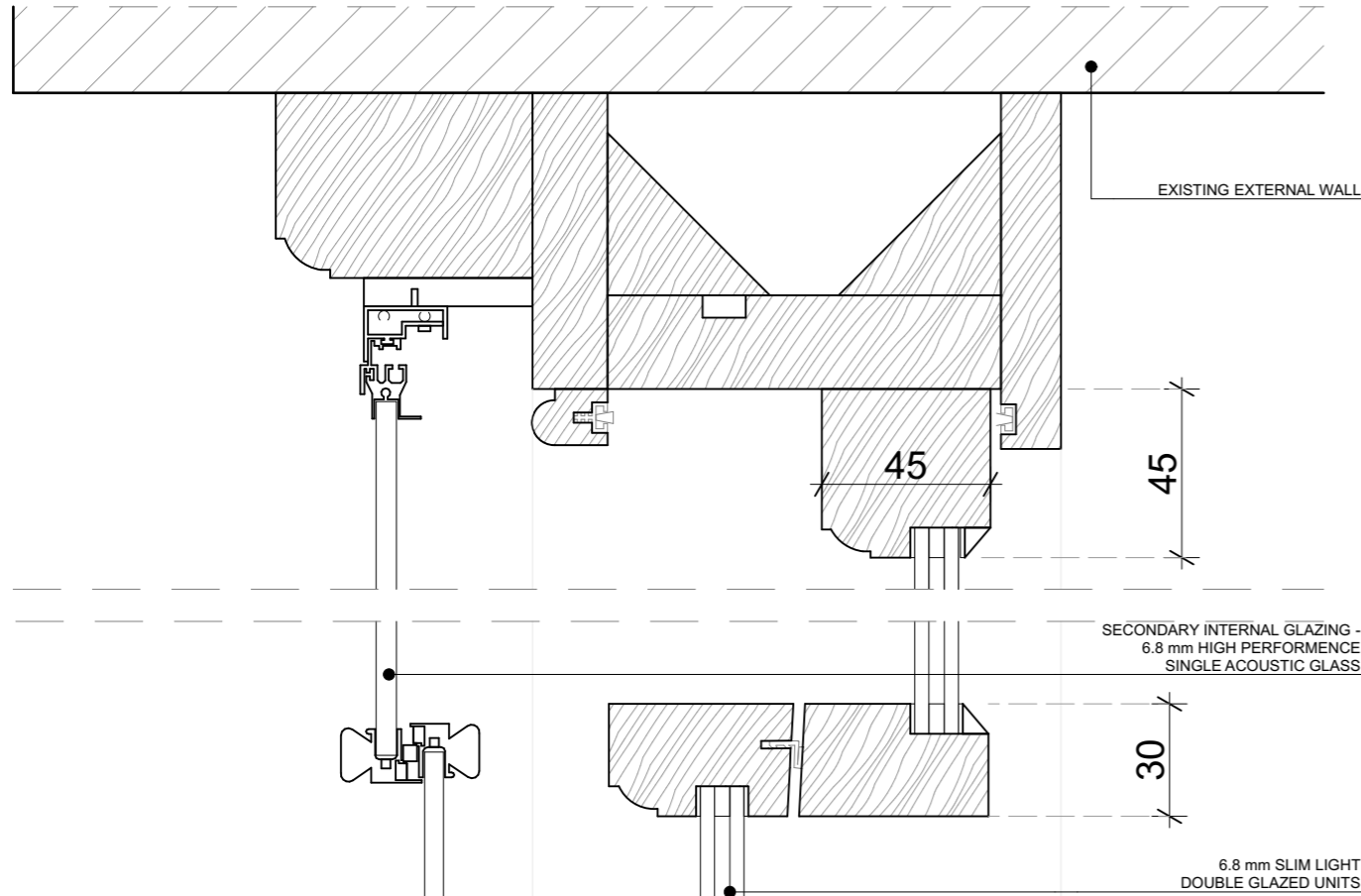
Project Title: Flat 2, 13 Shelton Street London WC2H 9JN
 Drawing Title: Window W05 Details as Existing

GK Architects Limited | London Office
 Niddy Lodge | 51 Holland Street | London W8 7JB
 T: 0203 280 3630 E: office@gkarchitects.co.uk
 GK Architects Limited | Newcastle Office
 Clavering House | Clavering Place | Newcastle upon Tyne NE1 3NG
 T: 0191 666 0196 E: office@gkarchitects.co.uk
 RIBA CHARTERED PRACTICE WWW.GKARCHITECTS.CO.UK



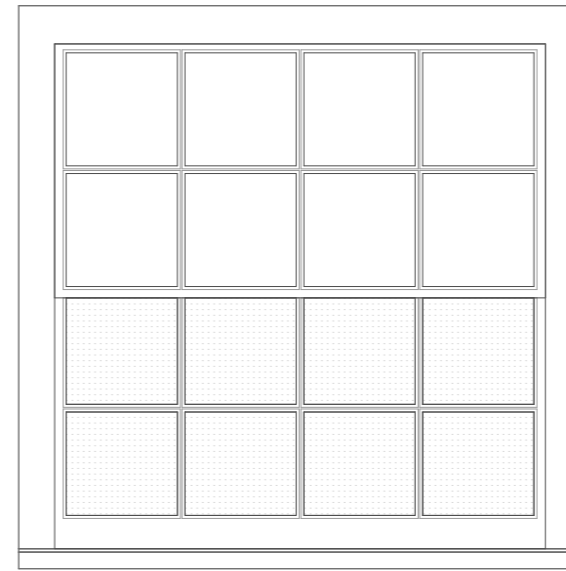
All dimensions to be checked on site. DO NOT SCALE FROM DRAWING. Discrepancies ambiguities and/or omissions between this drawing and information given elsewhere must be reported to the Architect immediately before proceeding. THIS DRAWING IS COPYRIGHT.

Revision	Description	Date
A	Details Updated	19/06/18



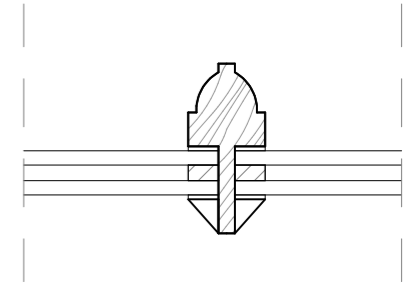
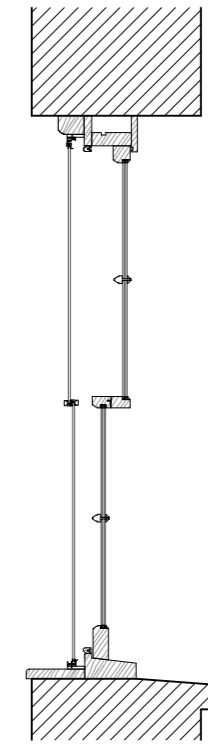
Secondary Glazing - Side View as Proposed

1:2



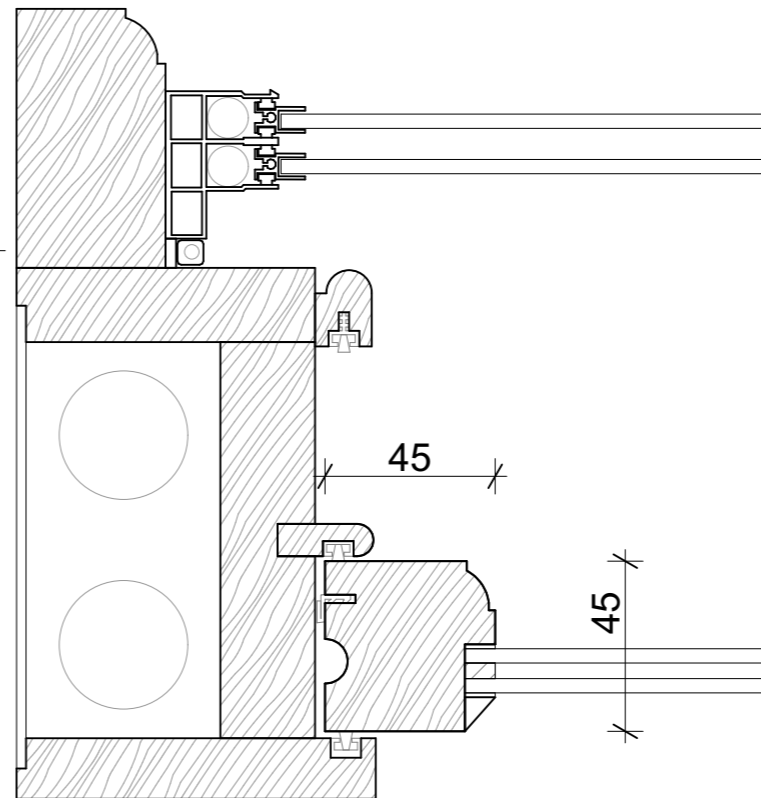
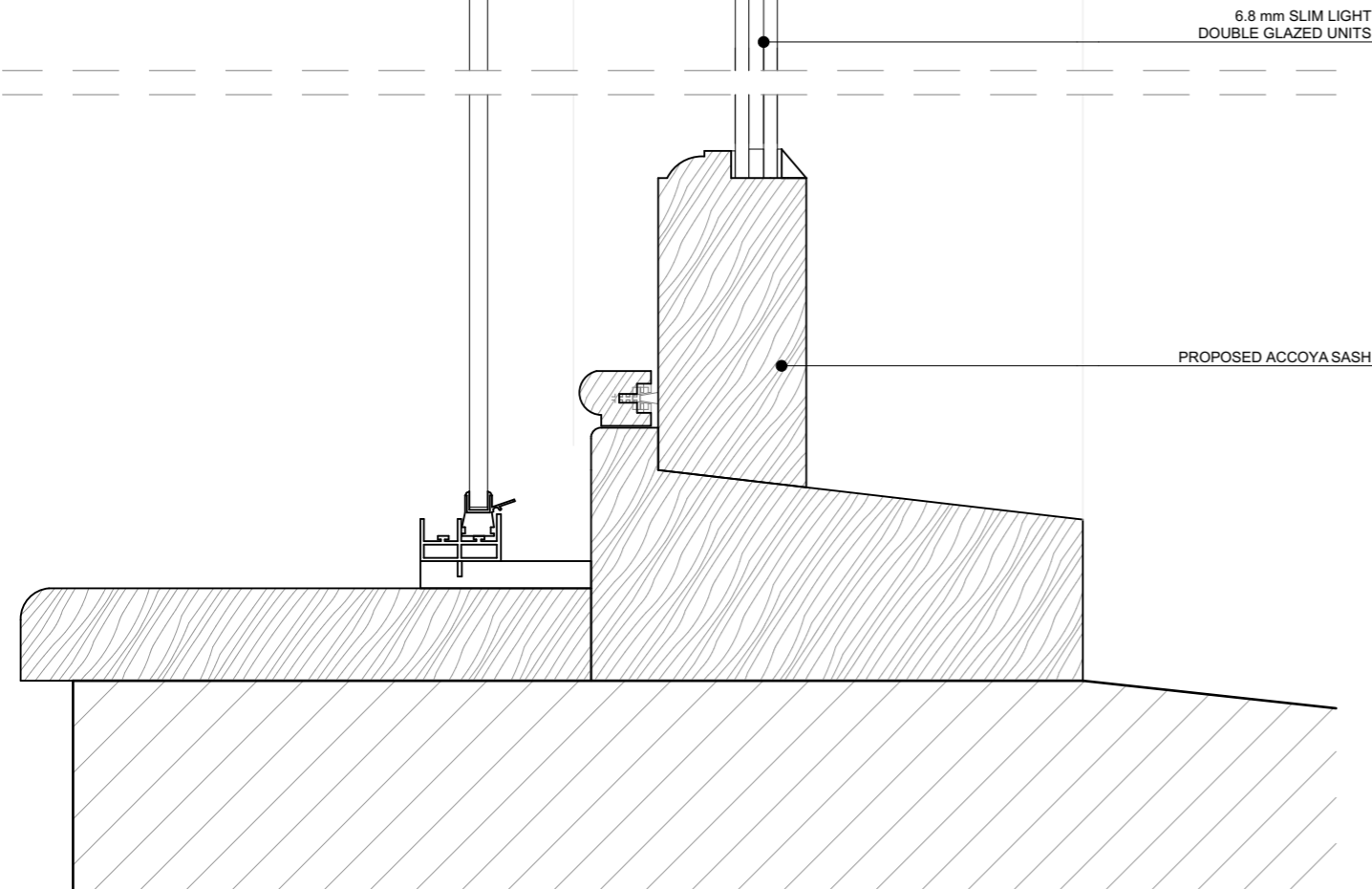
W01 as Proposed

1:20



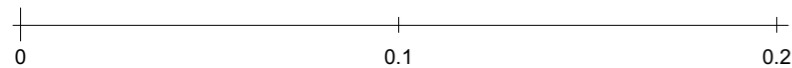
Glazing Bar Detail as Proposed

1:2



Box Frame - Top View as Proposed

1:2



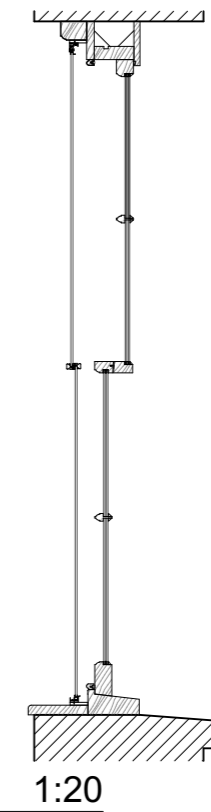
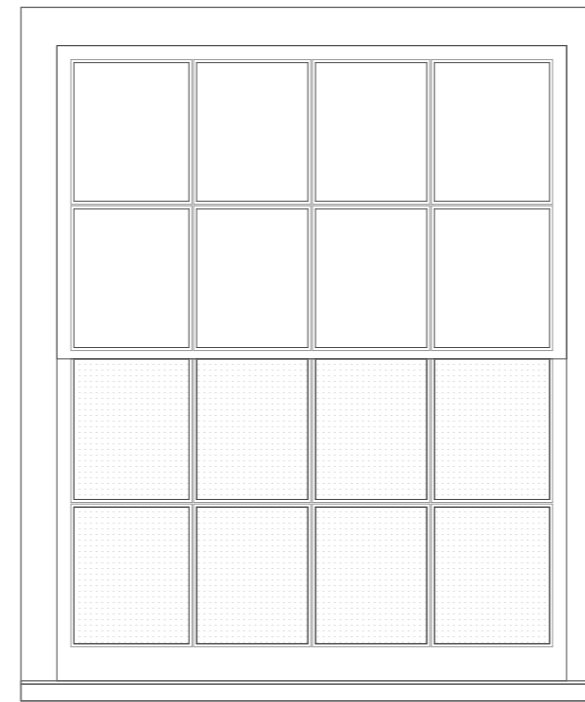
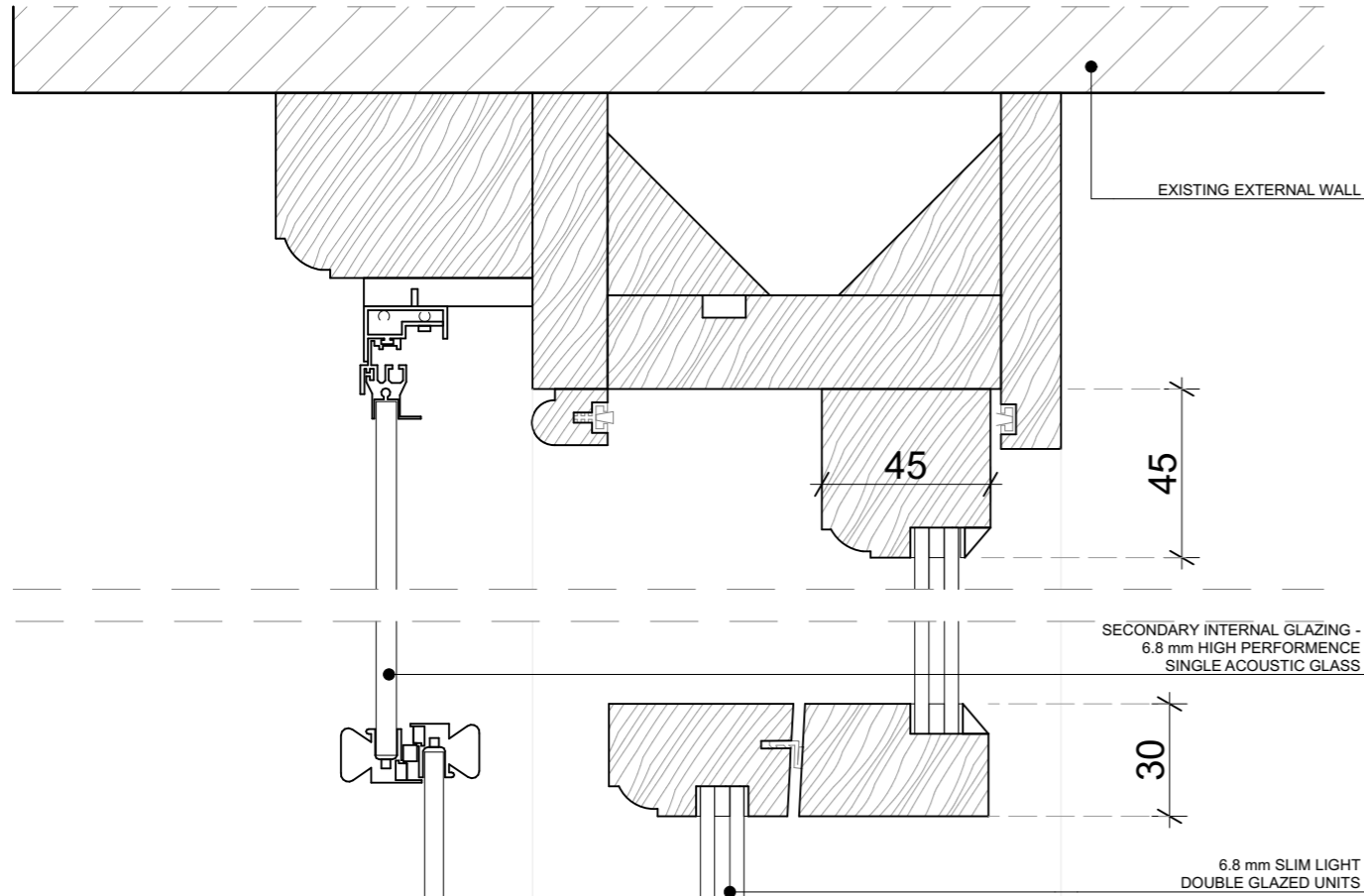
Scale: 1:2 @ A3
 Date: March / 2018
 Rev: A
 Drawn By: FS

Drawing Status: Planning
 Drawing Number: A (0) 07

Project Title: Flat 2, 13 Shelton Street London WC2H 9JN
 Drawing Title: Secondary Glazing W01 Details as Proposed

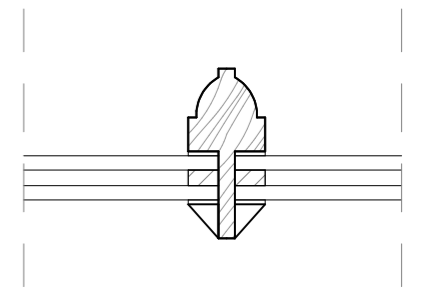
GK Architects Limited | London Office
 Nidry Lodge | 51 Holland Street | London W8 7JB
 T: 0203 280 3630 E: office@gkarchitects.co.uk
 GK Architects Limited | Newcastle Office
 Clavering House | Clavering Place | Newcastle upon Tyne NE1 3NG
 T: 0191 666 0196 E: office@gkarchitects.co.uk
 RIBA CHARTERED PRACTICE WWW.GKARCHITECTS.CO.UK



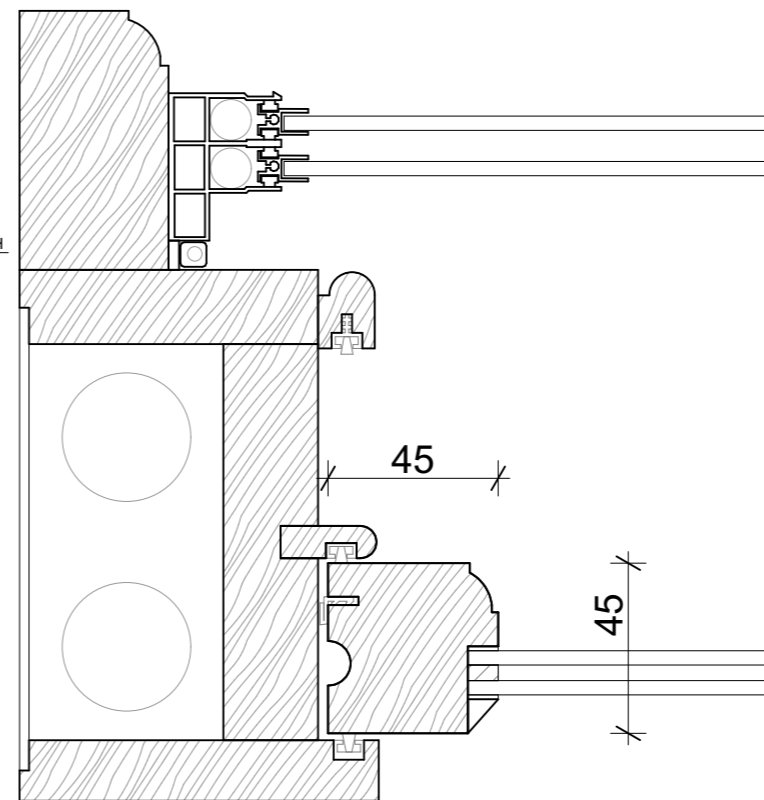
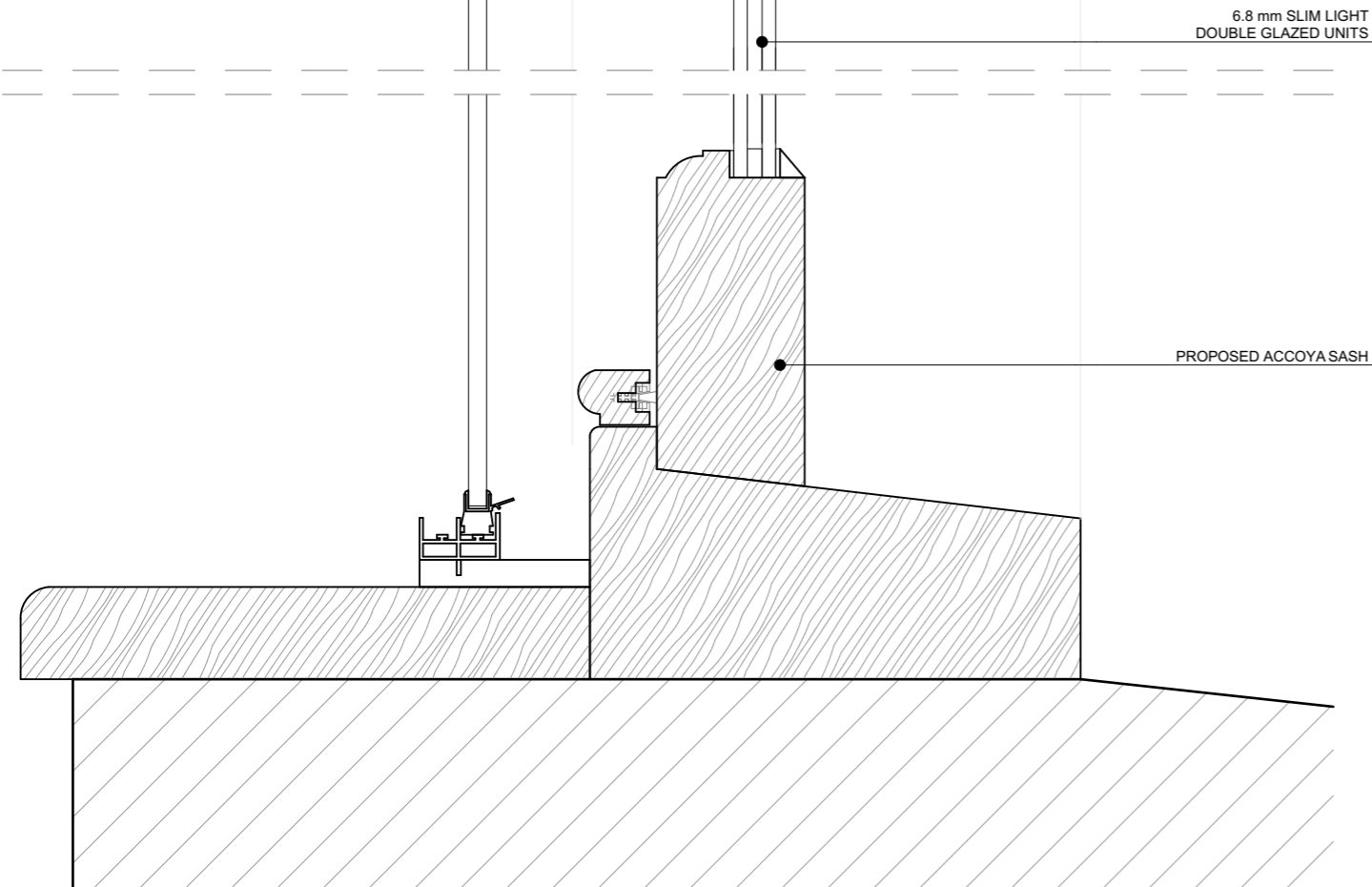


All dimensions to be checked on site. DO NOT SCALE FROM DRAWING.
Discrepancies ambiguities and/or omissions between this drawing and
information given elsewhere must be reported to the Architect immediately
before proceeding. THIS DRAWING IS COPYRIGHT.

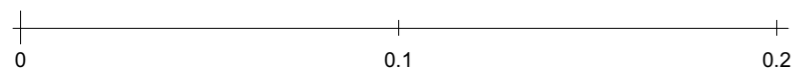
Revision	Description	Date
A	Details Updated	19/06/18



Glazing Bar
Detail as
Proposed 1:2



Box Frame - Top View as Proposed 1:2



Scale:
1:2 @ A3

Date:
March / 2018

Rev:
A

Drawing Status:
Planning

Drawn By:
FS

Drawing Number:
A (0) 08

Project Title:
Flat 2, 13 Shelton Street London WC2H 9JN

Drawing Title:
Secondary Glazing W02 Details as Proposed

GK Architects Limited | London Office
Nidry Lodge | 51 Holland Street | London W8 7JB
T: 0203 280 3630 E: office@gkarchitects.co.uk

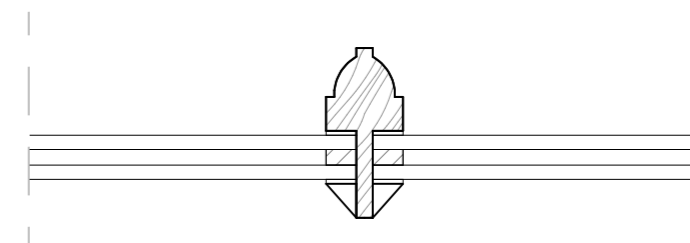
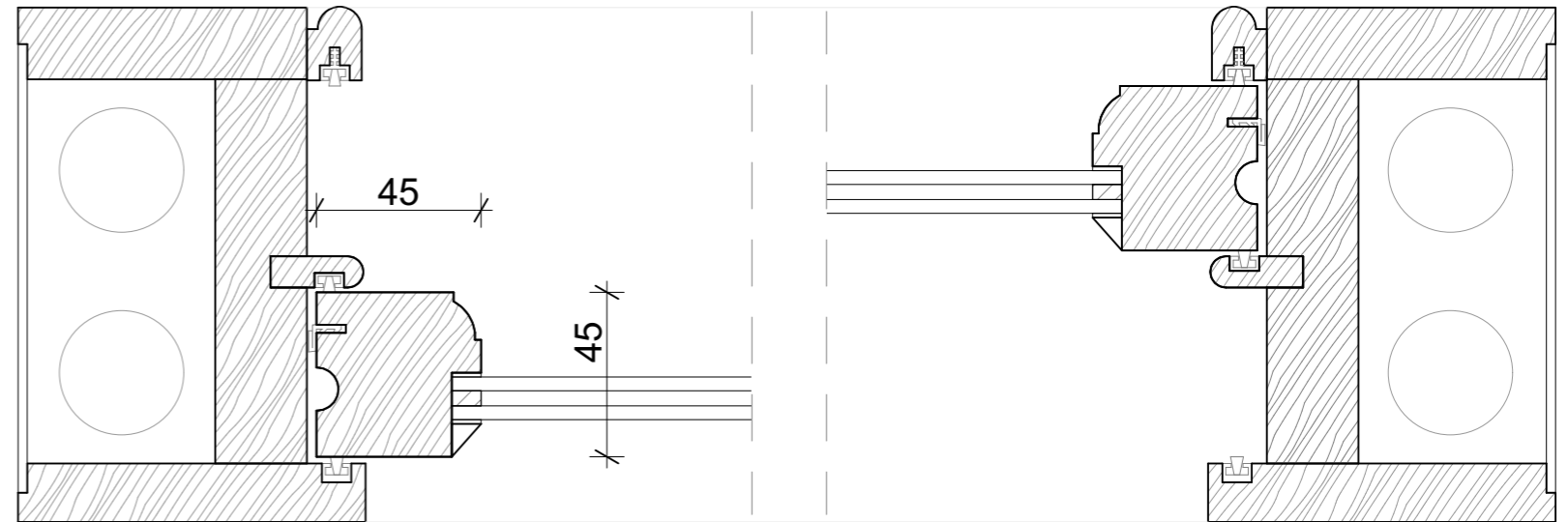
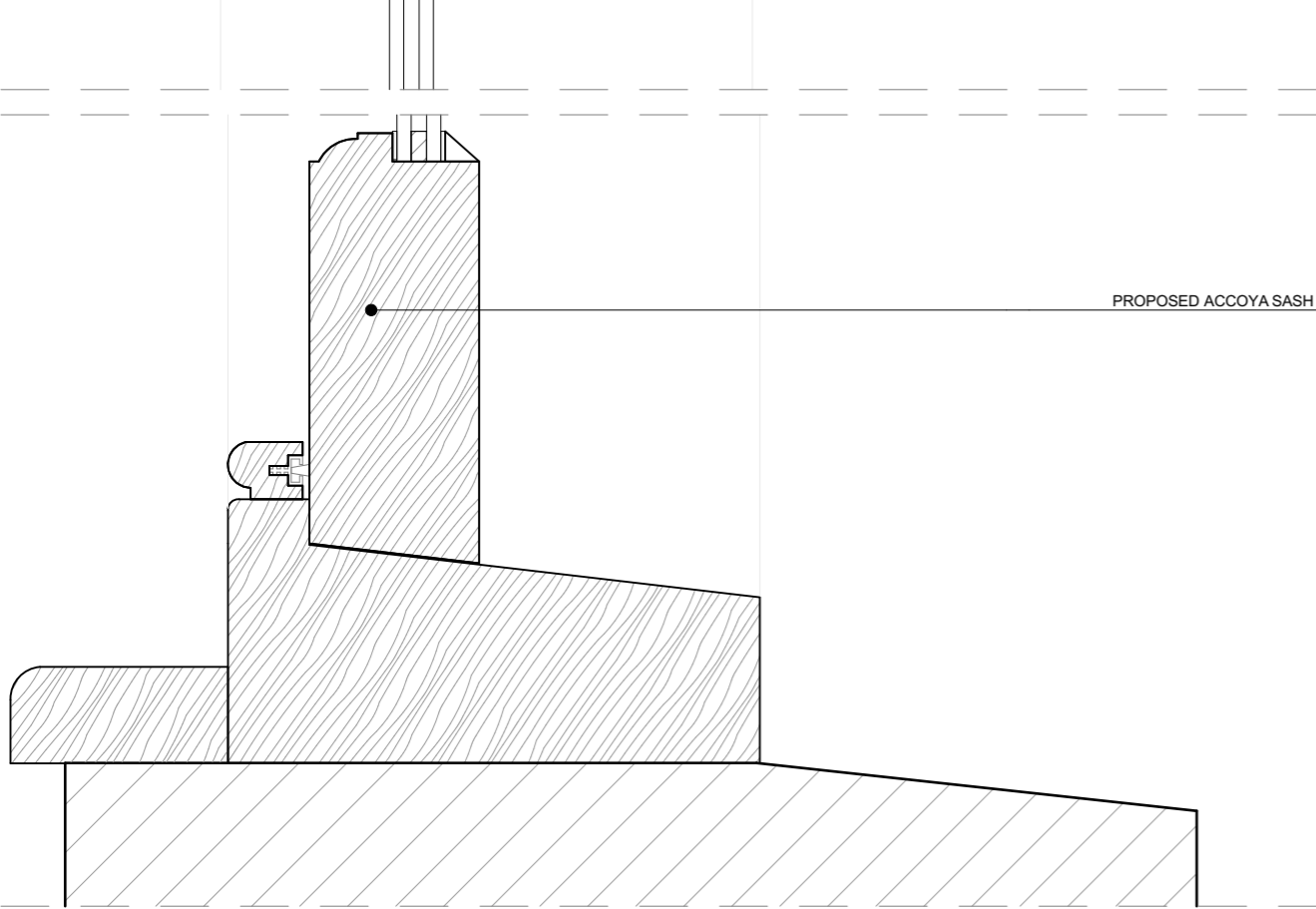
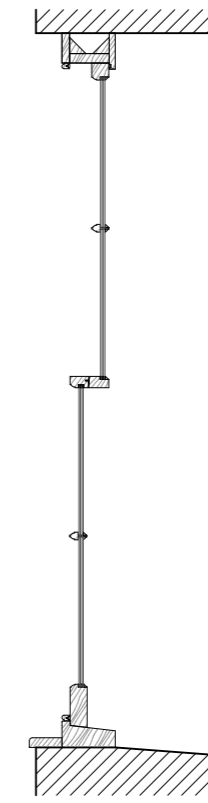
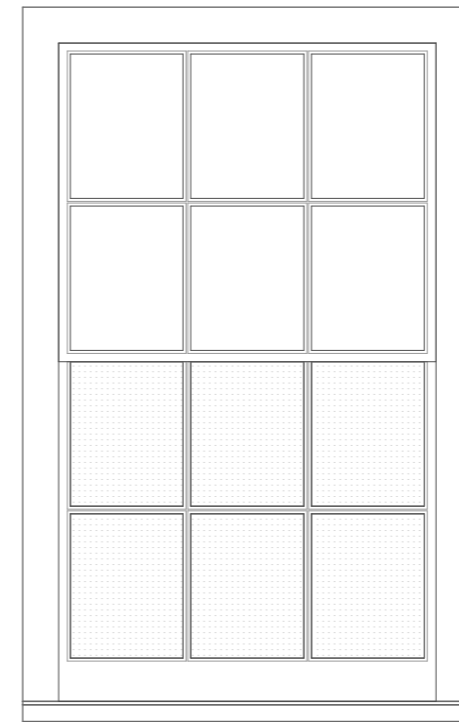
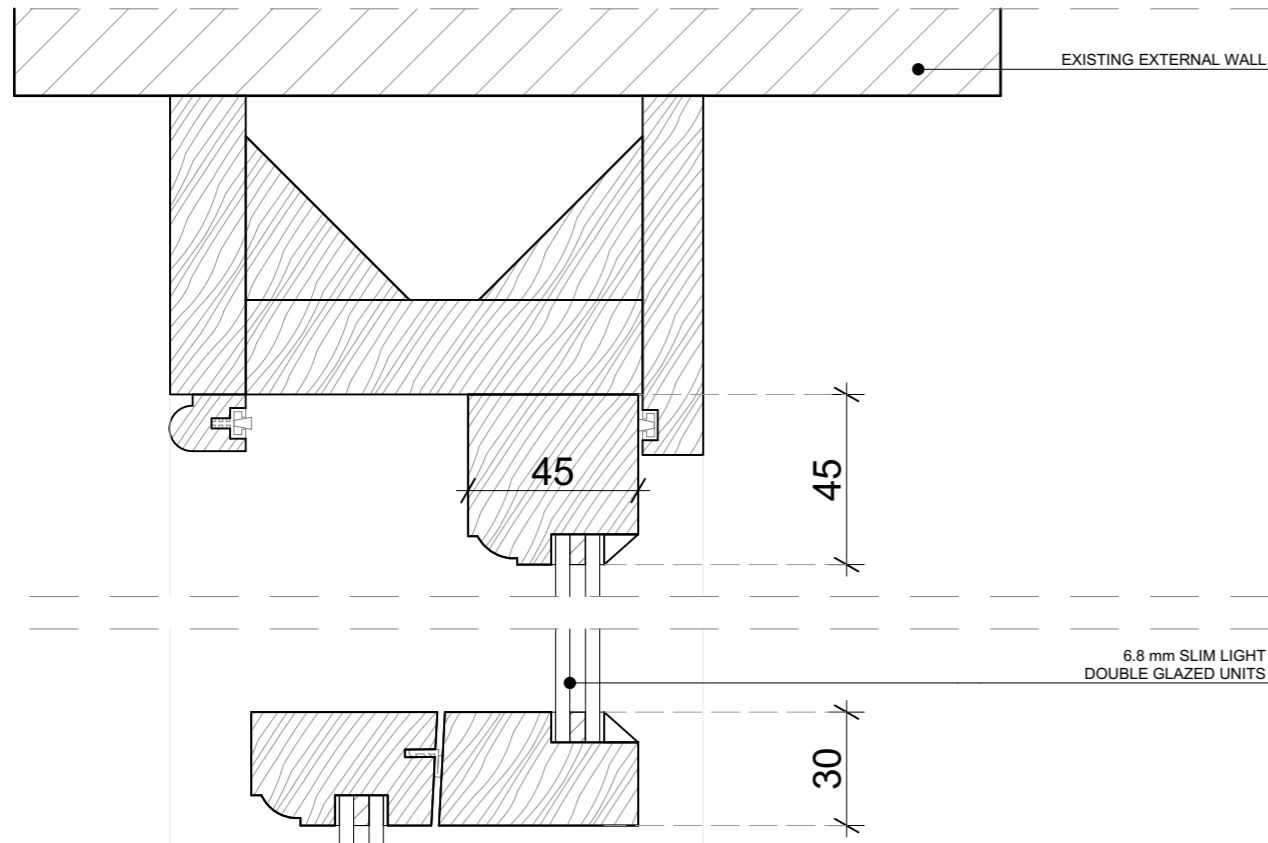
GK Architects Limited | Newcastle Office
Clavering House | Clavering Place | Newcastle upon Tyne NE1 3NG
T: 0191 666 0196 E: office@gkarchitects.co.uk

RIBA CHARTERED PRACTICE WWW.GKARCHITECTS.CO.UK



All dimensions to be checked on site. DO NOT SCALE FROM DRAWING. Discrepancies ambiguities and/or omissions between this drawing and information given elsewhere must be reported to the Architect immediately before proceeding. THIS DRAWING IS COPYRIGHT.

Revision	Description	Date
A	Details Updated	19/06/18



Box Frame - Side View as Proposed 1:2

Box Frame - Top View as Proposed 1:2

Glazing Bar Detail as Proposed 1:2

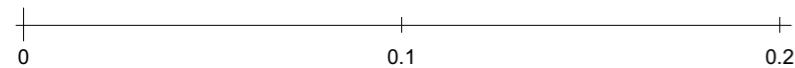
Scale: 1:2 @ A3
 Date: March / 2018
 Drawing Status: Planning
 Rev: A
 Drawn By: FS
 Drawing Number: A (0) 09

Project Title: Flat 2, 13 Shelton Street London WC2H 9JN
 Drawing Title: Window W03 Details as Proposed

GK Architects Limited | London Office
 Niddy Lodge | 51 Holland Street | London W8 7JB
 T: 0203 280 3630 E: office@gkarchitects.co.uk

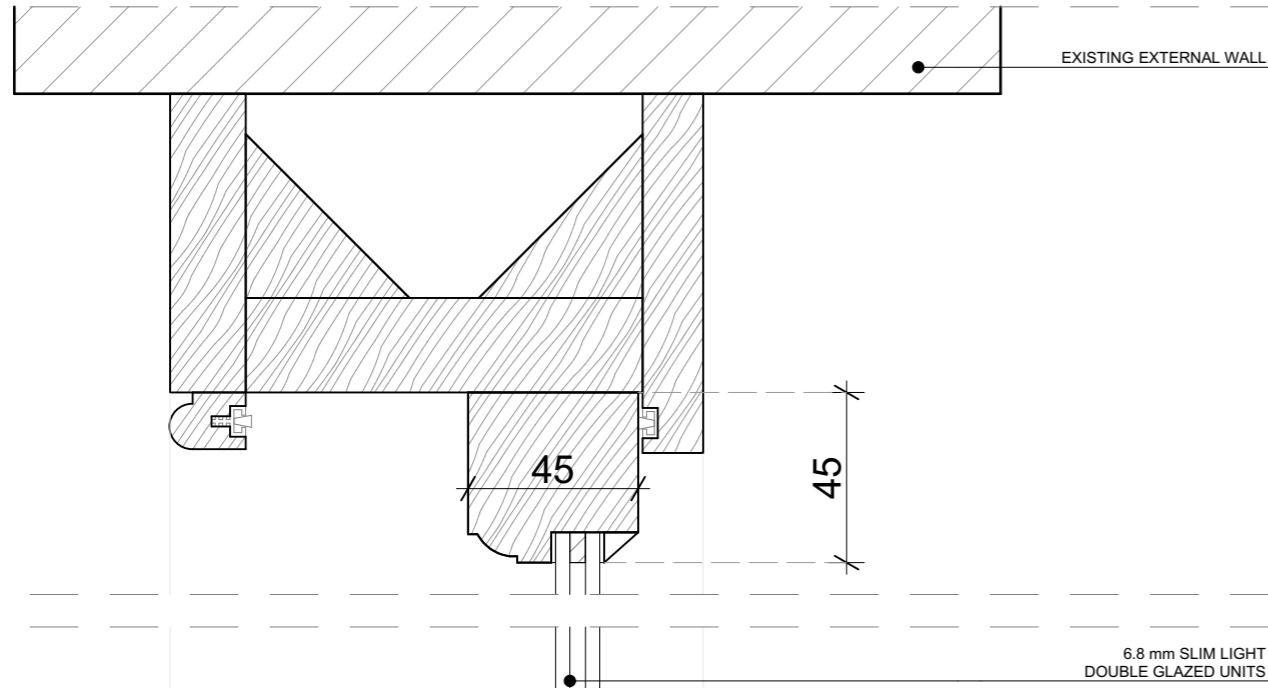
GK Architects Limited | Newcastle Office
 Clavering House | Clavering Place | Newcastle upon Tyne NE1 3NG
 T: 0191 666 0196 E: office@gkarchitects.co.uk

RIBA CHARTERED PRACTICE WWW.GKARCHITECTS.CO.UK



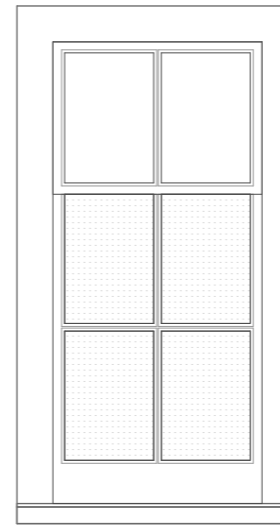
All dimensions to be checked on site. DO NOT SCALE FROM DRAWING. Discrepancies ambiguities and/or omissions between this drawing and information given elsewhere must be reported to the Architect immediately before proceeding. THIS DRAWING IS COPYRIGHT.

Revision	Description	Date
A	Details Updated	19/06/18

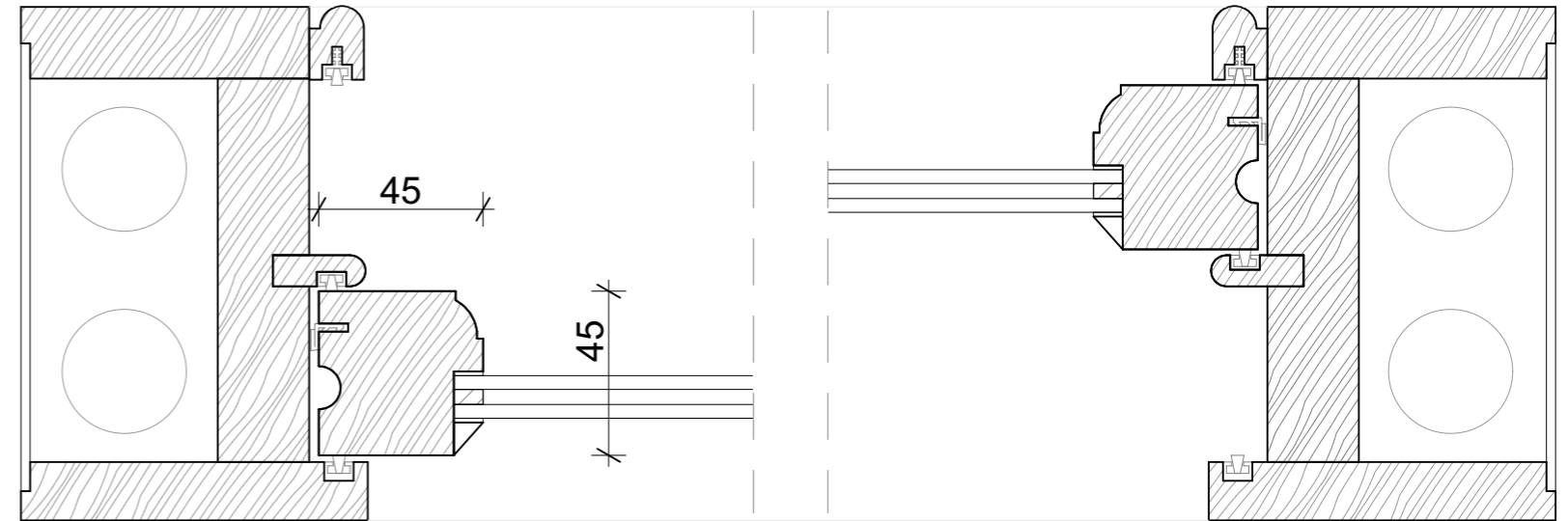


W04 as Proposed

1:20

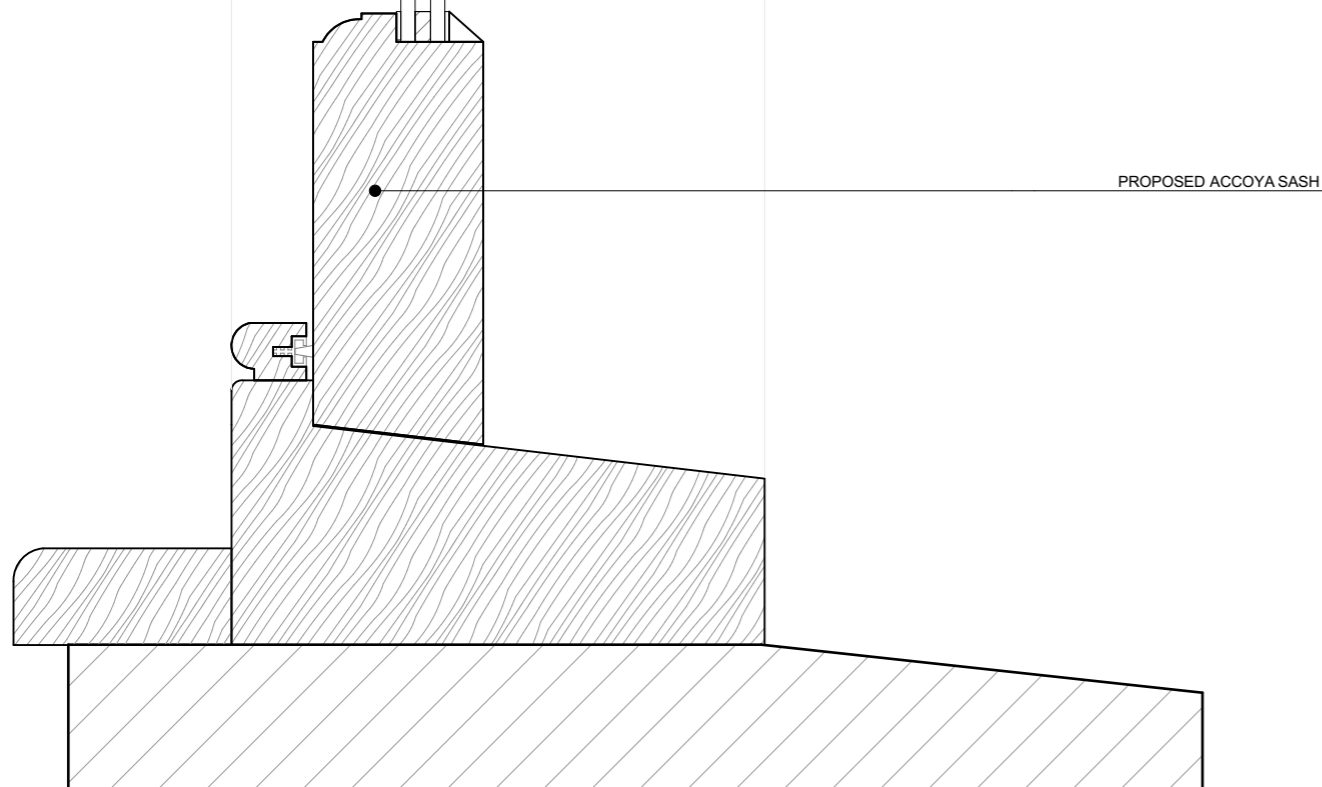


PROPOSED ACCOYA SASH



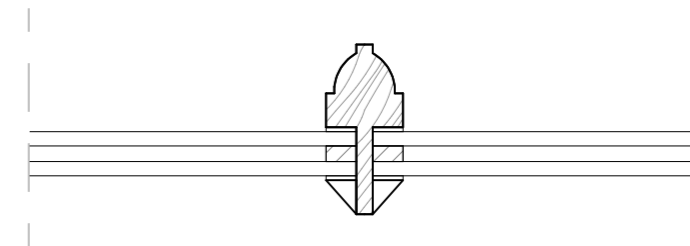
Box Frame - Top View as Proposed

1:2



Box Frame - Side View as Proposed

1:2



Glazing Bar Detail as Proposed

1:2

Scale:
1:2 @ A3

Date:
March / 2018

Drawing Status:
Planning

Rev:
A

Drawn By:
FS

Drawing Number:
A (0) 10

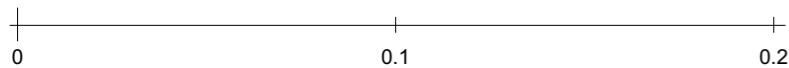
Project Title:
Flat 2, 13 Shelton Street London WC2H 9JN

Drawing Title:
Window W04 Details as Proposed

GK Architects Limited | London Office
Nidry Lodge | 51 Holland Street | London W8 7JB
T: 0203 280 3630 E: office@gkarchitects.co.uk

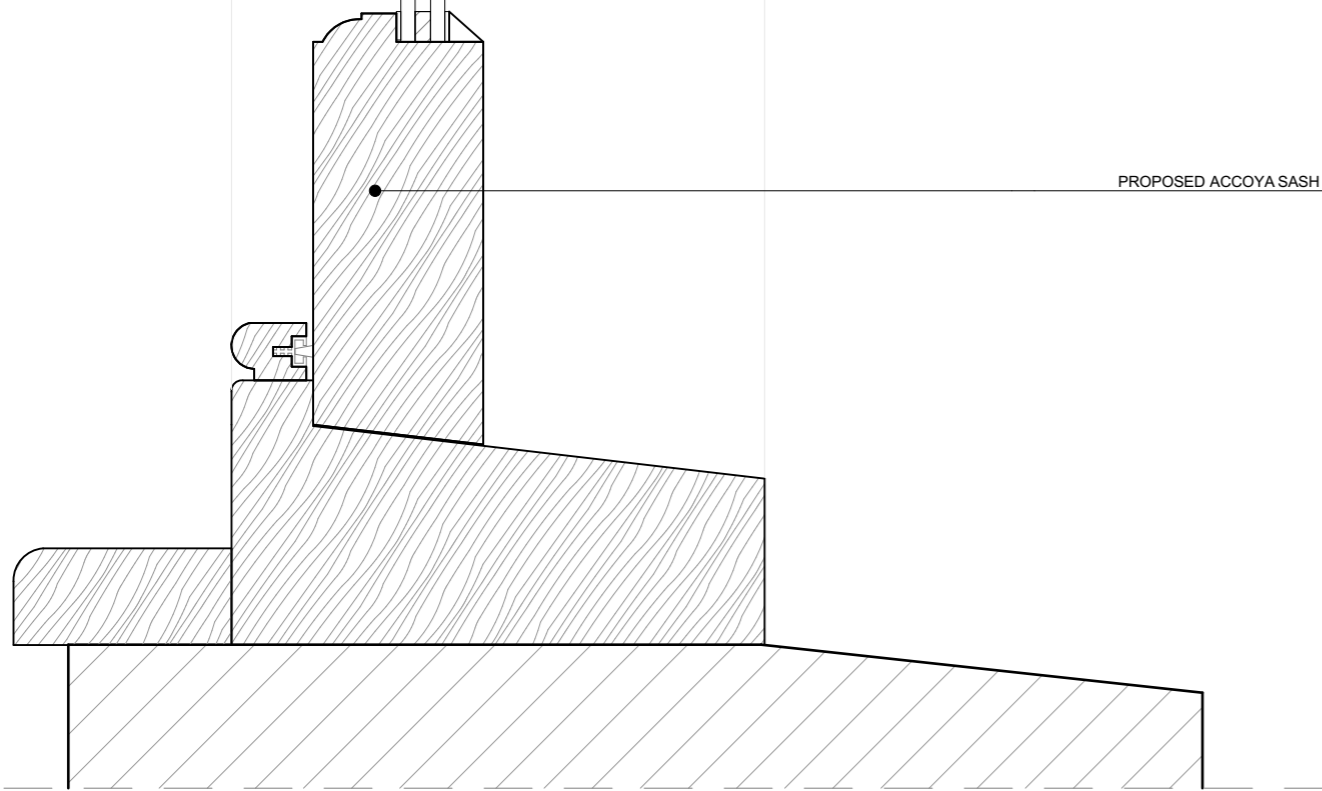
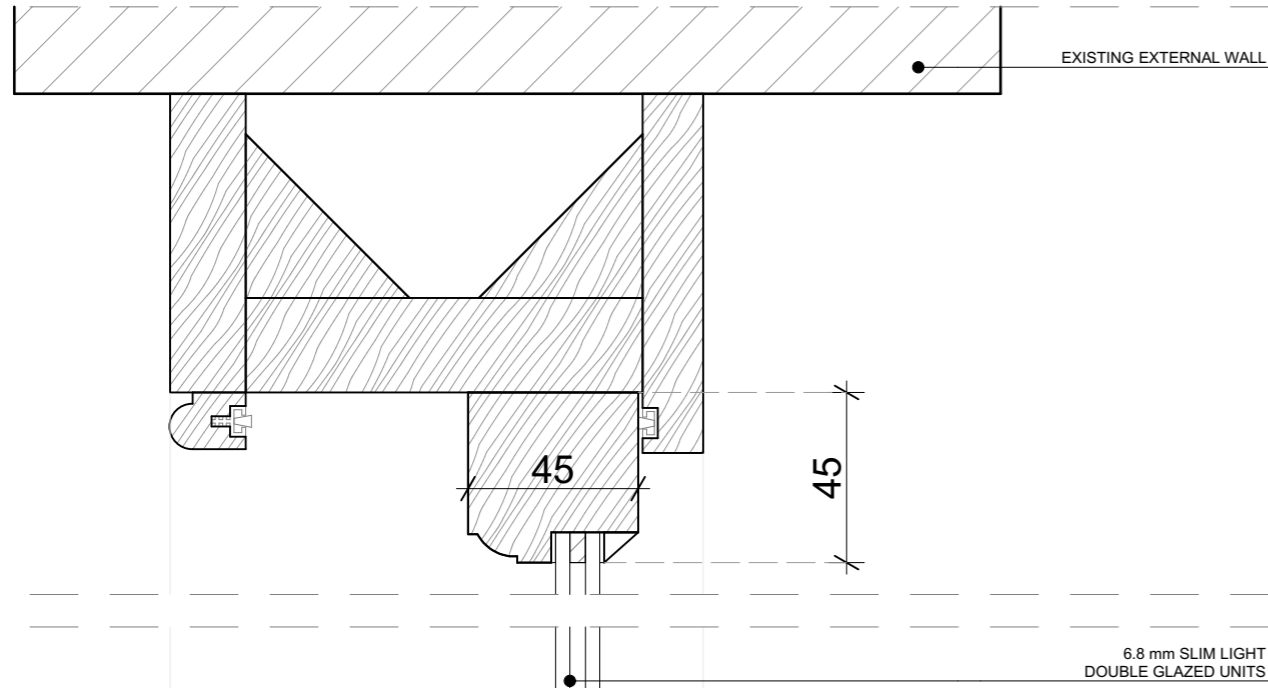
GK Architects Limited | Newcastle Office
Clavering House | Clavering Place | Newcastle upon Tyne NE1 3NG
T: 0191 666 0196 E: office@gkarchitects.co.uk

RIBA CHARTERED PRACTICE WWW.GKARCHITECTS.CO.UK

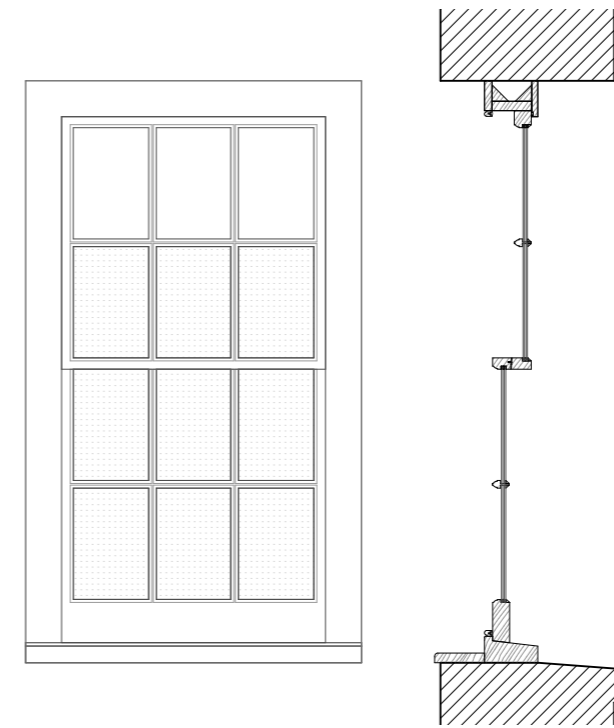


All dimensions to be checked on site. DO NOT SCALE FROM DRAWING. Discrepancies ambiguities and/or omissions between this drawing and information given elsewhere must be reported to the Architect immediately before proceeding. THIS DRAWING IS COPYRIGHT.

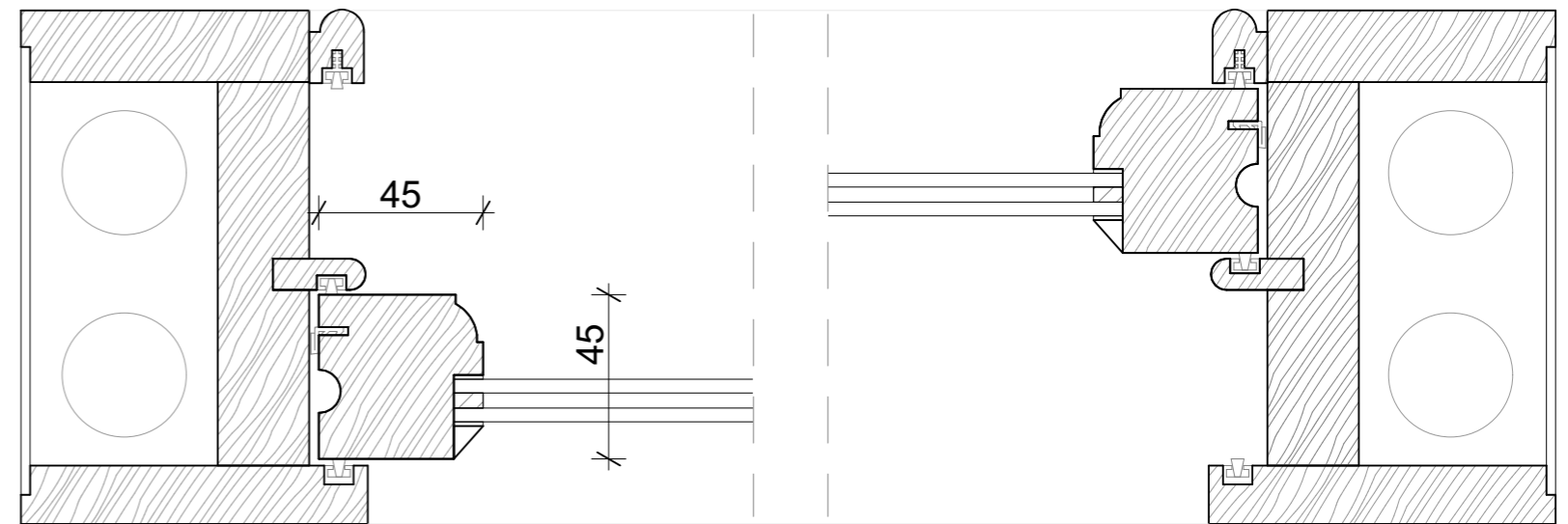
Revision	Description	Date
A	Details Updated	19/06/18



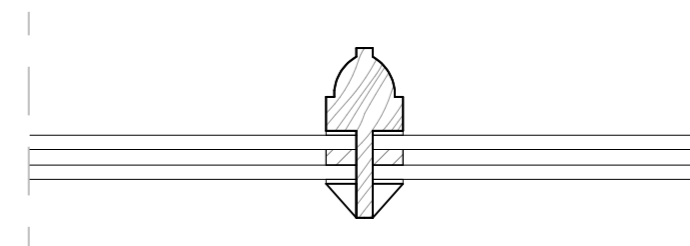
Box Frame - Side View as Proposed 1:2



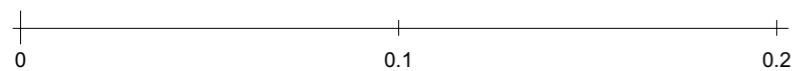
W05 as Proposed 1:20



Box Frame - Top View as Proposed 1:2



Glazing Bar Detail as Proposed 1:2



Scale: 1:2 @ A3
 Date: March / 2018
 Drawing Status: Planning
 Rev: A
 Drawn By: FS
 Drawing Number: A (0) 11

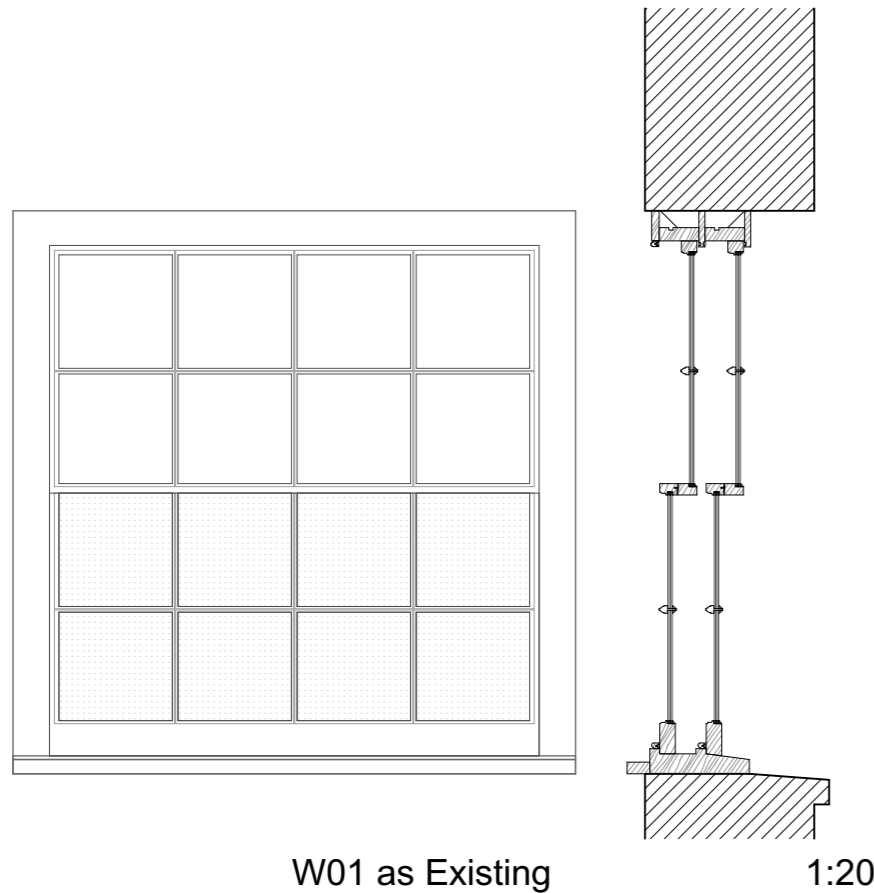
Project Title: Flat 2, 13 Shelton Street London WC2H 9JN
 Drawing Title: Window W05 Details as Proposed

GK Architects Limited | London Office
 Niddy Lodge | 51 Holland Street | London W8 7JB
 T: 0203 280 3630 E: office@gkarchitects.co.uk
 GK Architects Limited | Newcastle Office
 Clavering House | Clavering Place | Newcastle upon Tyne NE1 3NG
 T: 0191 666 0196 E: office@gkarchitects.co.uk
 RIBA CHARTERED PRACTICE WWW.GKARCHITECTS.CO.UK

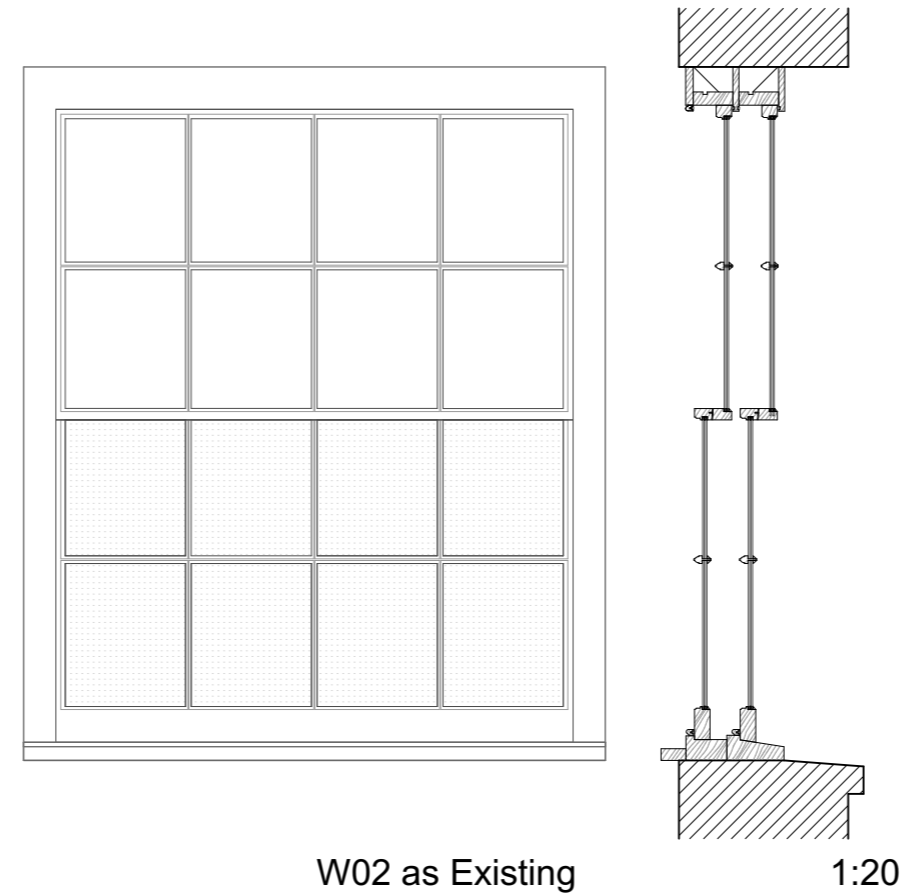


All dimensions to be checked on site. DO NOT SCALE FROM DRAWING. Discrepancies ambiguities and/or omissions between this drawing and information given elsewhere must be reported to the Architect immediately before proceeding. THIS DRAWING IS COPYRIGHT.

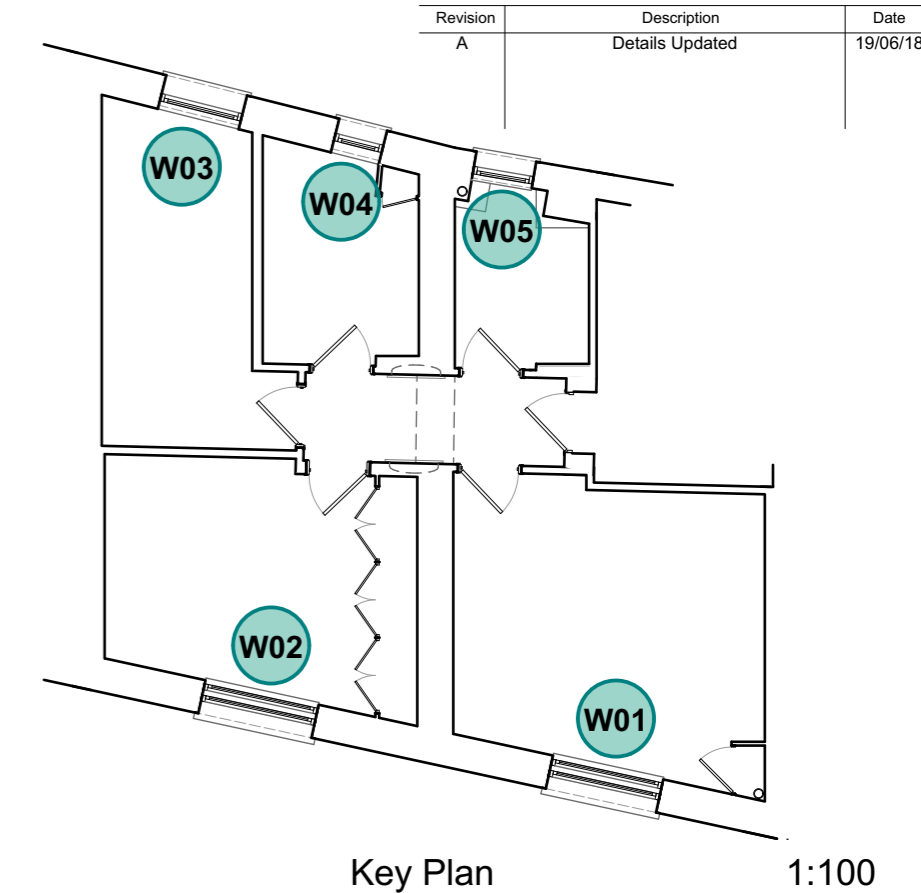
Revision	Description	Date
A	Details Updated	19/06/18



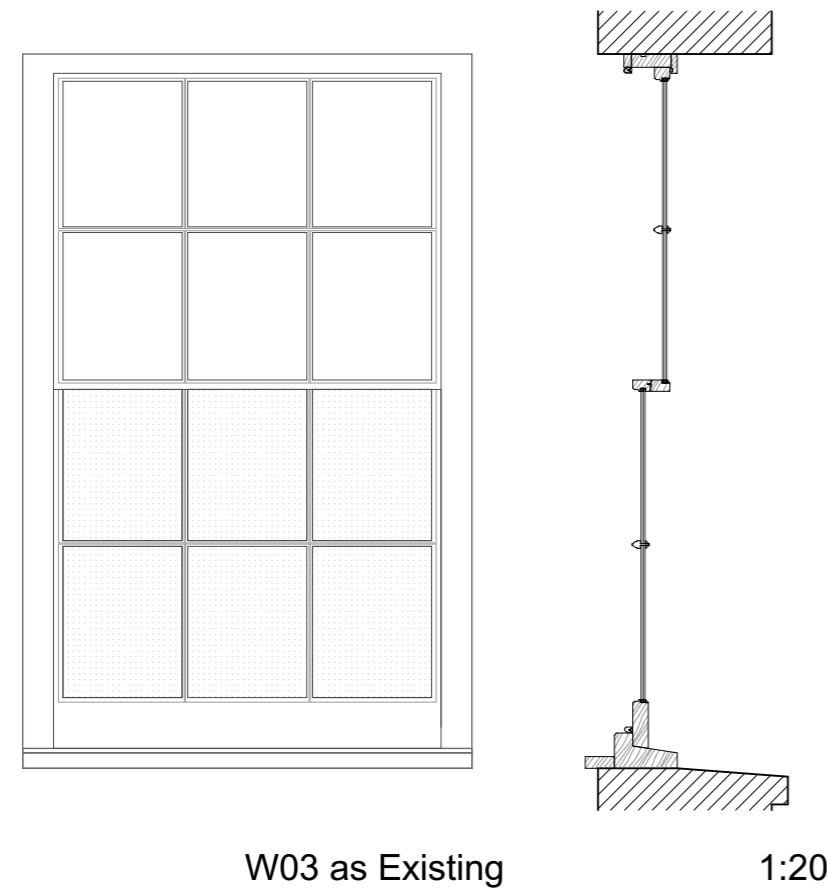
W01 as Existing 1:20



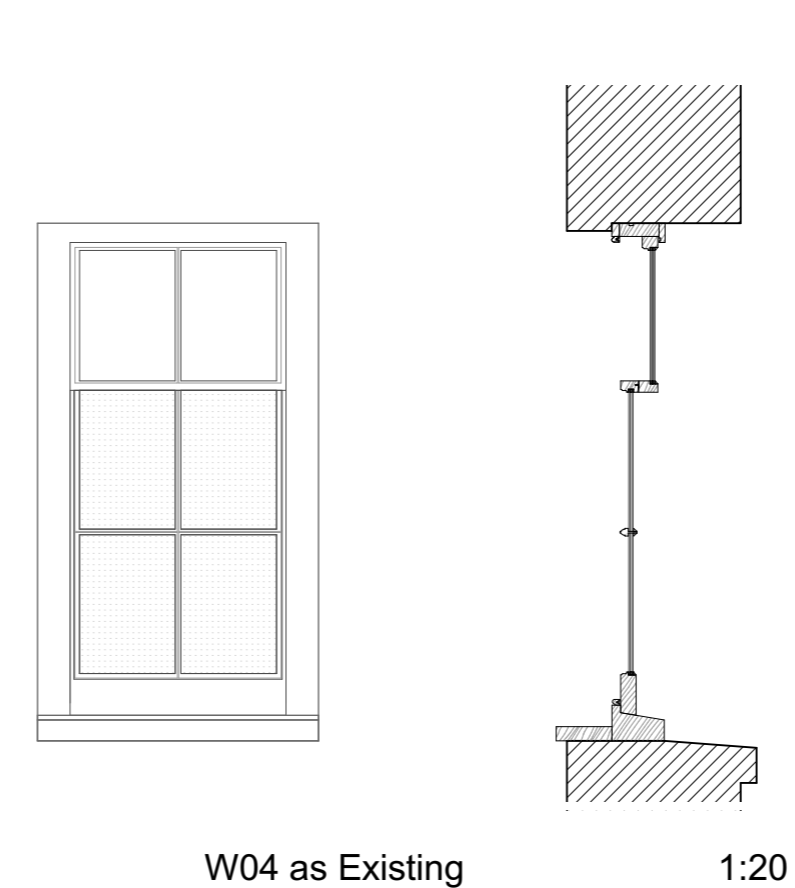
W02 as Existing 1:20



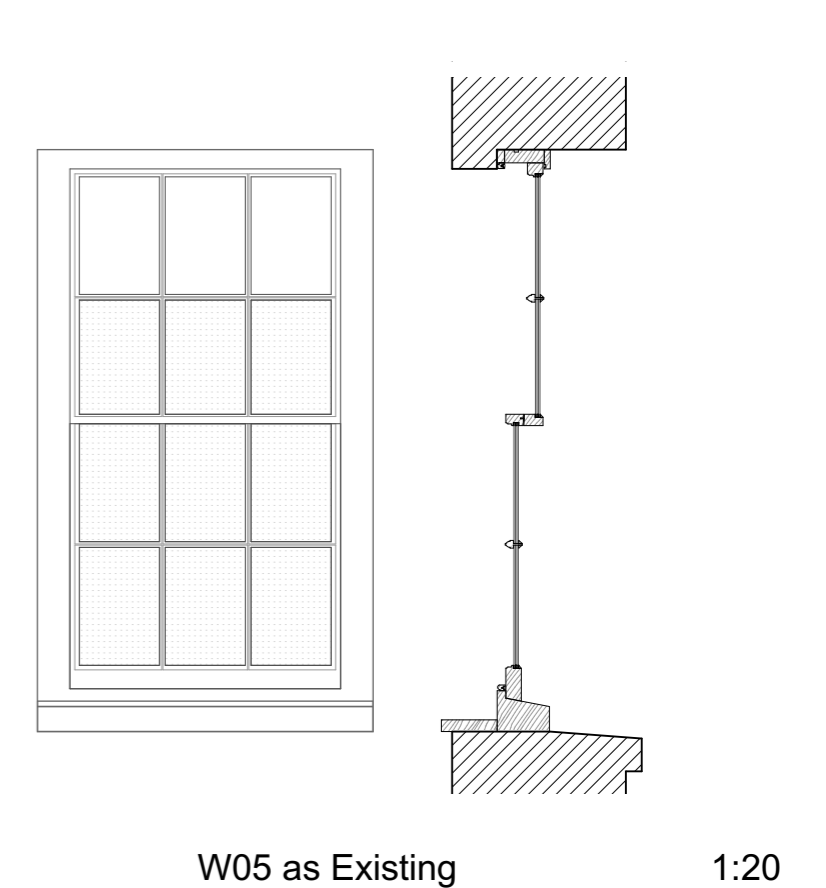
Key Plan 1:100



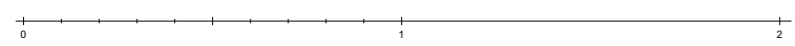
W03 as Existing 1:20



W04 as Existing 1:20



W05 as Existing 1:20



Scale: 1:20 @ A3 Date: March / 2018 Drawing Status: Planning
 Rev: A Drawn By: FS Drawing Number: C (0) 03

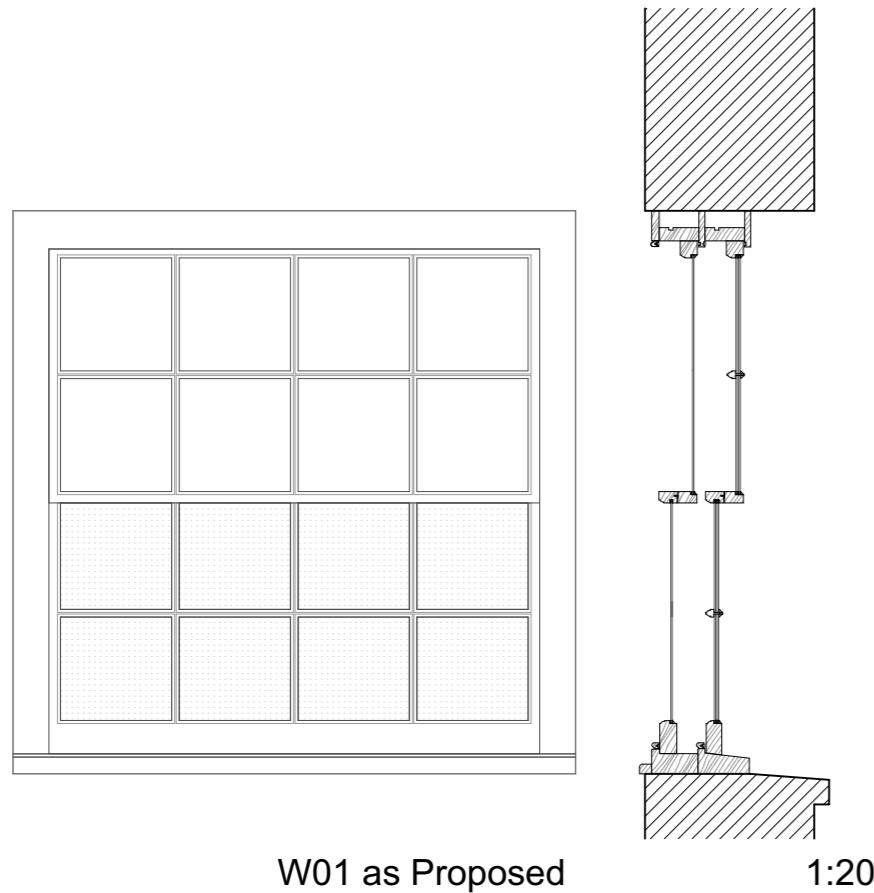
Project Title: Flat 2, 13 Shelton Street London WC2H 9JN
 Drawing Title: Windows Schedule as Existing

GK Architects Limited | London Office
 Niddy Lodge | 51 Holland Street | London W8 7JB
 T: 0203 280 3630 E: office@gkarchitects.co.uk
 GK Architects Limited | Newcastle Office
 Clavering House | Clavering Place | Newcastle upon Tyne NE1 3NG
 T: 0191 666 0196 E: office@gkarchitects.co.uk
 RIBA CHARTERED PRACTICE WWW.GKARCHITECTS.CO.UK

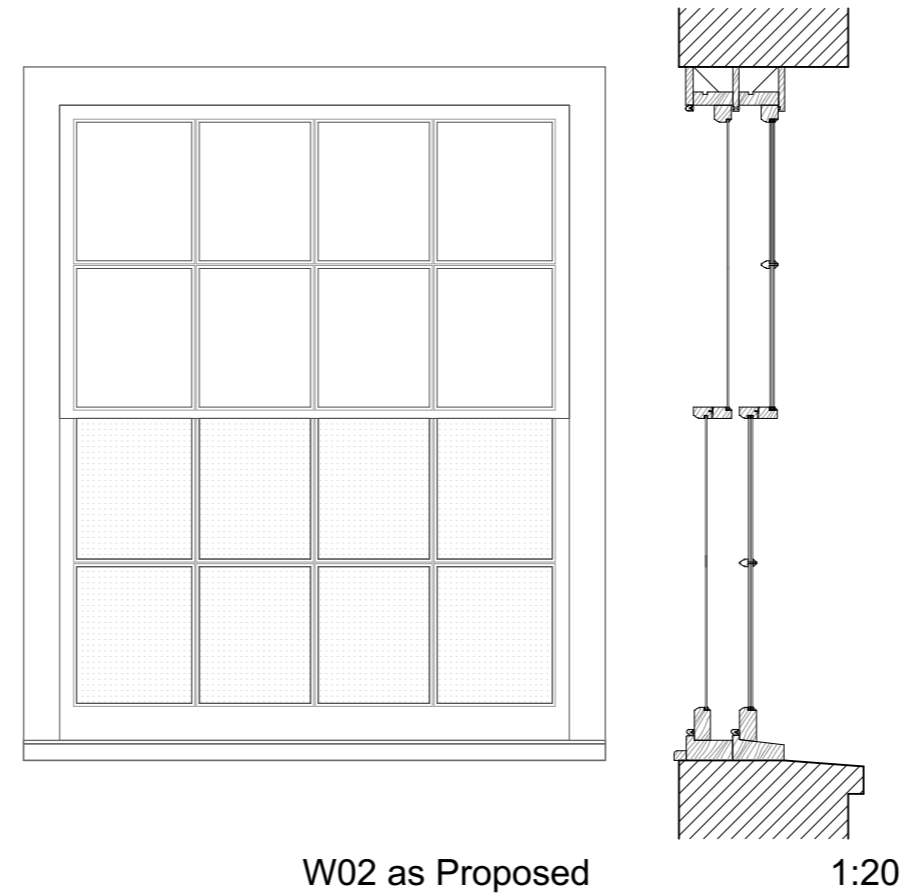


All dimensions to be checked on site. DO NOT SCALE FROM DRAWING. Discrepancies ambiguities and/or omissions between this drawing and information given elsewhere must be reported to the Architect immediately before proceeding. THIS DRAWING IS COPYRIGHT.

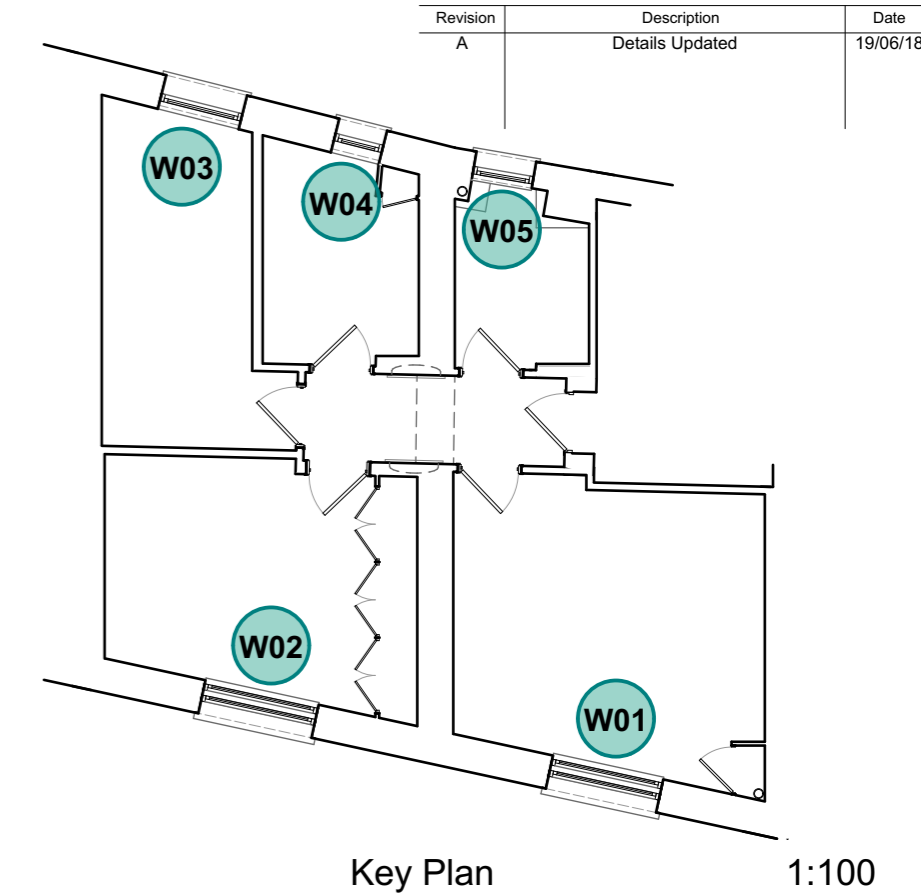
Revision	Description	Date
A	Details Updated	19/06/18



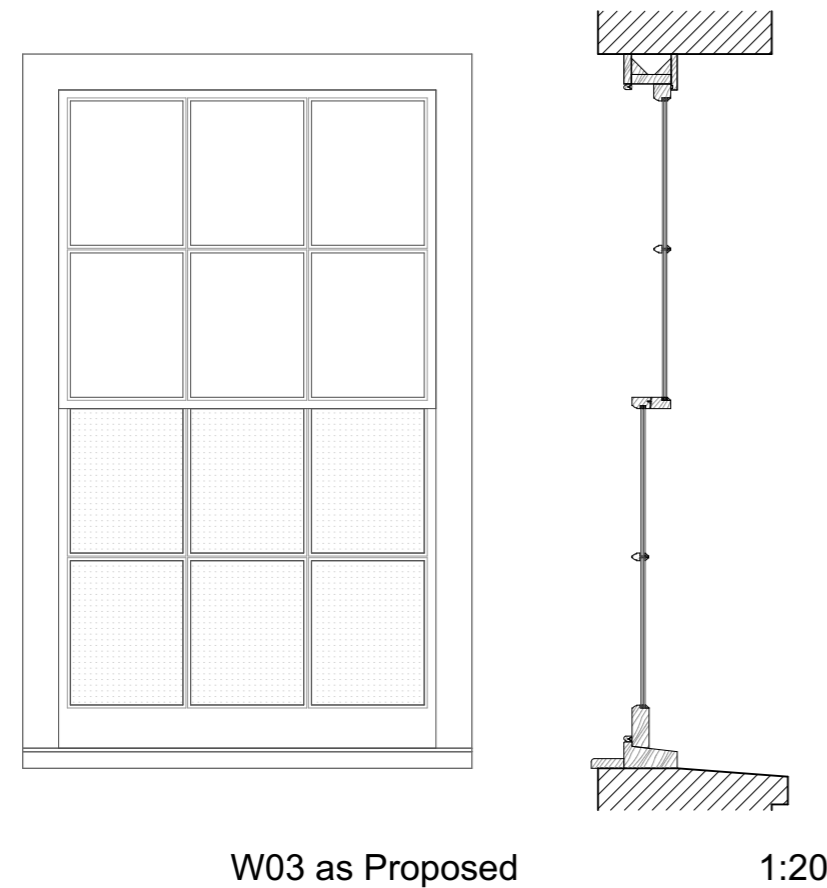
W01 as Proposed 1:20



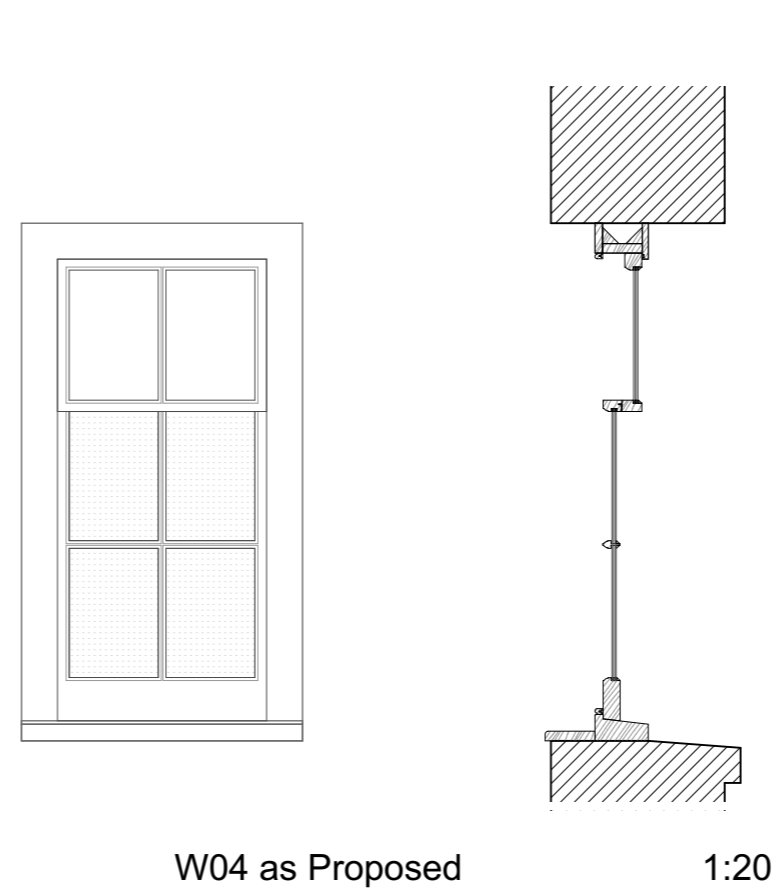
W02 as Proposed 1:20



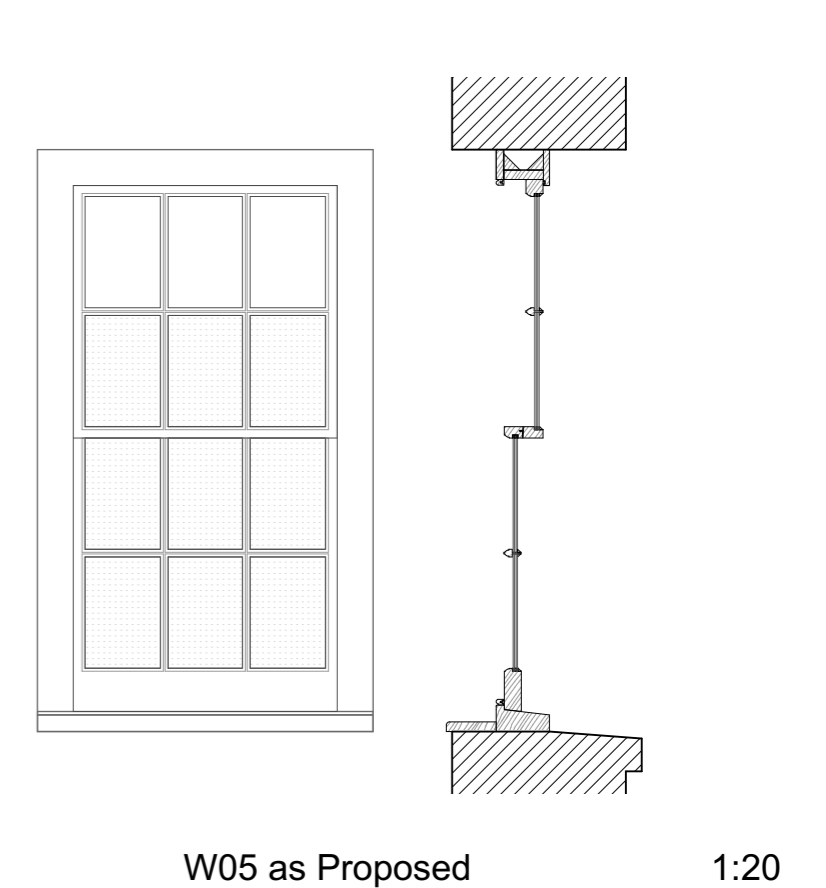
Key Plan 1:100



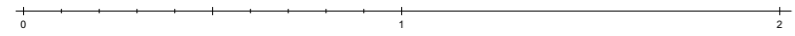
W03 as Proposed 1:20



W04 as Proposed 1:20



W05 as Proposed 1:20



Scale: 1:20 @ A3 Date: March / 2018 Drawing Status: Planning
 Rev: A Drawn By: FS Drawing Number: C (0) 06

Project Title: Flat 2, 13 Shelton Street London WC2H 9JN
 Drawing Title: Windows Schedule as Proposed

GK Architects Limited | London Office
 Niddy Lodge | 51 Holland Street | London W8 7JB
 T: 0203 280 3630 E: office@gkarchitects.co.uk
 GK Architects Limited | Newcastle Office
 Clavering House | Clavering Place | Newcastle upon Tyne NE1 3NG
 T: 0191 666 0196 E: office@gkarchitects.co.uk
 RIBA CHARTERED PRACTICE WWW.GKARCHITECTS.CO.UK

