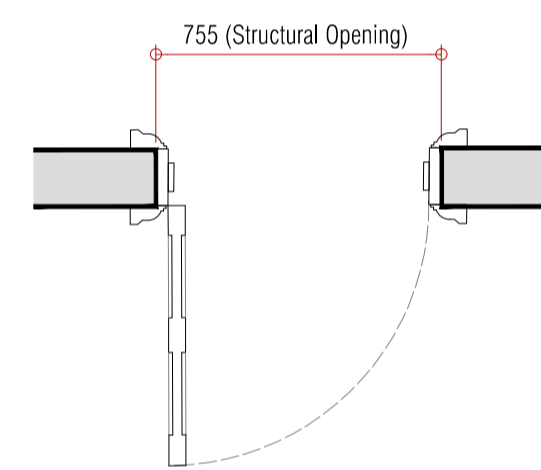


DG-29

**New Ground Floor Doors - Jib Timber Door**

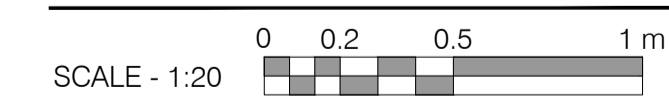
- Door:** New softwood 'jib' door with concealed hinges. Fielded panels to corridor / kitchen side only.
- Ironmongery:** Carlisle Brass Delamain Range in Satin Nickel finish.
- Architrave:** New architrave to match existing for corridor / kitchen side only.
- Note:** All works to be in accordance with Conservation Specifications.



DG-32

**New Ground Floor Doors - Traditional Door**

- Door:** New softwood door with fielded panels. Style and detail to match existing. New paint finish; colour TBC.
- Fire Doors:** FD30 door with intumescent fire / smoke seal fitted to head and sides of door and self-close.
- Ironmongery:** Carlisle Brass Delamain Range in Satin Nickel finish.
- Architrave:** New architrave to match existing.
- Note:** All works to be in accordance with Conservation Specifications.



Rev:	Comments:	By:	Date:
A	DG-30 & DG-31 Removed	DW	11-06-2018

**PLANNING**

Client:  
-  
Project Title:  
24 Heath Drive, London, NW3 7SB  
Drawing Title:  
Door Schedule 6

Scale: 1:20@A1  
Date: JAN 18  
Drawn: ST  
Checked: HV

**kyson**  
Studio

28 Scrutton Street  
London  
UK  
EC2A 4RP  
T: +44(0) 20 7247 2462  
E: enquiries@kyson.co.uk  
W: www.kyson.co.uk

Project No.: 508-16  
Drawing No.: 6005  
Revision: A

Do not scale this drawing. All dimensions must be checked on site. All rights reserved. No reproduction in any material form is permitted without consent.