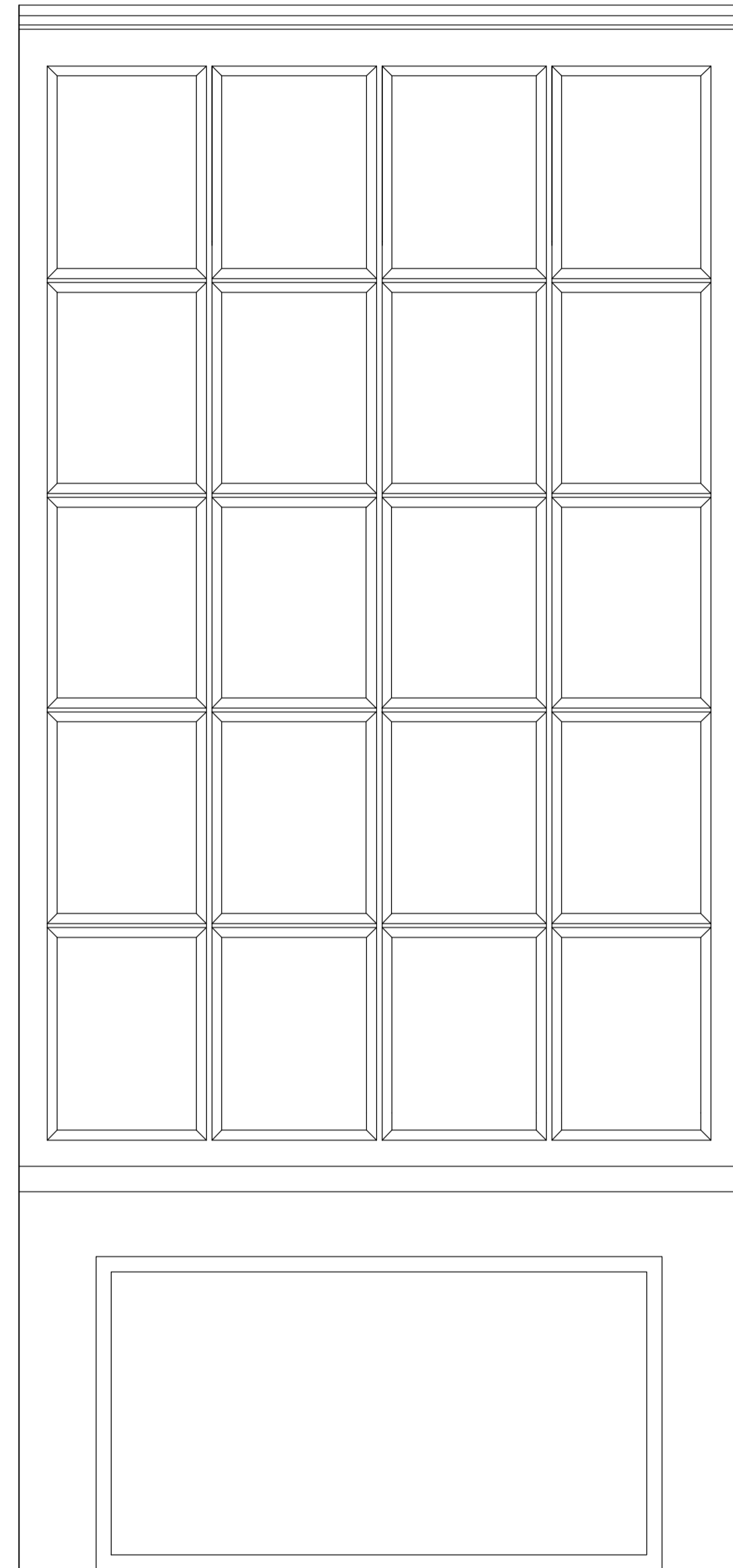
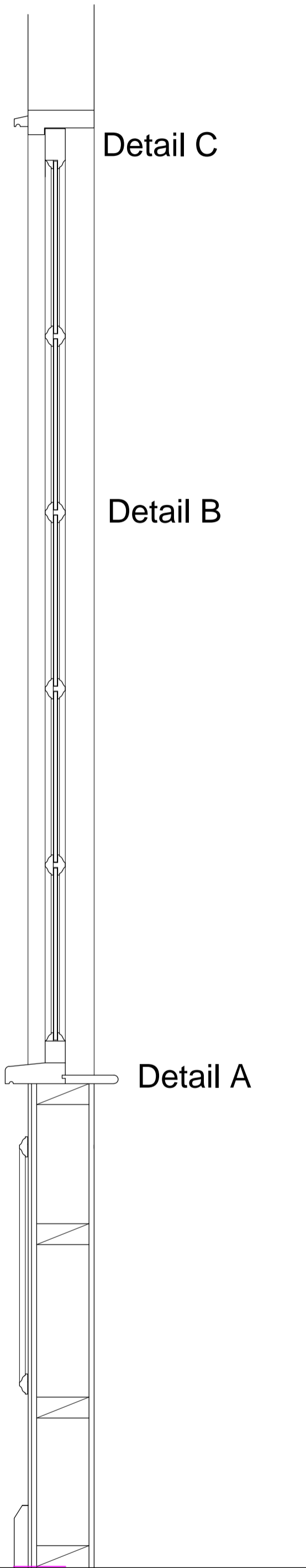


A



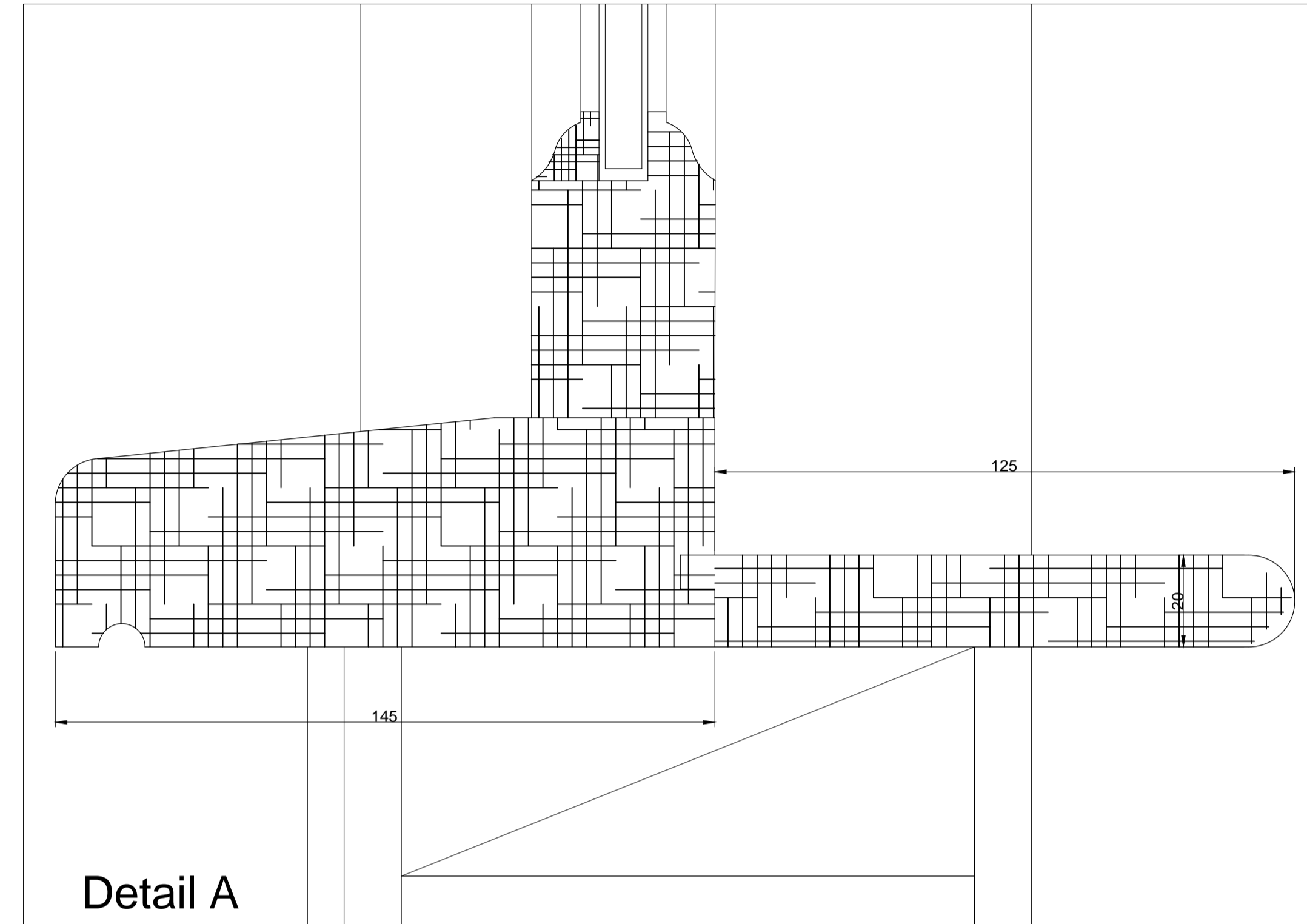
New hardwood shopfront with
single glazed georgian style
windows. Paint finish.



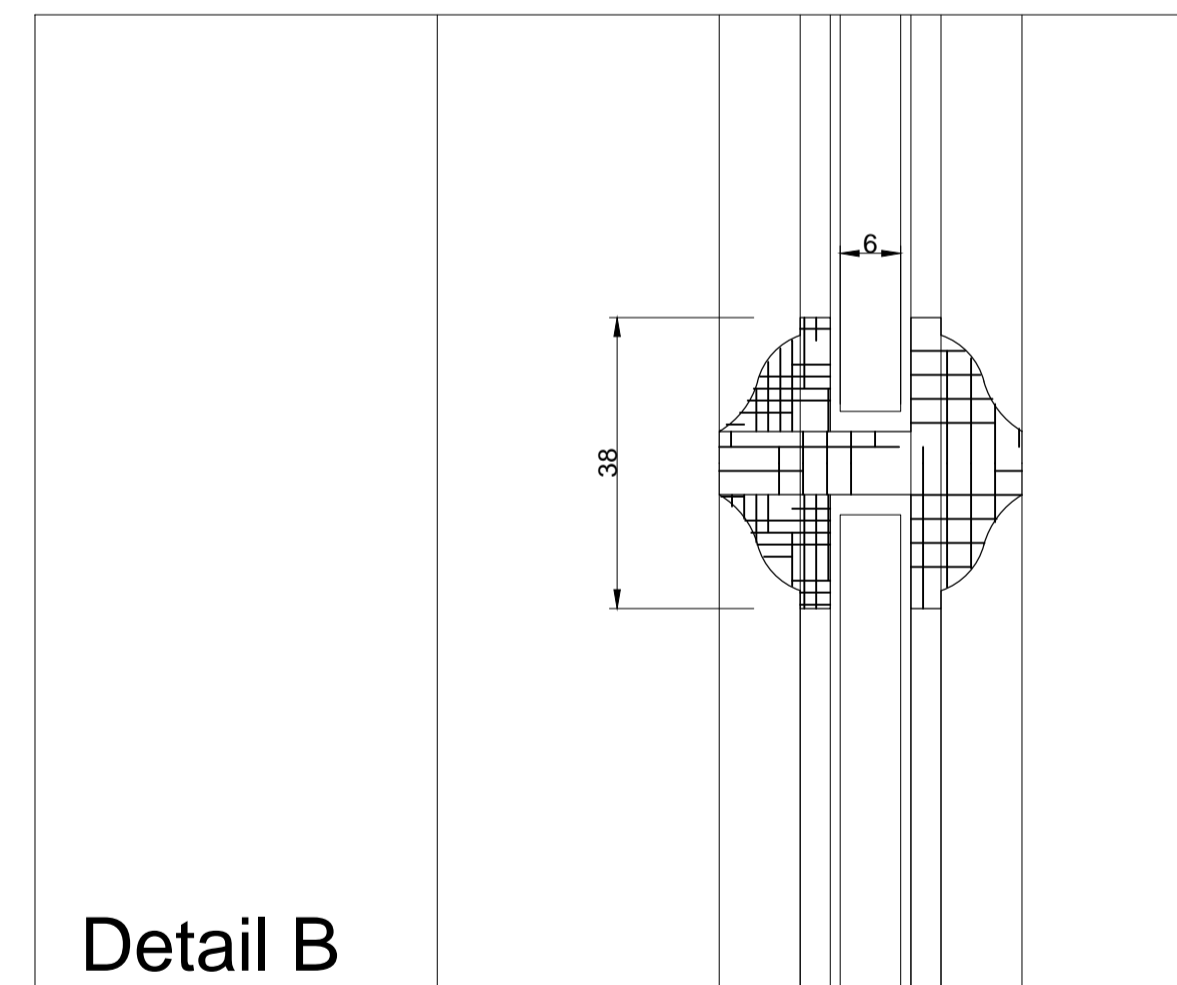
Detail C

Detail B

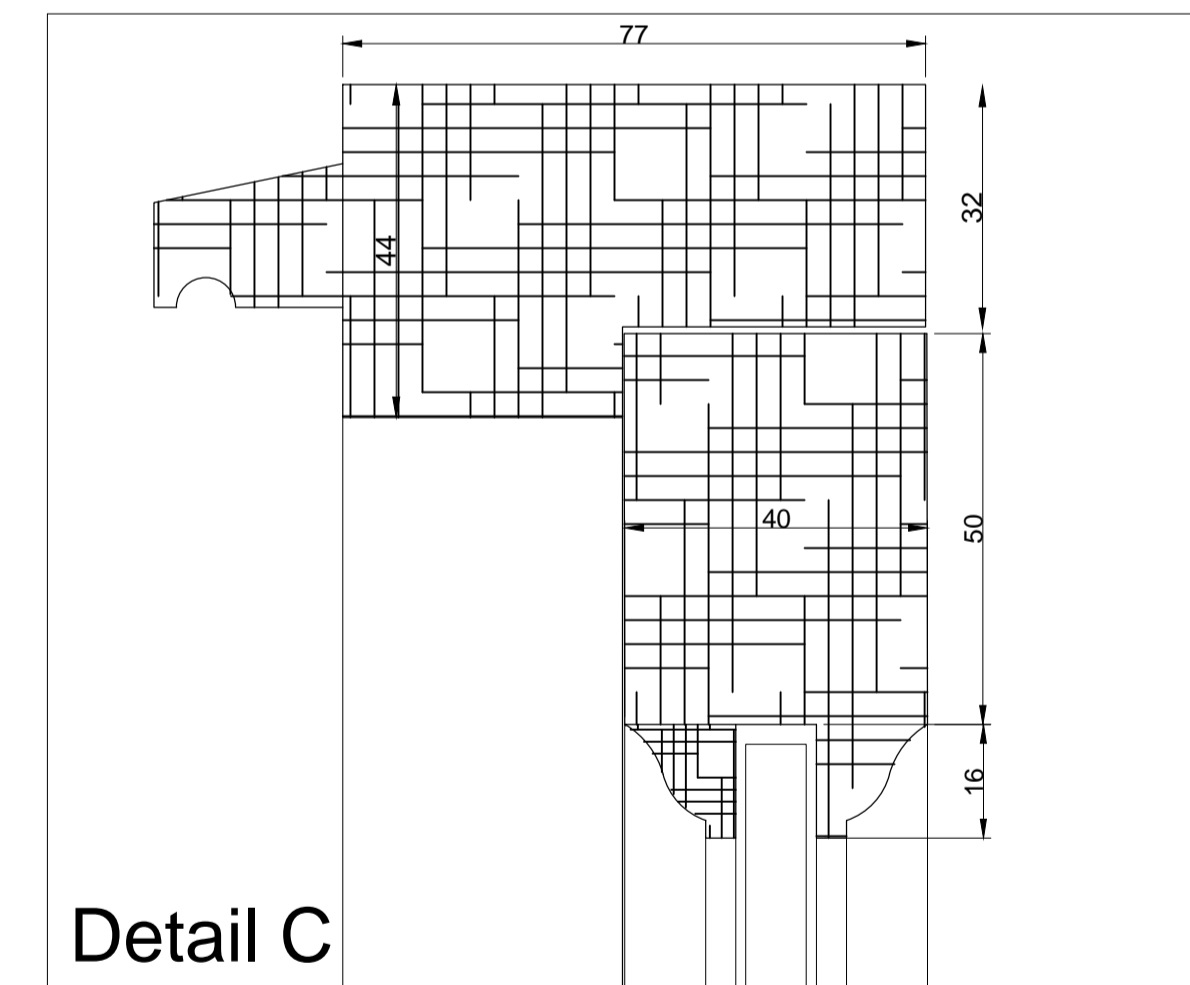
Detail A



Detail A



Detail B



Detail C

SECTION A-A

A

ELEVATION

| | | | |
|---|---------------------------|-----|---------|
| A | Shopfront design revised. | TAM | 14.6.18 |
|---|---------------------------|-----|---------|

PembrookDesign

Summit House, Horscroft Road, The Pinnacles, Harlow, Essex, CM19 5BN
Tel: 01279 433888. Fax: 01279 433889.
E-Mail: pembrook@pembrook.co.uk
Website: www.pembrook.co.uk

Client: The Fat Boy Pub Co.

Project:
THE LORE OF THE LAND
4 CONWAY STREET
FITZROVIA, LONDON
W1T 6BB

Drawing Title:
PROPOSED WINDOW
DETAILS

Drawing No: 3175/37
Scale: 1:10 & 1:1 @A1 / 1:20 & 1:2 @A3
Date: JUNE 2018
Drawn By: TAM

Revision: A

Drawing not to be scaled. Dimensions indicated must be checked
on site before manufacture by contractor.
any discrepancy should be reported immediately.