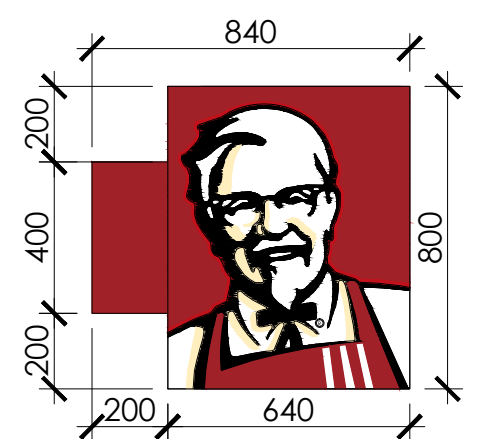
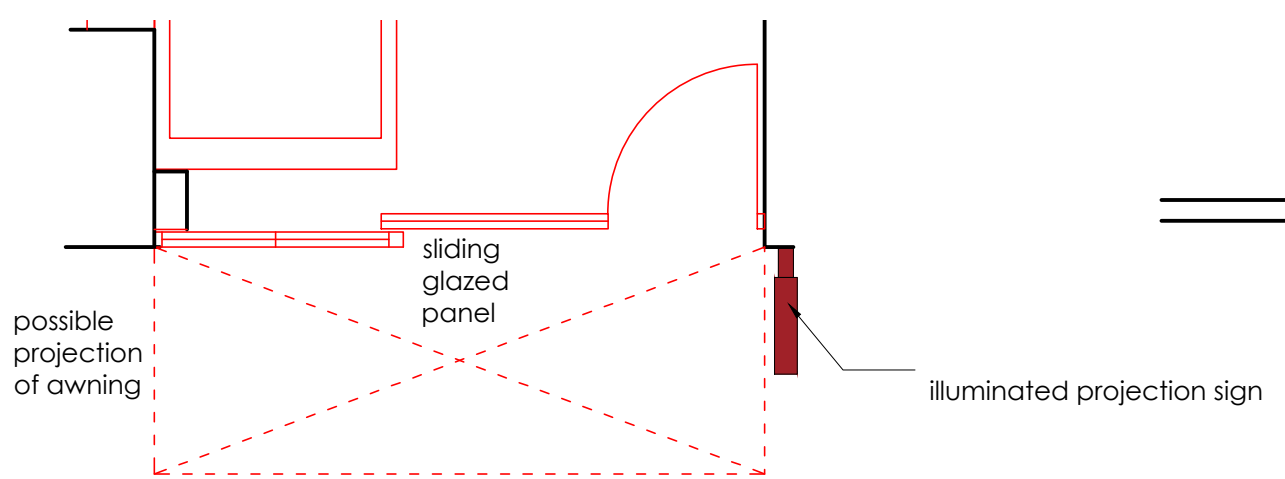


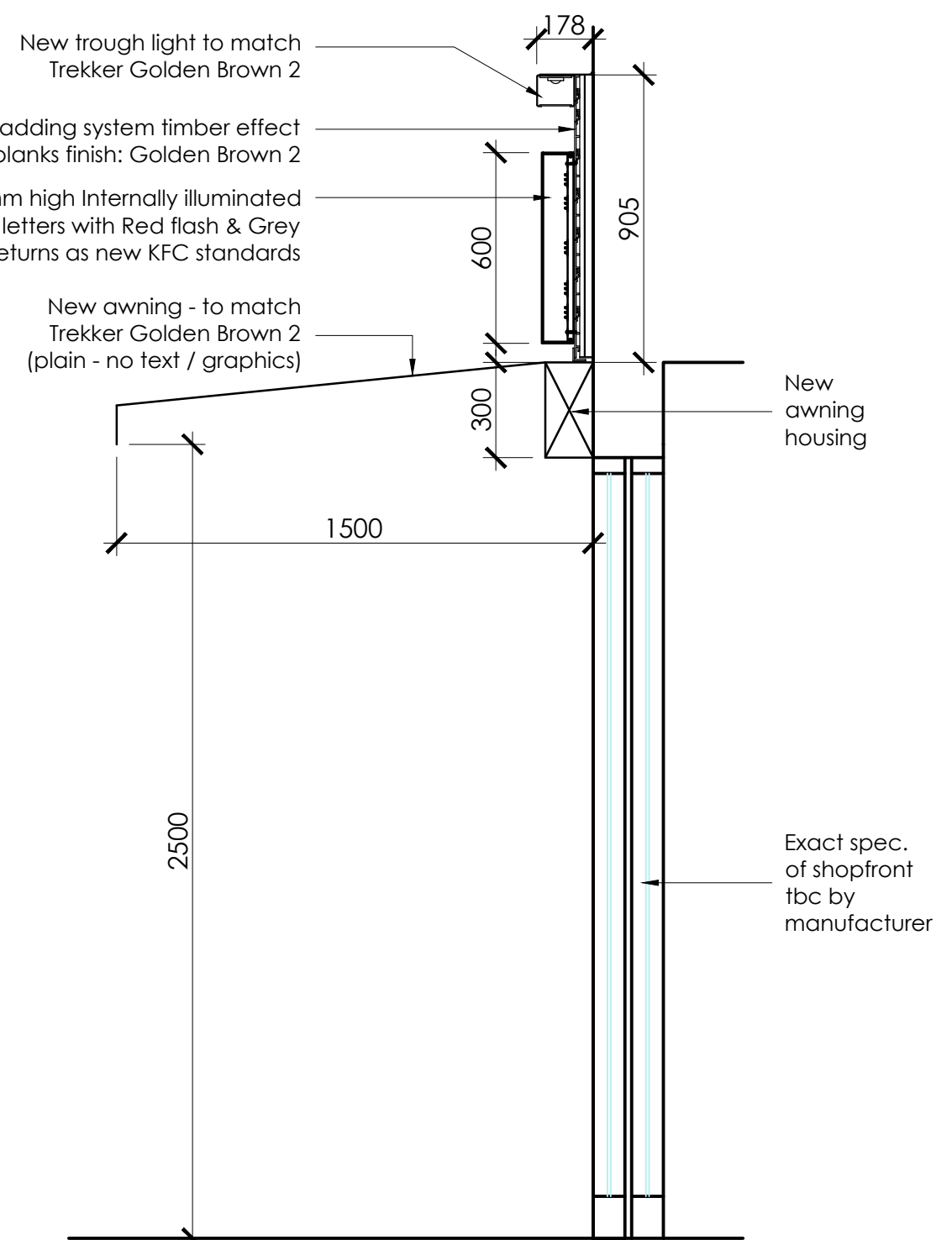
# existing shopfront elevation

scale - 1:50 @ A1 / 1:100 @ A3



Wired chickens mounted to roof line in approx. areas of boxes show

Tie design applied to shopfront brickwork to shaded area



## typical section through shopfront

scale - 1:20 @ A1

rev	date	description

**HONE EDWARDS ASSOCIATES**  
 Design Studio  
 Millars Three  
 Southmill Road  
 Bishop's Stortford  
 Herts. CM23 3DH  
 email: firstname.lastname@honeedwards.co.uk  
 Tel: 01279 758545  
 Fax: 01279 757730



### IMAGE ENHANCEMENT

store address  
**KFC RESTAURANT**  
 CAMDEN  
 237-239 HIGH STREET  
 NW1 7BU

### drawing title

**EXISTING SHOPFRONT ELEVATIONS**

drawn by	checked	date
RJS	JE	SEPT
store no.	scale	
	1:50 & 1:20 @ A1	

drawing no.	revision
0000/2014/G210	
HEA drawing no.	revision
2188/G210	E

