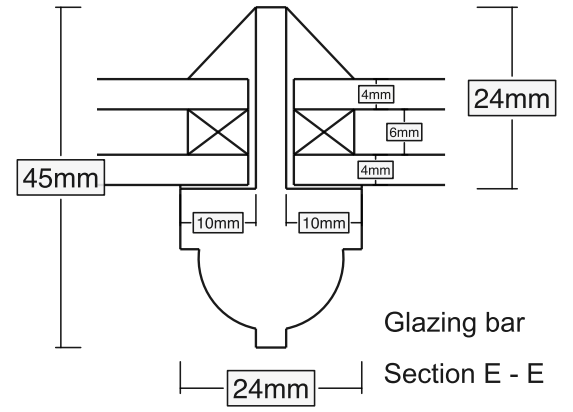
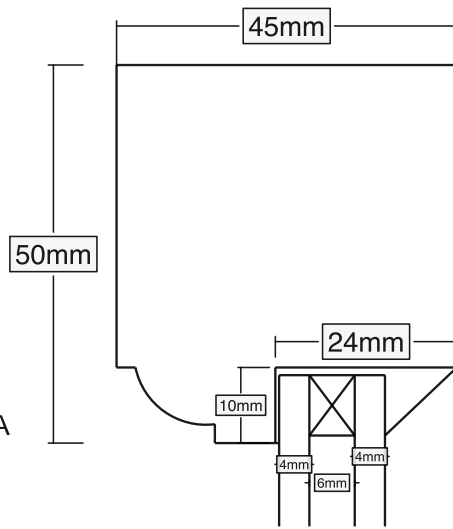
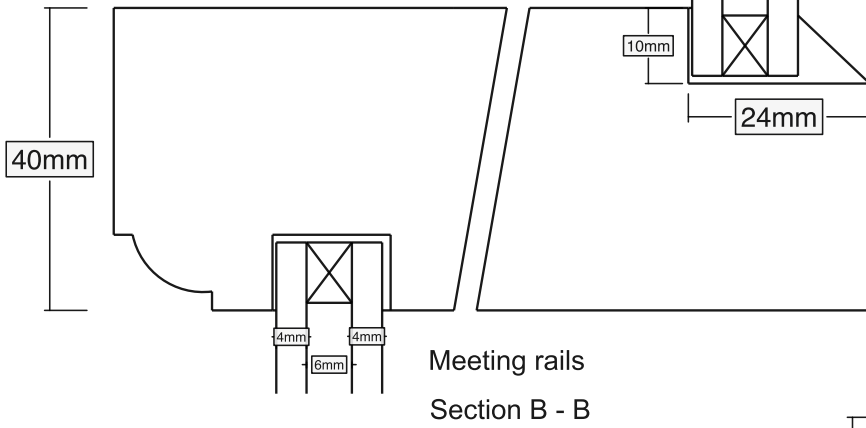


Top rail
Section A - A

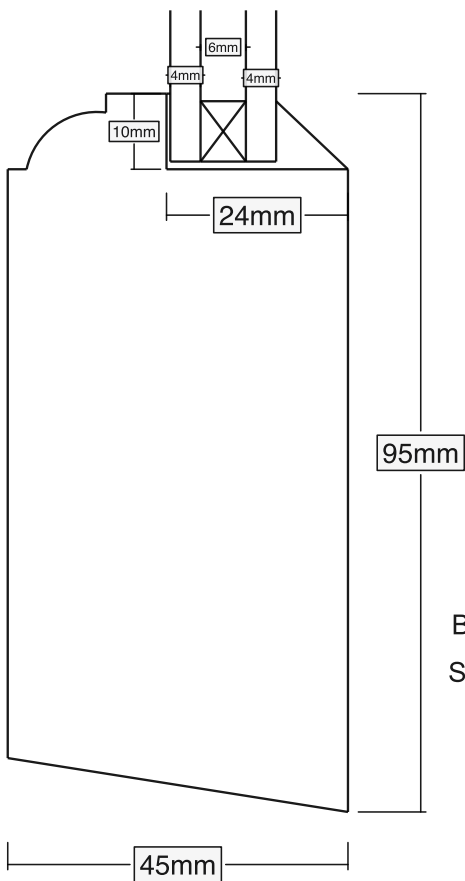
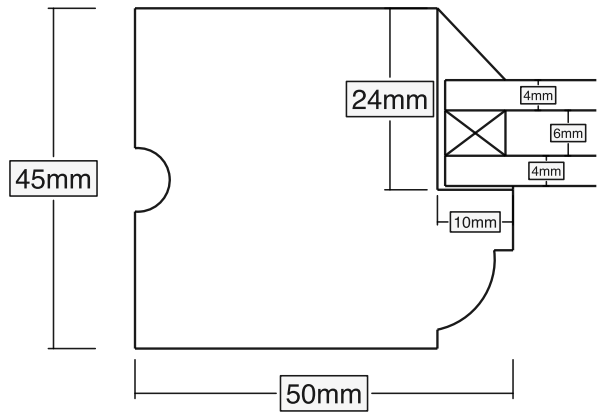


Glazing bar
Section E - E



Meeting rails
Section B - B

Side stile
Section D - D



Bottom rail
Section C - C

Drawing No :- 002	
14 Eaton Villas London NW3	
Revision - A	Date - 2 - 6 - 2018
Section A - A	Section C - C
Section B - B	Section D - D
Section E - E	
Scale. 1 : 1 @ A4	