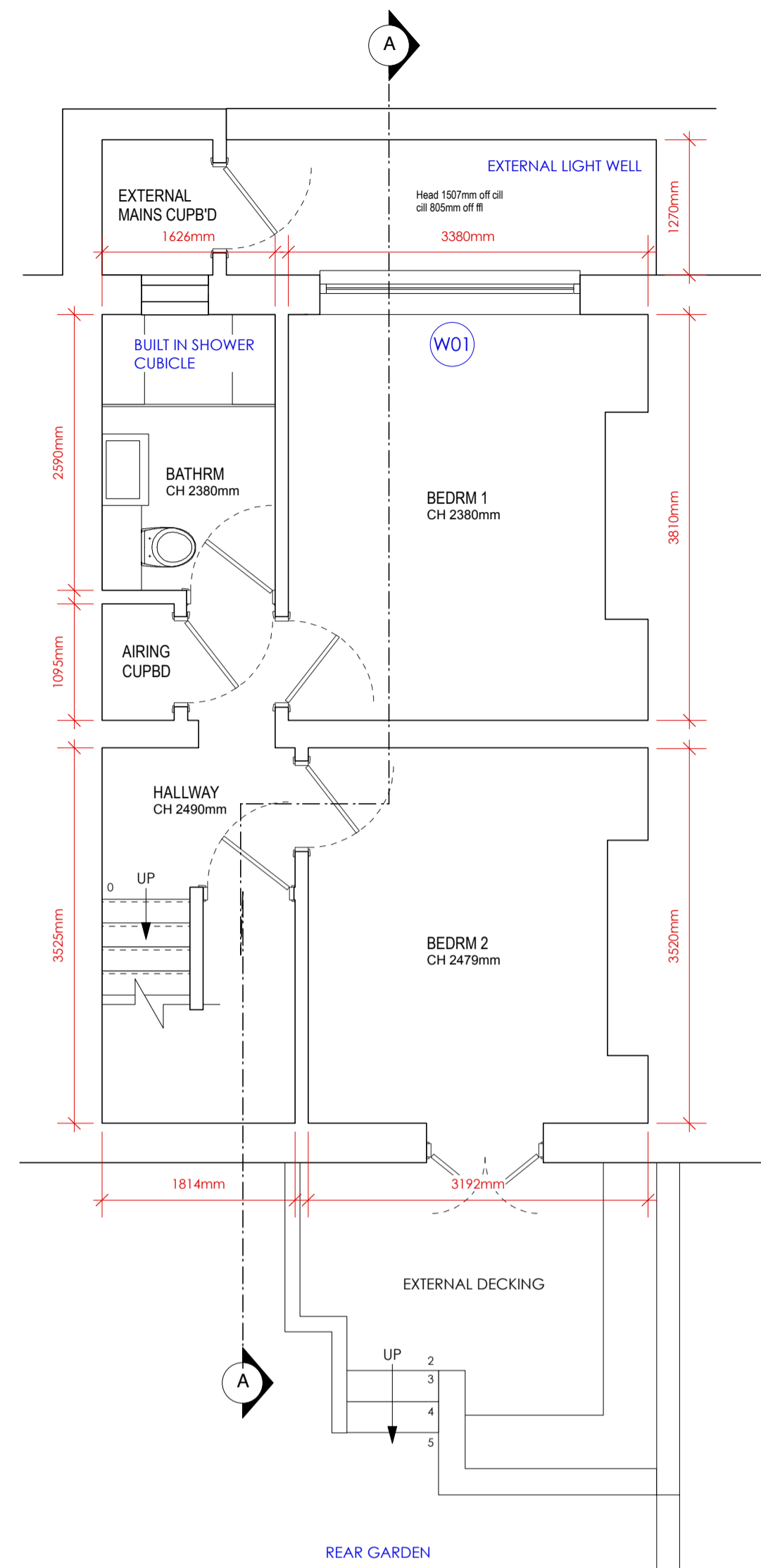
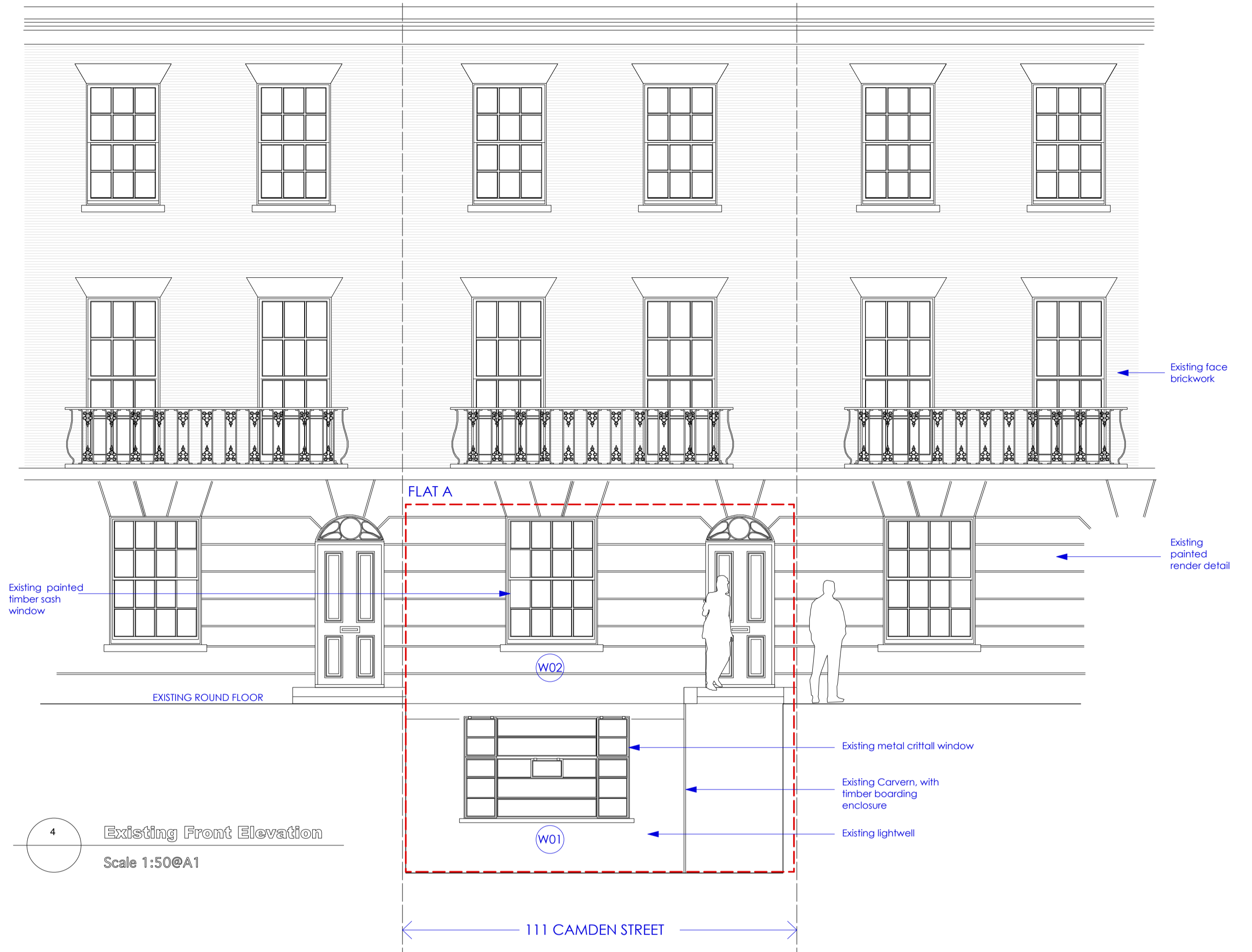


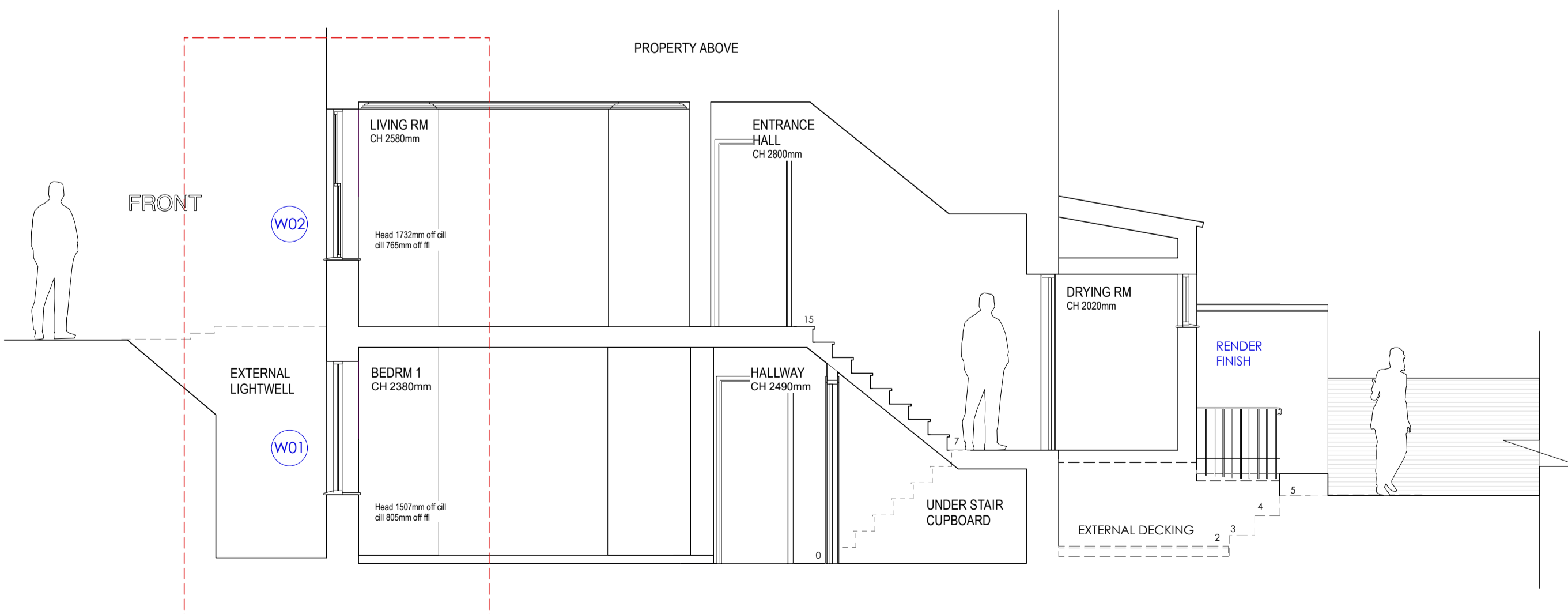
1 Existing Ground floor plan
Scale 1:50@A1



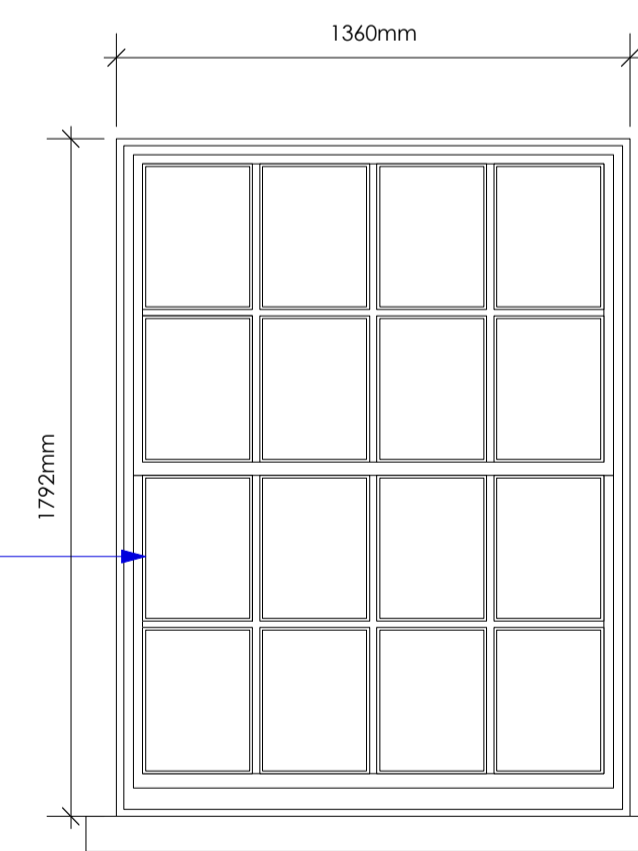
2 Existing Lower Ground floor plan
Scale 1:50@A1



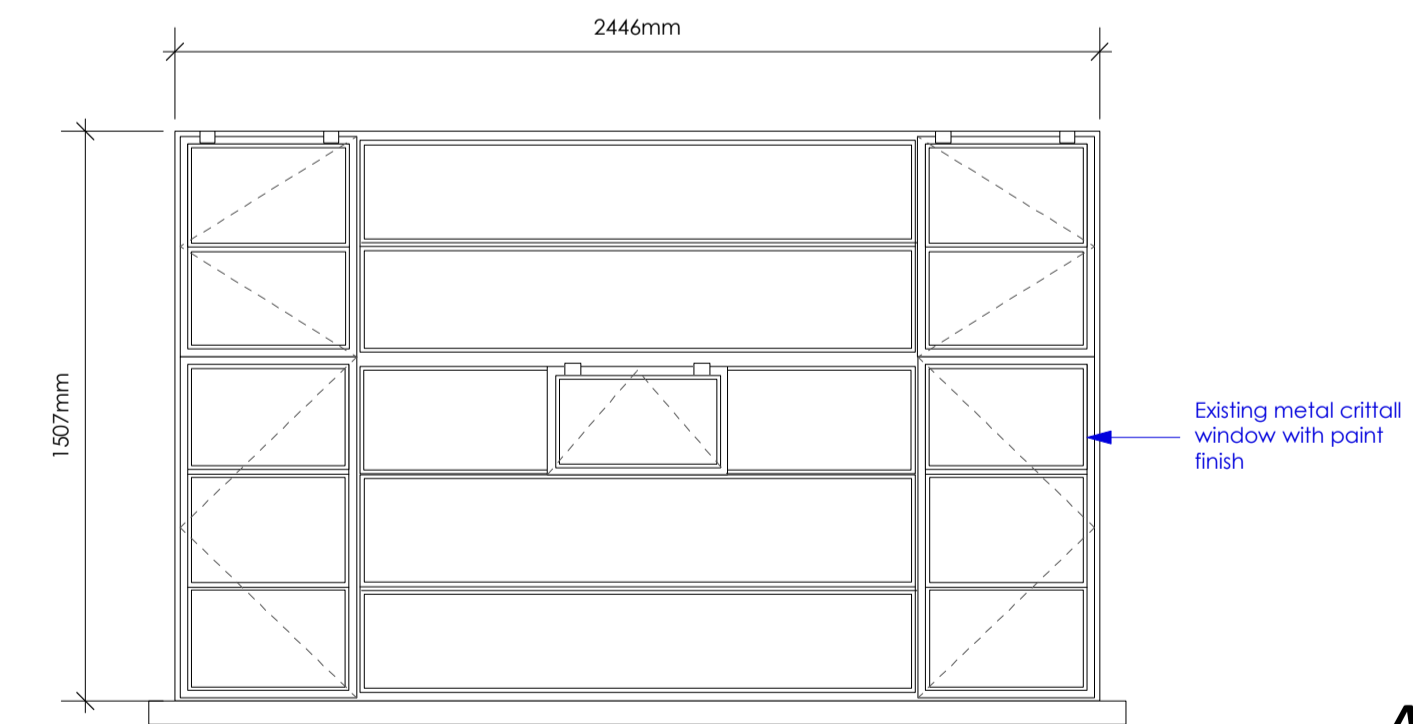
4 Existing Front Elevation
Scale 1:50@A1



6 Existing Section A-A
Scale 1:50@A1



5 Existing Window W02
Scale 1:20@A1



6 Existing Window W01
Scale 1:20@A1



ANA architecture + design

5 The Malthouses, Canterbury Road,
East Brabourne, Kent, TN25 5LL
Alan Miller BA Hons Dip Arch RIBA Chartered Architect
Tel 01303 814 479 mob 07904 168 733
email: anaarchitecturedesign@gmail.com

Status	PLANNING ISSUE
Client	Mr D Roddick
Project	111 Camden Street, London NW1 0HX
Drawing	Existing Plans, Front Elevation and Section A-A
Drawing No	189FRE/AL-J01 Rev -
Date	Dec 2017 Scale 1:50/1:20@A1
Revisions	-