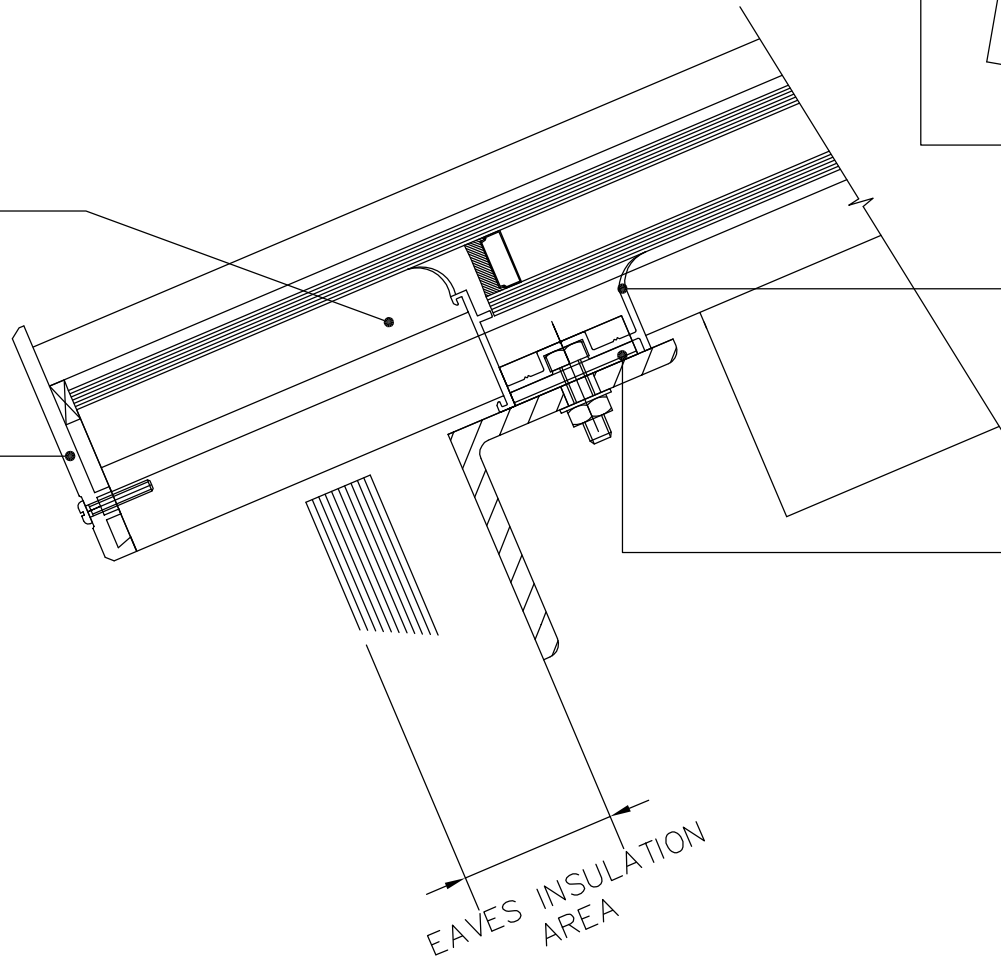
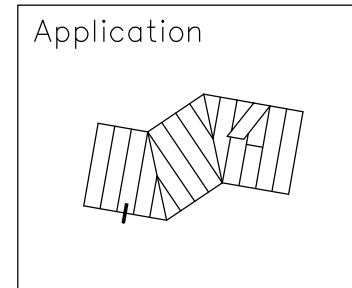


BOTTOM FIXING TO METAL



OPTIONAL CLOSER FOR STEPPED UNITS IS AVAILABLE

STANDARD GLASS STOP FIXED TO BOTTOM OF BAR. NOTE: HEAVY DUTY STOPS ARE REQUIRED WHERE BAR LENGTH IS EQUAL TO OR GREATER THAN 3000mm AND/OR ROOF PITCH EXCEEDS 35°

BLACK PLASTIC CO-EX DRAUGHT EXCLUDER

BOTTOM SLIDING SINGLE HOLE FIXING SHOE WITH M8 X 25mm ST/STEEL BOLT ISOLATE DIS-SIMILAR METALS

EAVES INSULATION AREA