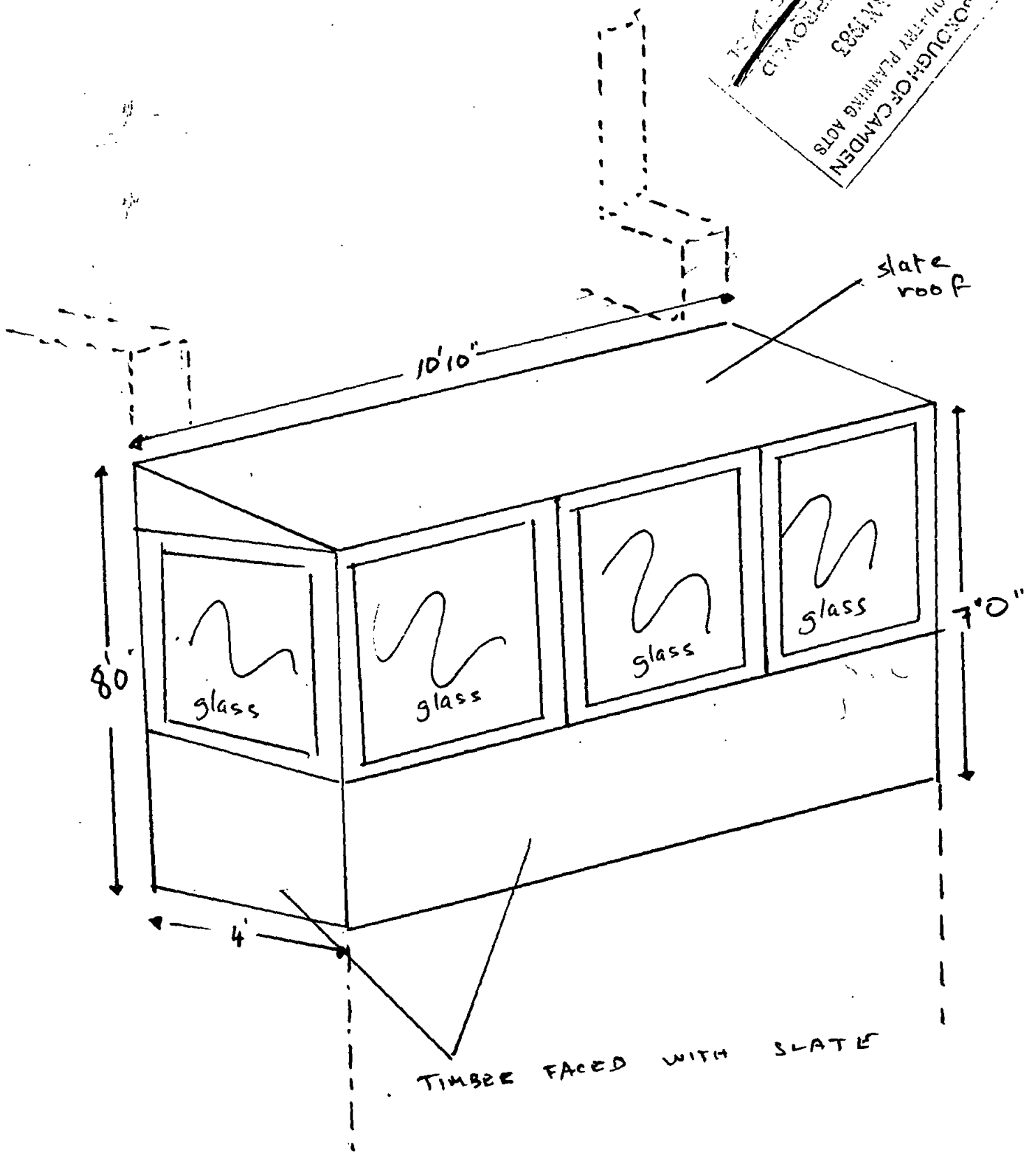


CTP/E11/22/17/35227

ALTERATION TO
83 BURGHLEY RD. NWS
(not drawn to scale)

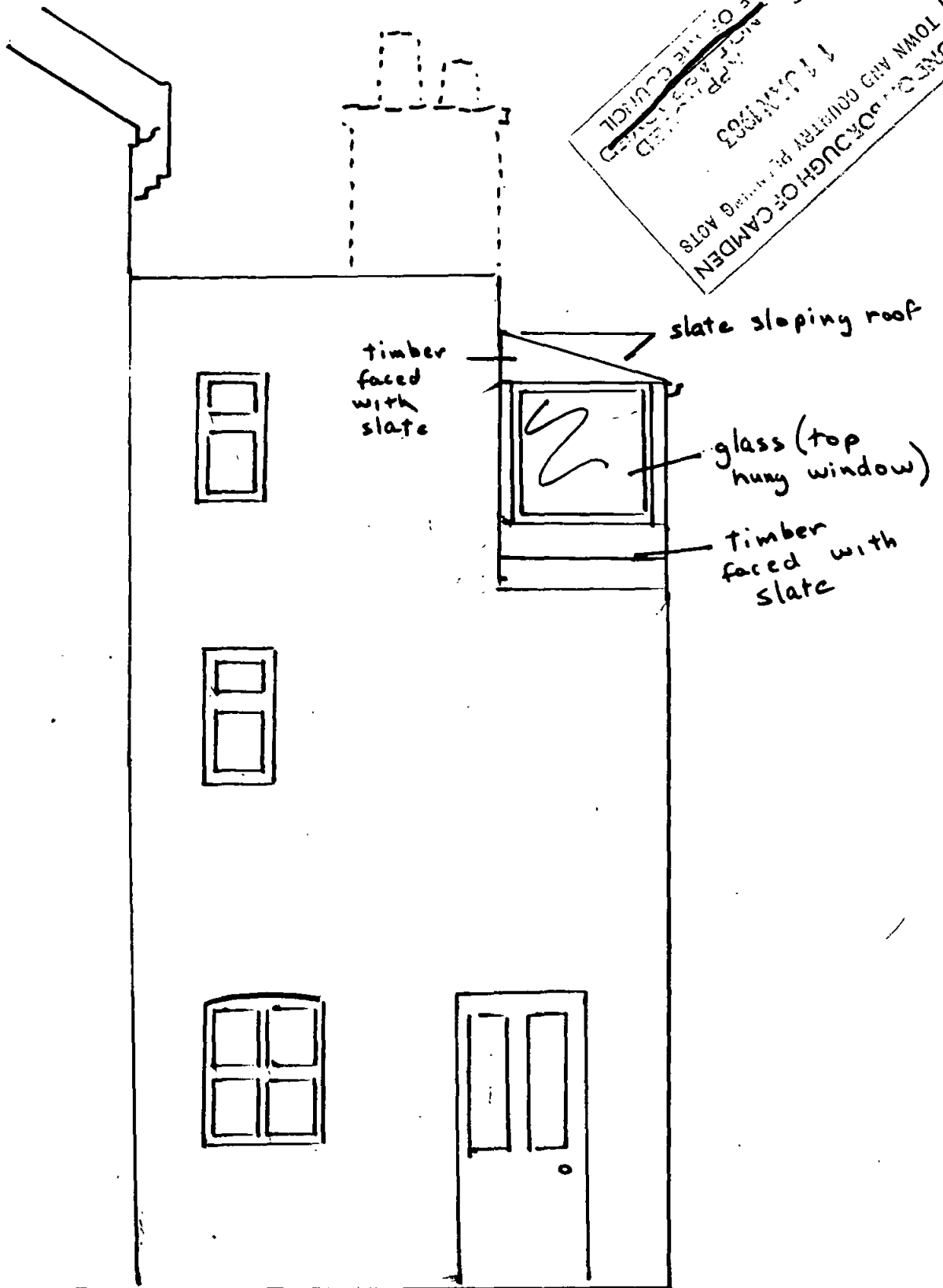
APPROVED
ON BEHALF OF THE COUNCIL
PLANS
1 JAN 1983
LONDON BOROUGH OF CAMDEN
TOWN AND COUNTRY PLANNING ACTS



CTP/E11/22/7/35227

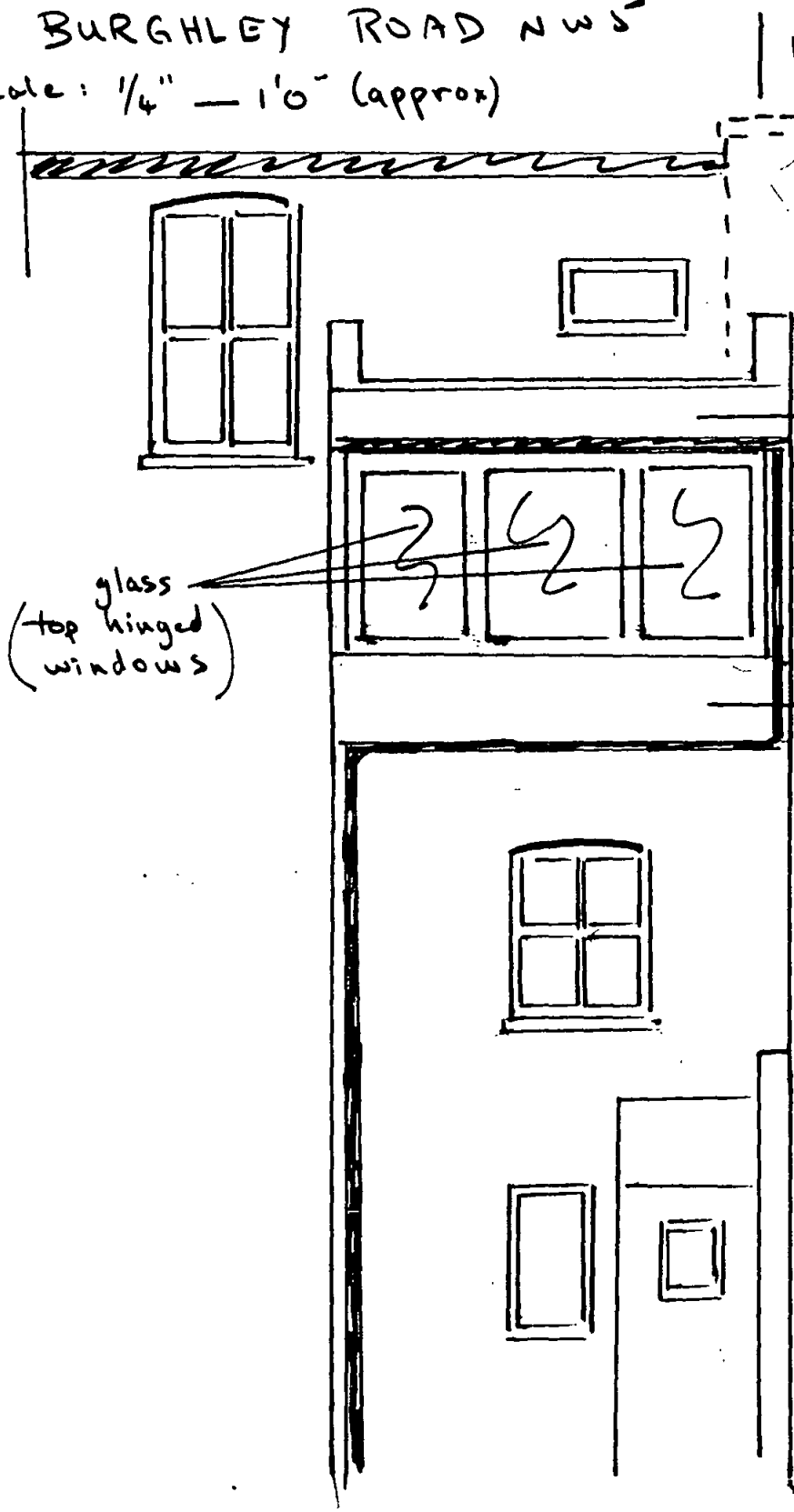
ALTERATION TO
83 BURGHLEY ROAD NW5
SCALE: 1/4" - 1'0" (approx.)

PLANS PREPARED
1 JULY 1983
TOWN AND COUNTRY PLANNING ACTS
BOROUGH OF CAMDEN
ON BEHALF OF THE COUNCIL



CTP/E1/22/7/35227

ALTERATION TO
83 BURGLEY ROAD NWS
scale: 1/4" - 1'0" (approx)

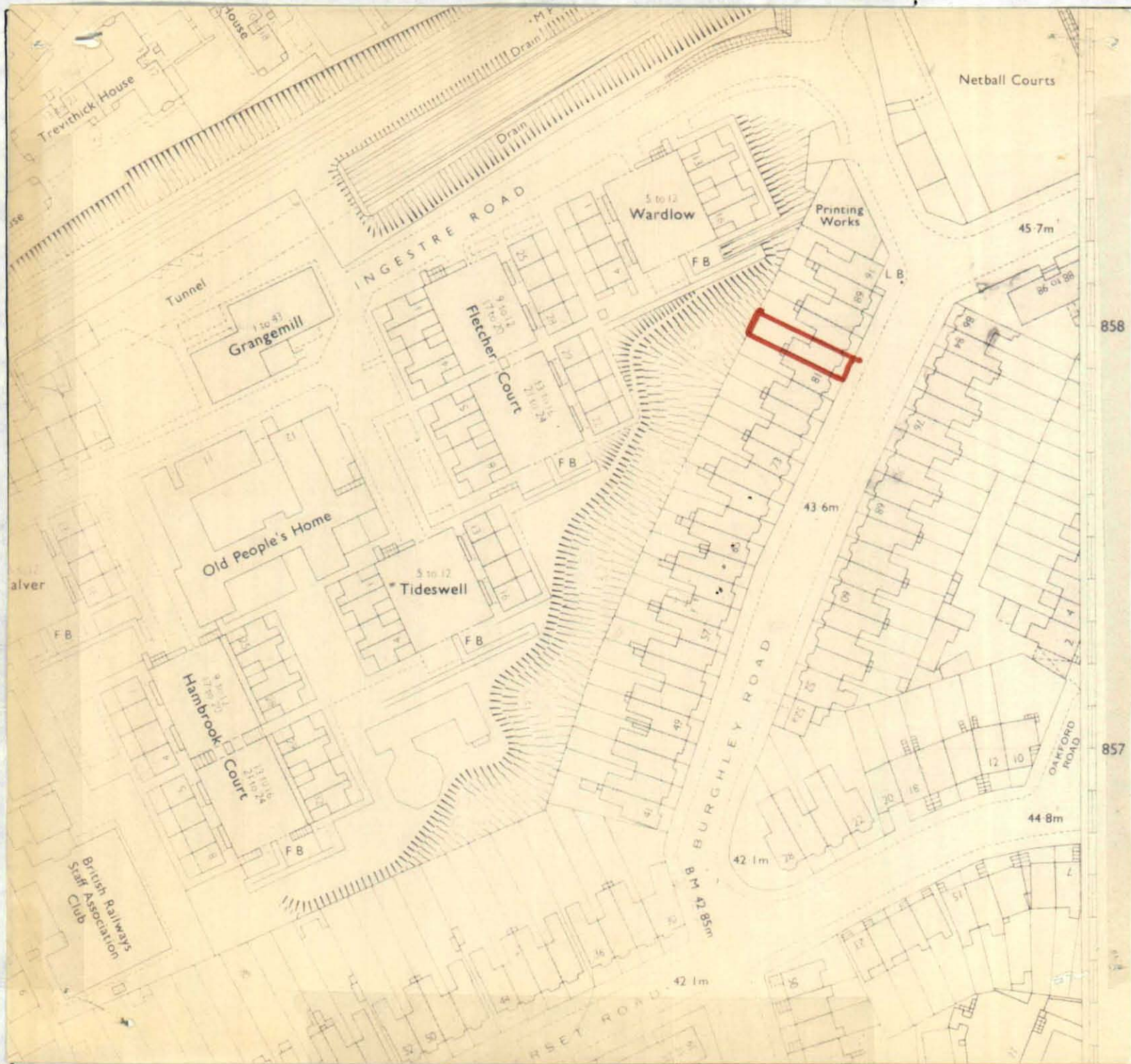


APPROVED FOR THE BOROUGH OF CAMDEN
11 JAN 1983
PLANNING DEPT

glass
(top hinged
windows)

slate
sloping
roof.

timber
faced
with
slate



MD

**London Borough of
Camden**

**Town and Country
Planning Act 1971
(section 36 & 37)**

**Application
Dated**

.....

Premises
83 Burghley Rd

.....

Verged red above

Scale 1:1250

