

DO NOT SCALE FROM THIS DRAWING

Figured dimensions only are to be taken from this drawing. All dimensions are to be checked on site before any work is put in hand. If in doubt, ask.

All SHH drawings to be read in conjunction with relevant SHH Finishes, Sanitaryware, Lighting & Ironmongery schedules. Any discrepancies to be highlighted to SHH prior to procurement and in good time.

Copyright © Spence Harris Hogan Limited 2018
Registered in England & Wales. Registered No. 261 0615
SHH is the trading name of Spence Harris Hogan Limited

Legends & Notes:

| | |
|---------|-------------------------------|
| CCF0.00 | Caenwood Cottage Ground Floor |
| CCF1.00 | Caenwood Cottage First Floor |
| GHF0.00 | Gatehouse Ground Floor |
| GHF1.00 | Gatehouse First Floor |
| CCSK00 | Caenwood Cottage Rooflight |
| GHSK00 | Gatehouse Rooflight |
| VS | Vibration Sensor |
| MC | Magnetic Contact |

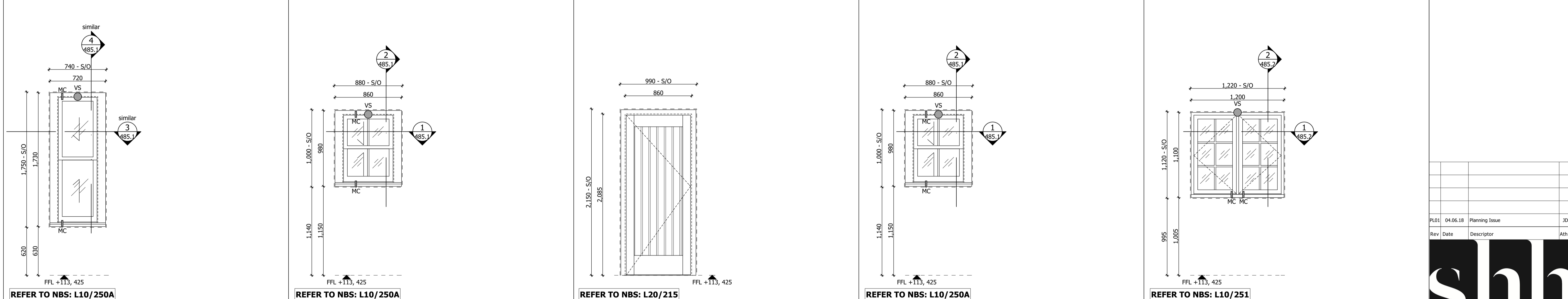
- General Notes:
- All fenestration profiles and weather-proofing show design intent only - TBC by window manufacturer
 - Glazing within risk areas to be toughened in accordance with BS6206
 - All fenestration structural openings to be measured and checked on site by manufacturer prior to fabrication
 - All systems' products to be installed to manufacturer specifications and details
 - Position of magnetic contacts and vibration sensors subject to approval by suppliers and installers
 - All fenestration details are indicative only. Construction details by window manufacturer subject to Architect approval
 - All windows and external doors to receive routed in seals

| Item | Push Side Type | Push Side Finish | Pull Side Type | Pull Side Finish | Notes |
|---------------|----------------|------------------|----------------|------------------|-------|
| Leaf | - | - | - | - | |
| Frame | - | - | - | - | |
| Sill | - | - | - | - | |
| Shutters | - | - | - | - | |
| Architraves | - | - | - | - | |
| Reveal Lining | - | - | - | - | |
| Glazing | - | - | - | - | |

| Item | Push Side Type | Push Side Finish | Pull Side Type | Pull Side Finish | Notes |
|---------------------|----------------|------------------|----------------|------------------|-------|
| Handle | - | - | - | - | |
| Fastener/ Lock | - | - | - | - | |
| Stay (C)/ Stop (S) | - | - | - | - | |
| Hinge/ Sliding Gear | - | - | - | - | |
| Trickle Vent | - | - | - | - | |
| Seals | - | - | - | - | |
| Misc. Accessories | - | - | - | - | |

Notes: - Existing window to be removed and to not be retained
- Refer to NBS: L10/251

| Reference | Location | New / Existing | Reference | Location | New / Existing | Reference | Location | New / Existing | Reference | Location | New / Existing | Reference | Location | New / Existing | | | |
|----------------|---------------|-----------------|----------------|---------------------------|-------------------------|----------------|---------------------------|-----------------|----------------|---------------------------|-------------------------|----------------|-----------|-----------------|-----|---------|-------------------------|
| GHF0.06 | GHG.02 Living | New | GHF0.07 | GHG.06 Secondary Entrance | New | GHF0.08 | GHG.06 Secondary Entrance | New | GHF0.09 | GHG.06 Secondary Entrance | New | GHF0.10 | GHG.04 WC | New | | | |
| Fire Rating | N/A | Acoustic Rating | N/A | U Value | 0.16 W/m ² K | Fire Rating | N/A | Acoustic Rating | N/A | U Value | 0.16 W/m ² K | Fire Rating | N/A | Acoustic Rating | N/A | U Value | 0.16 W/m ² K |



| Item | Push Side Type | Push Side Finish | Pull Side Type | Pull Side Finish | Notes |
|---------------|----------------|------------------|----------------|------------------|-------|
| Leaf | - | - | - | - | |
| Frame | - | - | - | - | |
| Sill | - | - | - | - | |
| Shutters | - | - | - | - | |
| Architraves | - | - | - | - | |
| Reveal Lining | - | - | - | - | |
| Glazing | - | - | - | - | |

| Item | Push Side Type | Push Side Finish | Pull Side Type | Pull Side Finish | Notes |
|---------------------|----------------|------------------|----------------|------------------|-------|
| Handle | - | - | - | - | |
| Fastener/ Lock | - | - | - | - | |
| Stay (C)/ Stop (S) | - | - | - | - | |
| Hinge/ Sliding Gear | - | - | - | - | |
| Trickle Vent | - | - | - | - | |
| Seals | - | - | - | - | |
| Misc. Accessories | - | - | - | - | |

Notes: - New window to existing opening
- Refer to NBS: L10/250A

| | | | |
|------|----------|----------------|-------|
| PL01 | 04.06.18 | Planning Issue | JD |
| Rev | Date | Descriptor | Athr. |

SHH ARCHITECTS | INTERIOR DESIGNERS

RIBA MEMBER

Chartered Practice

1 Vencourt Place, Ravenscourt Park
Hammer Smith, London W6 9NU
Phone: +44 (0) 20 8600 4171 Email info@shh.co.uk
shh.co.uk

Athlone House - Gate House

Hampstead Lane
London

Client:
Private Client

Drawing Title:
400 Construction Details

Fenestration Schedule