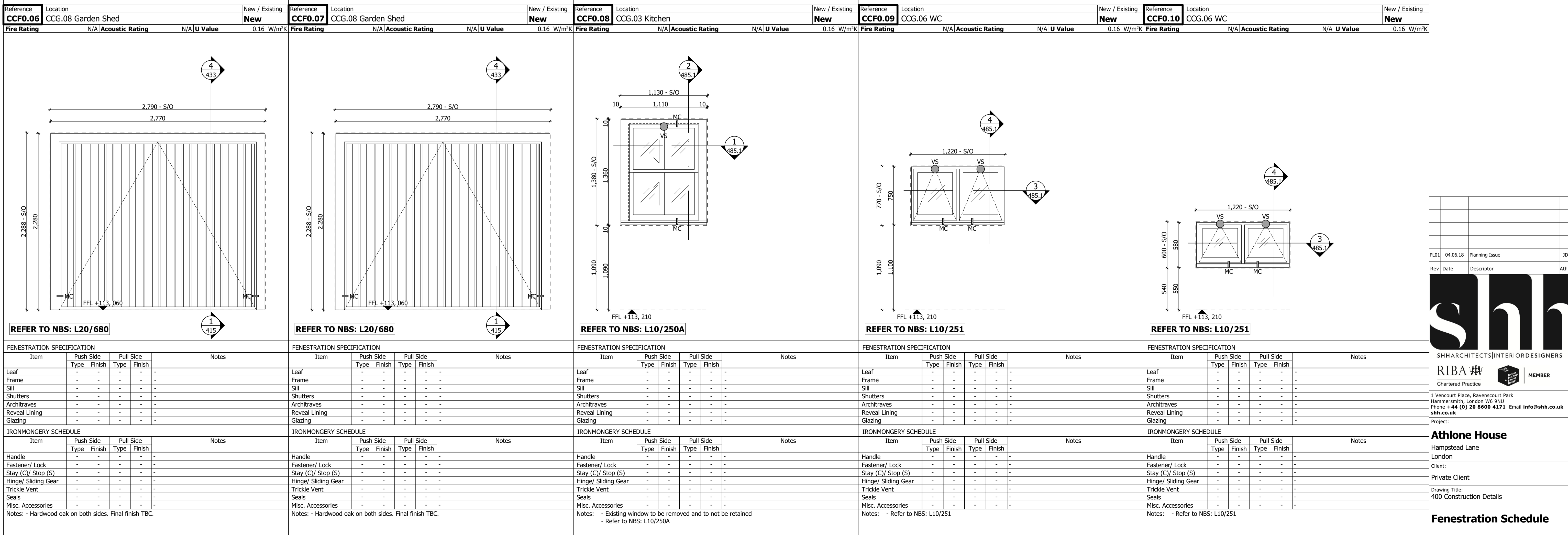


FENESTRATION SPECIFICATION					
Item	Push Side Type	Push Side Finish	Pull Side Type	Pull Side Finish	Notes
Leaf	-	-	-	-	
Frame	-	-	-	-	
Sill	-	-	-	-	
Shutters	-	-	-	-	
Architraves	-	-	-	-	
Reveal Lining	-	-	-	-	
Glazing	-	-	-	-	

IRONMONGERY SCHEDULE					
Item	Push Side Type	Push Side Finish	Pull Side Type	Pull Side Finish	Notes
Handle	-	-	-	-	
Fastener/ Lock	-	-	-	-	
Stay (C)/ Stop (S)	-	-	-	-	
Hinge/ Sliding Gear	-	-	-	-	
Trickle Vent	-	-	-	-	
Seals	-	-	-	-	
Misc. Accessories	-	-	-	-	

Notes: - Existing window to be removed and to not be retained
- Refer to NBS: L10/250A



FENESTRATION SPECIFICATION					
Item	Push Side Type	Push Side Finish	Pull Side Type	Pull Side Finish	Notes
Leaf	-	-	-	-	
Frame	-	-	-	-	
Sill	-	-	-	-	
Shutters	-	-	-	-	
Architraves	-	-	-	-	
Reveal Lining	-	-	-	-	
Glazing	-	-	-	-	

IRONMONGERY SCHEDULE					
Item	Push Side Type	Push Side Finish	Pull Side Type	Pull Side Finish	Notes
Handle	-	-	-	-	
Fastener/ Lock	-	-	-	-	
Stay (C)/ Stop (S)	-	-	-	-	
Hinge/ Sliding Gear	-	-	-	-	
Trickle Vent	-	-	-	-	
Seals	-	-	-	-	
Misc. Accessories	-	-	-	-	

Notes: - Existing window to be removed and to not be retained
- Refer to NBS: L10/250A

DO NOT SCALE FROM THIS DRAWING
Figured dimensions only are to be taken from this drawing. All dimensions are to be checked on site before any work is put in hand. If in doubt, ask.
All SHH drawings to be read in conjunction with relevant SHH Finishes, Sanitaryware, Lighting & Ironmongery schedules.
Any discrepancies to be highlighted to SHH prior to procurement and in good time.
Copyright © Spence Harris Hogan Limited 2018
Registered in England & Wales. Registered No. 261 0615
SHH is the trading name of Spence Harris Hogan Limited

- Legends & Notes:
- CCF0.00 Caenwood Cottage Ground Floor
 - CCF1.00 Caenwood Cottage First Floor
 - GHF0.00 Gatehouse Ground Floor
 - GHF1.00 Gatehouse First Floor
 - CCSK00 Caenwood Cottage Rooflight
 - GHSK00 Gatehouse Rooflight
 - VS Vibration Sensor
 - MC Magnetic Contact

- General Notes:
- All fenestration profiles and weather-proofing show design intent only - TBC by window manufacturer
 - Glazing within risk areas to be toughened in accordance with BS6206
 - All fenestration structural openings to be measured and checked on site by manufacturer prior to fabrication
 - All systems' products to be installed to manufacturer specifications and details
 - Position of magnetic contacts and vibration sensors subject to approval by suppliers and installers
 - All fenestration details are indicative only. Construction details by window manufacturer subject to Architect approval
 - All windows and external doors to receive routed in seals

PL01	04.06.18	Planning Issue	JD
Rev	Date	Descriptor	Athr.

SHH ARCHITECTS | INTERIOR DESIGNERS
RIBA MEMBER
Chartered Practice

1 Vencourt Place, Ravenscourt Park
Hammer Smith, London W6 9NU
Phone: +44 (0) 20 8600 4171 Email info@shh.co.uk
shh.co.uk

Athlone House
Hampstead Lane
London
Client:
Private Client
Drawing Title:
400 Construction Details
Fenestration Schedule
(Project number)DWG number_Revision: (817)CC-480.1_PL01 Checked: AT