

▲ During installation



▲ Nest in 1SP

Different species of Sparrows can be found around our human homes:

House Sparrow (*Passer domesticus*): These Birds thrive in areas cultivated by man, from villages to large cities.

Tree Sparrow (*Passer montanus*): Also widely distributed throughout towns and villages as well as the surrounding fields, farms, woodlands and hedges, and woodlands bordering rivers and streams.

General details: While nesting and raising their young both types of Sparrow feed exclusively on Insects, especially Arthropods (insects with segmented legs). Therefore, their traditional role in keeping down pests and maintaining the balance of nature is a very important one, though not always recognised.

Recently the numbers of both species have declined substantially and in some areas they are now rarely seen. Long term studies have confirmed this drastic reduction in their numbers across Europe. The causes include the clearance and monotonous nature of rural areas, the sterility of many gardens and landscaped areas, and the use of chemicals in agriculture and gardens. The survival of these species is particularly threatened by widespread building renovation and clearance which denies them many nesting possibilities.

» SPARROW TERRACE 1SP

Occupants: House and Tree Sparrows, and in some instances other Birds which use nest boxes such as Tits, Redstarts and Spotted Flycatchers.

Material: SCHWEGLER wood-concrete.

Siting: On all types of houses in built-up areas, and on industrial and agricultural buildings such as barns, sheds and factories.

Installation height: 2 metres or more above ground level.

Dimensions of the three brood chambers:

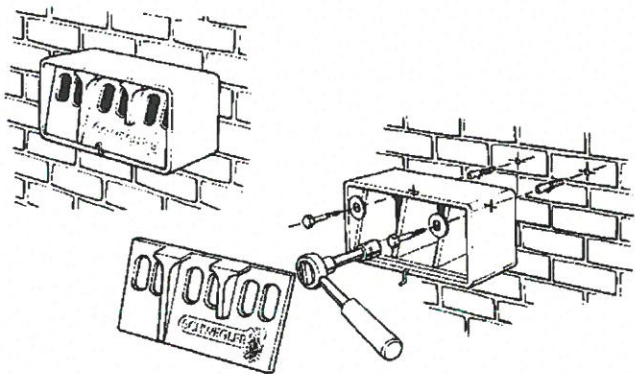
W 10.5 x H 16 x D 15 cm (each).

External dimensions: W 43 x H 24.5 x D 20 cm.

Weight: approx. 15 kg.

Includes: 1SP, screws and plugs.

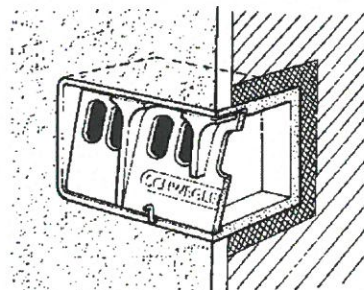
Order No. 00 590/8



▲ Simple surface installation using the plugs and screws supplied



▲ 1SP built into a wall



▲ Complete installation as a nesting block within brick or concrete walls. To avoid heat-conduction please also use wall insulation, or install at a suitable depth in the wall

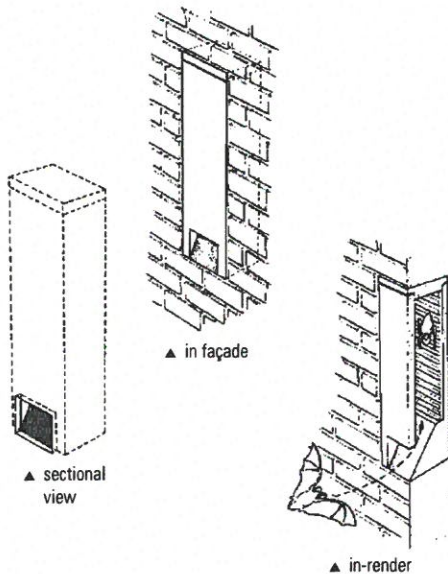
» BAT TUBE 1FR for installation in walls



▲ Example of installation



▲ Parti-coloured Bat



The tube is designed as a Bat summer roost for bricking-into the external walls of buildings. Due to its small depth of 12.5 cm it is also very suitable for installing in the thermal insulation. The characteristic behavioural needs of building-inhabiting Bat species have been incorporated in the tube principle. A wooden panel on the inside with long-term resistance ensures that the animals can cling onto the wooden side or the opposite panel (made of breathable wood-concrete). This Bat Tube is maintenance-free, as the droppings can fall slowly downwards, via the special droppings chute.

Installation: Install in façades (brick-in or render-in), in concrete (for example, in bridge structures), or retrofit under weather-boarding during renovation work, etc. If installed on walls brackets must be used: these must be supplied on site and are not included.

Material: Breathable SCHWEGLER wood-concrete.

Colour: 1FR is delivered in "natural grey".

It can be painted at any time with standard breathable façade paint.

Miscellaneous: If bats get inside the building, we recommend the 2FR model.

Entrance: W 15 x H 9 x D 2 cm.

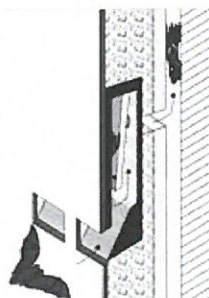
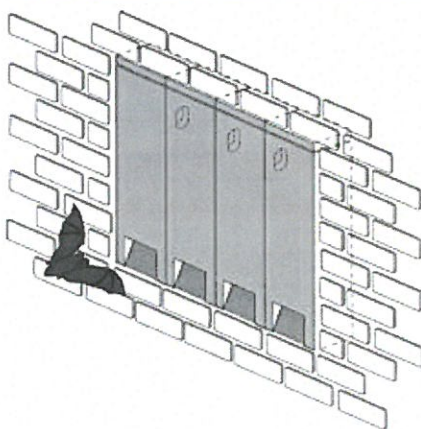
External dimensions: W 20 x H 47.5 x D 12.5 cm.

Weight: approx. 9.8 kg.

Includes: Bat Tube 1FR.

Order No. 00 750/6

» MULTIPLE BAT TUBES 2FR for installation in walls



▲ Installation example:
Rear open without rear panel

The Multiple Bat Tubes 2FR is a modified version of Type 1FR described above. Formed by installing a row of several units side-by-side, colony roosts can be created with any size required. The individual units of the 2FR are connected by preformed passages made in the sides of the units. With three different crevice types per element and integrated passageway system as access to existing building roosts. A special feature is an optional through-passage provided in the rear of the element. Material, dimensions and weight: see 1FR. We recommend joining at least 3 units per roost.

Material: Breathable SCHWEGLER wood-concrete.

Entrance: W 15 x H 9 x D 2 cm.

External dimensions:
W 20 x H 47.5 x D 12.5 cm.

Weight: approx. 9.8 kg.

Includes: 1x Bat Tube 2FR.

Order No. 00 755/1



▲ Installation example with
3 elements