



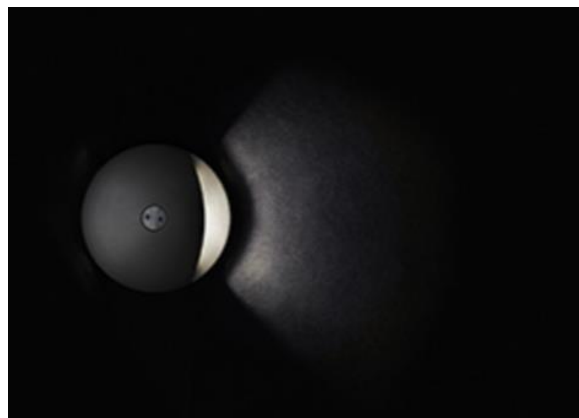
ideaworks™

LUMINAIRE SPECIFICATION

4395-LS-99

PROJECT:	Athlone House – External Fittings (Landscape and Architecture)
DATE:	29/01/2018
DESIGNER:	OW
REVISION:	B
REVISION DATE:	21/05/2018
CHECKED BY:	FNP

REV:	DATE:	DESCRIPTION:
FI	29/01/2018	For Information (Not for issue to wider design team)
A	06/04/2018	For Information (Not for issue to wider design team)
B	21/05/2018	For Information

**Description:**

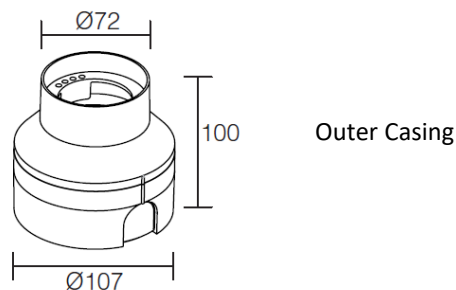
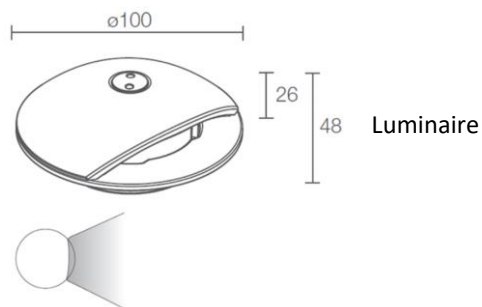
Recessed for outdoor applications single beam; drive-over up to 2000 kg; recessed (ground); body in AISI 316L stainless steel, screen in polycarbonate.

Location:

Landscape - Entrance Roadway, Steps on main house terrace

Ingress Protection: IP67 / IK08**Lamp Source:** 2W LED**Lumen Output:** 85lm**Luminaire Efficacy:** 42.5lm/W**Colour Temperature:** 2700K**Colour Rendering:** 80**Optic:** 10° Beam**Installation:** In-ground**Dimensions:** Ø100mm x 26mm**Cut Out:** Ø107mm**Ceiling Void:** N/A**Driver Location:** Remote (PSU Hub)**Control:** On Lighting Control System**Fixing Type:** Outer Casing**Finish Options:**

- AISI 316 Stainless Steel (Pictured)



**Special finishes may incur additional cost and extended lead times*

Additional Notes:

**Description:**

LD51 is a miniature IP67 rated, surface mounted, adjustable LED spotlight. The ground spike is manufactured out of stainless steel and then painted to match the LD51 body.

Location:

Landscape - Pathway in North Woodland

Ingress Protection: IP67

Lamp Source: 2.4W LED

Lumen Output: 174lm

Luminaire Efficacy: 72.5lm/W

Colour Temperature: 2700K

Colour Rendering: 93

Optic: 31° beam

Installation: Spike Mounted

Dimensions: Ø35mm x 64mm (head)

Cut Out: N/A

Ceiling Void: N/A

Driver Location: Remote (PSU Hub)

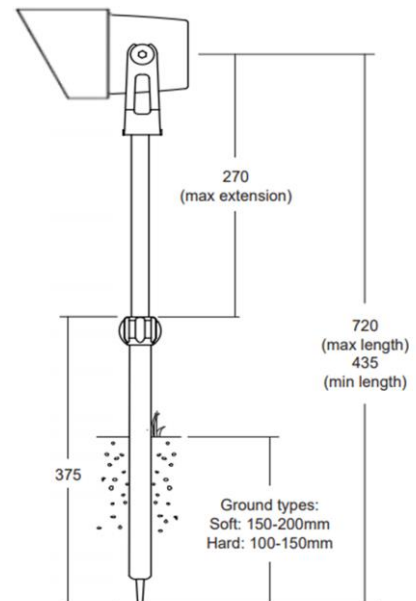
Control: On Lighting Control System

Fixing Type: Spike Mounted

Finish Options:

- Black Anodised (Pictured)

**Special finishes may incur additional cost and extended lead times*

**Additional Notes:**



Fitting



Insertion Box



Spread Lens

Description:

Compact inground adjustable projector equipped with LED sources. Gimbal adjustable up to 20° on the vertical axis and up to 350° on the horizontal axis.

Location:

Main House Exterior – East elevation: Arches of Porte Cochere

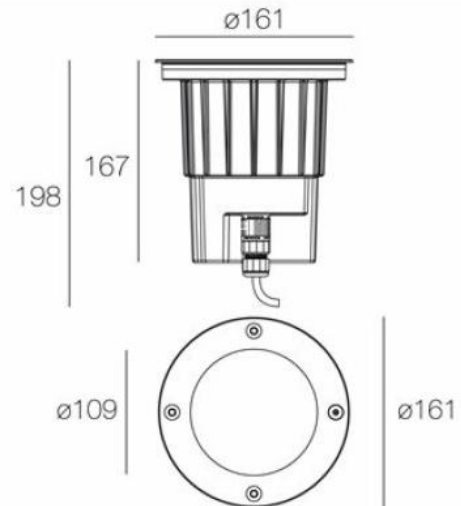
Ingress Protection: IP66**Lamp Source:** 11W LED**Lumen Output:** 593lm**Luminaire Efficacy:** 54lm/W**Colour Temperature:** 3000K (2700K with filter)**Colour Rendering:** CRI 80**Optic:** 11° beam (note that this is made elliptical by spreader lens)**Installation:** Recessed In-Ground**Dimensions:** Ø161mm x 198mm (fitting)**Cut Out:** Ø166mm x 200mm (insertion box)**Ceiling Void:** N/A**Driver Location:** Remote**Control:** On lighting control system

Fixing Type: Recessed with insertion box

Finish Options:

- Stainless Steel Ring
- Spread Lens
- Colour shift filter

**Special finishes may incur additional cost and extended lead times*



Fitting

Additional Notes:

**Description:**

Recessed inground luminaire LED source with optics beam angle shape and spread. Low glare and black anodised body.

Location:

Caenwood Cottage Exterior – Garage Entrance

Ingress Protection: IP67**Lamp Source: 8W LED**

Lumen Output: 780lm

Luminaire Efficacy: 97.5lm/W

Colour Temperature: 2700K

Colour Rendering: 80

Optic: 14° beam

Installation: In-ground

Dimensions: Ø180mm x 151mm

Cut Out: Ø170mm (diameter of outer casing)

Ceiling Void: N/A

Driver Location: Remote (PSU Hub)

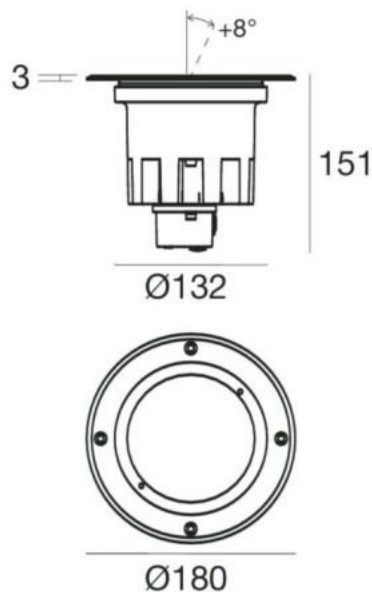
Control: On lighting Control System

Fixing Type: Outer Casing (84933)

Finish Options:

- Stainless Steel

**Special finishes may incur additional cost and extended lead times*

**Additional Notes:**

**Description:**

LD51 is a miniature IP67 rated, surface mounted, adjustable LED spotlight. The ground spike is manufactured out of stainless steel and then painted to match the LD51 body.

Location:

Landscape - Sunk Garden Planters

Ingress Protection: IP67

Lamp Source: 2.4W LED

Lumen Output: 174lm

Luminaire Efficacy: 72.5lm/W

Colour Temperature: 2700K

Colour Rendering: 93

Optic: 31° beam

Installation: Spike Mounted

Dimensions: Ø35mm x 64mm (head)

Cut Out: N/A

Ceiling Void: N/A

Driver Location: Remote (PSU Hub)

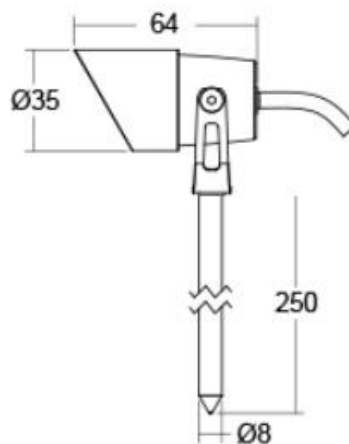
Control: On Lighting Control System

Fixing Type: Spike Mounted

Finish Options:

- Black Anodised (Pictured)

**Special finishes may incur additional cost and extended lead times*

**Additional Notes:**

**Description:**

LD51 is a miniature IP67 rated, surface mounted, adjustable LED spotlight. The ground spike is manufactured out of stainless steel and then painted to match the LD51 body.

Location:

Landscape - Pavilion Gardens

Ingress Protection: IP67

Lamp Source: 2.4W LED

Lumen Output: 174lm

Luminaire Efficacy: 72.5lm/W

Colour Temperature: 2700K

Colour Rendering: 93

Optic: 31° beam

Installation: Spike Mounted

Dimensions: Ø35mm x 64mm (head)

Cut Out: N/A

Ceiling Void: N/A

Driver Location: Remote (PSU Hub)

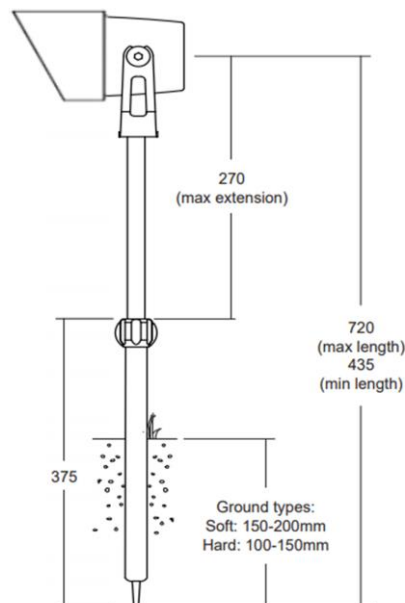
Control: On Lighting Control System

Fixing Type: Spike Mounted

Finish Options:

- Black Anodised (Pictured)

**Special finishes may incur additional cost and extended lead times*

**Additional Notes:**



Finish: Grey

Description:

Once installed, this fitting is totally flush to the floor. Thanks to its extreme flatness, there are no junction points or discontinuities at sight and only glass is visible.

Location:

Main House Exterior – New Wing highlights to brickwork (east and west elevations). Pavilion Exterior – Highlights to brickwork

Ingress Protection: IP67

Lamp Source: 2W LED

Lumen Output: 150lm

Luminaire Efficacy: 75lm/W

Colour Temperature: 2700K

Colour Rendering: CRI >80

Optic: 10° beam angle

Installation: Recessed In-ground

Dimensions: 35mm x 35mm x 65mm

Cut Out: Ø38mm (recessed back box)

Ceiling Void: N/A

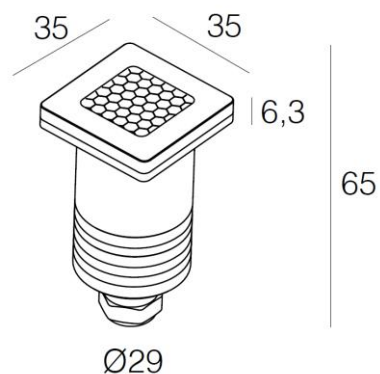
Driver Location: Remote

Control: On lighting control system

Fixing Type: Recessed In-Ground

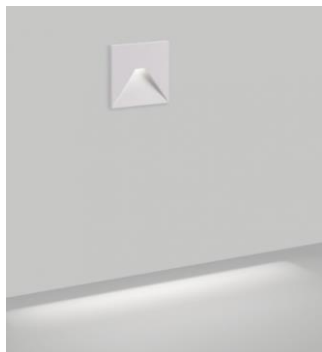
Finish Options:

- Grey beneath glass bezel



**Special finishes may incur additional cost and extended lead times*

Additional Notes:

**Description:**

The Logic stands for a complete range of water and shock resistant lighting fixtures. Thanks to the use of powerful led arrays, these wall and floor recessed fixtures deliver an intense light effect.

Location:

Main House Exterior – Pool hall doorways and master bedroom roof terrace.

Caenwood Cottage Exterior - Adjacent to door.

Ingress Protection: IP54

Lamp Source: 0.6W LED

Lumen Output: 4lm (luminaire)

Luminaire Efficacy: 6.7lm/W

Colour Temperature: 2700K

Colour Rendering: CRI 80

Optic: 90° beam angle (approx)

Installation: Wall Recessed

Dimensions: 62mm x 62mm

Cut Out: Ø60mm (back box)

Ceiling Void: N/A

Driver Location: Remote

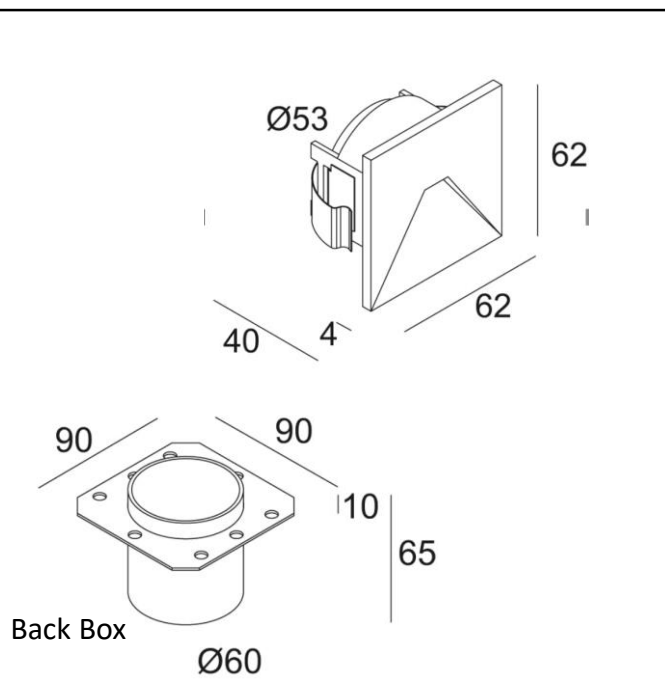
Control: On Lighting Control System

Fixing Type: Wall Recessed in back box

Finish Options:

- White

**Special finishes may incur additional cost and extended lead times*

**Additional Notes:**

**Description:**

An AISI 316 stainless steel underwater spotlight with powerLED source. Specifically conceived for underwater applications, Vigilant offers total protection against water.

Location:

Landscape - Submerged in Entrance Fountain, fountain at second entrance.

Ingress Protection: IP68

Lamp Source: 12W LED

Lumen Output: 1205lm

Luminaire Efficacy: 100lm/W

Colour Temperature: 2700K

Colour Rendering: 93

Optic: 55° beam

Installation: Surface Mounted

Dimensions: 187mm x 154mm

Cut Out: N/A

Ceiling Void: N/A

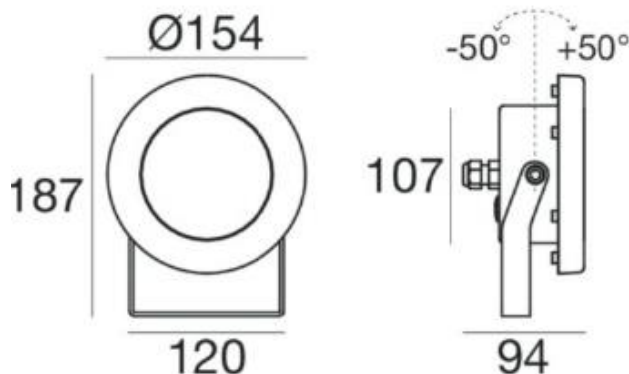
Driver Location: Remote (PSU Hub)

Control: On Lighting Control System

Fixing Type: Adjustable Bracket

Finish Options:

- AISI 316 Stainless Steel (Pictured)



**Special finishes may incur additional cost and extended lead times*

Additional Notes:

LUMINAIRE REF

X10



PROJECT:

4395

REVISION:

B

DATE:

21/05/2018



ideaworks™

Decorative Fitting by SHH

Description:

Pendant by Interior Designer (SHH)

Location:

Main House Exterior – Porte Cochere

Additional Notes:

LUMINAIRE REF

X11



PROJECT:

4395

REVISION:

B

DATE:

21/05/2018



ideaworks™

Decorative Fitting by SHH

Description:

Floor Lanterns by Interior Designer (SHH)

Location:

Landscape - Main House Terrace

Additional Notes:

LUMINAIRE REF

X12



PROJECT:

4395

REVISION:

B

DATE:

21/05/2018



ideaworks™

Decorative Fitting by SHH

Description:

Pillar Lanterns by Interior Designer (SHH)

Location:

Landscape - On pillars at Hampstead Lane Entrance

Additional Notes:

**Description:**

The Ultimo Neon Flex bends vertically, making it adaptable to many situations. The Ultimo's tough PVC offers UV and water ingress protection. The smooth dot free light will create a feature in any space.

Location:

Landscape - Entrance Fountain, Main House Terrace - Japanese Baths, Waterfall feature north of pool hall. Pavillion Exterior – Japanese Baths

Ingress Protection: IP68

Lamp Source: 11W/m

Lumen Output: 535lm/m

Luminaire Efficacy: 48.6lm/W/m

Colour Temperature: 2700K

Colour Rendering: 80+

Optic: 160° beam

Installation: Concealed within Detail

Dimensions: 20.5mm x 22mm (profile with clips)

Cut Out: N/A

Ceiling Void: N/A

Driver Location: Remote (PSU Hub)

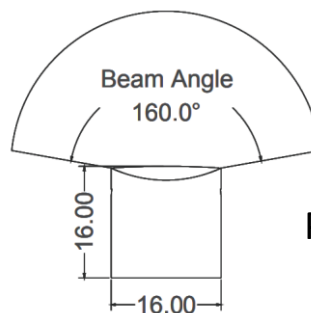
Control: On Lighting Control System

Fixing Type: SL-TN Profile & Clips at regular intervals

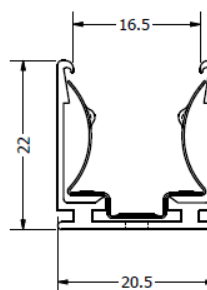
Finish Options:

- N/A

**Special finishes may incur additional cost and extended lead times*



PROFILE



CLIP

Additional Notes:

**Description:**

The Ultimo Neon Flex bends vertically, making it adaptable to many situations. The Ultimo's tough PVC offers UV and water ingress protection. The smooth dot free light will create a feature in any space.

Location:

Landscape – Lighting underside of sunken garden fountain

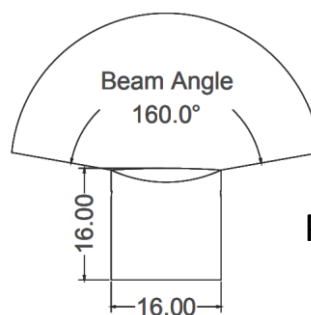
Ingress Protection: IP68**Lamp Source:** 11W/m**Lumen Output:** 504lm/m**Luminaire Efficacy:** 46lm/W/m**Colour Temperature:** 2700K**Colour Rendering:** 80+**Optic:** 160° beam**Installation:** Semi recessed in ground material**Dimensions:** 20.5mm x 22mm (profile with clips)**Cut Out:** N/A**Ceiling Void:** N/A**Driver Location:** Remote (PSU Hub)**Control:** On Lighting Control System

Fixing Type: SL-TN Profile & Clips at regular intervals

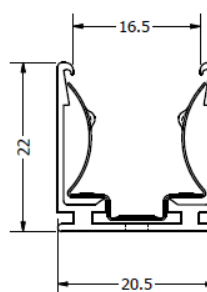
Finish Options:

- N/A

**Special finishes may incur additional cost and extended lead times*



PROFILE



CLIP

Additional Notes:



Decorative Fitting by SHH

Description:

Wall Light by Interior Designer (SHH)

Location:

Main House Exterior – Either side of: Large bay window (south elevation), Living area doors (west elevation), Relaxation area doors (west elevation), Secondary entrance porch. Also above piers at service yard entrance gate.

Gatehouse Exterior – Adjacent to front door and side door.

Caenwood Cottage Exterior – Adjacent to main entrance door.

Boathouse – Adjacent to door.

Pavilion Exterior – Entrance doors on East side

Additional Notes:



Fitting



Shutter



Spread Lens



Insertion Box

Description:

Compact inground adjustable projector equipped with LED sources. Gimbal adjustable up to 20° on the vertical axis and up to 350° on the horizontal axis.

Location:

Main House Exterior – East elevation: underside of Oriel bay (window to treatment room)

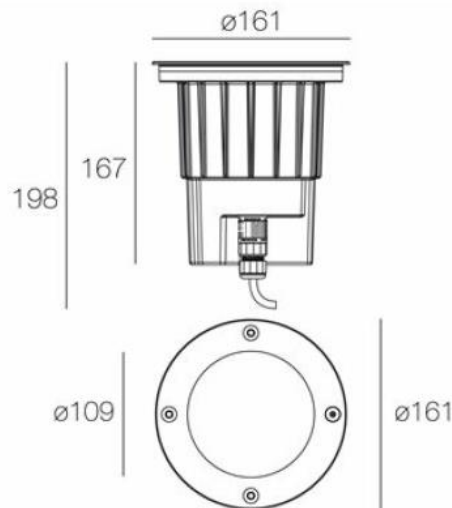
Ingress Protection: IP66**Lamp Source:** 11W LED**Lumen Output:** 593lm**Luminaire Efficacy:** 54lm/W**Colour Temperature:** 3000K (2700K with filter)**Colour Rendering:** CRI 80**Optic:** 11° beam (note that this is made elliptical by spreader lens)**Installation:** Recessed In-Ground**Dimensions:** Ø161mm x 198mm (fitting)**Cut Out:** Ø166mm x 200mm (insertion box)**Ceiling Void:** N/A**Driver Location:** Remote**Control:** On lighting control system

Fixing Type: Recessed with insertion box

Finish Options:

- Stainless Steel Ring
- Spread Lens
- Colour shift filter

**Special finishes may incur additional cost and extended lead times*



Fitting

Additional Notes:



Fitting



Insertion Box

Description:

Compact inground adjustable projector equipped with LED sources. Gimbal adjustable up to 20° on the vertical axis and up to 350° on the horizontal axis.

Location:

Main House Exterior – South Elevation: Below Oriel bay window of master suite

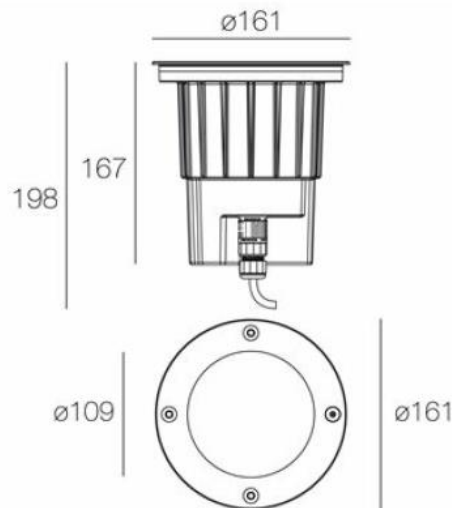
Ingress Protection: IP66**Lamp Source:** 11W LED**Lumen Output:** 593lm**Luminaire Efficacy:** 54lm/W**Colour Temperature:** 3000K (2700K with filter)**Colour Rendering:** CRI 80**Optic:** 11° beam angle**Installation:** Recessed In-Ground**Dimensions:** Ø161mm x 198mm (fitting)**Cut Out:** Ø166mm x 200mm (insertion box)**Ceiling Void:** N/A**Driver Location:** Remote**Control:** On lighting control system

Fixing Type: Recessed with insertion box

Finish Options:

- Stainless Steel Ring
- Opaque lens to prevent chromatic aberration (included with standard product code)
- Colour shift filter

**Special finishes may incur additional cost and extended lead times*



Fitting

Additional Notes:



Anti-glare cowl

Description:

Single emission projectors for outdoor application.

Location:

Main House Exterior – Tower columns (third floor)

Ingress Protection: IP66

Lamp Source: 6W LED

Lumen Output: 460lm (luminaire)

Luminaire Efficacy: 77lm/W

Colour Temperature: 2700K

Colour Rendering: CRI 80

Optic: 16° beam angle

Installation: Surface Mounted

Dimensions: 46mm x 46mm x 68mm

Cut Out: N/A

Ceiling Void: N/A

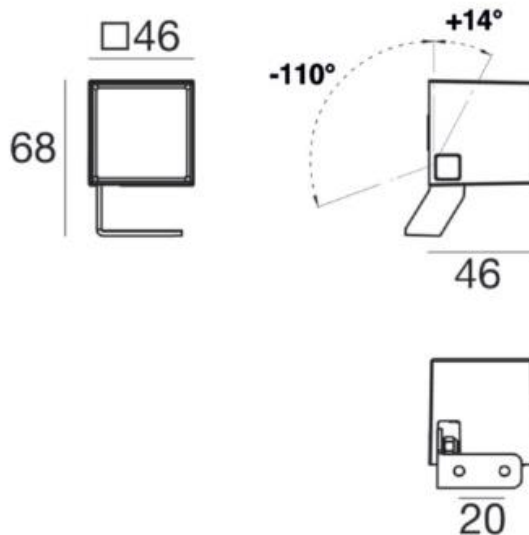
Driver Location: Remote

Control: On Lighting Control System

Fixing Type: Surface Mounted

Finish Options:

- White
- Anti-glare cowl



**Special finishes may incur additional cost and extended lead times*

Additional Notes:



Anti-glare cowl

Description:

Single emission projectors for outdoor application.

Location:

Main House Exterior – Uplight to flag on roof and internal of cupola tower.

Ingress Protection: IP66

Lamp Source: 6W LED

Lumen Output: 460lm (luminaire)

Luminaire Efficacy: 77lm/W

Colour Temperature: 2700K

Colour Rendering: CRI 80

Optic: 30° beam angle

Installation: Surface Mounted

Dimensions: 46mm x 46mm x 68mm

Cut Out: N/A

Ceiling Void: N/A

Driver Location: Remote

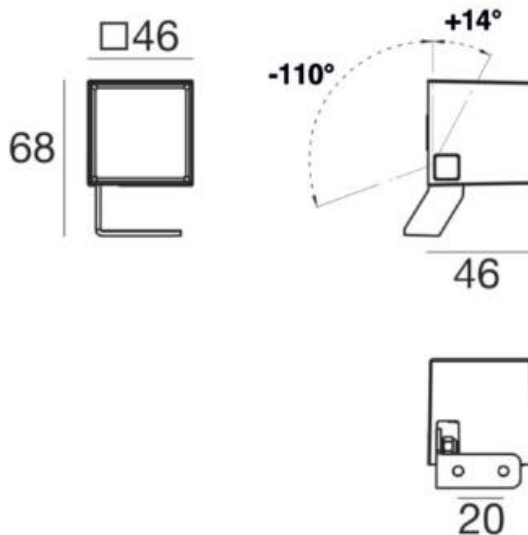
Control: On Lighting Control System

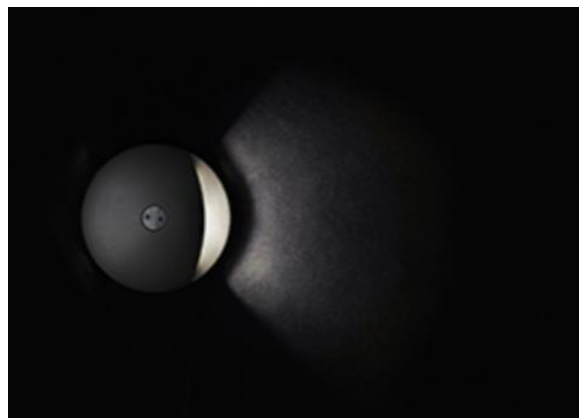
Fixing Type: Surface Mounted

Finish Options:

- White
- Anti-glare cowl

**Special finishes may incur additional cost and extended lead times*

**Additional Notes:**

**Description:**

Recessed for outdoor applications single beam; drive-over up to 2000 kg; recessed (ground); body in AISI 316L stainless steel, screen in polycarbonate.

Location:

Pavilion Exterior – Outdoor Shower

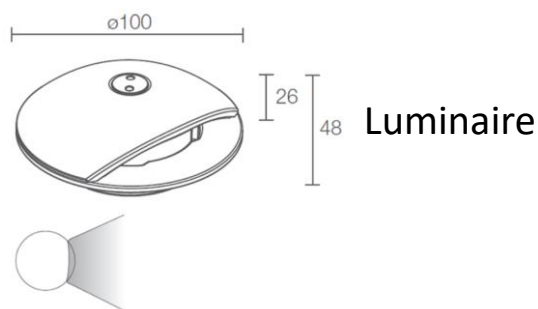
Ingress Protection: IP67**Lamp Source: 2W LED****Lumen Output: 85lm****Luminaire Efficacy: 42.5lm/W****Colour Temperature: 2700K****Colour Rendering: CRI 80****Optic: 10° beam angle****Installation: Recessed In-Ground****Dimensions: Ø100mm x 48mm****Cut Out: N/A****Ceiling Void: N/A****Driver Location: Remote****Control: On lighting control system**

Fixing Type: Attached to buried outer casing

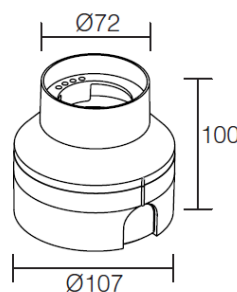
Finish Options:

- AISI 316L stainless steel (pictured)

**Special finishes may incur additional cost and extended lead times*

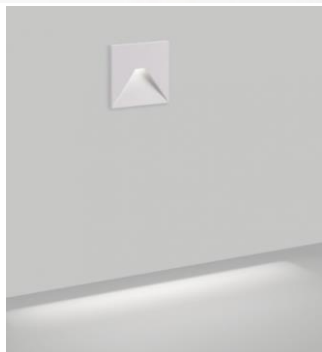


Luminaire



Outer Casing

Additional Notes:

**Description:**

The Logic stands for a complete range of water and shock resistant lighting fixtures. Thanks to the use of powerful led arrays, these wall and floor recessed fixtures deliver an intense light effect.

Location:

Pavilion Exterior – Step Lights

Ingress Protection: IP54**Lamp Source:** 0.6W LED

Lumen Output: 4lm (luminaire)

Luminaire Efficacy: 6.7lm/W

Colour Temperature: 2700K

Colour Rendering: CRI 80

Optic: 90° beam angle (approx)

Installation: Wall Recessed

Dimensions: 62mm x 62mm

Cut Out: Ø60mm (back box)

Ceiling Void: N/A

Driver Location: Remote

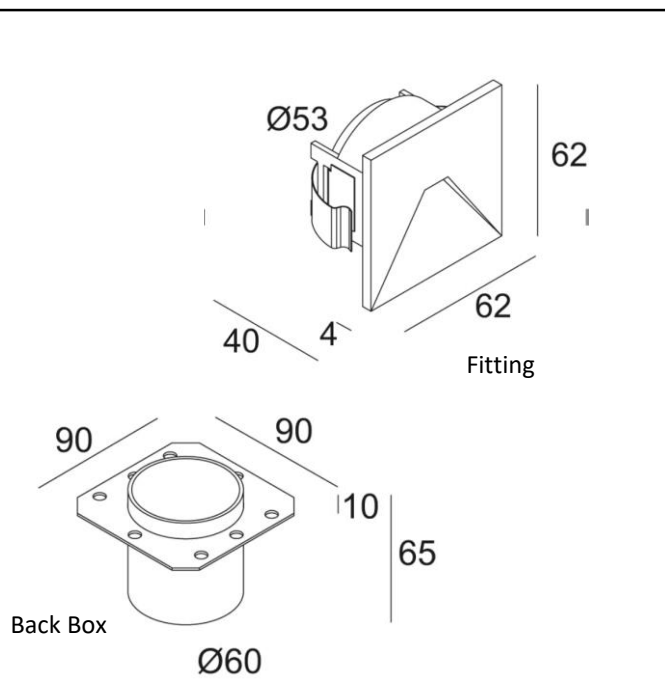
Control: On Lighting Control System

Fixing Type: Wall Recessed in back box

Finish Options:

- Alu Grey TBC with wall finish

**Special finishes may incur additional cost and extended lead times*

**Additional Notes:**

Finish could be different from X8 so will remain separate reference for time being

**Description:**

With Montur, Delta Light offers a highly original interpretation of an archetypical concept: a light source that is contained within the framing of a 3D rectangular or circular shape.

Location:

Pavilion Exterior - Terrace

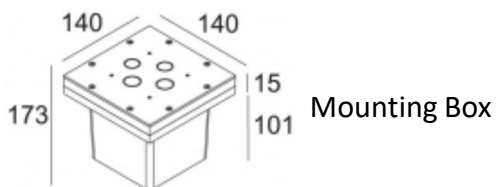
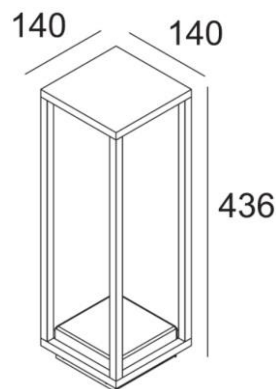
Ingress Protection: IP54**Lamp Source:** 15W LED**Lumen Output:** 771lm**Luminaire Efficacy:** 50lm/W**Colour Temperature:** 2700K**Colour Rendering:** CRI 80**Optic:** Diffused**Installation:** Floor Surface Mounted**Dimensions:** 436mm x 140mm x 140mm**Cut Out:** N/A**Ceiling Void:** N/A**Driver Location:** Integral**Control:** On lighting control system

Fixing Type: Floor Surface Mounted

Finish Options:

- Black

**Special finishes may incur additional cost and extended lead times*

**Additional Notes:**