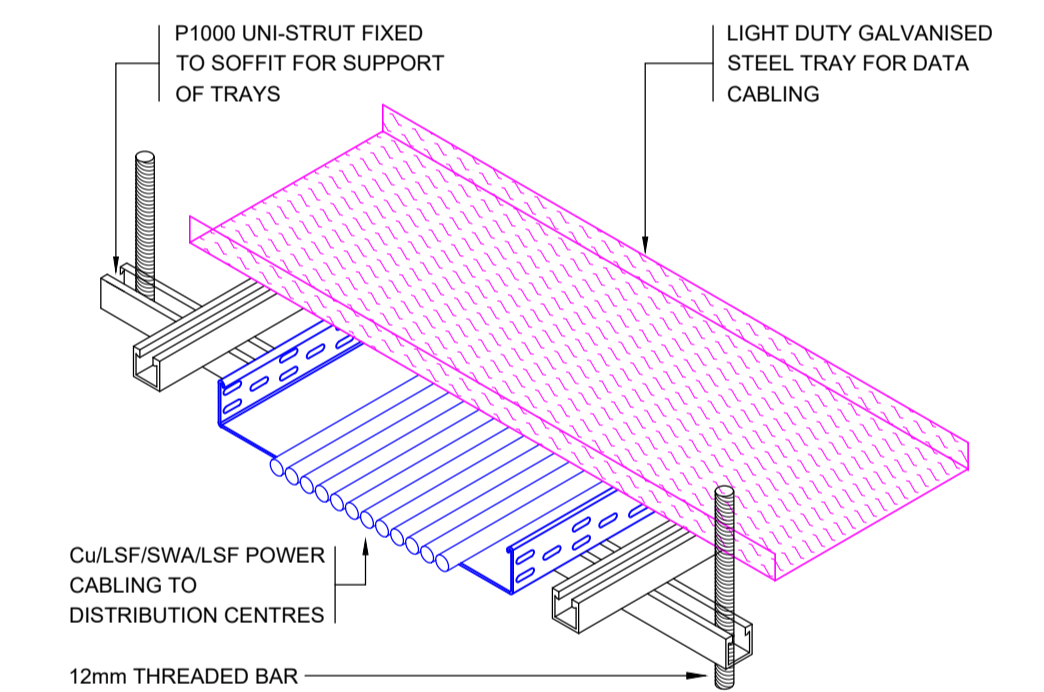


NOTES

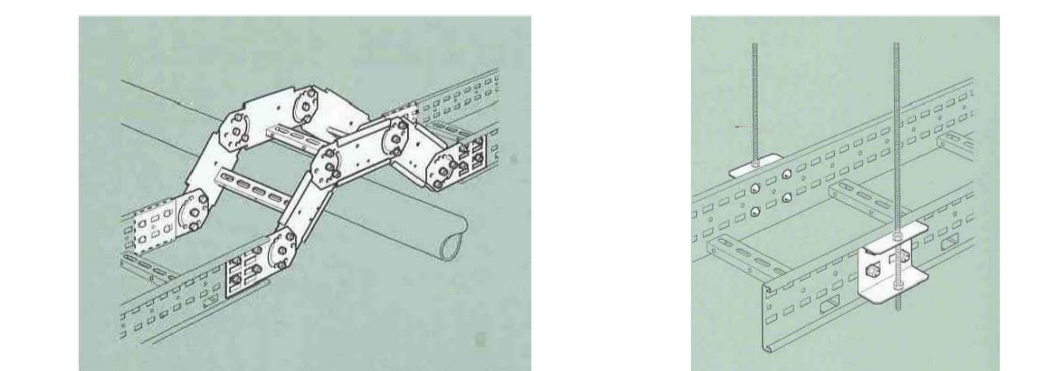
- 1.00 THIS DRAWING IS REPRESENTATIVE OF PRIMARY CONTAINMENT INSTALLATIONS. ANY ADDITIONAL CABLE CONTAINMENT OR CONDUIT RUNS REQUIRED BY THE SPECIFICATION OR REQUIRED BY THE CONTRACTOR TO PROVIDE A COMPLETE INSTALLATION WILL BE DEEMED TO BE INCLUDED.
- 2.00 THIS DRAWING IS TO READ IN CONJUNCTION WITH ALL OTHER SERVICES INSTALLATION DRAWINGS AND WITH CO-ORDINATED MECHANICAL AND ELECTRICAL DRAWINGS PREPARED BY IN2 ENGINEERING DESIGN PARTNERSHIP.
- 3.00 ALL CABLE CONTAINMENT SYSTEMS AT ROOF LEVEL SHALL BE OF GALVANISED STEEL CONSTRUCTION RAISED "OFF" THE ROOF LEVEL ON UNI-STRUT SUPPORT BRACKETS.
- 4.00 A SPACING OF 300mm WILL BE PROVIDED BETWEEN ALL L.V. POWER DISTRIBUTION CABLE TRAY / LADDER SYSTEMS AND FIRE DETECTION CONTAINMENT SYSTEMS

CABLE CONTAINMENT SYSTEM REFERENCE KEY

- GALVANISED STEEL CABLE LADDER AT HIGH LEVEL FOR SUB-MAINS CABLE INSTALLATION (SIZE AS INDICATED).
- GALVANISED STEEL TRUNKING AT HIGH LEVEL FOR LIGHTING & GENERAL SERVICES (SIZE AS INDICATED).
- GALVANISED STEEL CABLE TRAY AT HIGH LEVEL FOR BMS & ELV CONTROL CABLING (SIZE AS INDICATED).
- GALVANISED STEEL CABLE TRAY AT HIGH LEVEL FOR FIRE ALARM CABLING (SIZE AS INDICATED).
- GALVANISED STEEL CABLE TRAY AT HIGH LEVEL FOR I.T. STRUCTURED CABLING (SIZE AS INDICATED).



DETAIL OF CABLE TRAY CROSS OVER



CABLE LADDER STEP OVER PIPE      CABLE LADDER HANGERS

- S1 ISSUED FOR COORDINATION
- S2 ISSUED FOR INFORMATION
- S3 ISSUED FOR INTERNAL REVIEW AND COMMENT
- S4 ISSUED FOR CONSTRUCTION APPROVAL

NOTE: ARCHITECTURAL DRAWING USED FOR COMPILATION OF IN2 DRAWING. ARCHITECTURAL DRAWING REVISION: P1 DATE RECEIVED: 12.01.2018

STATUS	DATE	DESCRIPTION	DRN	ENG	APP	REV
S3	11.05.2018	PRELIMINARY ISSUE	JDT	JW	BF	P1

**IN2**  
ENGINEERING DESIGN PARTNERSHIP  
DUBLIN . ATHLONE . BELFAST . LONDON



PROJECT  
**BELSIZE PARK FIRESTATION**

CLIENT  
**PLATINUM LAND**

DRAWING TITLE  
ELECTRICAL SERVICES INSTALLATION  
GROUND FLOOR LEVEL - UNITS 13 & 14  
CABLE CONTAINMENT SERVICES LAYOUT

SCALE  
1:100 @ A1  
1:200 @ A3

SIZE  
**A1**

PROJECT REF:  
**L18051**

DRAWING No.  
L18051-IN2-00-00-DR-E-7002

STATUS  
**S3**

REVISION  
**P1**