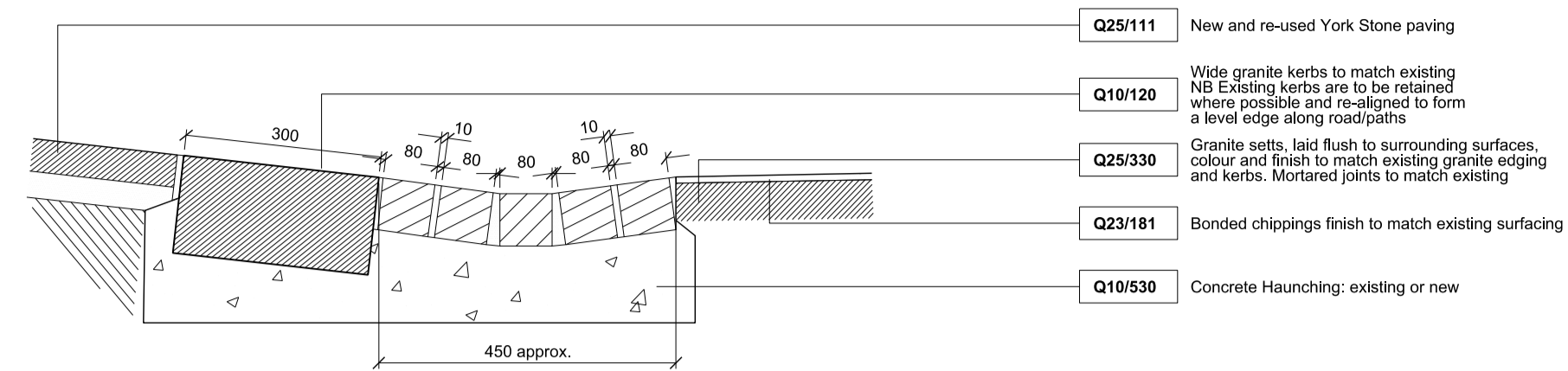


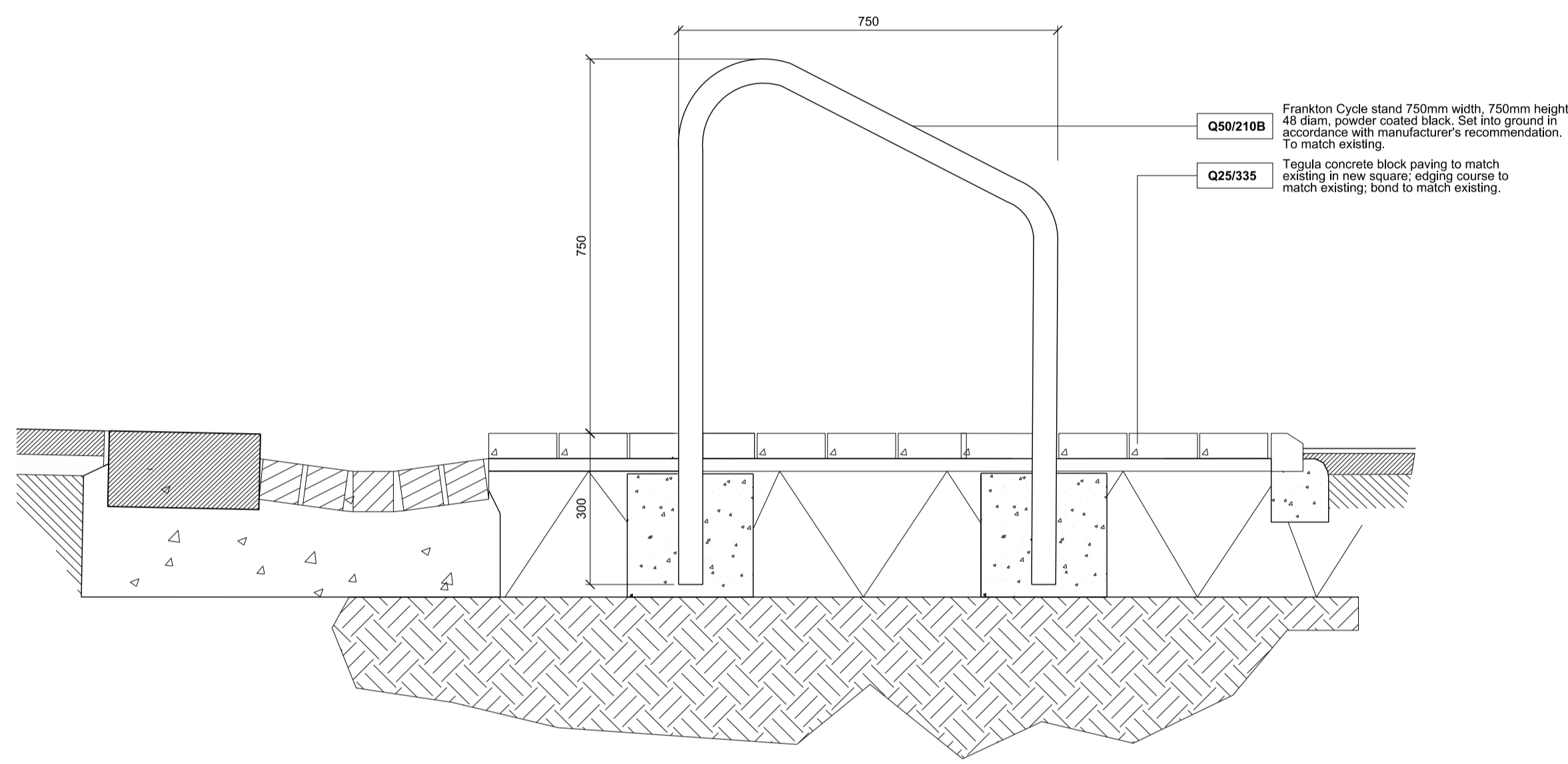
Granite open drainage channel to New Square detail

01 597-17501



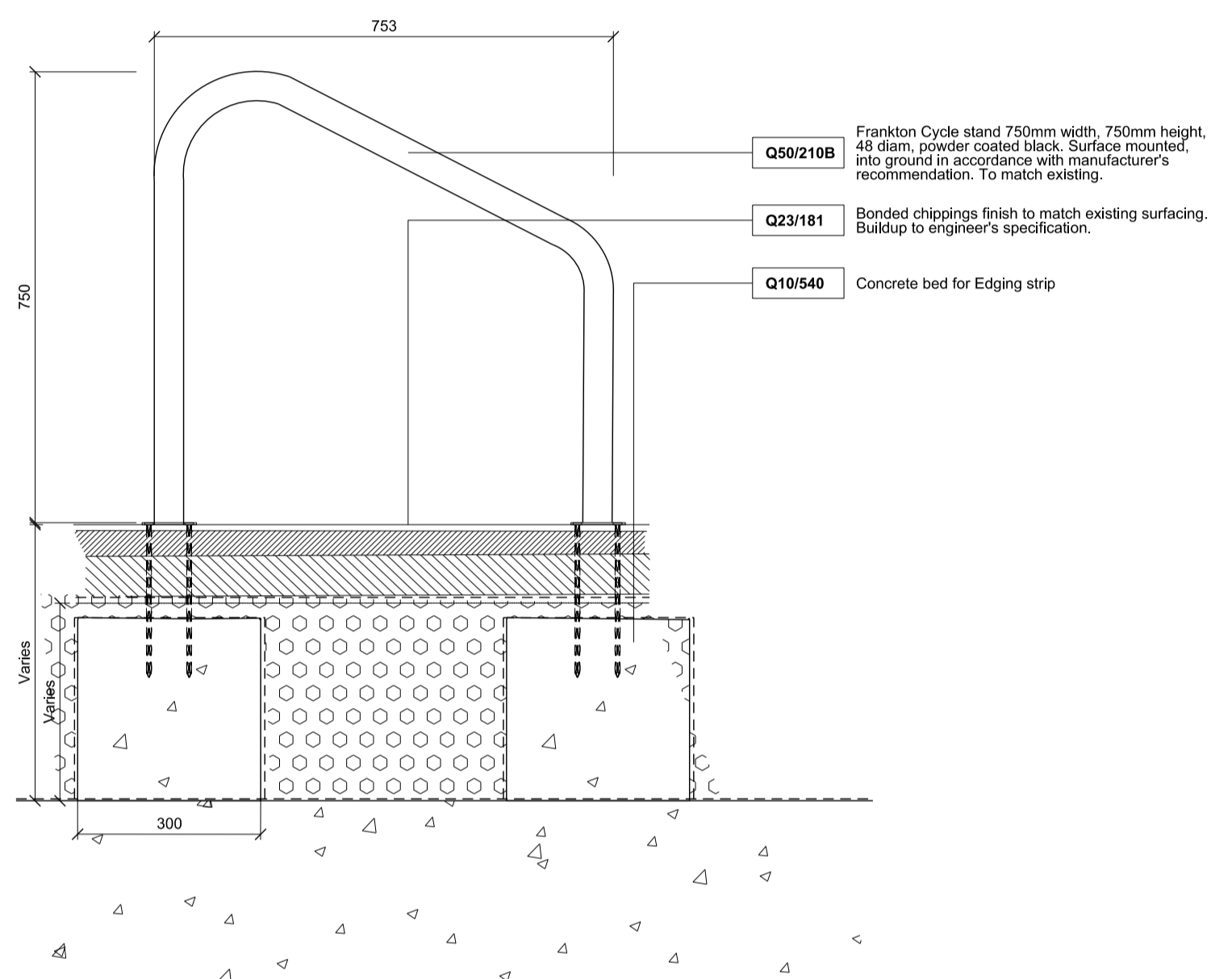
Drop kerb and drainage channel to New Square detail

02 597-17501



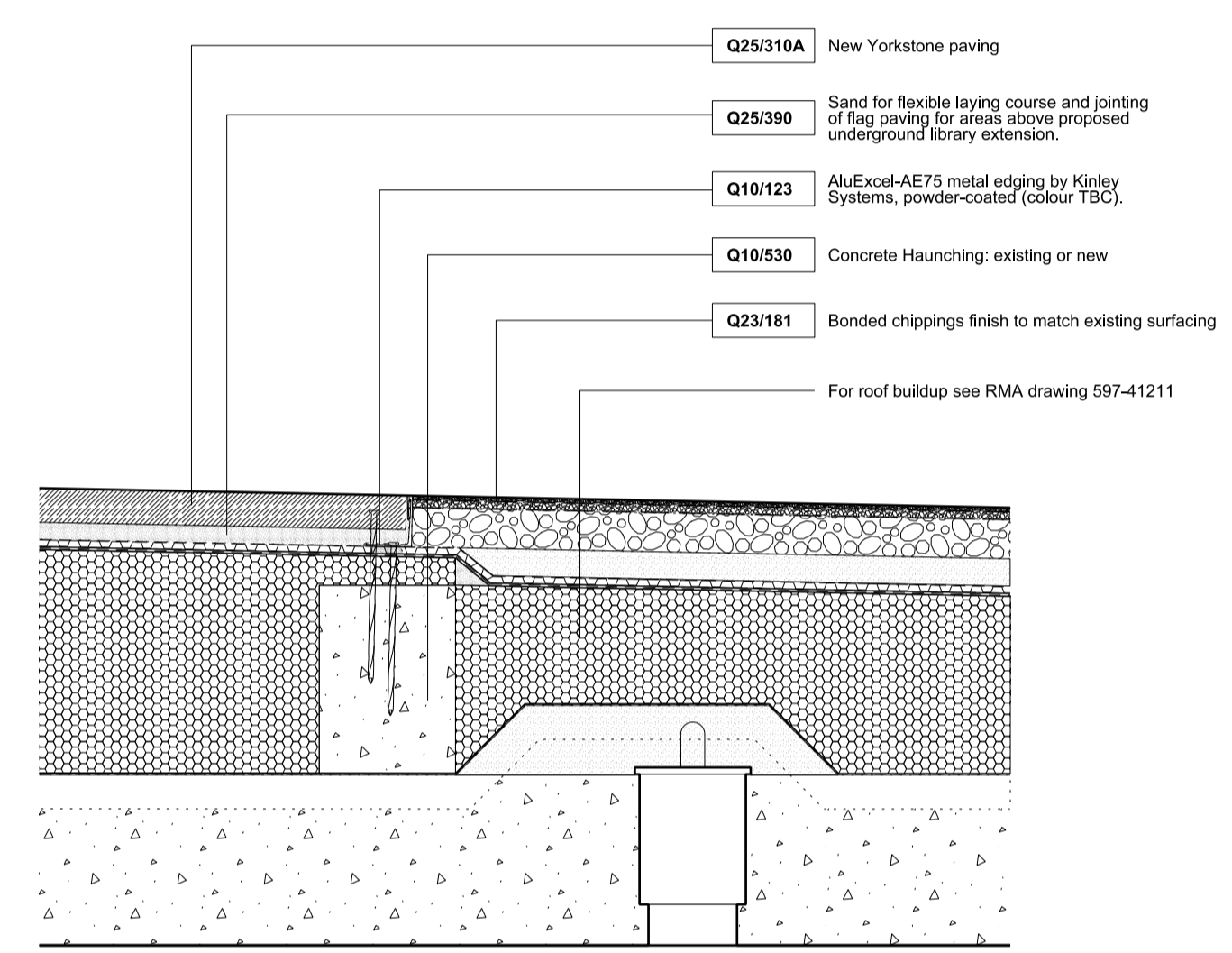
Frankton cycle stand, in ground fixed (New Square)

03 597-17501



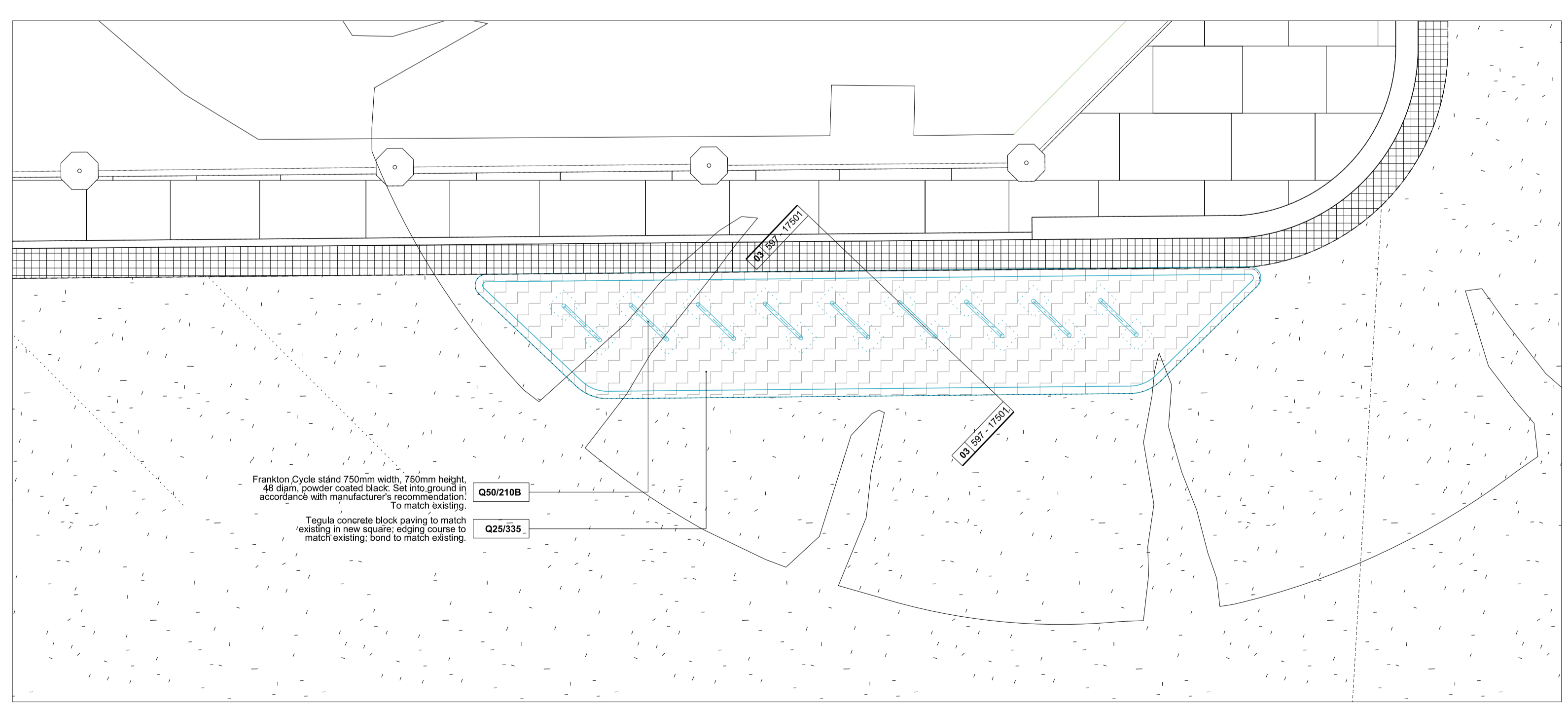
Frankton cycle stand, surface mounted (Library extension)

04 597-17501



Aluminium Edge/Resin-bonded on slab detail

05 597-17501



New Square cycle stands 1:100

06 597-17501

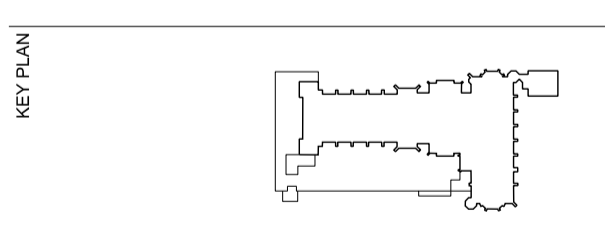
NOTES
DO NOT SCALE FROM THIS DRAWING.
CONTRACTOR TO CHECK ALL DIMENSIONS ON SITE.
ANY DISCREPANCIES TO BE REPORTED TO THE ARCHITECT IMMEDIATELY.

COPYRIGHT RICK MATHER ARCHITECTS LLP ©

- York Stone
- Bonded chippings
- Loose gravel
- Planting beds
- Turf
- Granite setts
- Tegula paving

REVISIONS

| REV | DATE | DESCRIPTION |
|-----|----------|--------------|
| C1 | 02.02.18 | CONSTRUCTION |



STATUS
CONSTRUCTION

RICK MATHER ARCHITECTS ©

123 Camden High Street London N1W 7AR
T: 020 7241 1121 F: 020 7241 1122
info@rickmather.com www.rickmather.com

JOB
**THE HONOURABLE SOCIETY OF LINCOLN'S INN
GREAT HALL AND LIBRARY**

TITLE
**GREAT HALL PROJECT
LANDSCAPE DETAILS 2**

| DRAWN | JOB # | DRG # | REV |
|----------|----------|-------|--------|
| JR | 597 | 17501 | C1 |
| CHECKED | SCALE@A1 | SIZE | DATE |
| TP | 1:20 | A3 | FEB 18 |
| REV/DATE | 02.02.18 | | |