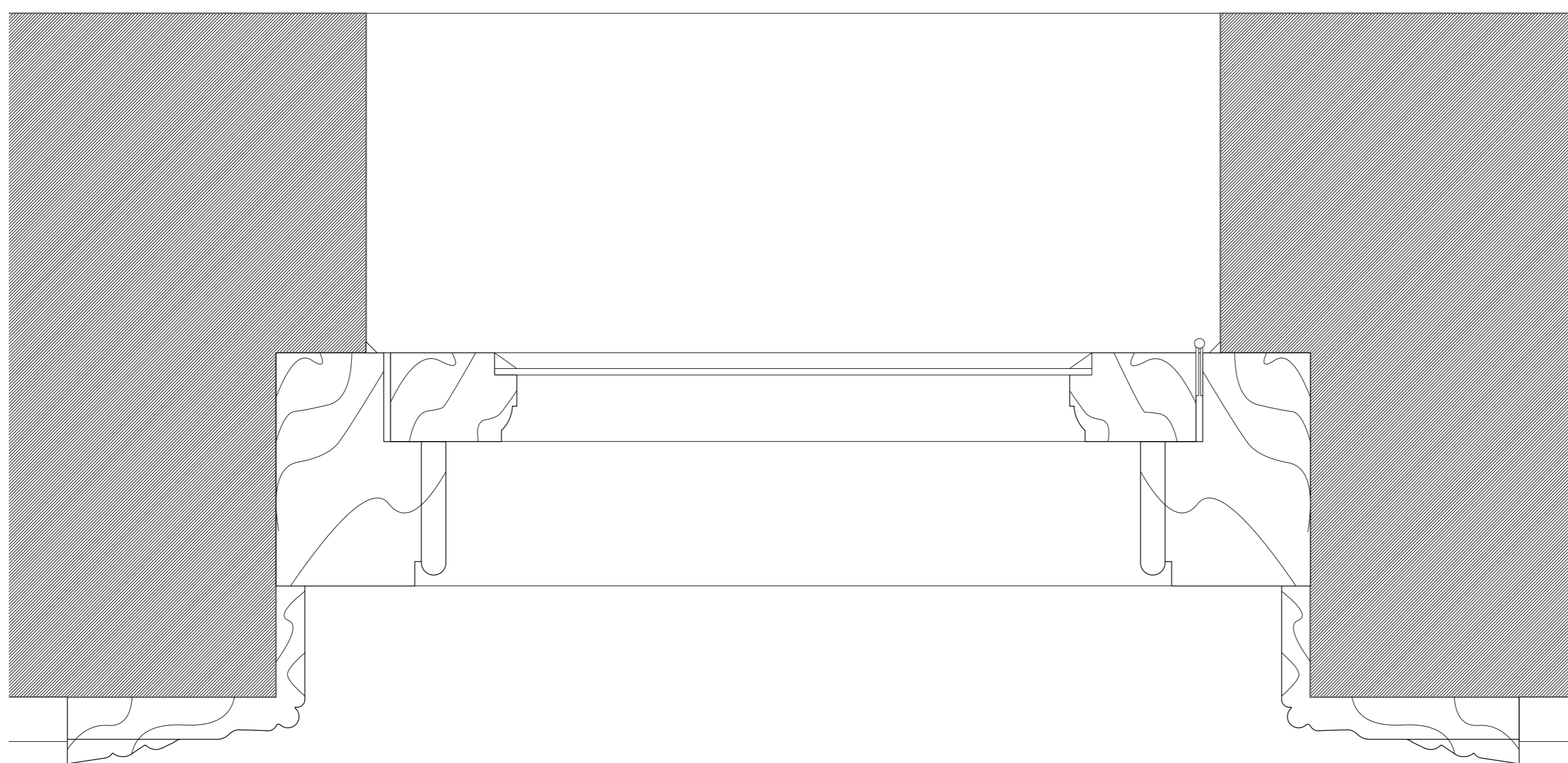


2 Typical glazing bar detail
Scale: Half Actual Size

3 Original Horn Detail
Scale: Half Actual Size



3 Typical Casement Section
Scale: Half Actual Size

TYPICAL ORIGINAL CASEMENT WINDOW

Revision	Date	Amendment	Notes	Client	Project	Drawing	Scale	Date	Drawn	Revision	Unit 001	First Floor
/	11.05.2018	First Issue	FOR LOCATION OF EACH WINDOW TO BE MODIFIED PLEASE REFER TO DESIGN AND ACCESS STATEMENT AND PROPOSED ELEVATIONS DRAWINGS	Mrs and Mr Strobel	5 Gainsborough Gardens	Original Casement Window Section Details	1:2@A1	April 2018	ASG		California Building	6 Southernhay
A	21.05.2018	Planning Issue		NO DIMENSIONS ARE TO BE SCALED FROM THIS DRAWING. THE CONTRACTOR/MANUFACTURER IS RESPONSIBLE FOR CHECKING ALL DIMENSIONS AND QUERYING ANY DISCREPANCIES. THIS DRAWING IS THE PROPERTY OF BDA ARCHITECTS LTD. COPYRIGHT IS RESERVED BY THEM AND THE DRAWING IS ISSUED ON CONDITION THAT IT IS NOT COPIED, REPRODUCED, RETAINED OR DISCLOSED TO ANY UNAUTHORISED PERSON, EITHER WHOLLY OR IN PART, WITHOUT WRITTEN CONSENT.							London SE13 7SF	West Exeter EX1 1JG
				Project N°	Drawing N°	Revision					Unit 001	First Floor
				785	785_A_015	A					California Building	6 Southernhay
											London SE13 7SF	West Exeter EX1 1JG
											+44 (0) 2083 056010	+44 (0) 1392 423981

Burwell Deakins