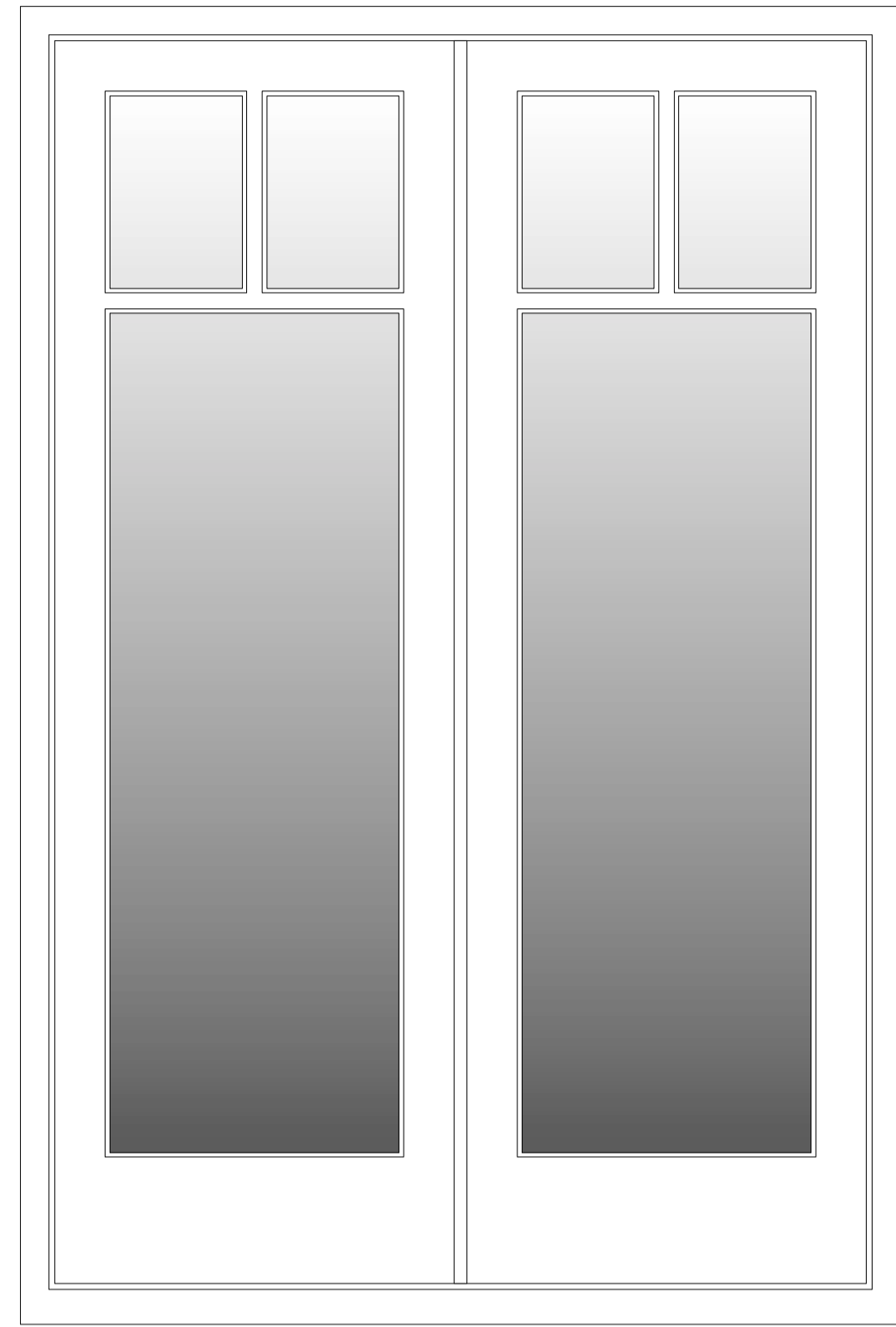
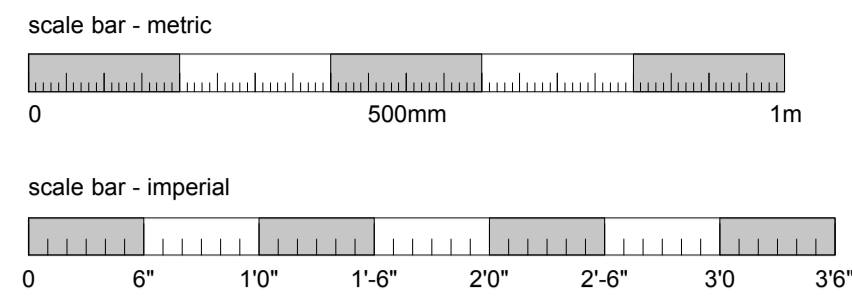
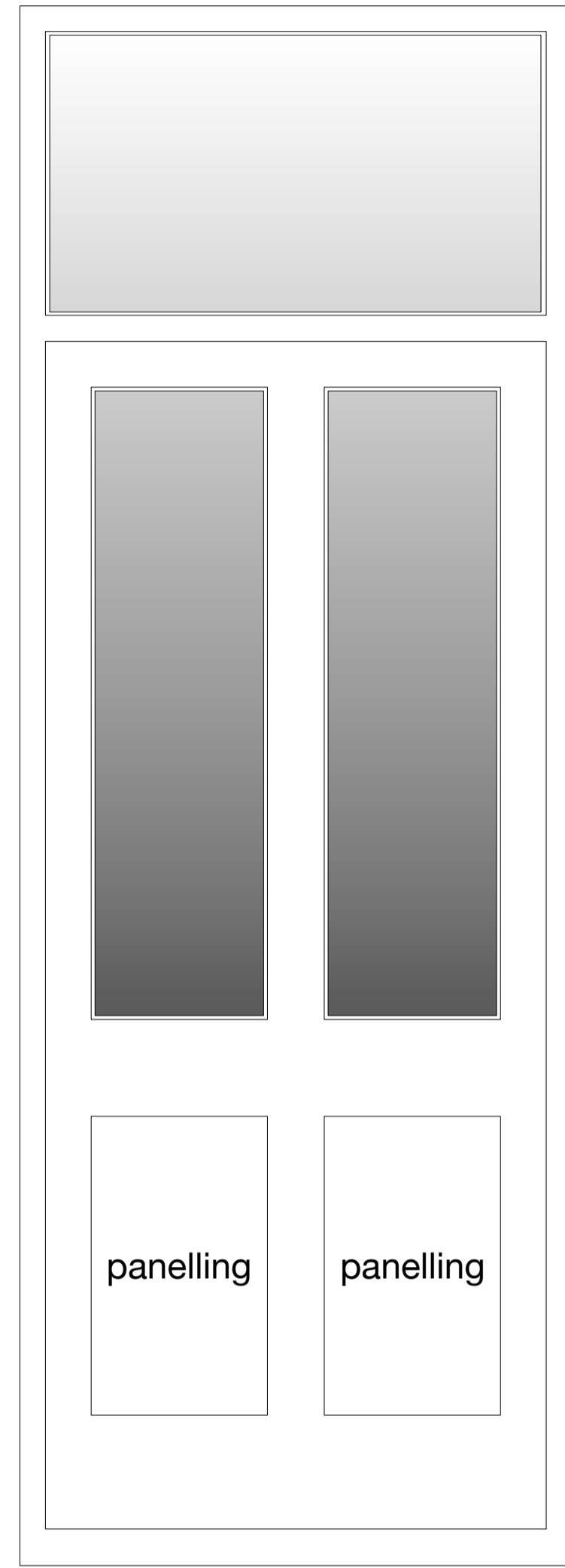


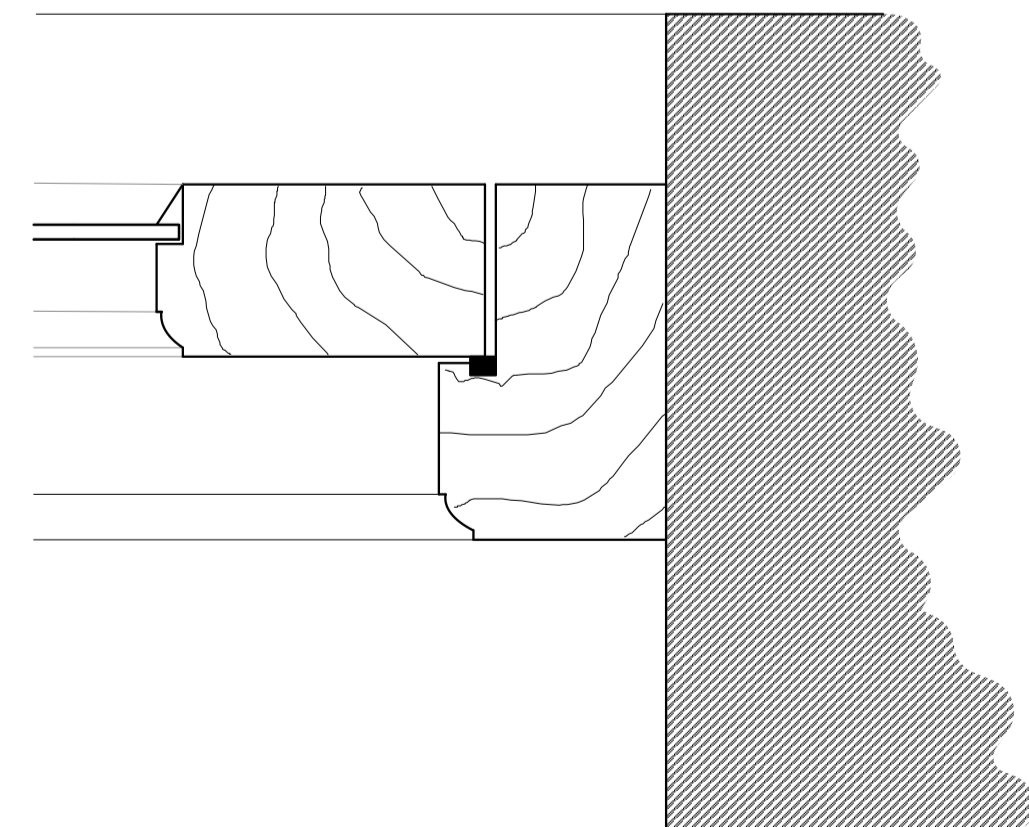
Elevations 1:10@A1



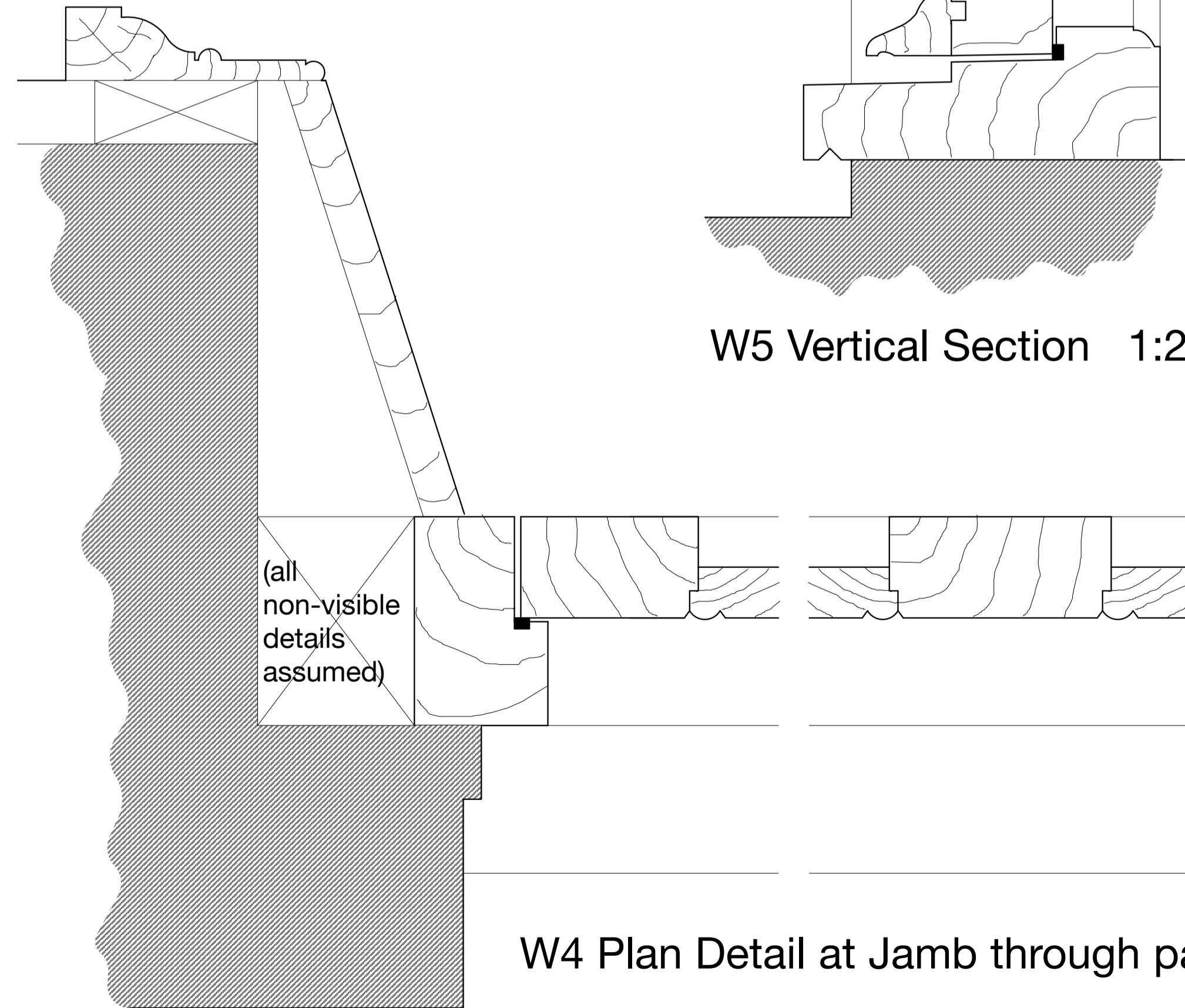
W5 French Doors



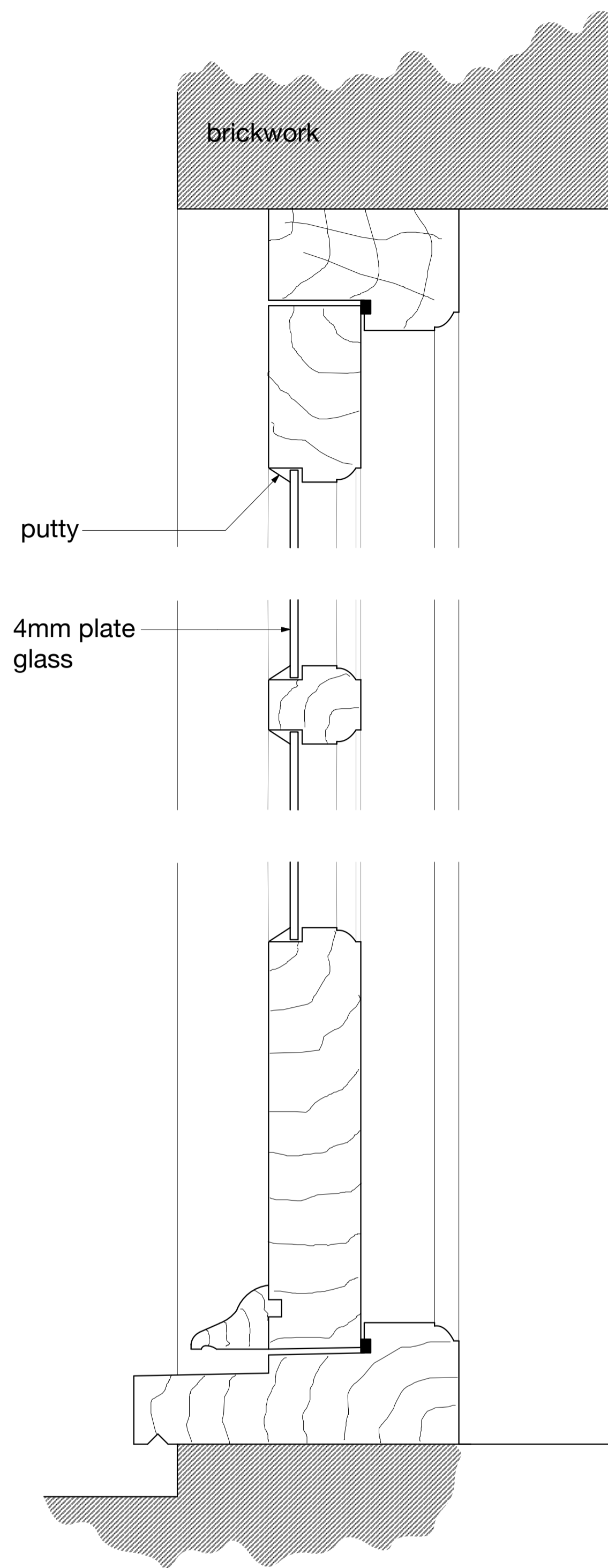
W4 Single Door



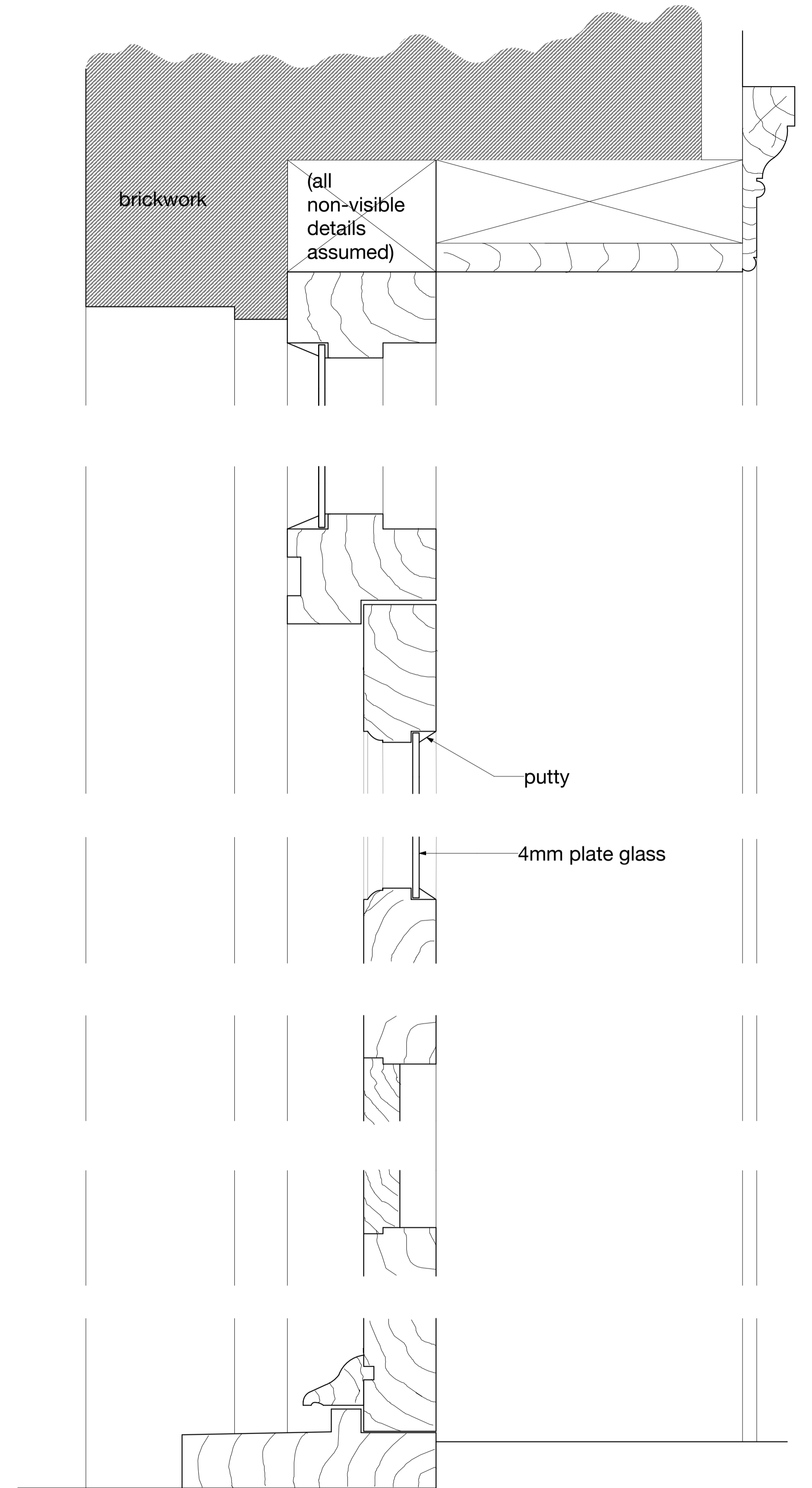
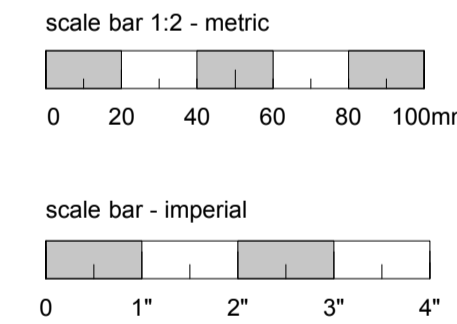
W5 Plan Detail at Jamb 1:2@A1



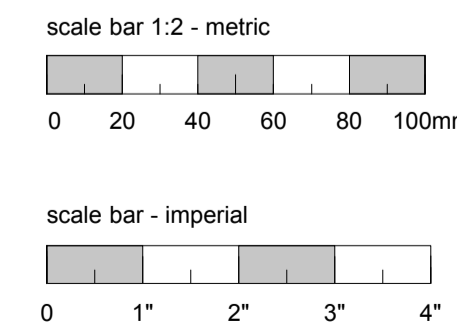
W4 Plan Detail at Jamb through panelling 1:2@A1



W5 Vertical Section 1:2@A1



W4 Vertical Section 1:2@A1



BROD WIGHT
Architects

43 England's Lane -- London -- NW3 4YD

Flat 1, 12 Lyndhurst Gardens,
London NW3 5NR

www.brodwight.co.uk office@brodwight.co.uk

Tel 020 7722 0810 This drawing is copyright

Drawing Title:

Existing External Doors

Enlarged Details

Drawing Ref:

1060-AP2-07

Date:

21st August 2017

Scale

1:2 + 1:10 @ A1