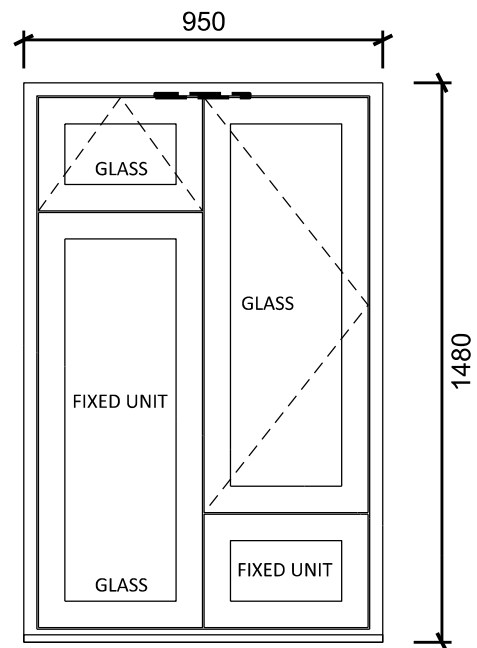
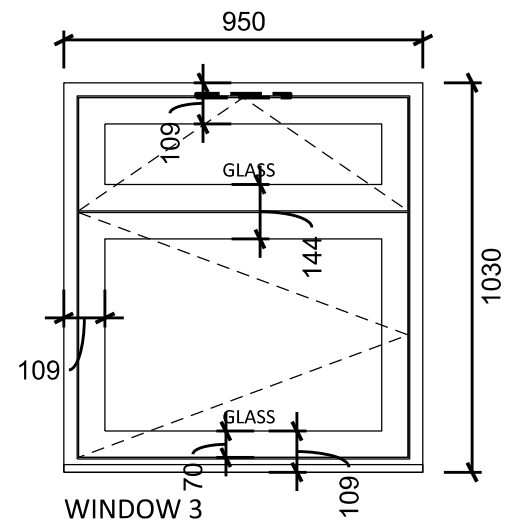


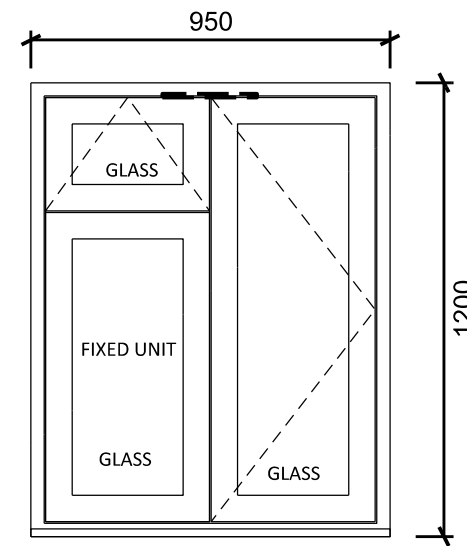
WINDOW 1
DOUBLE GLAZED TIMBER WINDOW



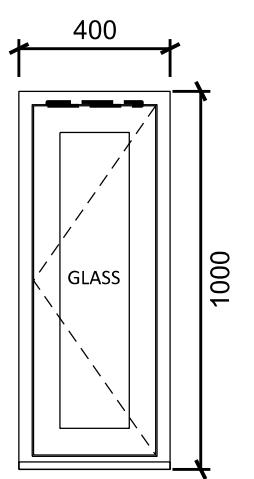
WINDOW 2
DOUBLE GLAZED TIMBER WINDOW
OBSCURE GLAZING (BATHROOM)



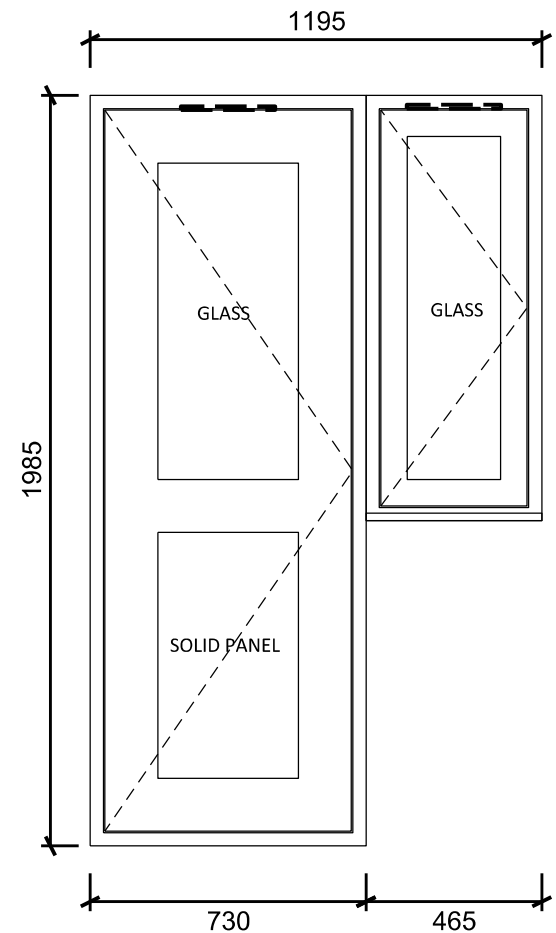
WINDOW 3
DOUBLE GLAZED, OBSCURE GLASS
TIMBER WINDOW, NEW FENESTRATION
PATTERN TO REPLACE WC WINDOW



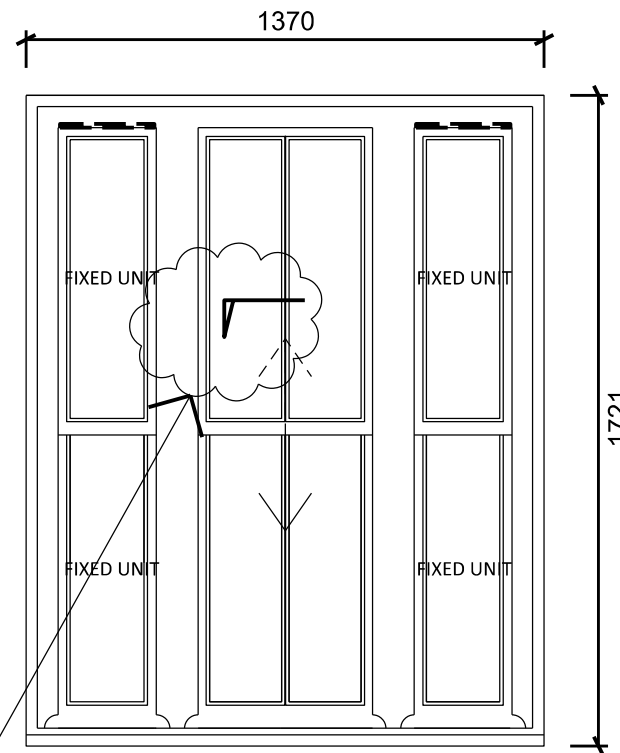
WINDOW 4
DOUBLE GLAZED TIMBER WINDOW
OBSCURE GLAZING (BATHROOM)



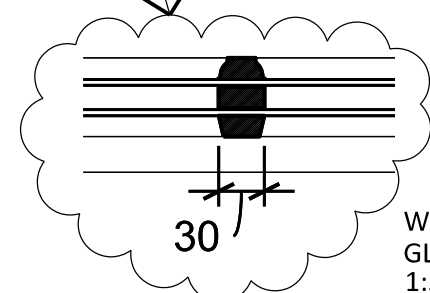
WINDOW 5
TIMBER CASEMENT
WINDOW TO WC
WITH OBSCURED
GLAZING



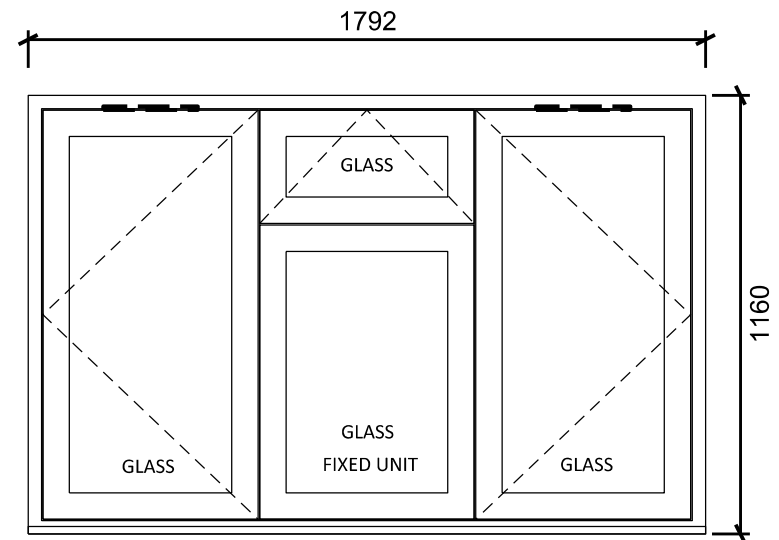
**WINDOW 6
& DOOR**
REPLACEMENT TIMBER DOOR
AND FRAME TO
VESTIBULE WINDOW FOR
LOWER GROUND FLOOR
SIDE ELEVATION OF BACK
ADDITION DOUBLE GLAZED,
LAMINATED GLASS, (CLEAR
OR OBSCURED TO TENANTS
CHOICE.) TIMBER FRAME.



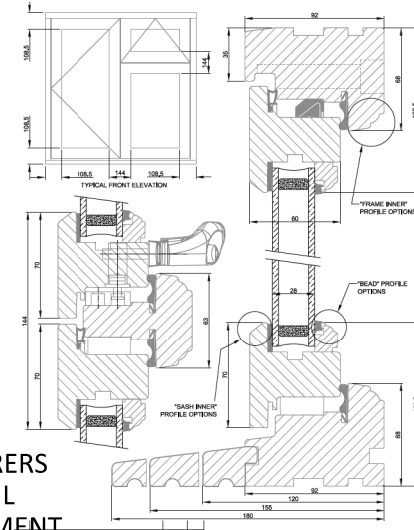
WINDOW 7
REPLACEMENT TIMBER SLIDING
SASH WINDOWS, SAME PATTERN
AS EXISTING WINDOW.
NEW TO HAVE DOUBLE GLAZED UNITS
WITH SPACER BAR WITHIN UNIT BEHIND
AND GLAZING BAR / BEAD OVER



**WINDOW 7 - PLAN DETAIL OF
GLAZING BAR AND SPACER BLOCK
1:5 @ A3**



WINDOW 8
REPLACEMENT OF STEEL WINDOW
TO BEDROOM. REPLACE WITH
NEW TIMBER WINDOW WITH
SIMILAR PATTERN. NEW WINDOW TO
HAVE DOUBLE GLAZED UNITS



**WINDOW 7 -
MANUFACTURERS
TYPICAL DETAIL
TIMBER CASEMENT**

Do not scale from this drawing
All dimensions to be checked on site

Notes:

ALL DIMENSIONS APPROX.
CHECK ON SITE BEFORE FABRICATION

GLAZING IN CRITICAL AREAS TO BE SAFETY
GLASS AS DESCRIBED IN APPROVED DOC.
PART K

CONTROLS TO BE LOCATED
TO COMPLY WITH APPROVED DOC.
PART M, LESS THAN 1200mm ABOVE FFL

CONCEALED TRICKLE VENTS
TO HEAD OF ALL WINDOWS

Amendments:

REV A: 2018-05-08. NOTES & DETAILS ADDED

Drawing type:

Client:

L. B. CAMDEN

Project:

20 Leighton Crescent
Kentish Town, London, NW5 2QY

Title:

REPLACEMENT WINDOWS

Scale: 1:10 @ A3 Date: 16/01/18

Drawn: DL Checked: SB

Drg.no: 40-SK(0)008

Rev: A

Heritage Surveys Ltd.

Heritage Surveys Limited
Unit 11H, Carlton Road
South Croydon
Surrey
CR2 0BS
www.heritage-surveys.com