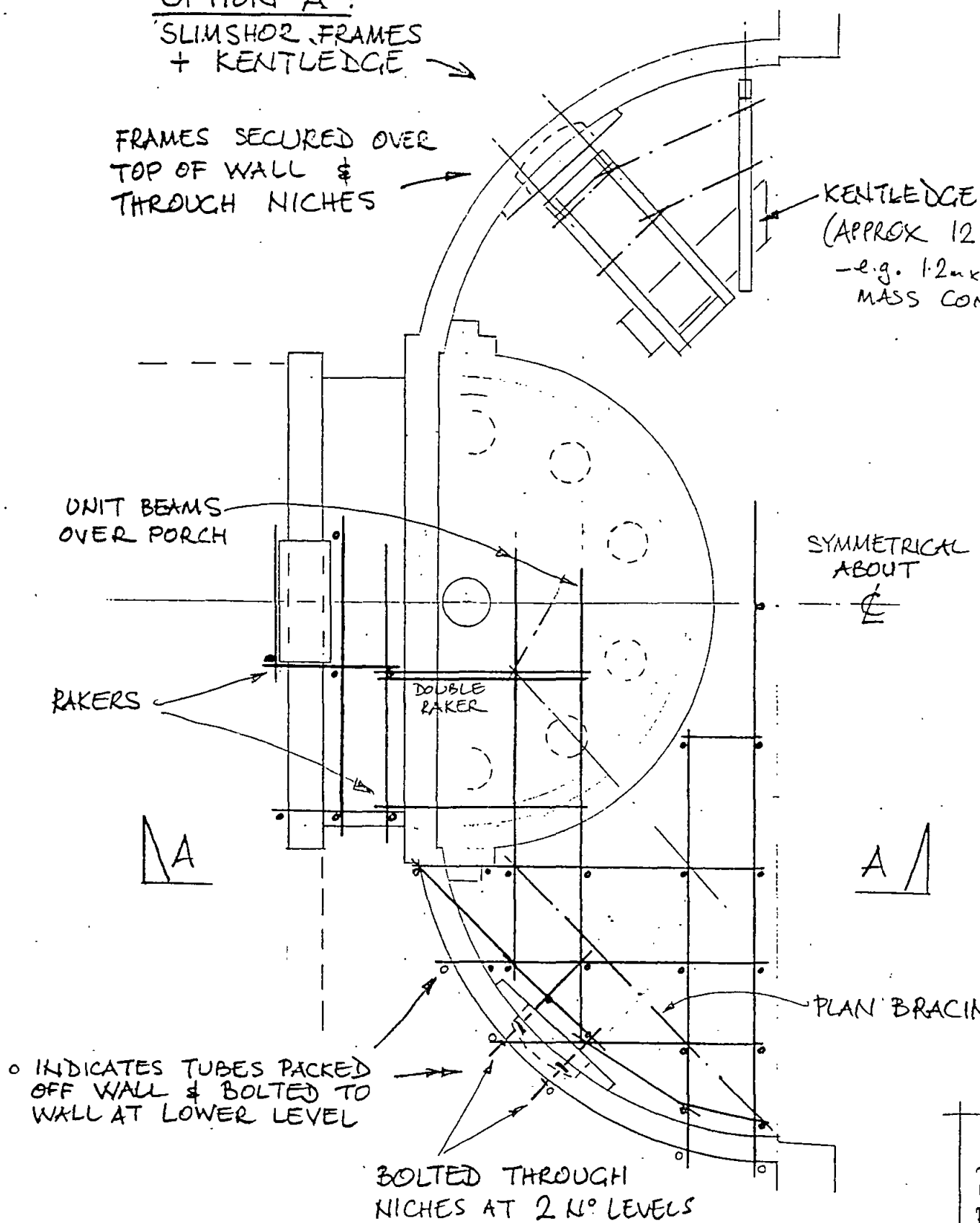


L9904029

OPTION A:
SLIMSHOR FRAMES
+ KENTLEDGE



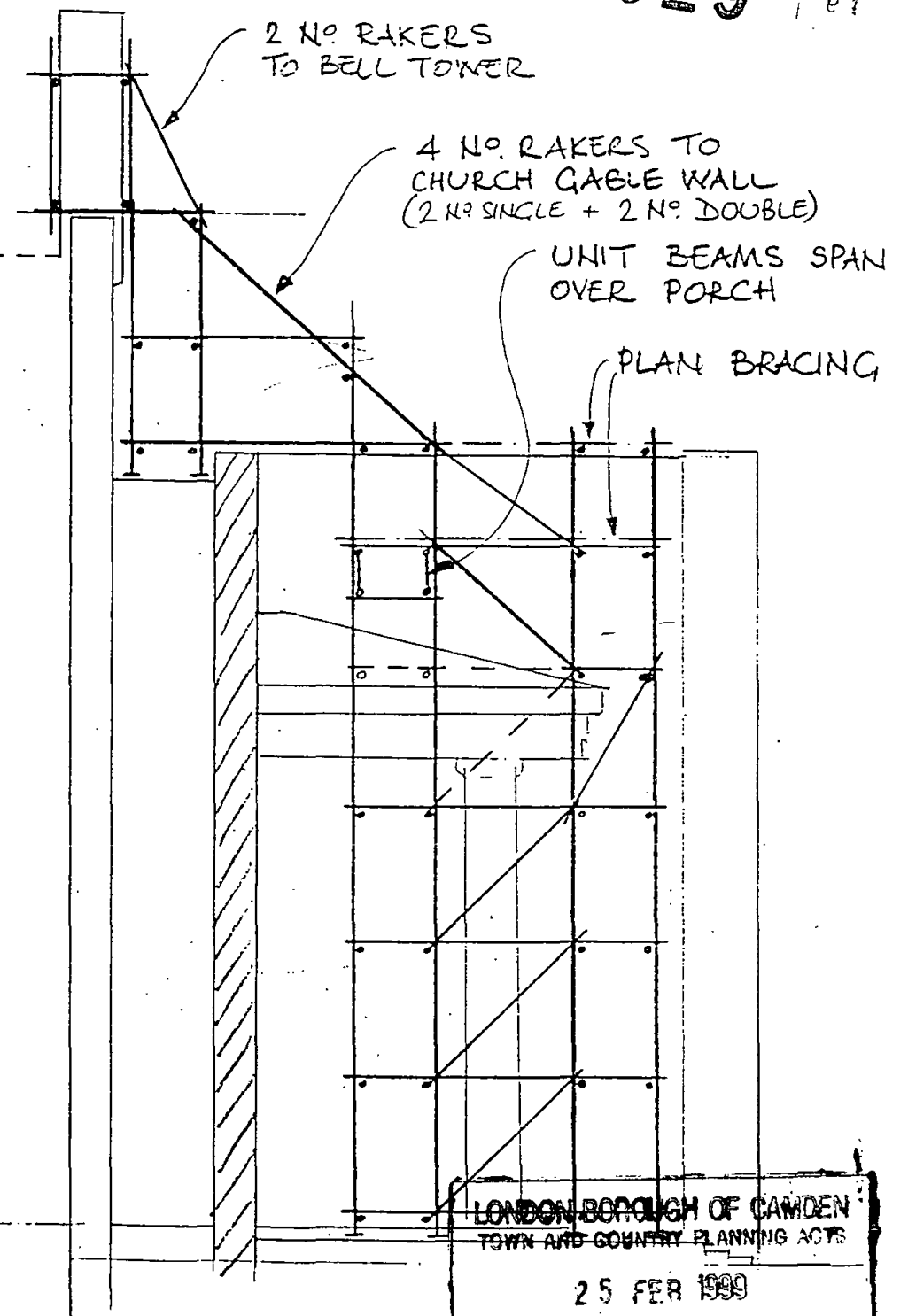
OPTION B:
WALLS BRACED BY
TUBE & FITTING SCAFFOLD

PLAN

AVIATION HOUSE
DATE
12 NOV 1998
RECEIVED

N.B.
PRELIMINARY DRAWING
FOR PRICING PURPOSES
ONLY

SCAFFOLD
PACKED OFF
MASONRY
WITH TIMBER
PACKING



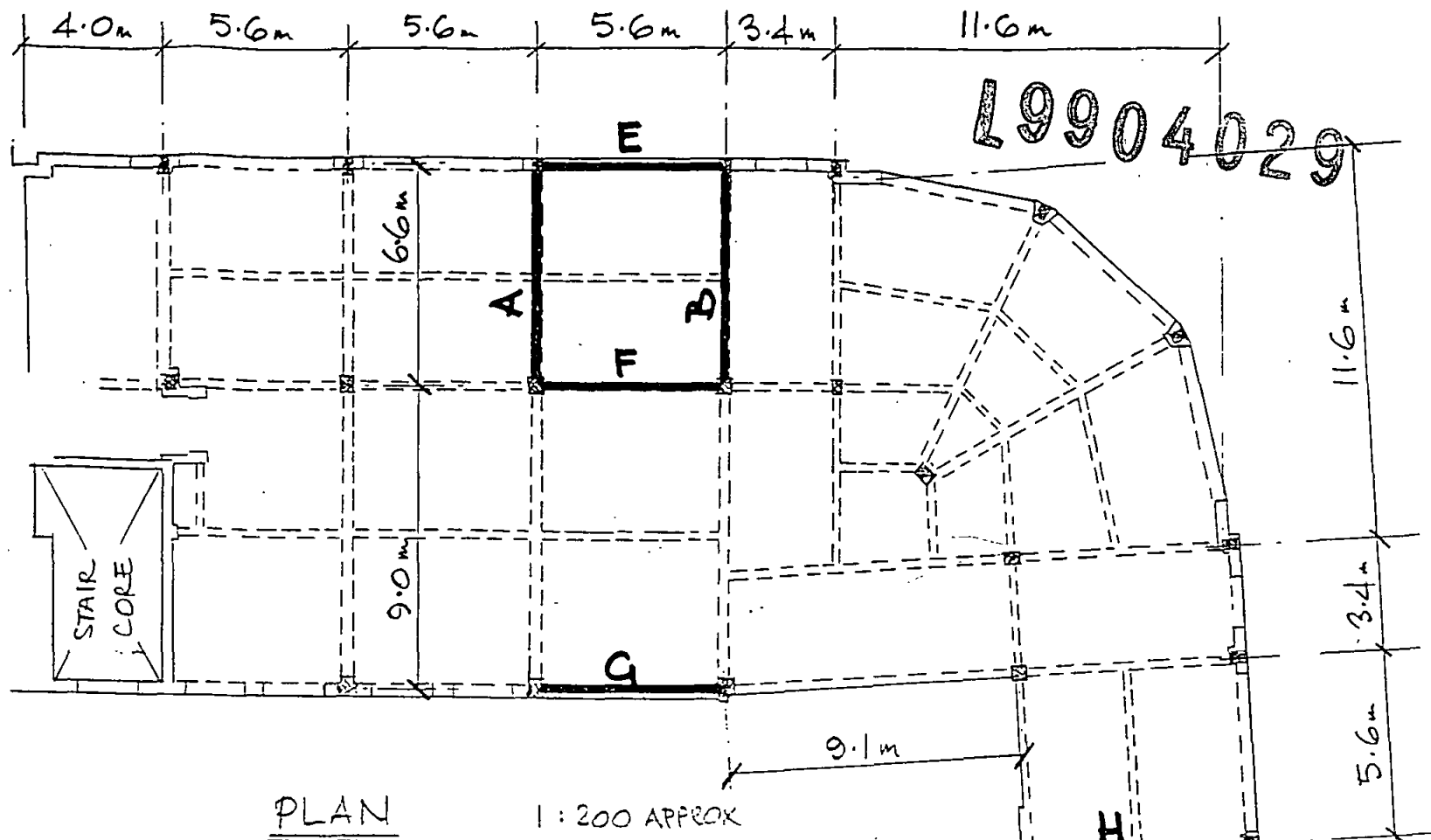
LONDON BOROUGH OF CAMDEN
TOWN AND COUNTRY PLANNING ACTS

25 FEB 1999

A-A PLANS APPROVED
ON BEHALF OF THE COUNCIL

REV. A.	2 NO RAKERS DOUBLED UP.	10.11.98
AVIATION HOUSE		LAINC
PROPOSED TEMPORARY RESTRAINT TO HOLY TRINITY FACADE.		John Laing Construction Limited Amber House, Wood Lane, Hemel Hempstead, Herts HP2 4TP Telephone 0442 65566 Facsimile 0442 219844 Engineering and Temporary Works Office
Drawn: Date	10.11.98	Scale
Checked: Date		1:100
Project No	1938	Drawing No
		01/A

A3



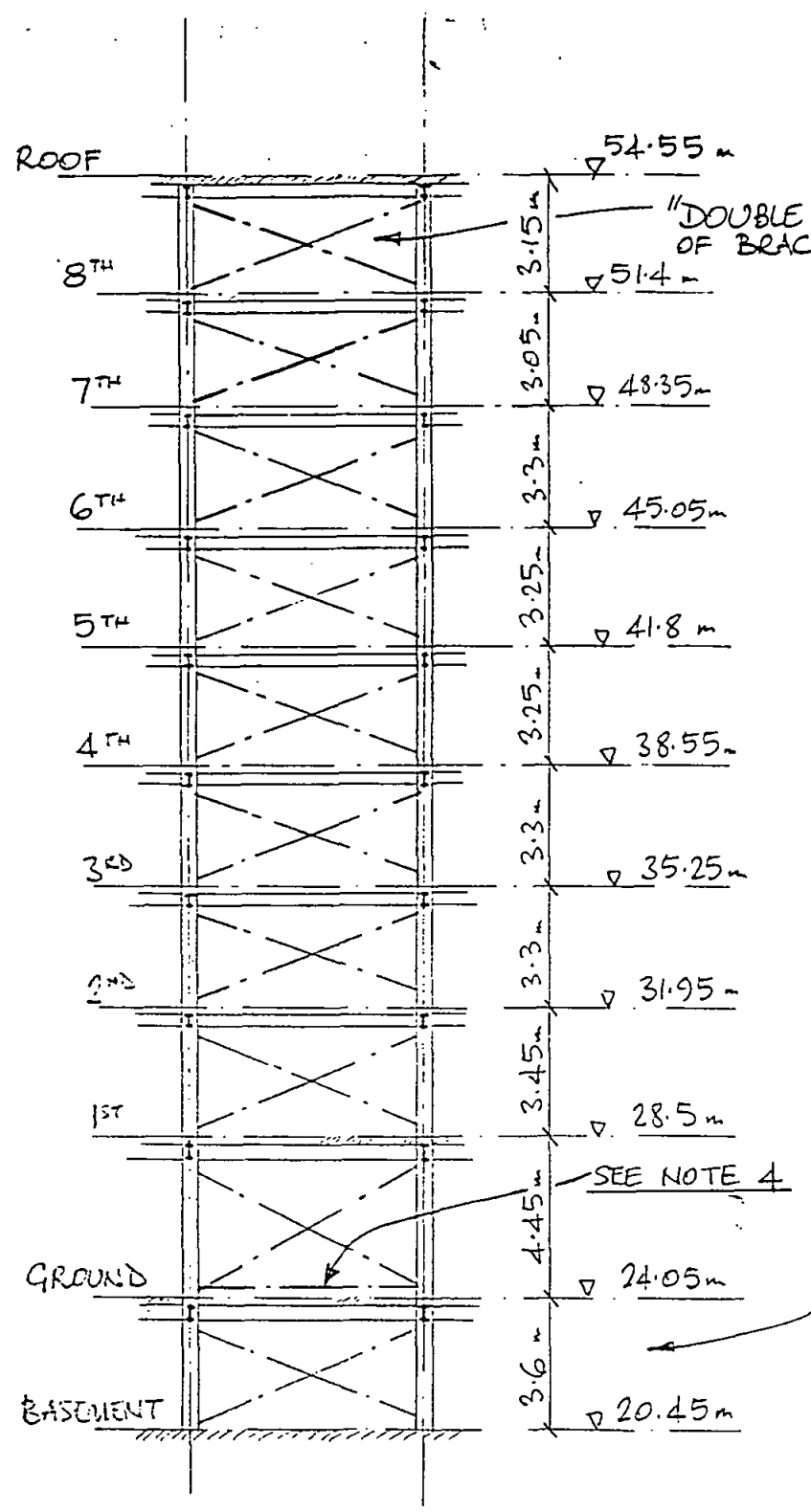
PLAN 1:200 APPROX

NOTES:

1. ALL DIMENSIONS ARE APPROX.
2. **A** INDICATES BAY TEMPORARILY BRACED. ALL BAYS ARE "DOUBLE SYSTEM" (SEE ELEVATION)
3. FOR SIZES OF BRACING MEMBERS ETC SEE DRG NO^s 1938/03 & 04
4. FOR DTLS OF HORIZONTAL MEMBERS AT GROUND FLOOR SEE DRG NO. 1938/06.

BRACING IN BASEMENT MAY BE REDUCED WHERE RESTRAINED BY RETAINING WALLS - SEE (3) ON DRGS 1938/03 & 04.

N.B. PRELIMINARY DRAWING FOR PRICING PURPOSES ONLY



TYPICAL ELEVATION OF BRACED BAY

1:200 APPROX

LONDON BOROUGH OF CAMDEN
 TOWN AND COUNTRY PLANNING
 25 FEB 1999
 PLANS APPROVED
 ON BEHALF OF THE COUNCIL

AVIATION HOUSE
 DATE
 15 DEC 1998
 RECEIVED

AVIATION HOUSE		LAING	
PROPOSED TEMPORARY BRACING TO EXISTING BUILDING		John Laing Construction Limited Amber House, Wood Lane, Hemel Hempstead, Herts HP2 4TP Telephone 0442 65566 Facsimile 0442 219844	
Drawn: Date	15/11/98	Scale	1:200 APPROX
Checked: Date		Project No	1938
© John Laing PLC 1998		Drawing No	02
		Rev	A

TABLE OF MEMBER SIZES & WELD LENGTHS:

FLOORS	BAYS A & E ①		BAYS B & D	
	MEMBER	WELD SIZE LENGTH mm	MEMBER	WELD SIZE LENGTH mm
ROOF	75x6 FLAT	6FW 100	75x6 FLAT	6FW 100
8TH	"	" 175	"	" 150
7TH	80x60x6 L	" 250	"	" 200
6TH	"	" 325	80x60x6 L	" 275
5TH	100x65x7 L	" 425	"	" 350
4TH	"	" 500	100x65x7 L	" 400
3RD	125x75x8 L	8FW 450	"	" 475
2ND	"	" 500	"	8FW 400
1ST	150x75x10 L	" 600	125x75x8 L	" 475
GROUND	" ③	" 625	" ③	" 500
BASEMENT				

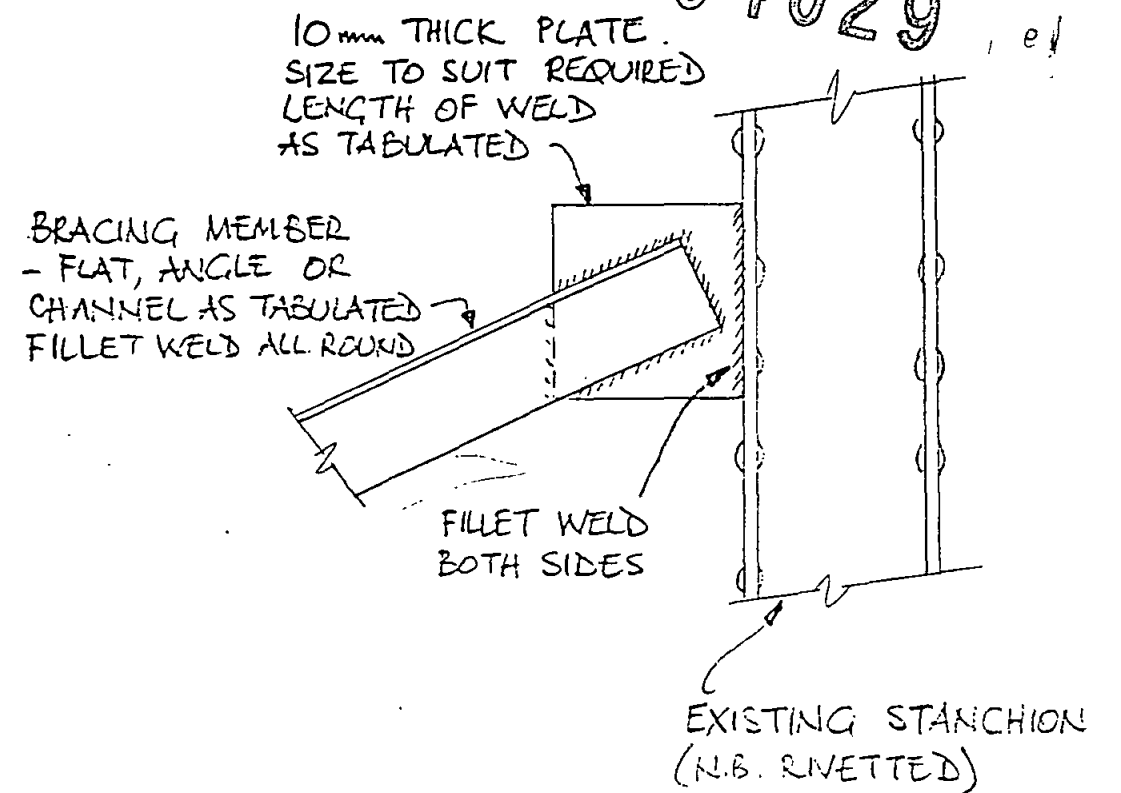
NOTES:

1. READ IN CONJUNCTION WITH DRGS 1938/02, 04 & 06.

② & ③ SEE DRG 1938/04

TABLE CONTINUED ON DRG 1938/04

19904029



TYPICAL CONNECTION DETAIL

N.T.S.

AVIATION HOUSE
DATE 15 DEC 1998
RECEIVED
LONDON BOROUGH OF CAMDEN
PLANS APPROVED
ON BEHALF OF THE COUNCIL
25 FEB 1999

N.B. PRELIMINARY DRAWING FOR PRICING PURPOSES ONLY

Sheppard Robson	03 JAN 99
WD	AL
GF	RY
PW	MS

A "SINGLE SYSTEMS" DELETED. NOTE 1 REVISED.	DRN	DATE	CHK
REV	AMENDMENT		
AVIATION HOUSE		LAING	
Engineering and Temporary Works Office		John Laing Construction Limited Amber House, Wood Lane, Hemel Hempstead, Herts HP2 4TP Telephone 0442 65566 Facsimile 0442 219844	
Drawn: Date	LWS	10.11.98	Scale
Checked: Date			N.T.S.
© John Laing P.C. 1978			
Project no	1938	Drawing no	03 A

A3

19904029

FLOORS	BAYS C & G ^①			BAY F ^①			BAYS H & J		
	MEMBER	WELD SIZE	WELD LENGTH mm	MEMBER	WELD SIZE	WELD LENGTH mm	MEMBER	WELD SIZE	WELD LENGTH mm
ROOF									
8 TH	75x6 FLAT	6FW	125	75x6 FLAT	6FW	150	75x6 FLAT	6FW	100
7 TH	"		230	80x60x6 L	"	300	"	"	100
6 TH	80x60x6 L		350	100x65x7 L	"	450	"	"	125
5 TH	100x65x7 L		475	125x75x8 L	8FW	450	80x60x6 L	"	175
4 TH	125x75x8 L	8FW	425	150x75x10 L	"	575	"	"	200
3 RD	"	"	525	"	"	675	"	"	250
2 ND	150x75x10 L	"	600	2/100x65x7 L	6FW	2x525	"	"	275
1 ST	"	"	700	2/125x75x8 L	"	2x600	"	"	325
GROUND	2/125x75x8 L	"	2x425	"	8FW	2x525	100x65x7 L	"	375
BASEMENT	"	"	2x450	2/150x75x10 L	"	2x575	"	③	375

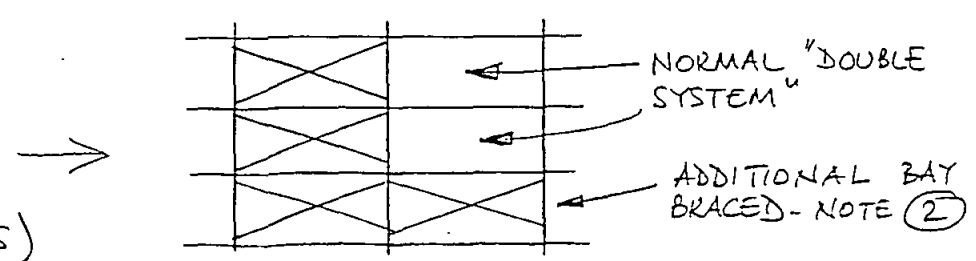
AVIATION HOUSE
DATE
15 DEC 1998
RECEIVED

PRELIMINARY
FOR
PURPOSE
LONDON BOROUGH OF CAMDEN
TOWN AND COUNTRY PLANNING ACTS
02 FEB 1999
PLANS APPROVED
ON BEHALF OF THE COUNCIL
Sheppard & Hobson
08 JAN '99

NOTES:

1. READ IN CONJUNCTION WITH DRGS 1938/02, 03 & 06.

② TWIN MEMBERS & 2x WELD LENGTH INDICATES THAT A SECOND BAY, IN LINE WITH THE BAY SHOWN, IS ALSO TO BE BRACED (TO ACHIEVE PRACTICAL SIZES OF WELDS & CONNECTING PLATES)

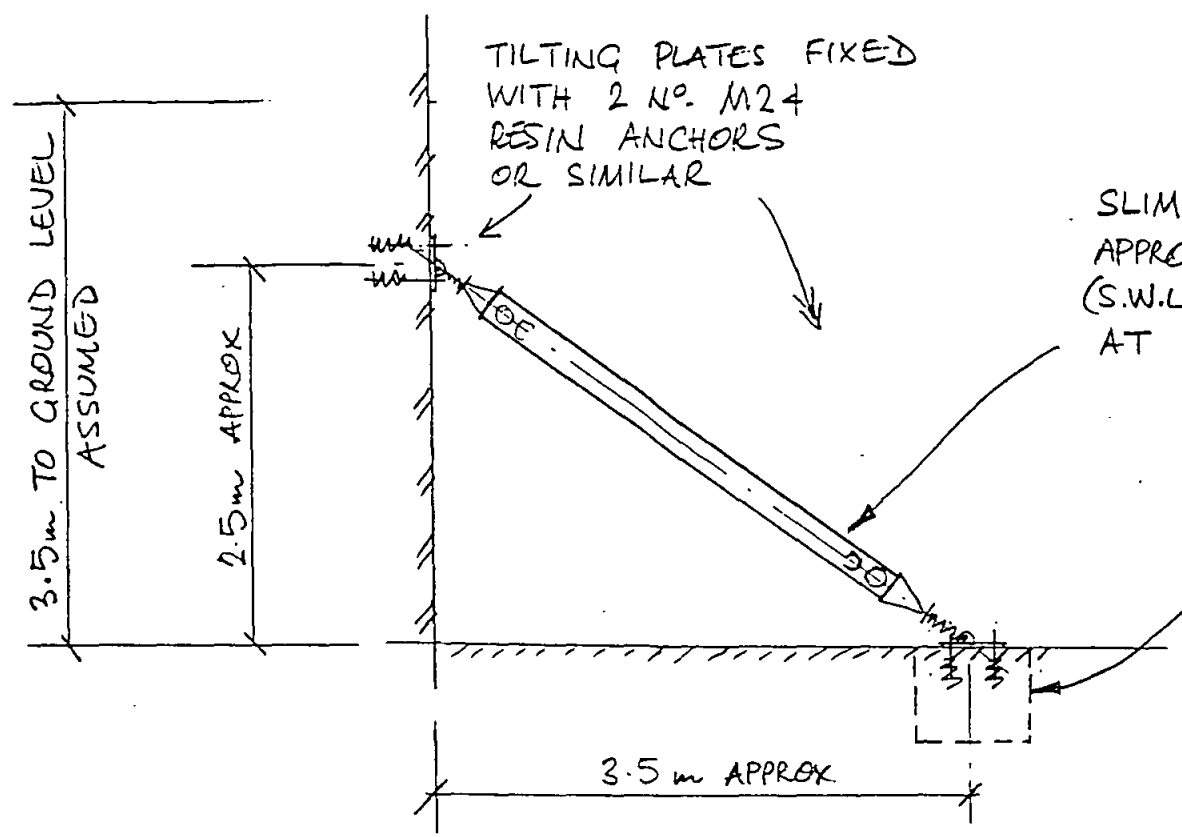


③ BRACING IN BASEMENT (WHERE NOTED ③) REQUIRED IN ONE DIRECTION ONLY (i.e. "SINGLE SYSTEM"). TO BE CONFIRMED BY INSPECTION ON SITE TO ENSURE THAT GROUND FLOOR IS RESTRAINED IN OUTWARD DIRECTION BY THE RETAINING WALL.

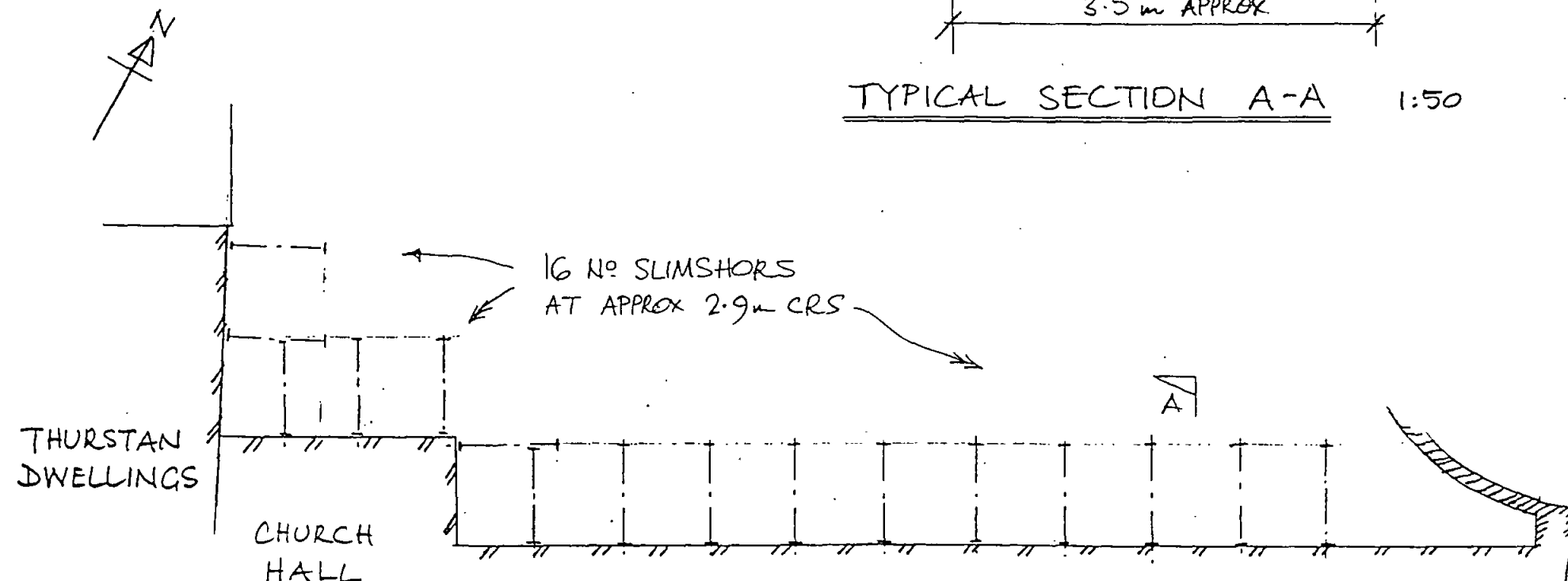
A	NOTES 1 & 3 REVISED	10.11.98	12.98
REV	AMENDMENT	DRN	DATE
AVIATION HOUSE		LAING	
TEMPORARY BRACING - DETAILS		John Laing Construction Limited Amber House, Wood Lane, Hemel Hempstead, Herts HP2 4TP Telephone 0442 65566 Facsimile 0442 219844	
SHEET 2 OF 2		Engineering and Temporary Works Office	Scale
Project No.	1938	Drawing No.	04 A

A3

19904029



TYPICAL SECTION A-A 1:50



CRAVEN HOUSE

PLAN 1:200 APPROX.

LONDON BOROUGH OF CAMDEN
TOWN AND COUNTRY PLANNING ACTS
25 FEB 1998
PLANS APPROVED
ON BEHALF OF THE COUNCIL

N.T.
PRELIMINARY DRAWING
FOR PRICING PURPOSES.
ONLY

Sheppard Robson

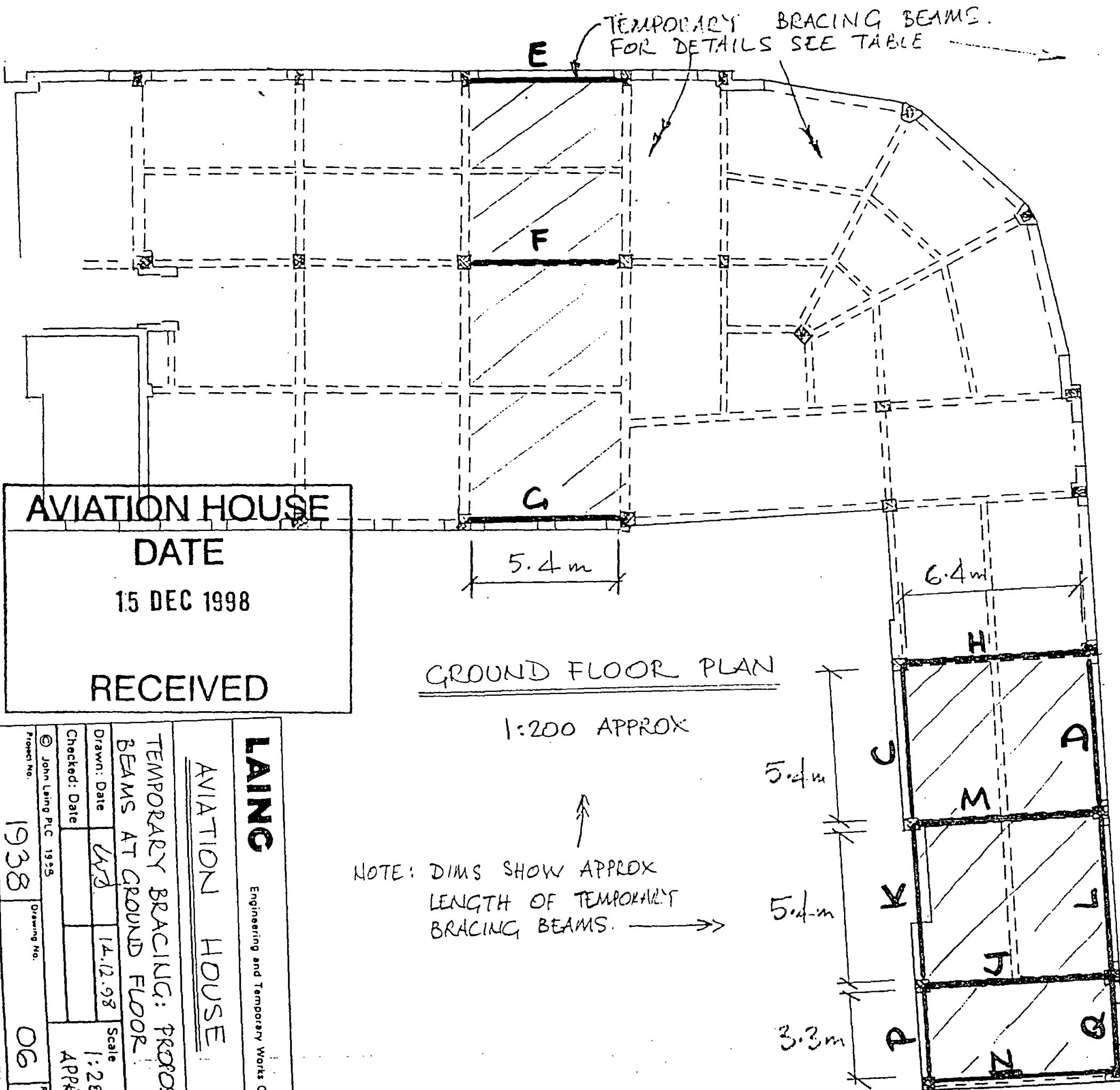
DWG. 7560-002 B. SEC. 2-2
ALLOW FOR 2 NO. PROPS + BASES
ADDITIONAL FOR THIS AREA

GF	AF	
PW	MS	

AVIATION HOUSE
DATE
12 NOV 1998
RECEIVED

<u>AVIATION HOUSE</u>		LAINC John Laing Construction Limited Amber House, Wood Lane, Hemel Hempstead, Herts HP2 4TP Telephone 0442 85566 Facsimile 0442 219844	
Engineering and Temporary Works Office		Drawn: Date	12.11.98
PROPOSED SHORING TO CRAVEN HOUSE ETC BASEMENT WALL		Checked: Date	
		Project No	1938
		Drawing No.	05
		Scale	1:200 1:50

L9904029



MEMBERS:

BEAM	MEMBER	WELD SIZE	WELD LENGTH
C	203UC46	8 FW	650 mm
D	"	6 FW	550
E	"	8 FW	450
F	"	8 FW	1000
G	"	8 FW	650
H & J	152 UC 30	6 FW	375
K-Q INCL	152 UC 23	6 FW	250

(BEAMS TO BE TIED APPROX 300 mm ABOVE GRND FLR)
 DIAGONAL BRACES BELOW
 BEAMS M & N: 80x80x6 L
 (2 NO BRACES PER BEAM
 - i.e. "DOUBLE SYSTEM").
 WELDS: 6 FW x 225 mm

NOTES:

1. READ IN CONJUNCTION WITH DRC 1938/02.
2. REQUIREMENT FOR BEAMS M & N AND DIAGONAL BRACES BELOW TO BE CONFIRMED BY SITE INSPECTION (OF EXISTING COLUMN RESTRAINT).
3. WELDED CONNECTIONS OF CONNECTING PLATES TO BE ACCOMMODATED PLUS FLANGE PLATES TO BE ACCOMMODATED.

LONDON BOROUGH OF CAMDEN
 TOWN AND COUNCIL PLANNING DEPT
 15 FEB 1998
 PLANS APPROVED
 ON BEHALF OF THE COUNCIL
 Sheppard Robson

PRELIMINARY DRAWING
 FOR PRICING PURPOSES ONLY

WS	AF
DF	DV
PW	MS

AVIATION HOUSE
 DATE
 15 DEC 1998
RECEIVED

LAINC
 Engineering and Temporary Works Office

AVIATION HOUSE

TEMPORARY BRACING: PROPOSED BEAMS AT GROUND FLOOR

Scale 1:200 APPROX

Drawn: Date WJD 14.12.98

Checked: Date

© John Lainc PLC 1995

Project No. 1938

Drawing No. 06

NOTE: DIMS SHOW APPROX LENGTH OF TEMPORARY BRACING BEAMS.

PROPOSED LAYOUT OF TEMPORARY BRACING

W.S. 15.11.98

