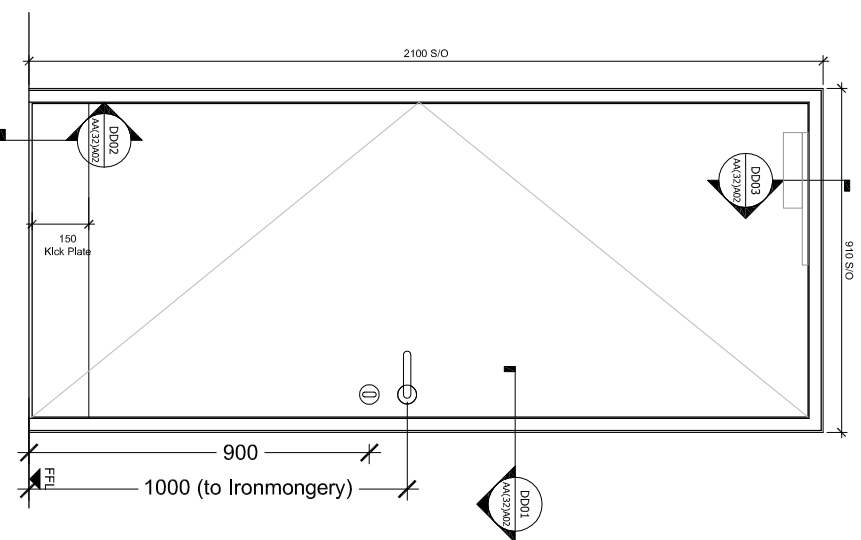
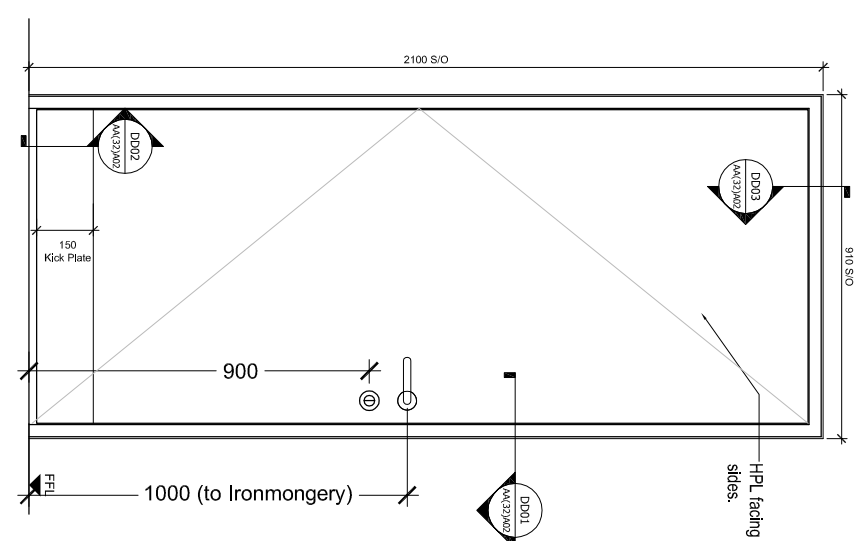


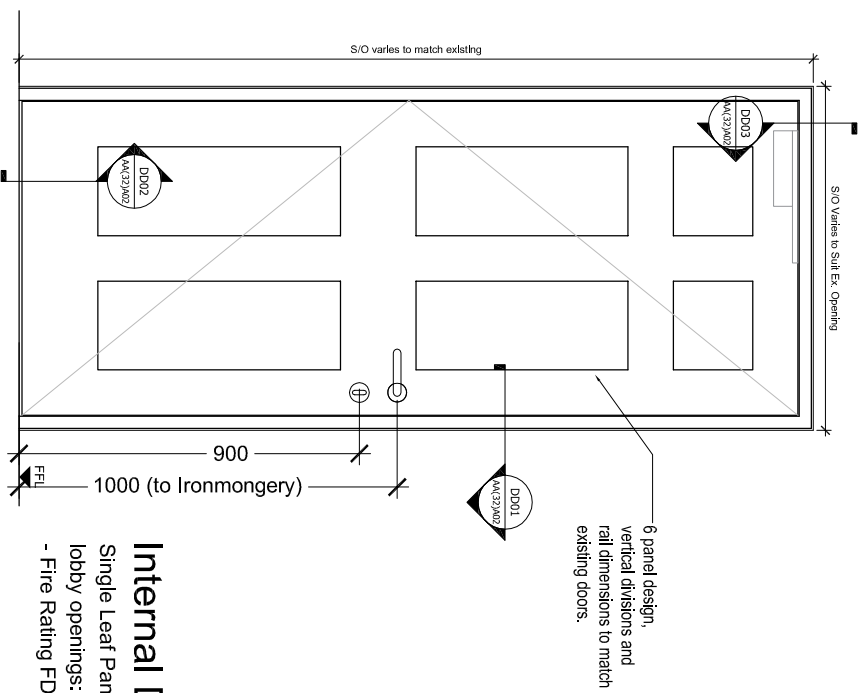
Internal Door Type 1
New Single Leaf Doors generally -
Fire Rating FD30S generally /
FR glazed vision panel
Acoustic Rating 32dB generally



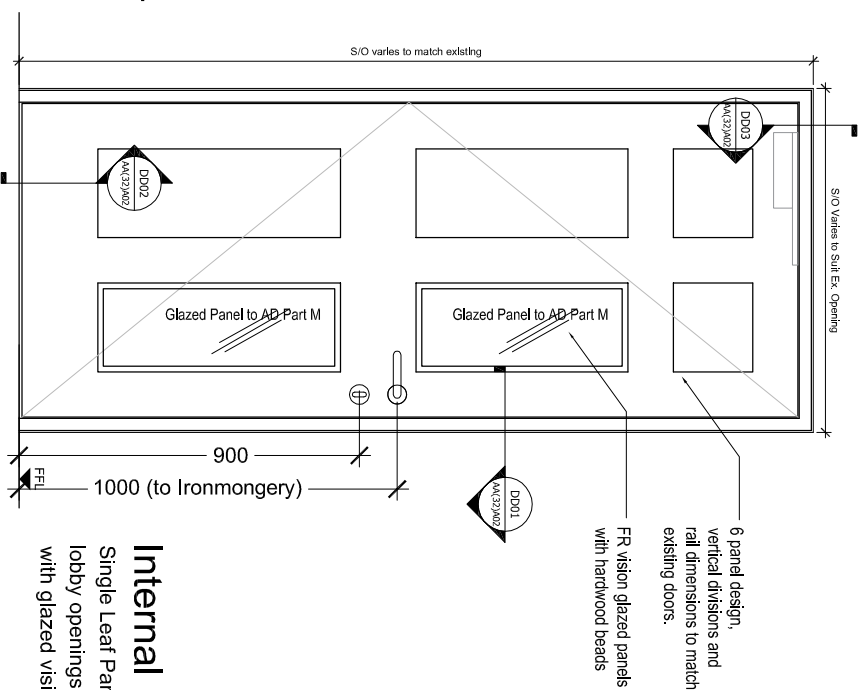
Internal Door Type 2
New Single Leaf Solid Doors to stores etc
Fire Rating FD30



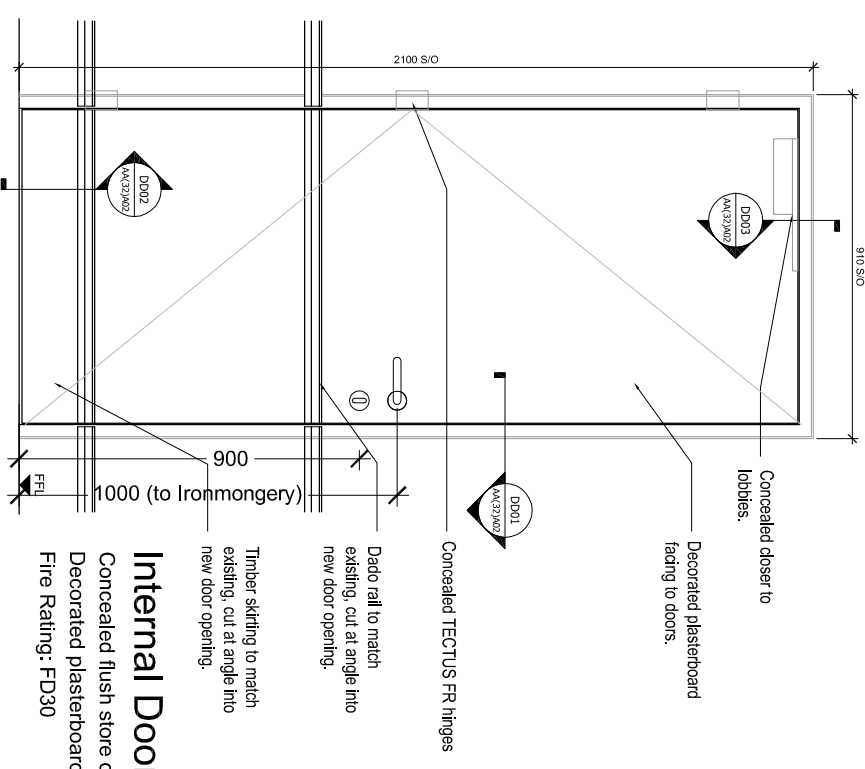
Internal Door Type 3
Bathroom door
HPL laminate facing both sides



Internal Door Type 4
Single Leaf Panelled Doors in existing
lobby openings:
- Fire Rating FD30S

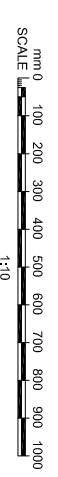


Internal Door Type 4a
Single Leaf Panelled Doors in existing
lobby openings: - Fire Rating FD30S
with glazed vision panel



Internal Door Type 5
Concealed flush store door
Decorated plasterboard face both sides
Fire Rating: FD30

- All doors (except Type 5) to be fitted with full height Finger guards, refer to Specification.
- All doors to occupied rooms to be fitted with Eurocylinder locking and thumb turn release to inside.



REV	DATE	REVISION/NOTE	BY	CHECK

