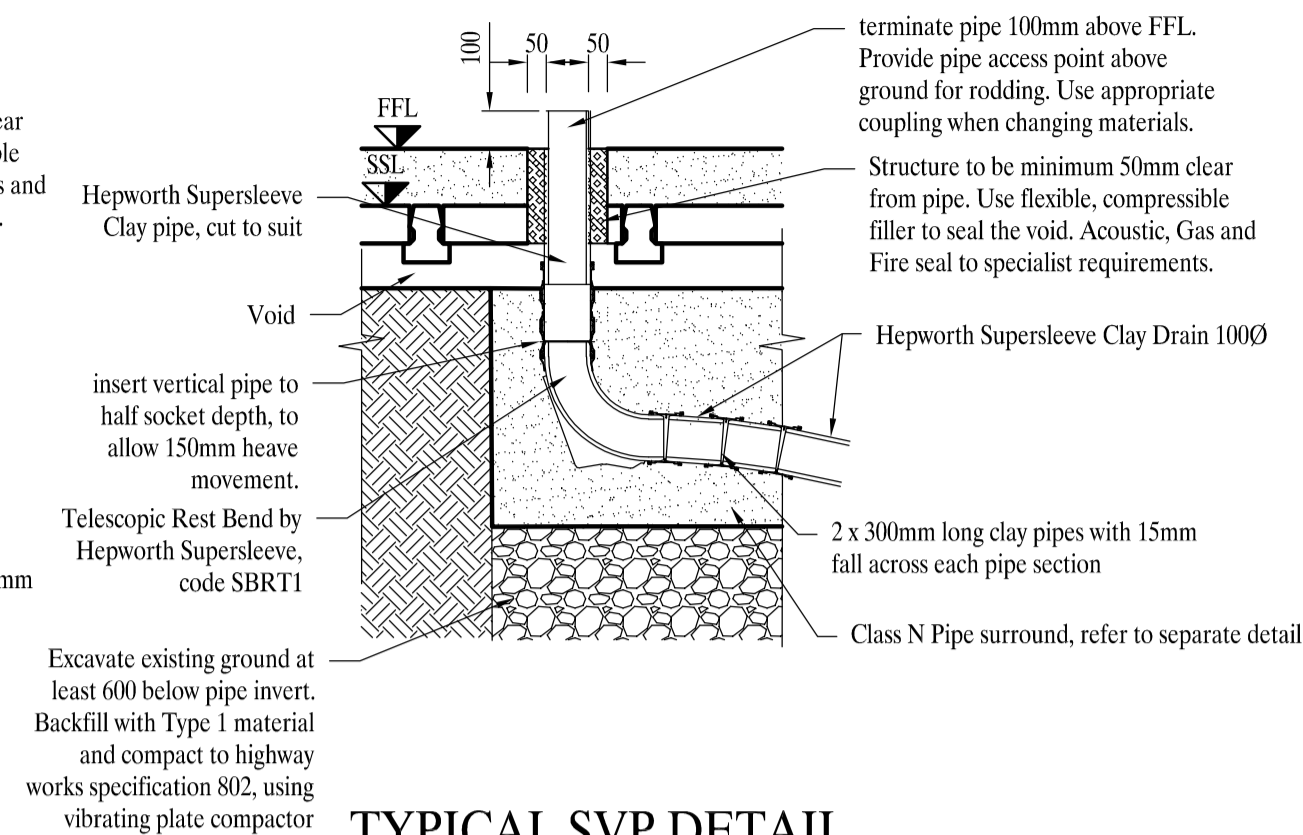
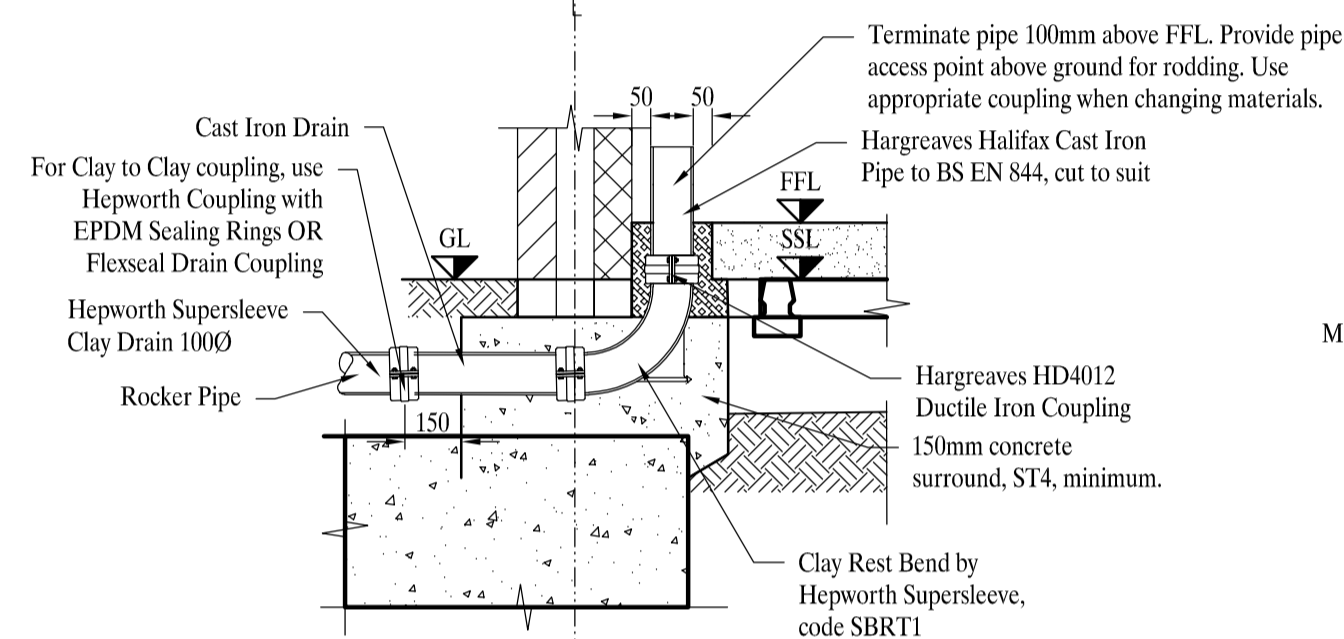


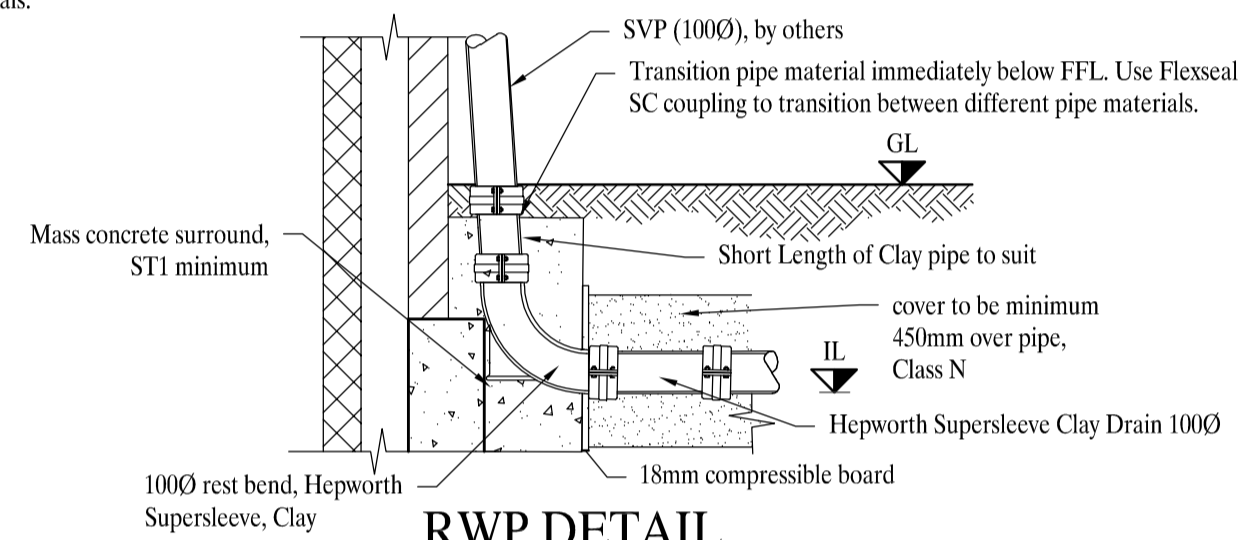
**TYPICAL SVP DETAIL NEAR FOUNDATIONS**  
Scale 1:20



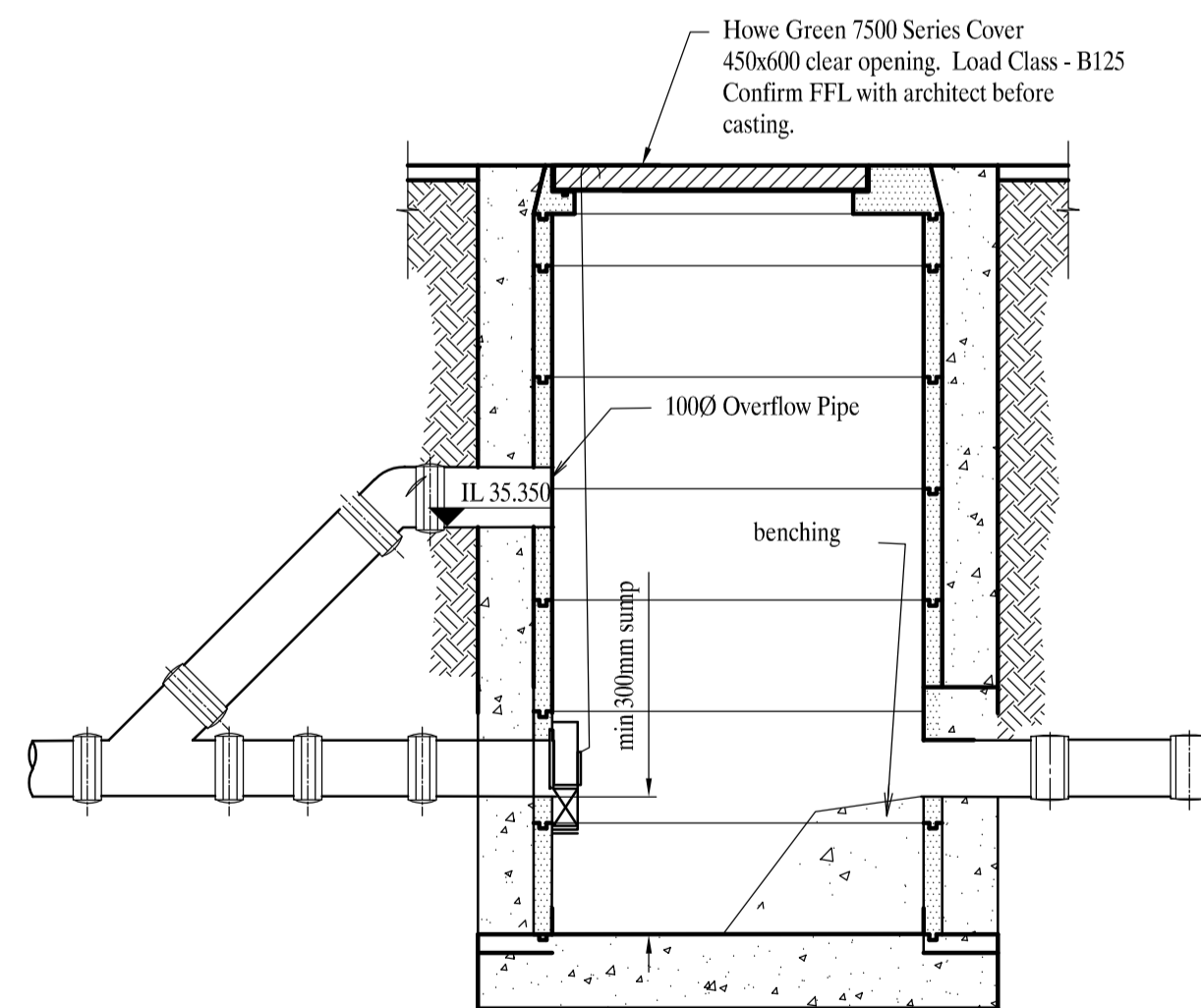
**TYPICAL SVP DETAIL AWAY FROM FOUNDATION**  
Scale 1:20



**TYPICAL INTERNAL RWP DETAIL**  
Scale 1:20

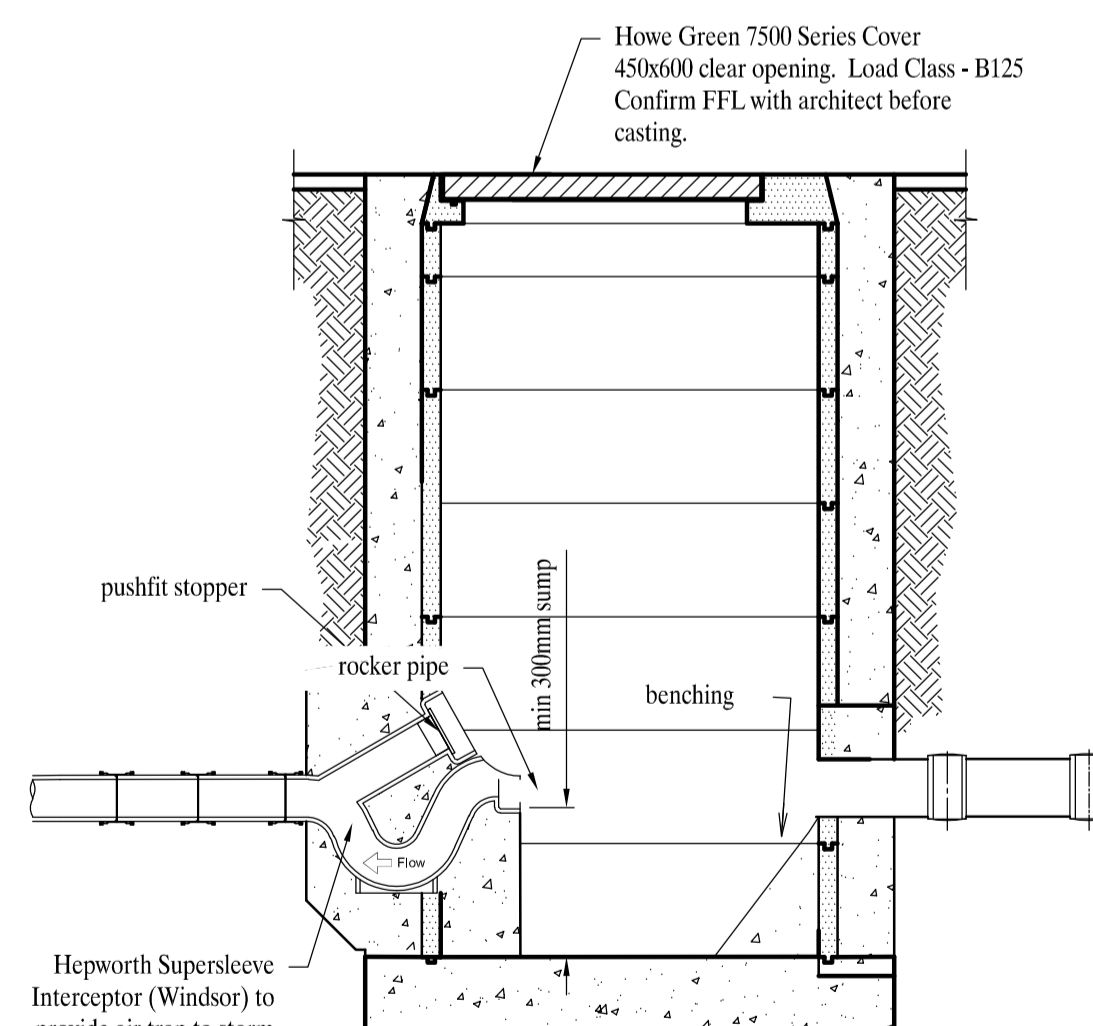


**RWP DETAIL EXTERNAL TO BUILDING**  
Scale 1:20

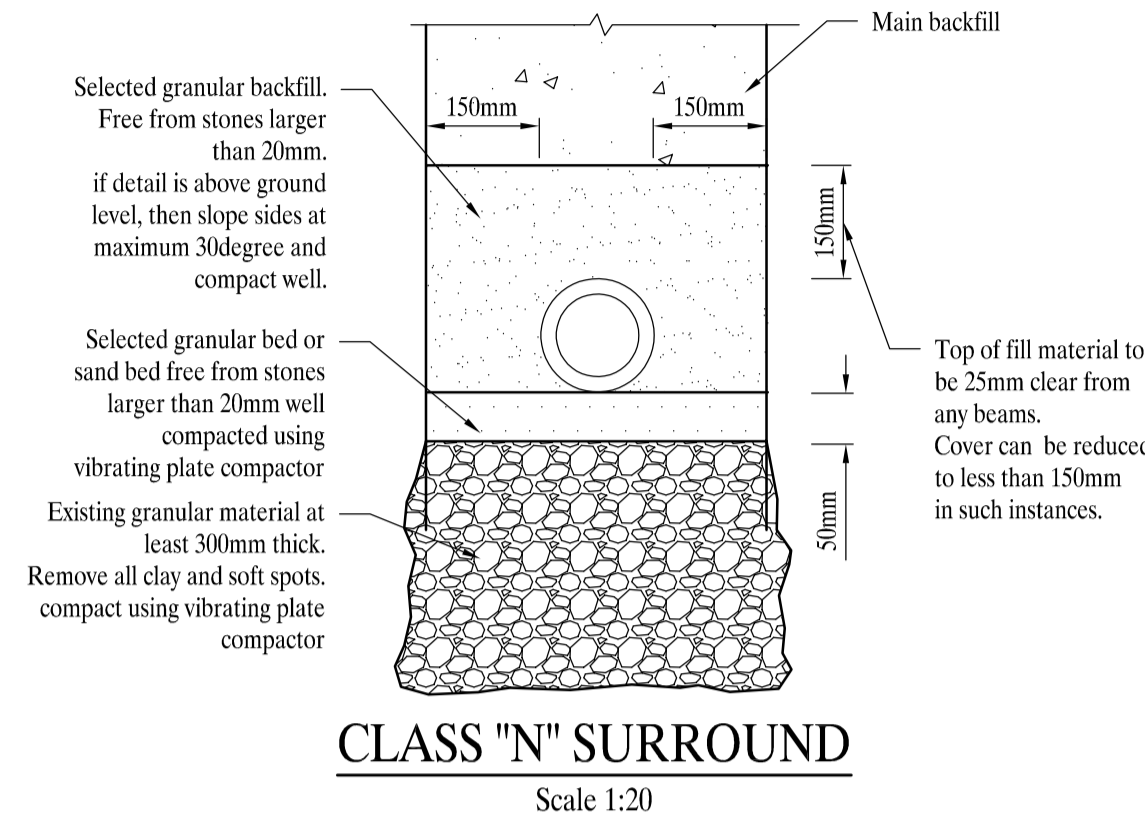


**ORIFICE CHAMBER DETAIL**  
Scale N.T.S

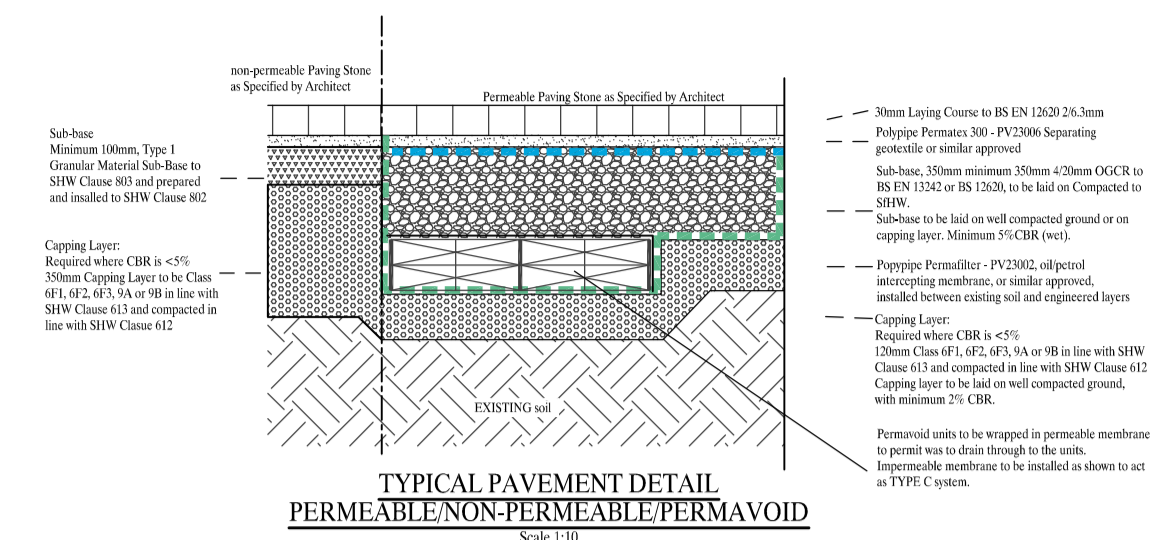
ORIFICE SPECIFICATION	
Range	- ACO Q-Plate
Orifice size	- 40 Ø
Discharge Rate	- 2.0 l/s
Design Head	- 0.40 m
Outfall pipe size	- 100 mm
Outfall I.L.	- 34.950m
Overflow Pipe	- 100mm
Overflow Pipe I.L.	- 35.35m



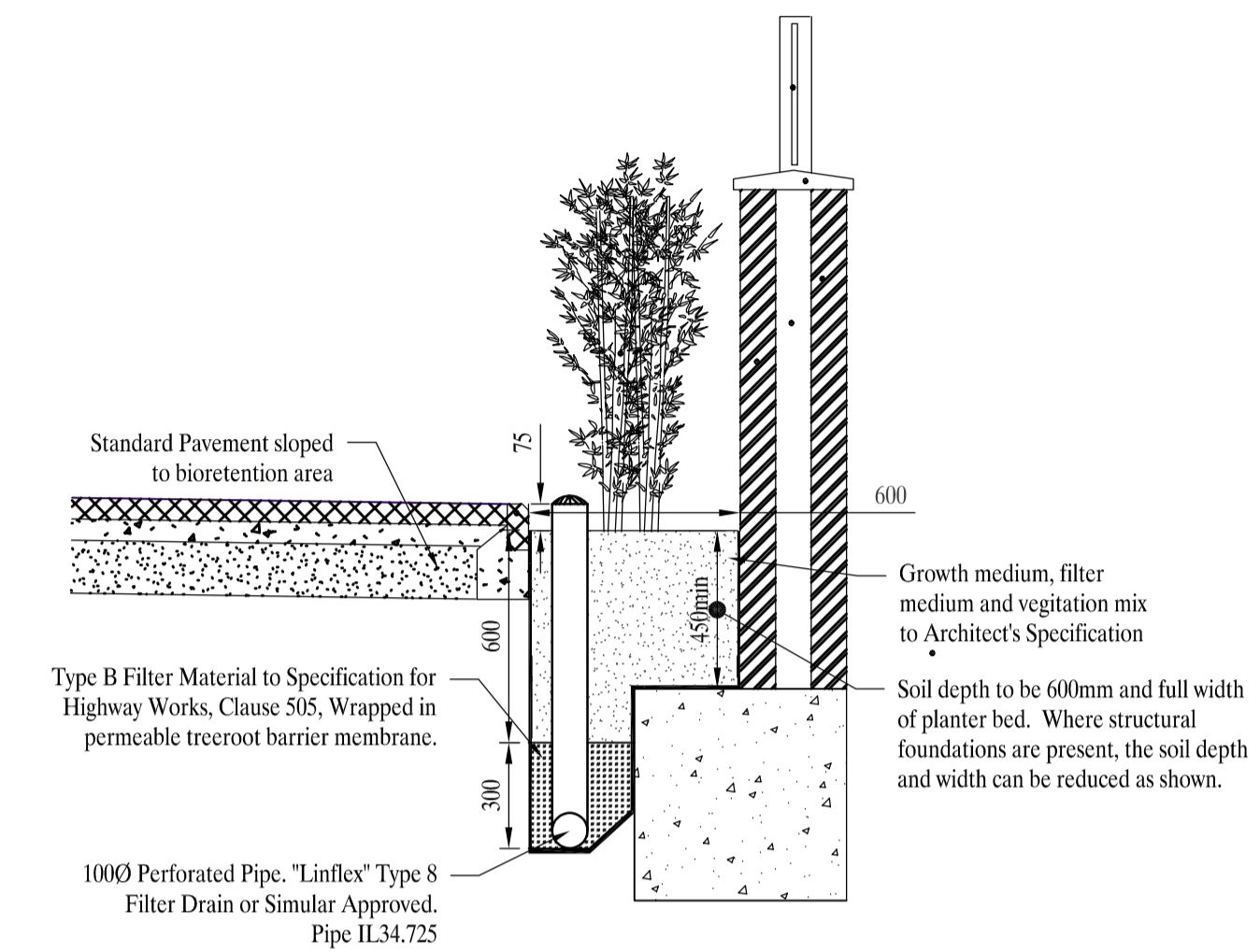
**CHAMBER DETAIL WITH AIR TRAP**  
Scale N.T.S



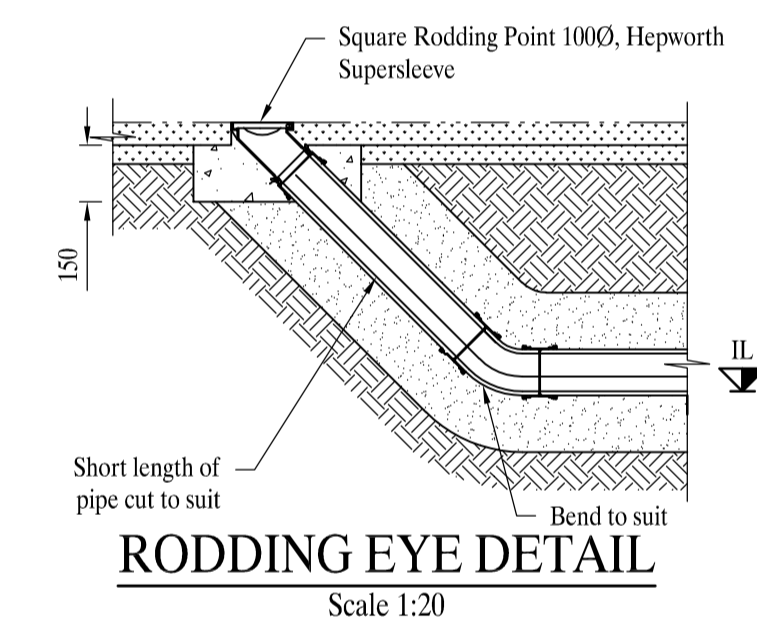
**CLASS "N" SURROUND**  
Scale 1:20



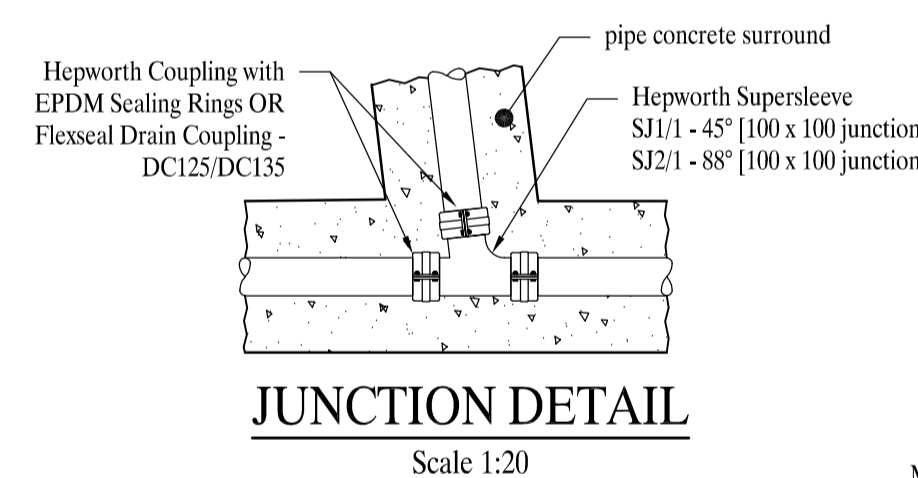
**TYPICAL PAVEMENT DETAIL PERMEABLE/NON-PERMEABLE/PERMAVOID**  
Scale 1:10



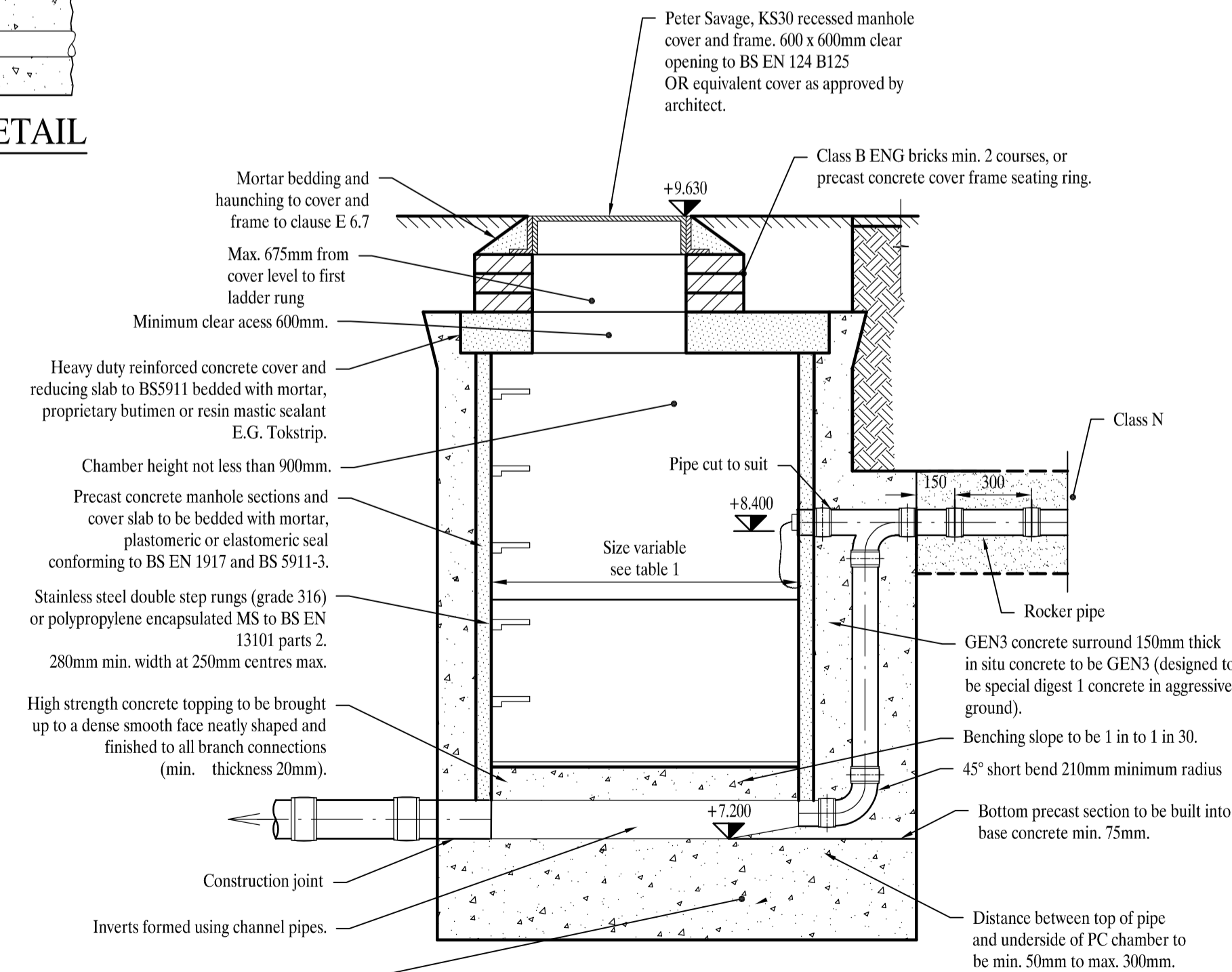
**BIO-RETENTION SYSTEM**  
Scale 1:20



**RODDING EYE DETAIL**  
Scale 1:20



**JUNCTION DETAIL**  
Scale 1:20



**CONCRETE RING MANHOLE AND BACKDROP DETAIL SEWERS FOR ADOPTION MANHOLE, TYPE 2**  
Scale 1:20

- Notes:**
- All dimensions are in millimetres unless otherwise stated.
  - All levels are in metres unless otherwise stated.
  - This drawing should be read in conjunction with all relevant architects, structural engineers and m/e engineers drawings and specification.
  - For setting out of rainwater and foul water drain points refer to architects and M.E.P. drawings.
  - All pipes to be CLAY to BS EN 295
  - New connection onto existing sewer to be in accordance with Thames Water requirements. Contractor to submit application to Thames Water for permission to connect new building drainage to existing on-site manhole.
  - All buried concrete products and mortars are to contain class 2 sulphate resisting cement.

**TENDER ONLY NOT FOR CONSTRUCTION**

Rev.	Date	Drawn	Amendment
01	10.05.18	NC	Issued for Tender

**PRINGER-JAMES**  
CONSULTING ENGINEERS  
Overseas House, Elm Grove, London, SW19 4HE  
Phone/Fax: 020 8940 4159  
Email: mail@pjce.com Website: www.pjce.com

**OWNER**  
GARAGES TO THE SOUTH OF 27A WEST END LANE, LONDON NW6 4QT

**DRAINAGE DETAILS**

Status: TENDER			
Scales: 1:100@A1	Date: May, 2017	Drawn: DA	Engineer: VM
Drawing No: L2216-C-52-710	Checked: TF	Revision: 01	