

SPRO[®]**IP**

DHIPD30/2812RV

3 Megapixel IP Vandal Resistant IR Dome Camera



3 MEGAPIXEL



2.8~12 MM



30m IR



VANDAL PROOF



IP66



Key Features:

- 3 Megapixel progressive CMOS
- H.264 & MJPEG dual-stream encoding
- Max 20fps@3MP (2048x1536) or 25fps@1080P(1920 x1080)
- DWDR, Day/Night(ICR), 3DNR, AWB, AGC, BLC
- Multiple network monitoring: Web viewer & CMS(SPRO CSS)
- 2.8~12mm varifocal lens
- Max IR LEDs Length 30m
- IP66 waterproof and IK10 vandal resistance
- DC12V/PoE

SPECIFICATIONS

Model Number	DHIPD30/2812RV
Image Sensor	1/3" 3Megapixel progressive scan CMOS
Effective Pixels	2048(H) X 1536(V)
Scanning System	Progressive
Electronic Shutter Speed	Auto/Manual, 1/3(4)~1/100000s
Min. Illumination	0.1Lux/F1.4(Color), 0Lux/F1.4(IR on)
S/N Ratio	More than 50dB
Video Output	N/A
Camera Features	
Max. IR LEDs Length	30m

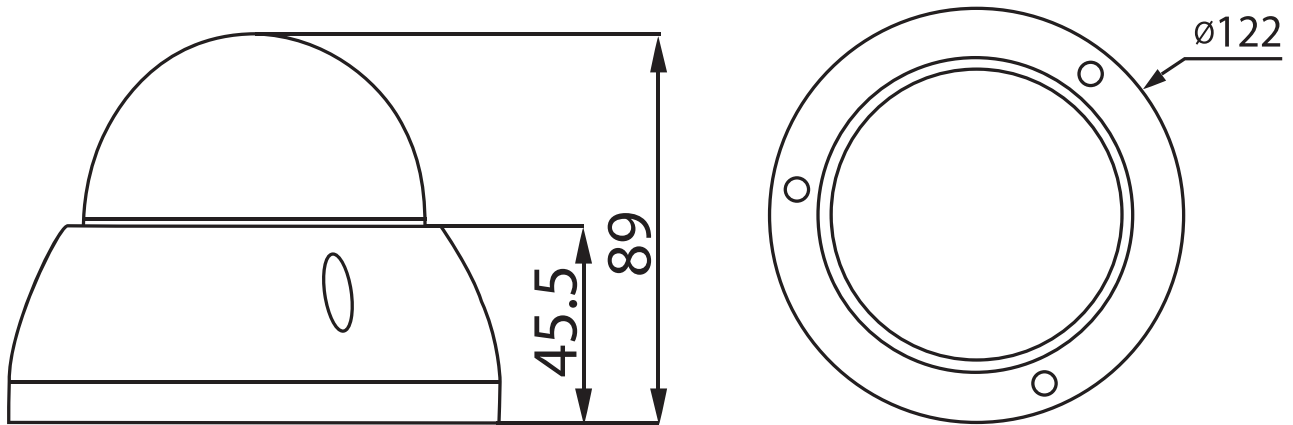
(continued)

(continued)

Day/Night	Auto(ICR)/Color/B/W	
Backlight Compensation	BLC / HLC / DWDR	
White Balance	Auto/Manual	
Gain Control	Auto/Manual	
Noise Reduction	3D	
Privacy Masking	Up to 4 areas	
Lens		
Focal Length	2.8mm~12mm	
Max Aperture	F1.4	
Focus Control	Auto	
Angle of View	H: 92°~28°	
Video		
Compression	H.264/ H.264H/ MJPEG	
Resolution	3M (2048x1536)/1080P(1920x1080)/1.3M(1280x960) /720P(1280x720)/D1(704x576/704x480)/CIF(352x288/352x240)	
Frame Rate	Main Stream	3M(1 ~ 20fps)/1080P (1 ~ 25/30fps)
	Sub Stream	D1/CIF(1 ~ 25/30fps)
Bit Rate	H.264H: 40K ~ 8192Kbps	
Audio		
Compression	N/A	
Interface	N/A	
Network		
Ethernet	RJ-45 (10/100Base-T)	
Wi-Fi	N/A	
Protocol	IPv4/IPv6, HTTP, HTTPS, SSL, TCP/IP, UDP, UPnP, ICMP, IGMP, SNMP, RTSP RTP, SMTP, NTP, DHCP, DNS, PPPOE, DDNS, FTP, IP Filter, QoS, Bonjour	
Compatibility	ONVIF 2.4	
Max. User Access	20 users	
Smart Phone	iPhone, iPad & Android	
Auxiliary Interface		
Memory Slot	N/A	
RS485	N/A	

(continued)

Alarm	N/A
PIR Sensor Range	N/A
General	
Power Supply	DC12V, PoE (802.3af)
Power Consumption	<5.5W
Working Environment	-30°C~+60°C, Less than 95% RH
Ingress Protection	IP66
Vandal Resistance	IK10
Dimensions	Ø122mm X 89mm
Weight	0.5Kg



All specifications are subject to change without notice. Copyright © Luxrite Ltd. All rights reserved