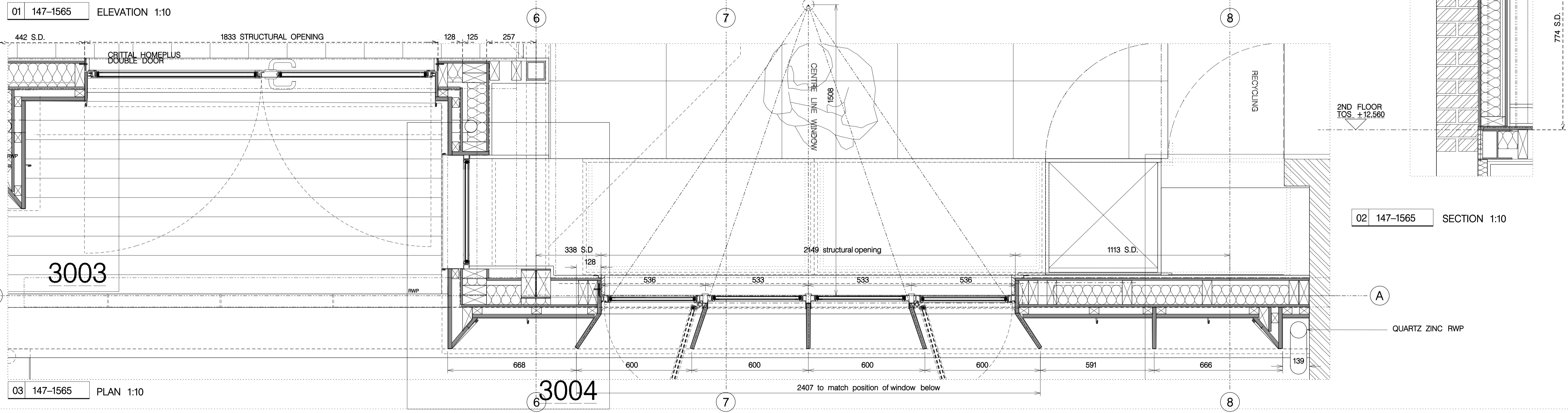
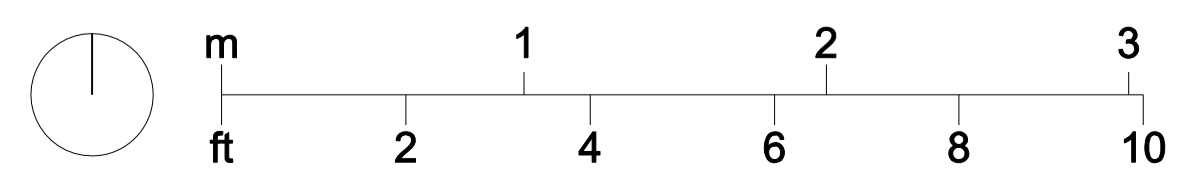


01 147-1565 ELEVATION 1:10



03 147-1565 PLAN 1:10

CONSTRUCTION



REV	DATE	DESCRIPTION
C1	24.04.18	ANGLED WINDOWS ADDED
C	15.03.18	CONSTRUCTION
T	16.01.18	DRAFT SET

JOB 32 LAURIER ROAD, LONDON NW5 1SJ FOR R + T KEEP		TITLE WINDOW W.3.03 DETAIL			
© RICHARD KEEP ARCHITECTS 122 Arlington Rd London NW1 7HP www.richardkeep.com info@richardkeep.com		DRAWN ---	DATE 19.12.16	JOB NO 147	REV C1
CONTRACTOR TO CHECK ALL DIMENSIONS ON SITE DO NOT SCALE SPECIFICATION TO TAKE PRECEDENCE OVER DRAWINGS AND DETAILS		CHECK ---	SCALE 1:10@A1 1:20@A3	DWG 1565	DATE 24.04.18