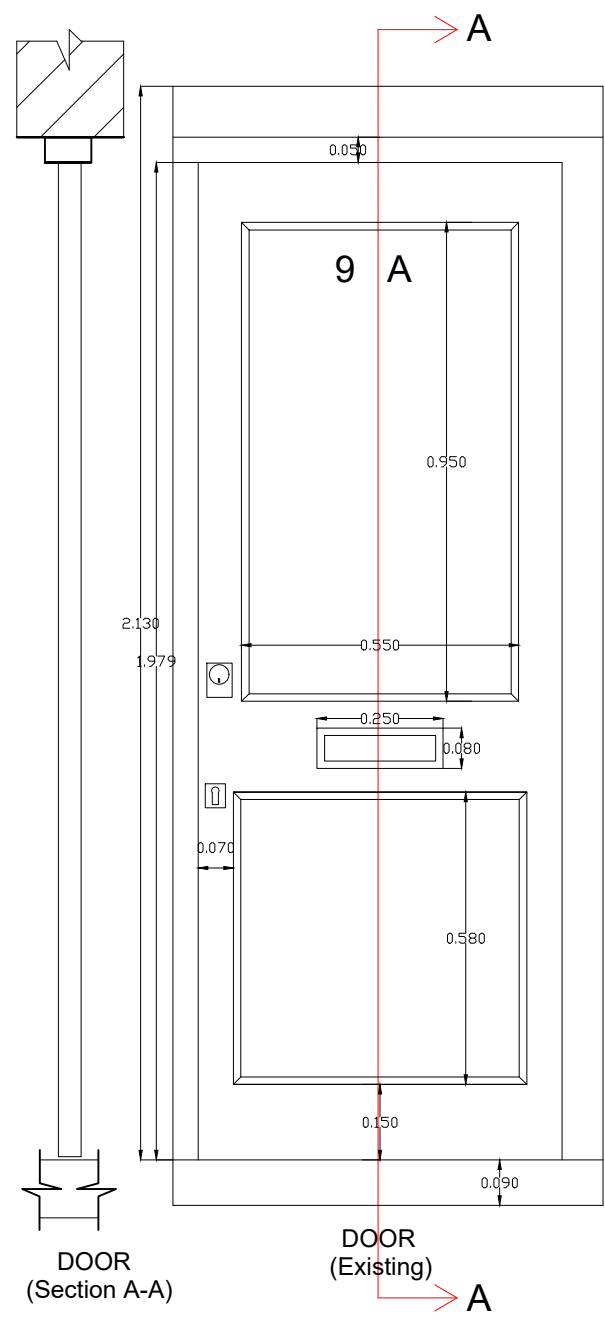
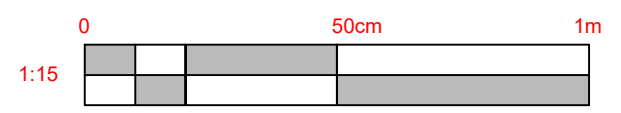
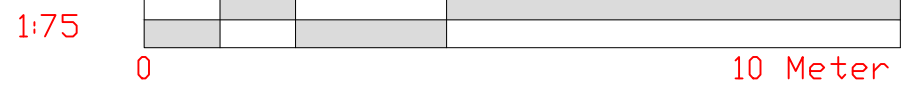
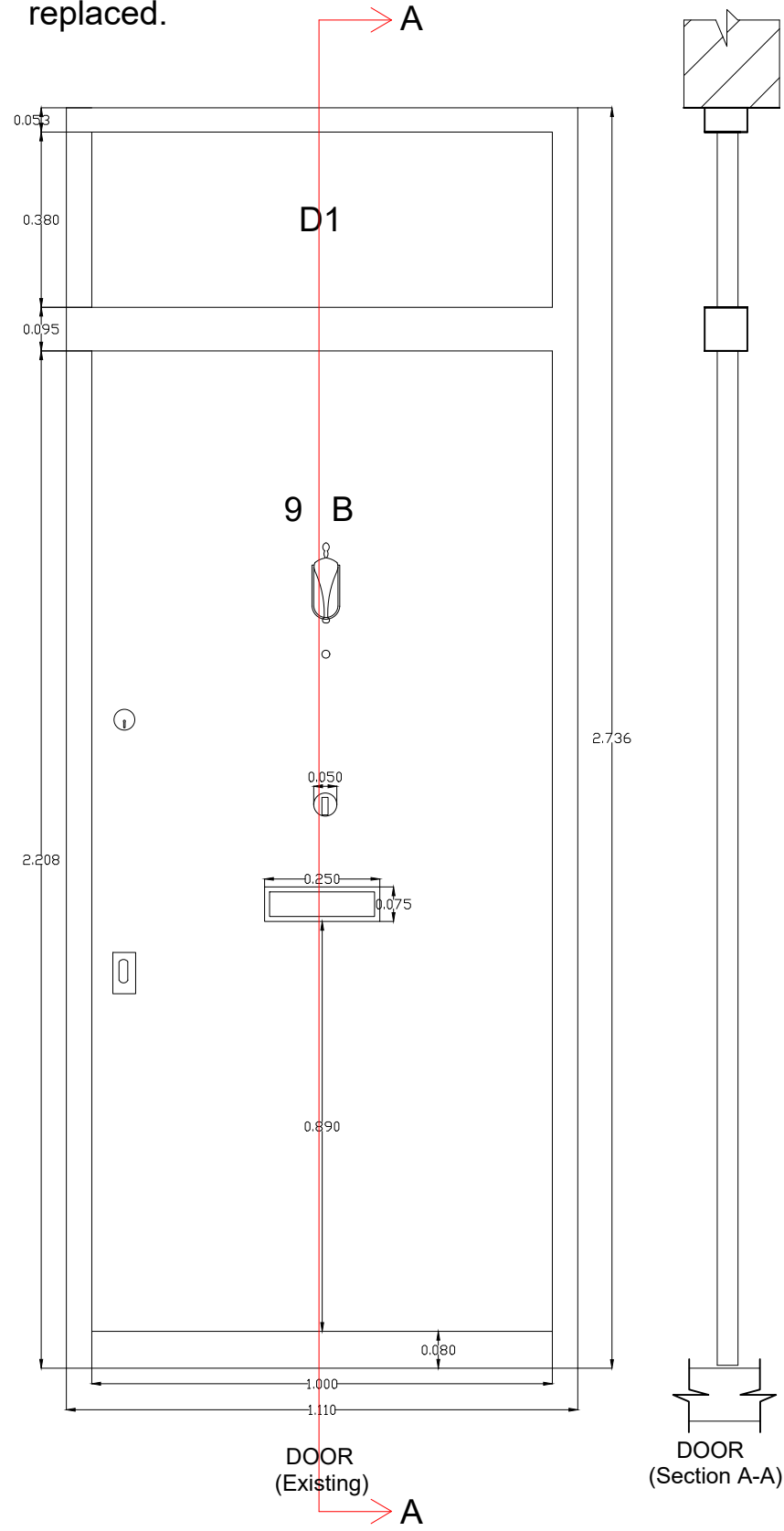


Existing Door for flat A in basement to be replaced.



Existing Door for flat B in ground floor to be replaced.



EMPLOYER'S AGENTS & PROJECT MANAGERS
 Unit A Court House 11a High Street Barnet
 LONDON EN5 5UJ
 TEL: 020 8446 5537
 E-MAIL: INFO@WALKERMANAGEMENT.CO.UK

TITLE
EXISTING ELEVATIONS WITH DOOR DETAILING & SECTION

PROJECT
 9 A & B Rochester Road

CLIENT
 CIRCLE 33 HOUSING / KIER

SCALE: AS IDENTIFIED		
CAD FILE: -		
DATE: 16.10.17		
DRAWN BY: SRB		
CHECKED:		
PROJECT NO. 3565	DRAWING NO. 3565/WM/01	REVISION R-1