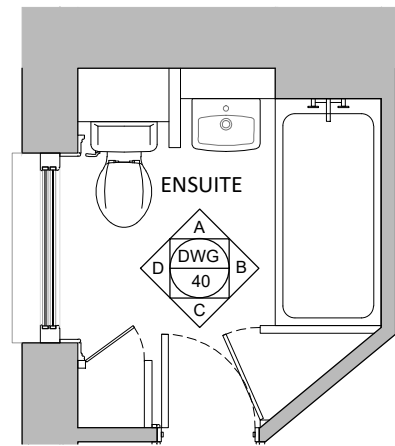


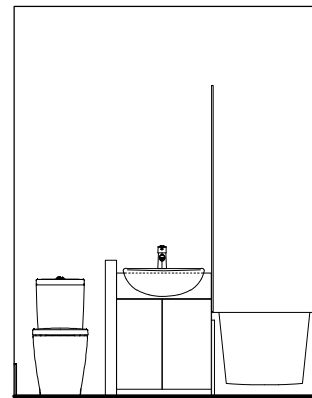
All dimensions to be checked on site.
Do not scale from this drawing
Drawings to be read in conjunction
with other consultant's information, all
drawings and specifications



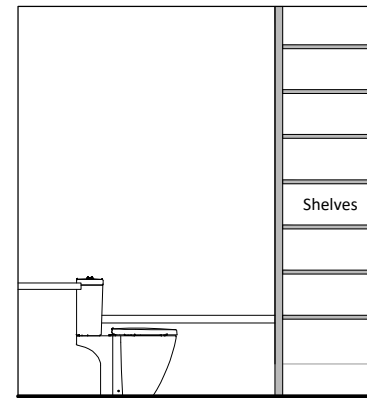
Elevation
Drawing reference



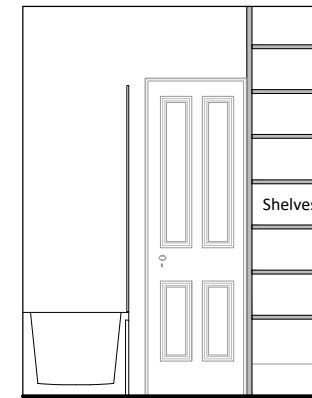
Room Plan



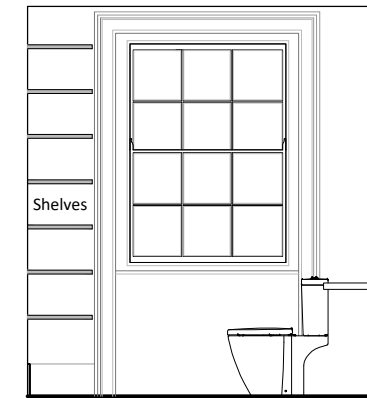
Elevation A



Elevation B

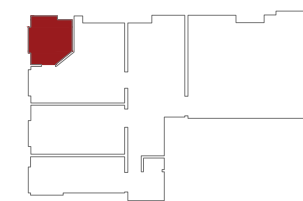


Elevation C



Elevation D

EXISTING ENSUITE INTERNAL ELEVATIONS
SCALE 1:50



P1 Planning Submission 01.05.2018

SITE: 1 New Square, WC2A 3SA

PROJECT: Refurbishment			
COUNCIL: London Borough of Camden			
INTERIM: Existing Ensuite Internal Elevations			
SCALE	1:50@A3	STATUS:	PLANNING
DRAWN BY:	H	DRAWING DATE:	MAY 18