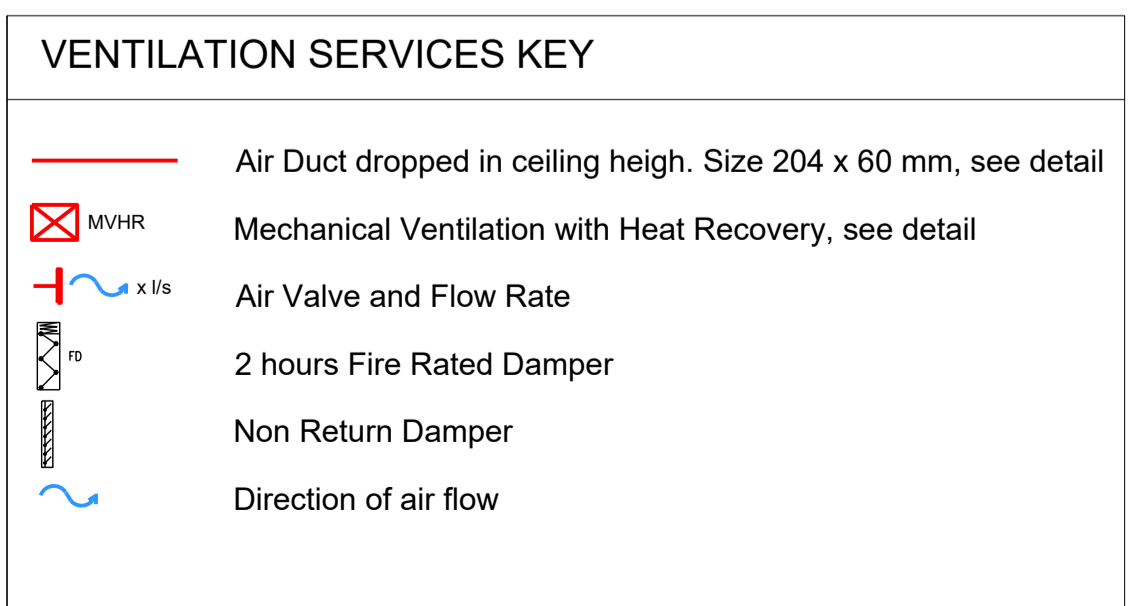
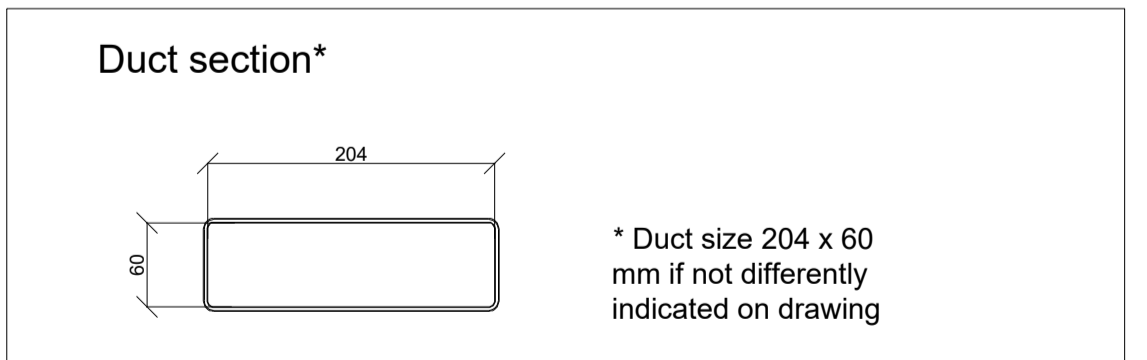
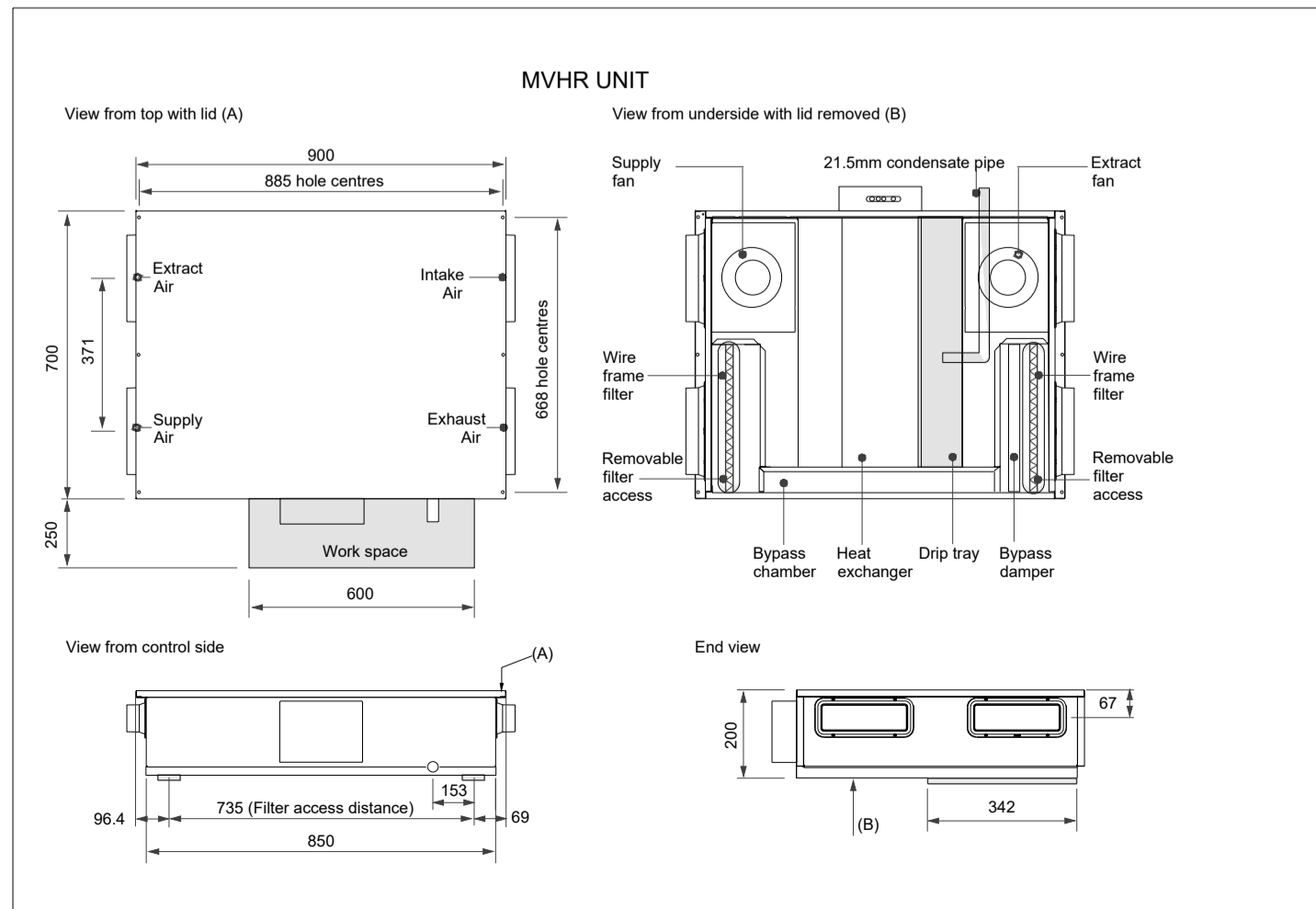


- Notes**
1. Do not scale the drawing
 2. All dimensions are in millimetres unless noted otherwise
 3. Any discrepancies between structural and architectural setting out dimensions must be brought to the attention of the Architect and Engineers



00	18.04.18	Issued for Information	ES	PD
Rev	Date	Description	Dm App	

WEBB YATES ENGINEERS
 48-50 Scrutton Street
 London EC2A 4HH
 020 3696 1550
 www.webbyates.co.uk
 info@webbyates.co.uk

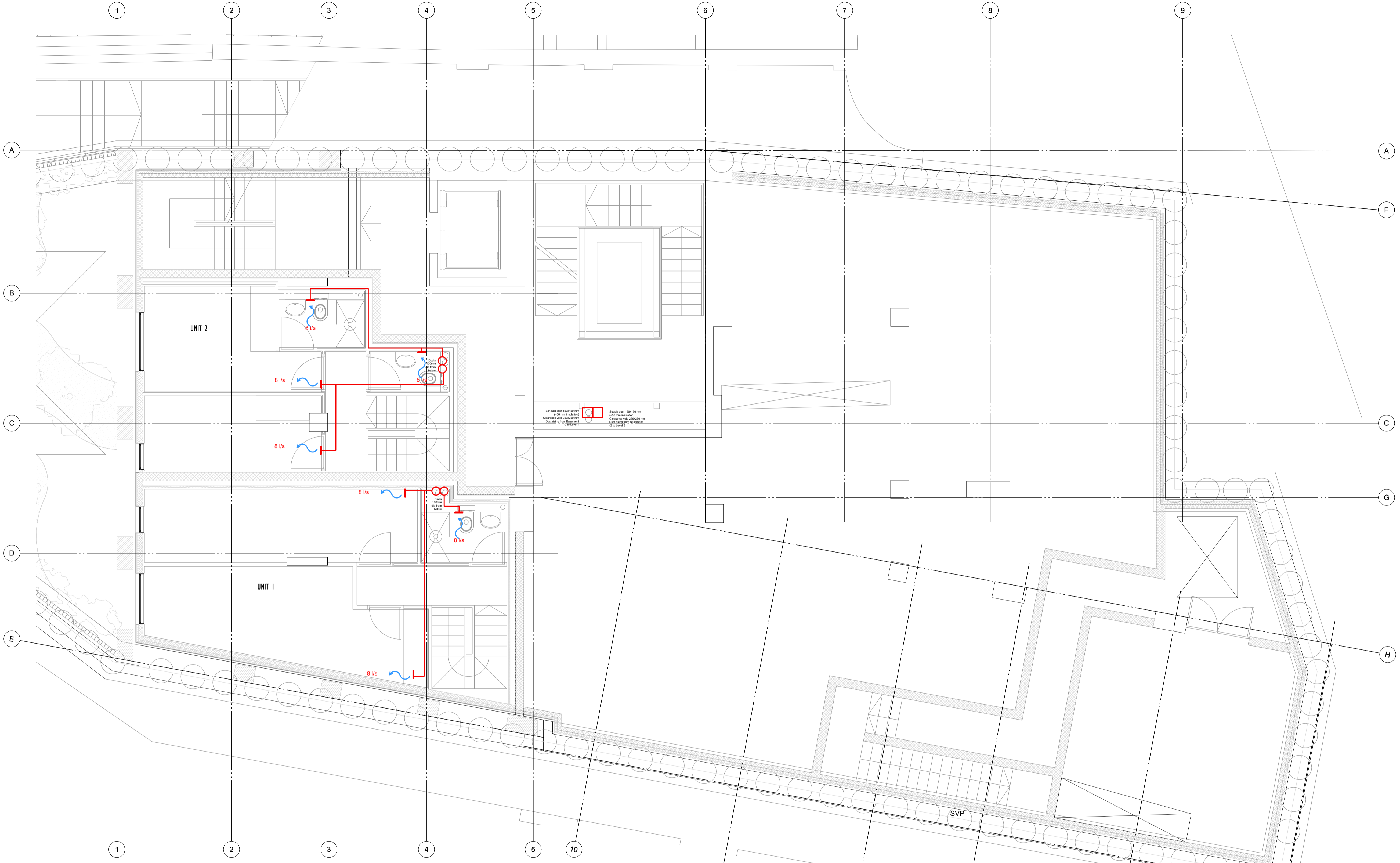
Project **317 Finchley Road**

Drawing Title **Ventilation Layout Basement -2 Level**

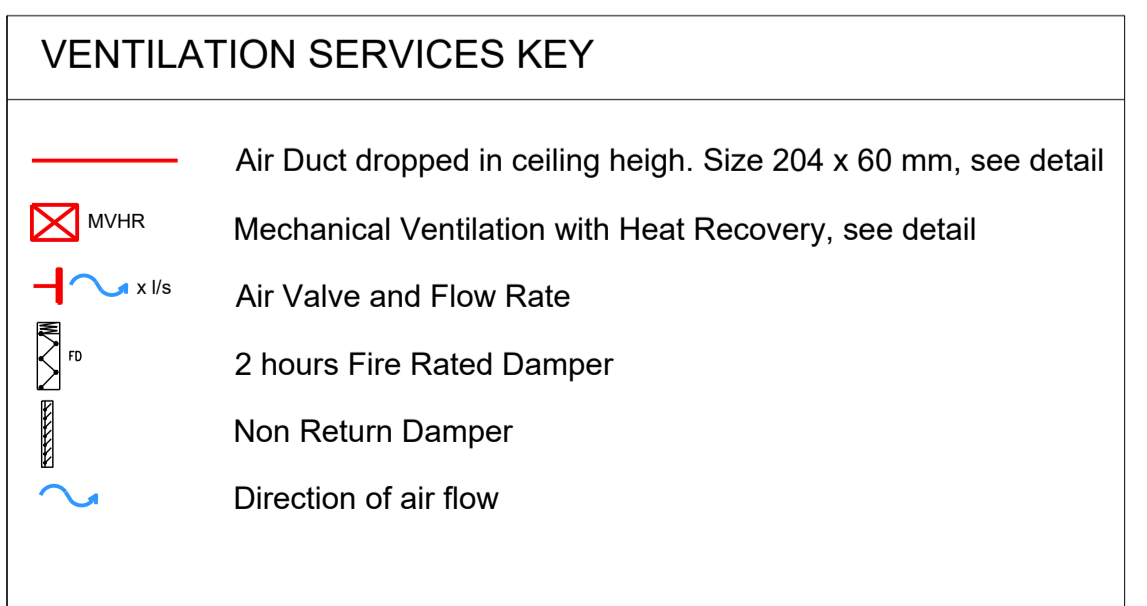
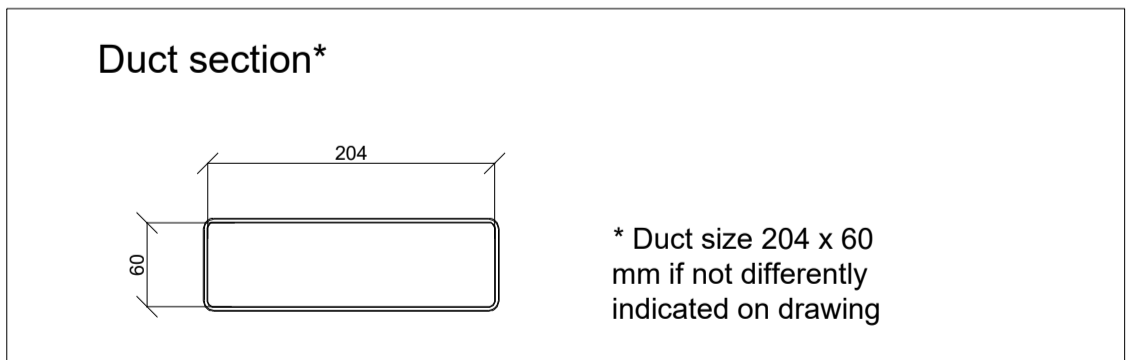
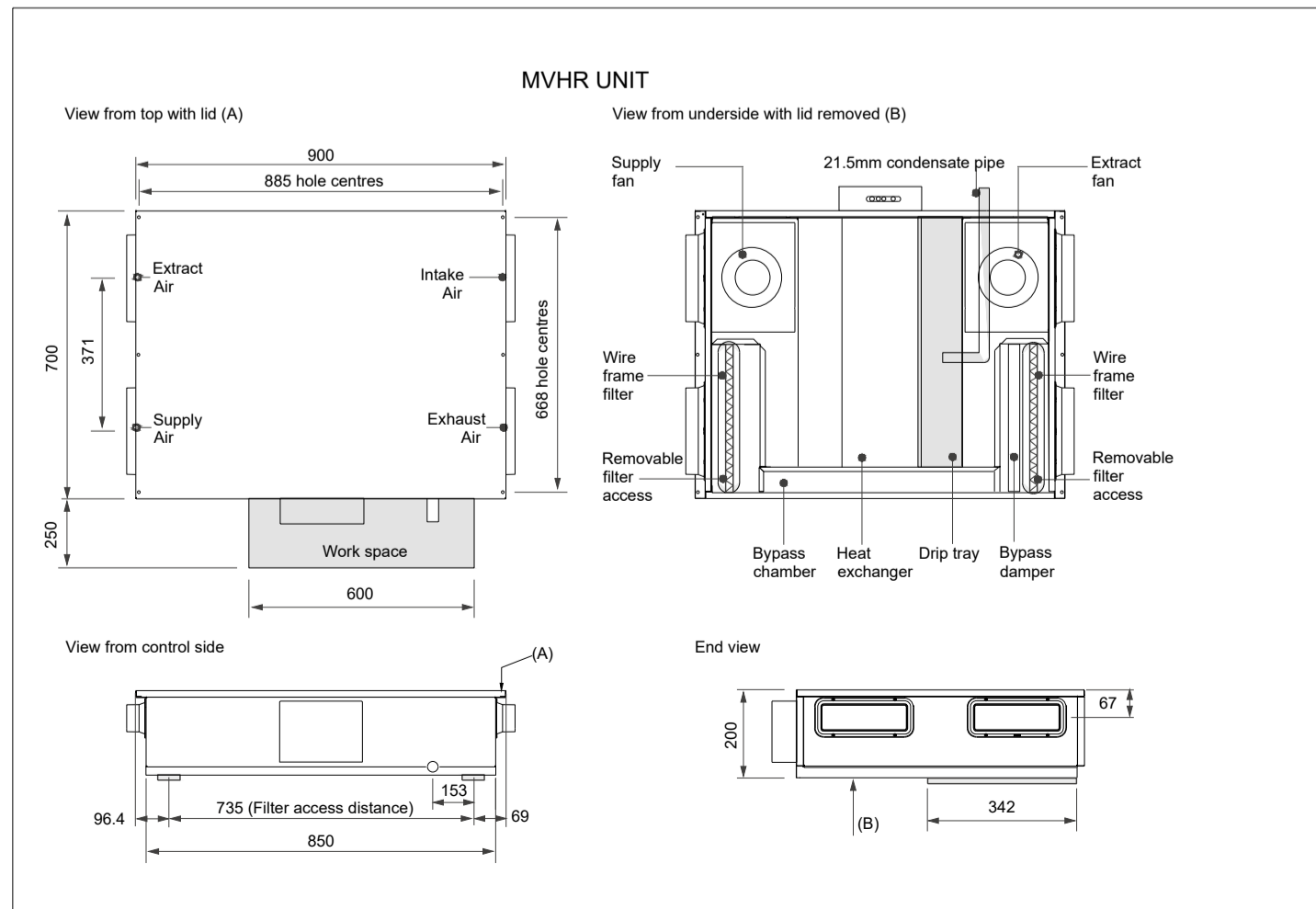
Drawing Status **Information**

Drawn by	Checked by	Sheet size	Scale	Rev status
ES	PD	A1	1:50	S9

Drawing Number	Revision
J2680-M-DR-500	00



- Notes**
1. Do not scale the drawing
 2. All dimensions are in millimetres unless noted otherwise
 3. Any discrepancies between structural and architectural setting out dimensions must be brought to the attention of the Architect and Engineers



00 18.04.18 Issued for Information ES PD
 Rev Date Description Dm App

WEBB YATES ENGINEERS
 48-50 Scrutton Street
 London EC2A 4HH
 020 3696 1550
 www.webbyates.co.uk
 info@webbyates.co.uk

Project **317 Finchley Road**

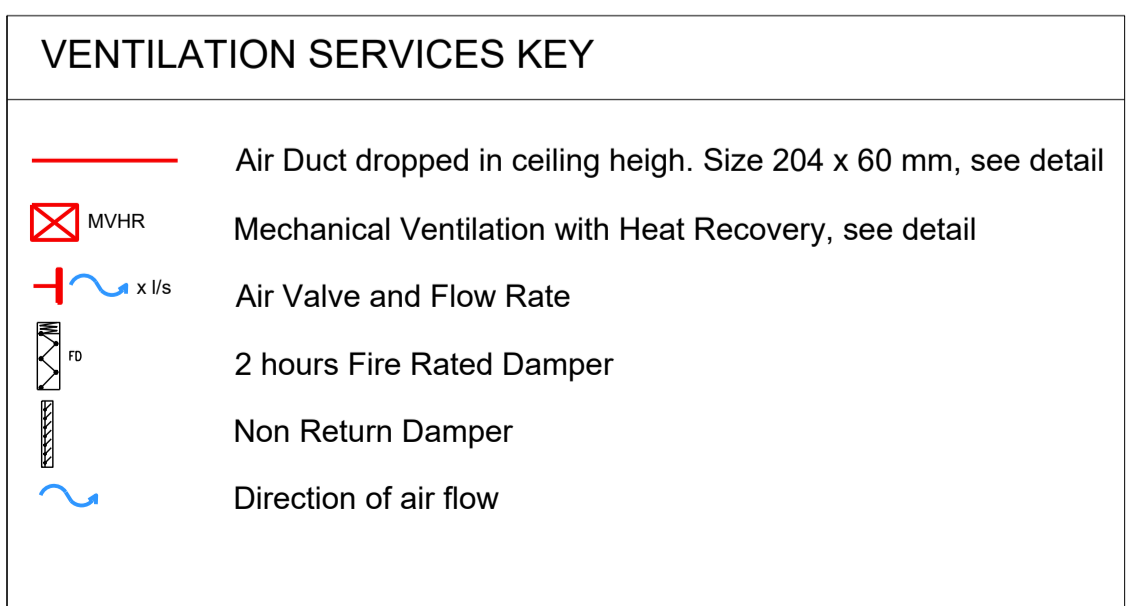
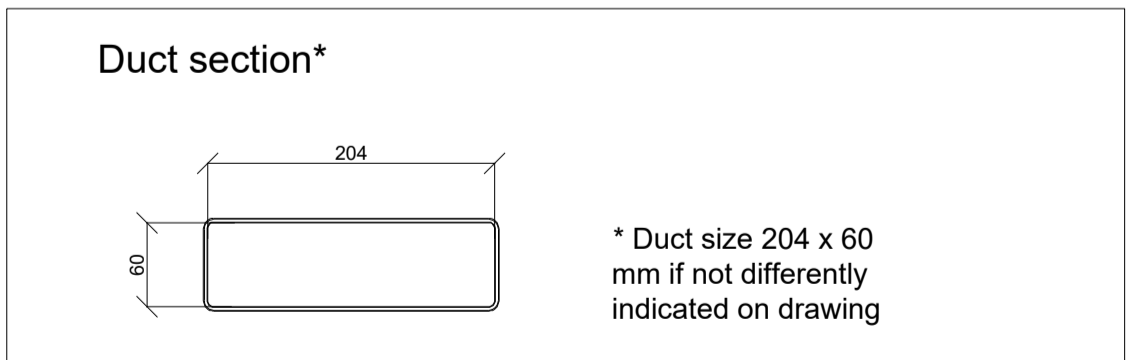
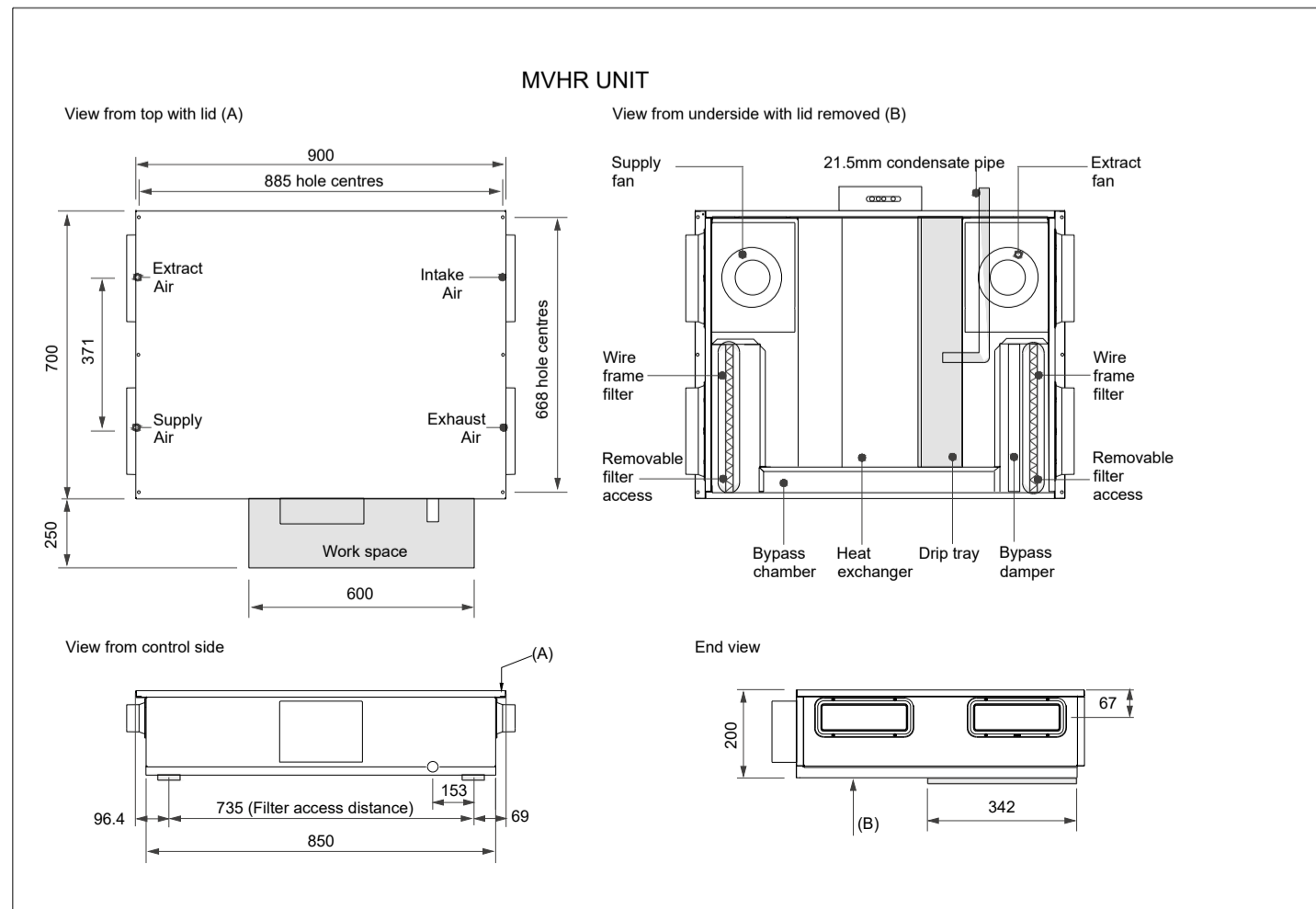
Drawing Title **Ventilation Layout Lower Ground -1 Level**

Drawing Status **Information**

Drawn by	Checked by	Sheet size	Scale	Rev status
ES	PD	A1	1:50	S9
Drawing Number J2680-M-DR-510				Revision 00



- Notes**
1. Do not scale the drawing
 2. All dimensions are in millimetres unless noted otherwise
 3. Any discrepancies between structural and architectural setting out dimensions must be brought to the attention of the Architect and Engineers



Rev	Date	Description	ES	PD
00	18.04.18	Issued for Information	ES	PD

WEBB YATES ENGINEERS
 48-50 Scrutton Street
 London EC2A 4HH
 020 3696 1550
 www.webbyates.co.uk
 info@webbyates.co.uk

Project **317 Finchley Road**

Drawing Title **Ventilation Layout Level 01**

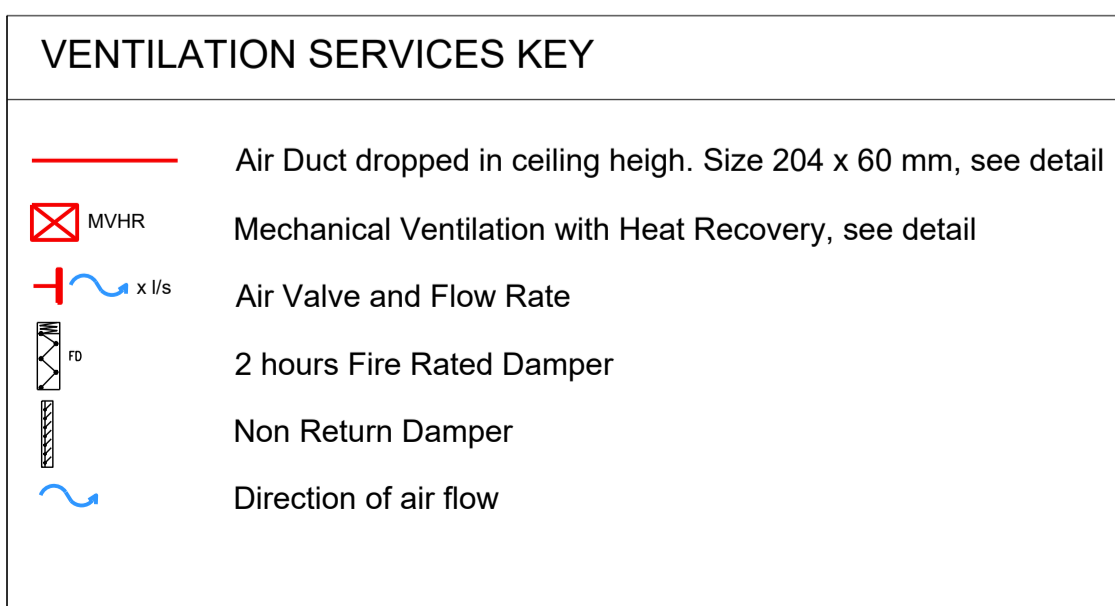
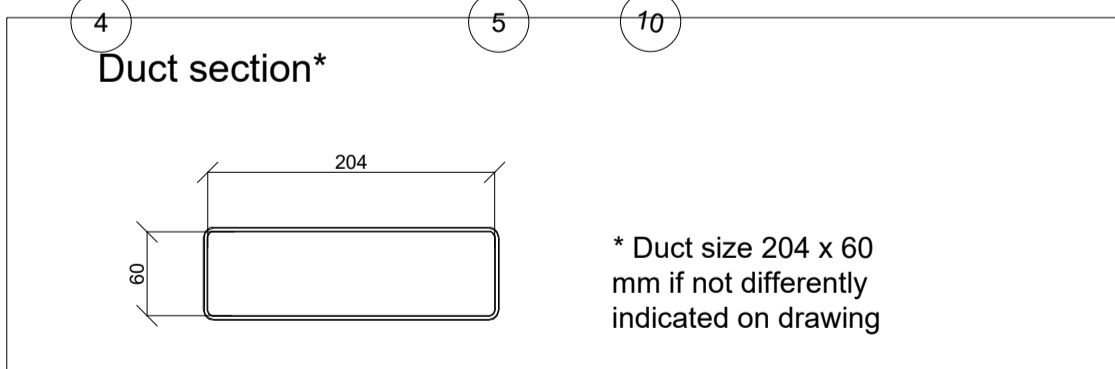
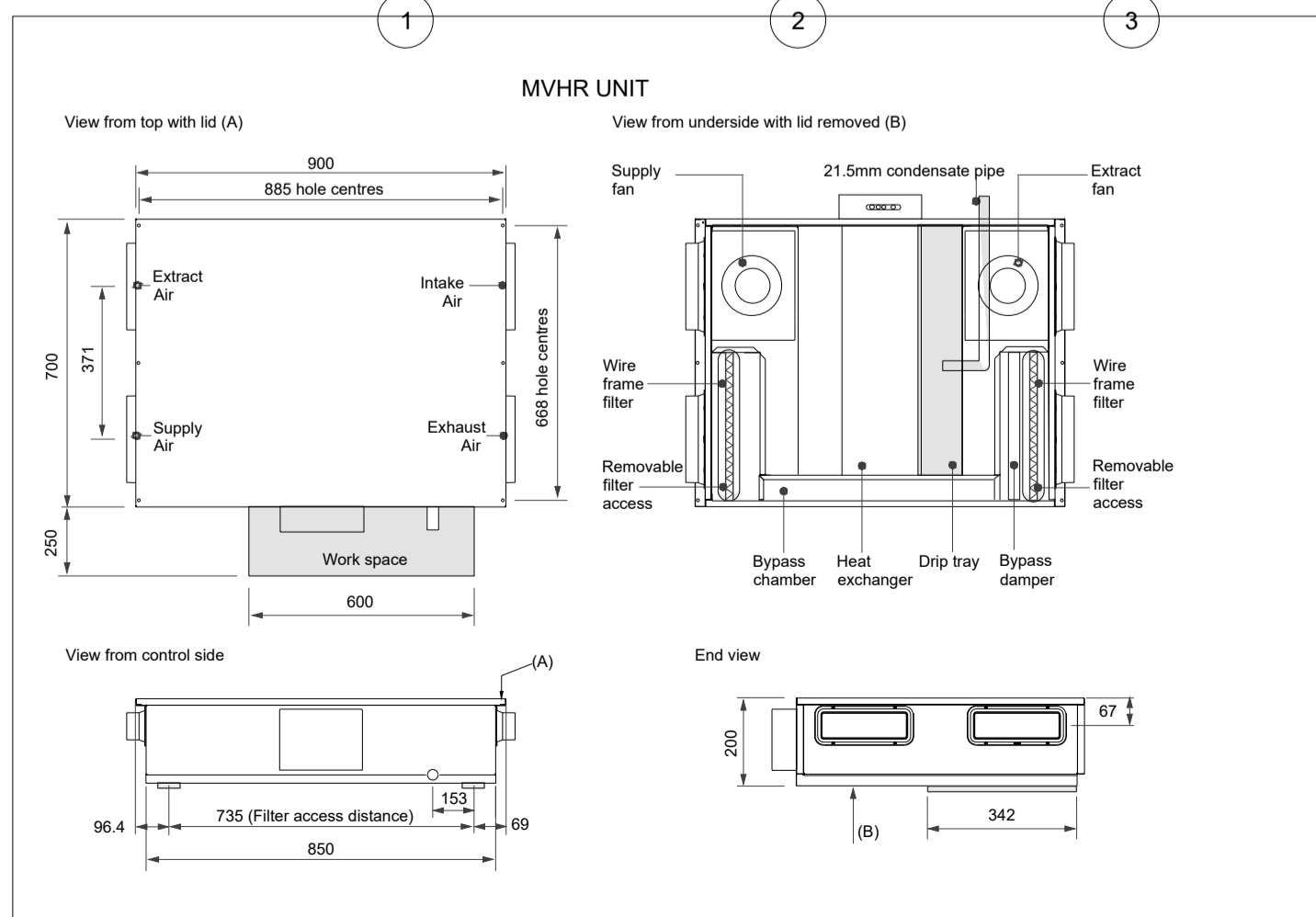
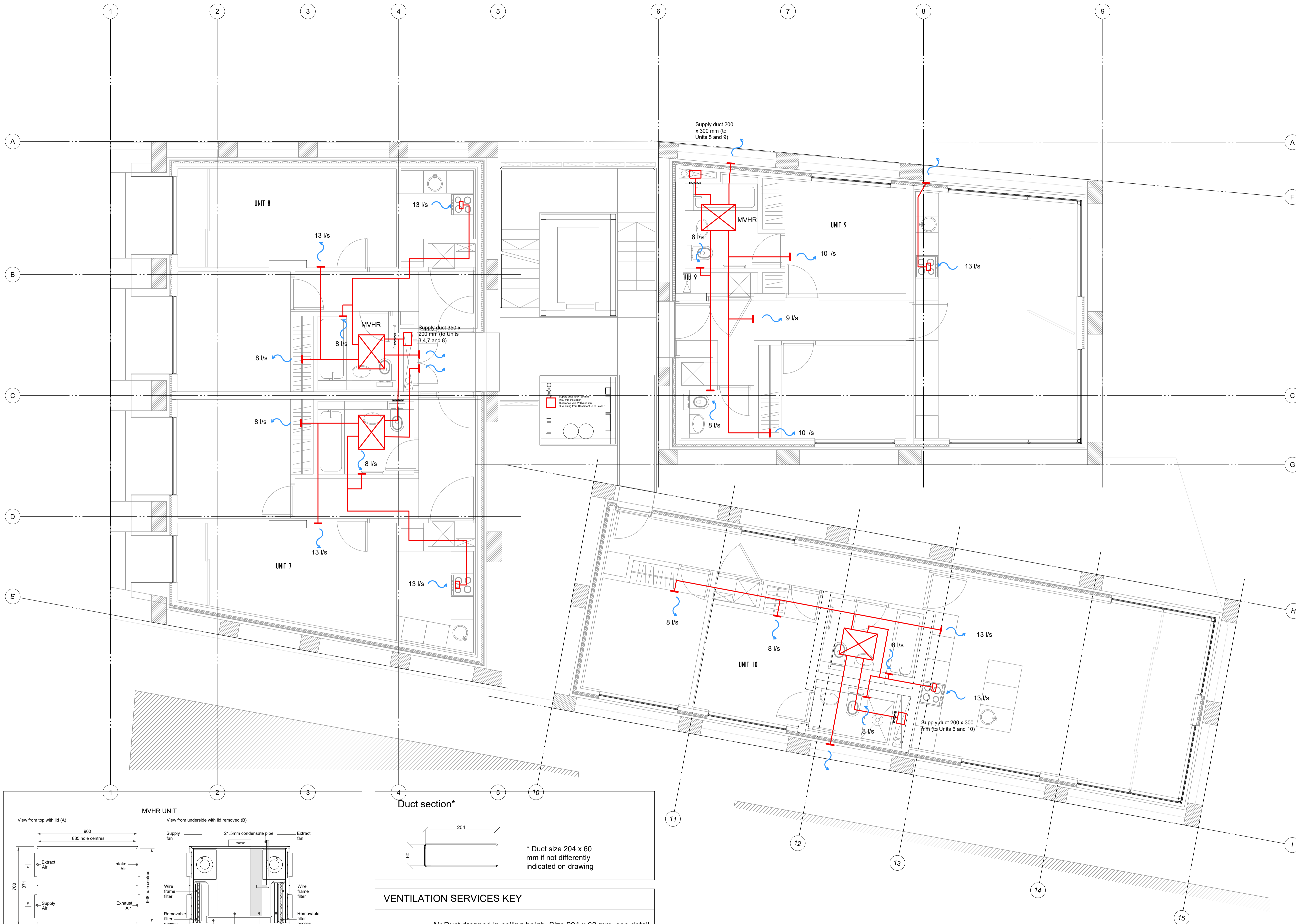
Drawing Status **Information**

Drawn by	Checked by	Sheet size	Scale	Rev status
ES	PD	A1	1:50	S9

Drawing Number	Revision
J2680-M-DR-530	00

Notes

1. Do not scale the drawing
2. All dimensions are in millimetres unless noted otherwise
3. Any discrepancies between structural and architectural setting out dimensions must be brought to the attention of the Architect and Engineers



00	20.04.18	Issued for Information	ES	PD
Rev	Date	Description	Dm App	

WEBB YATES ENGINEERS
 48-50 Scrutton Street
 London EC2A 4HH
 020 3696 1550
 www.webbyates.co.uk
 info@webbyates.co.uk

Project **317 Finchley Road**

Drawing Title **Ventilation Layout Level 02**

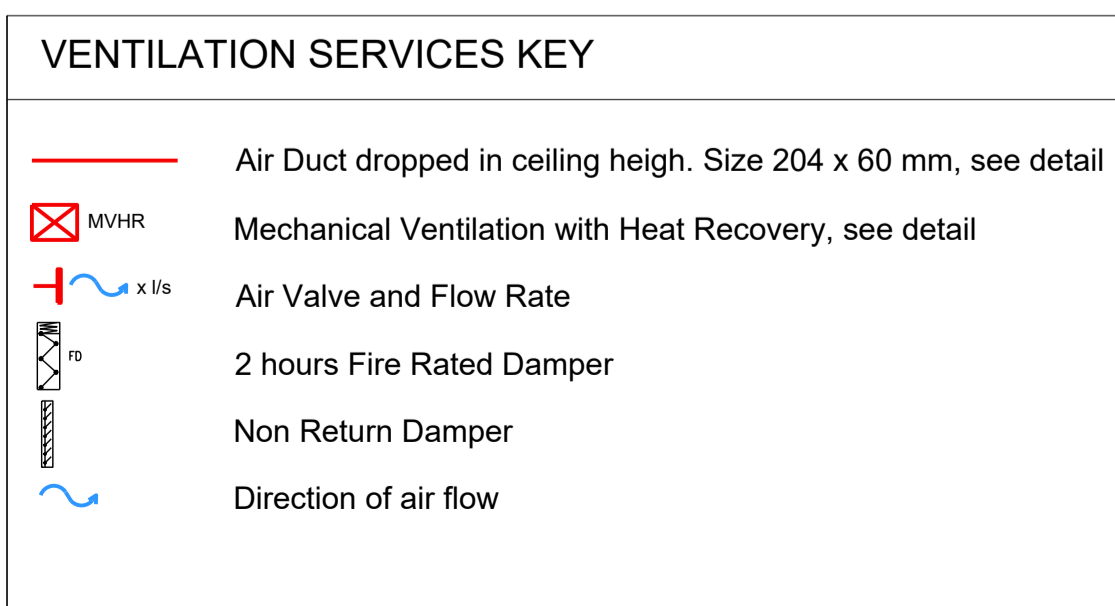
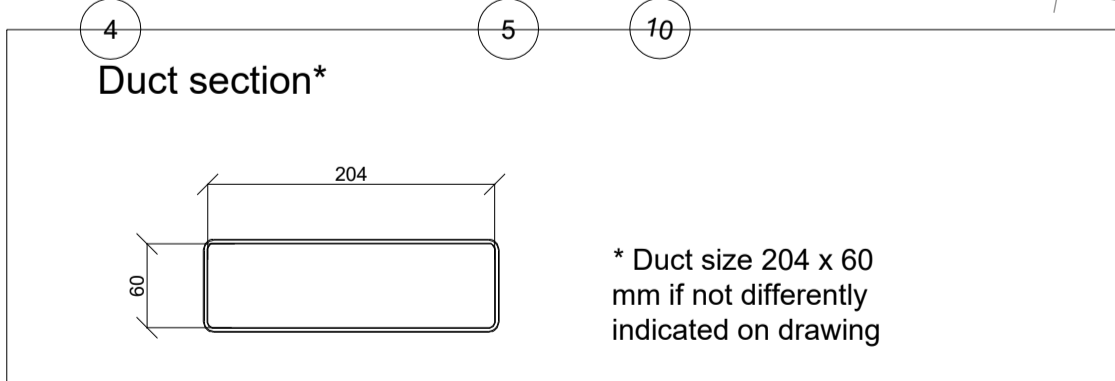
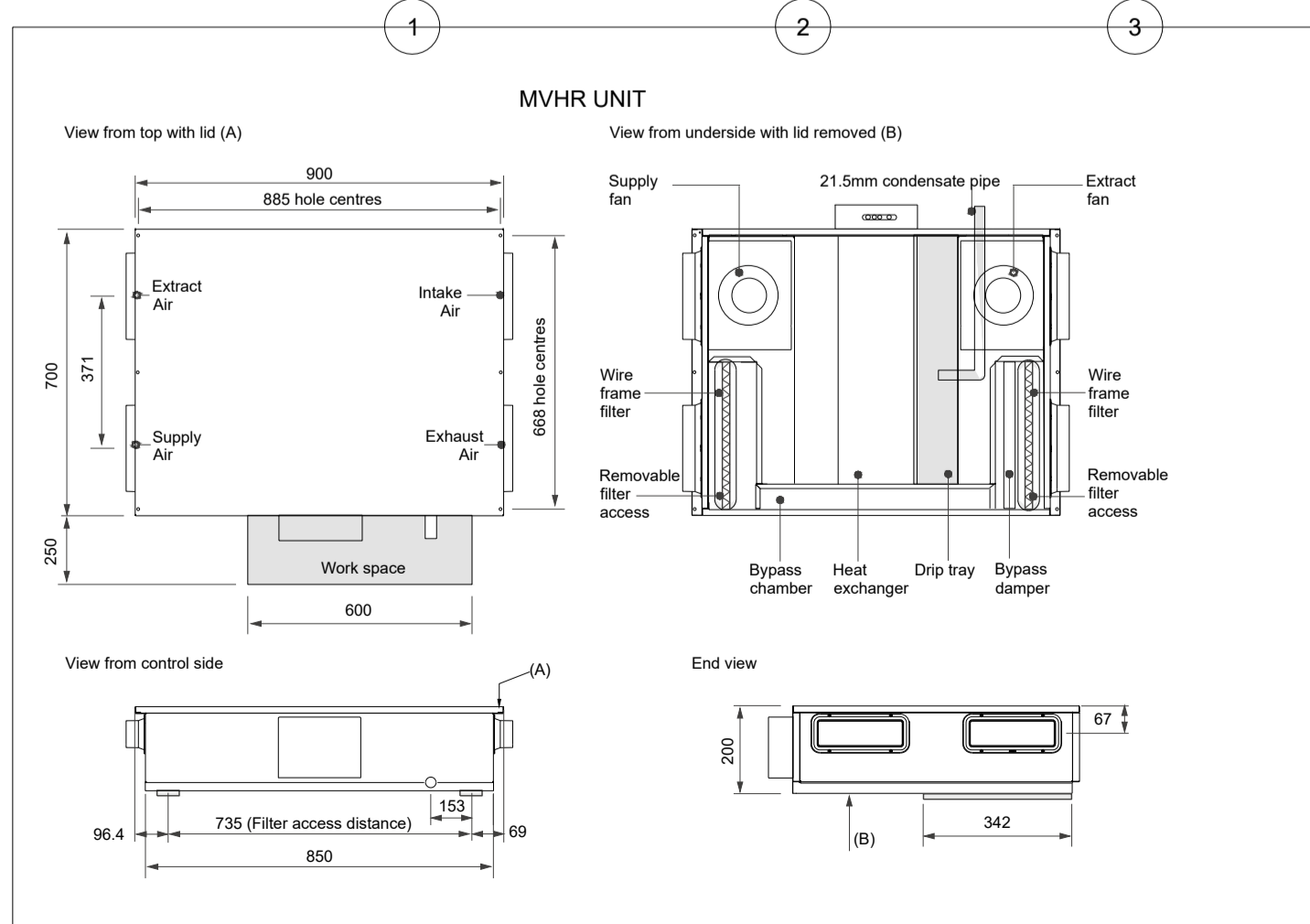
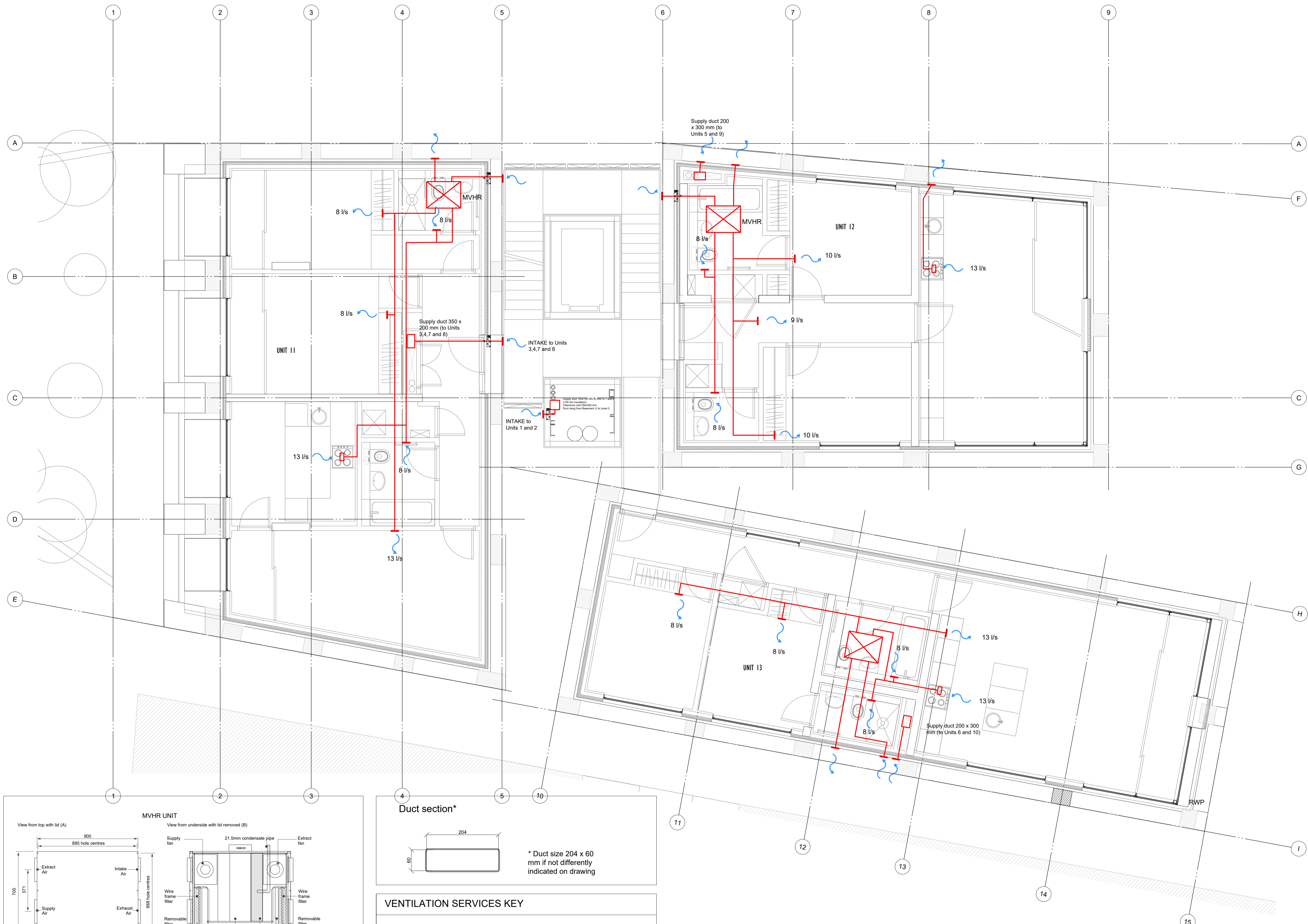
Drawing Status **Information**

Drawn by	Checked by	Sheet size	Scale	Rev status
ES	PD	A1	1:50	S9

Drawing Number **J2680-M-DR-540** Revision **00**

Notes

1. Do not scale the drawing
2. All dimensions are in millimetres unless noted otherwise
3. Any discrepancies between structural and architectural setting out dimensions must be brought to the attention of the Architect and Engineers



00	18.04.18	Issued for Information	ES	PD
Rev	Date	Description	Dm App	

WEBB YATES ENGINEERS
 48-50 Scrutton Street
 London EC2A 4HH
 020 3696 1550
 www.webbyates.co.uk
 info@webbyates.co.uk

Project **317 Finchley Road**

Drawing Title **Ventilation Layout Level 03**

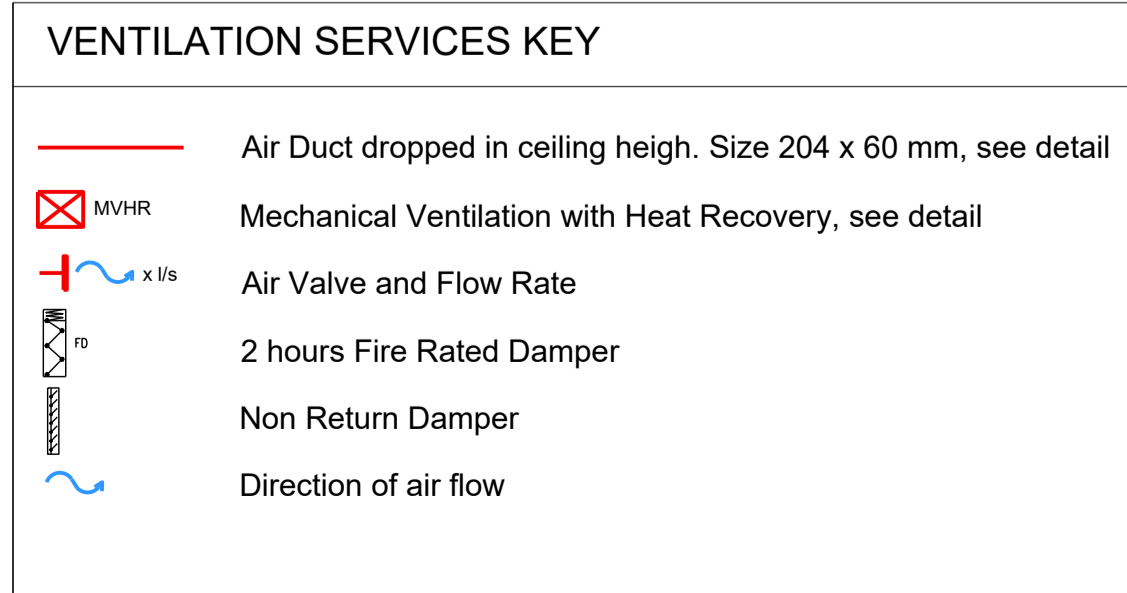
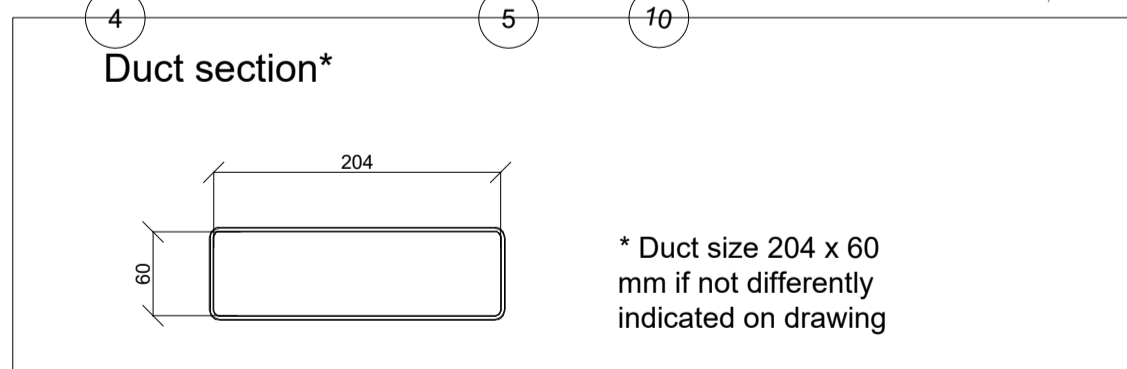
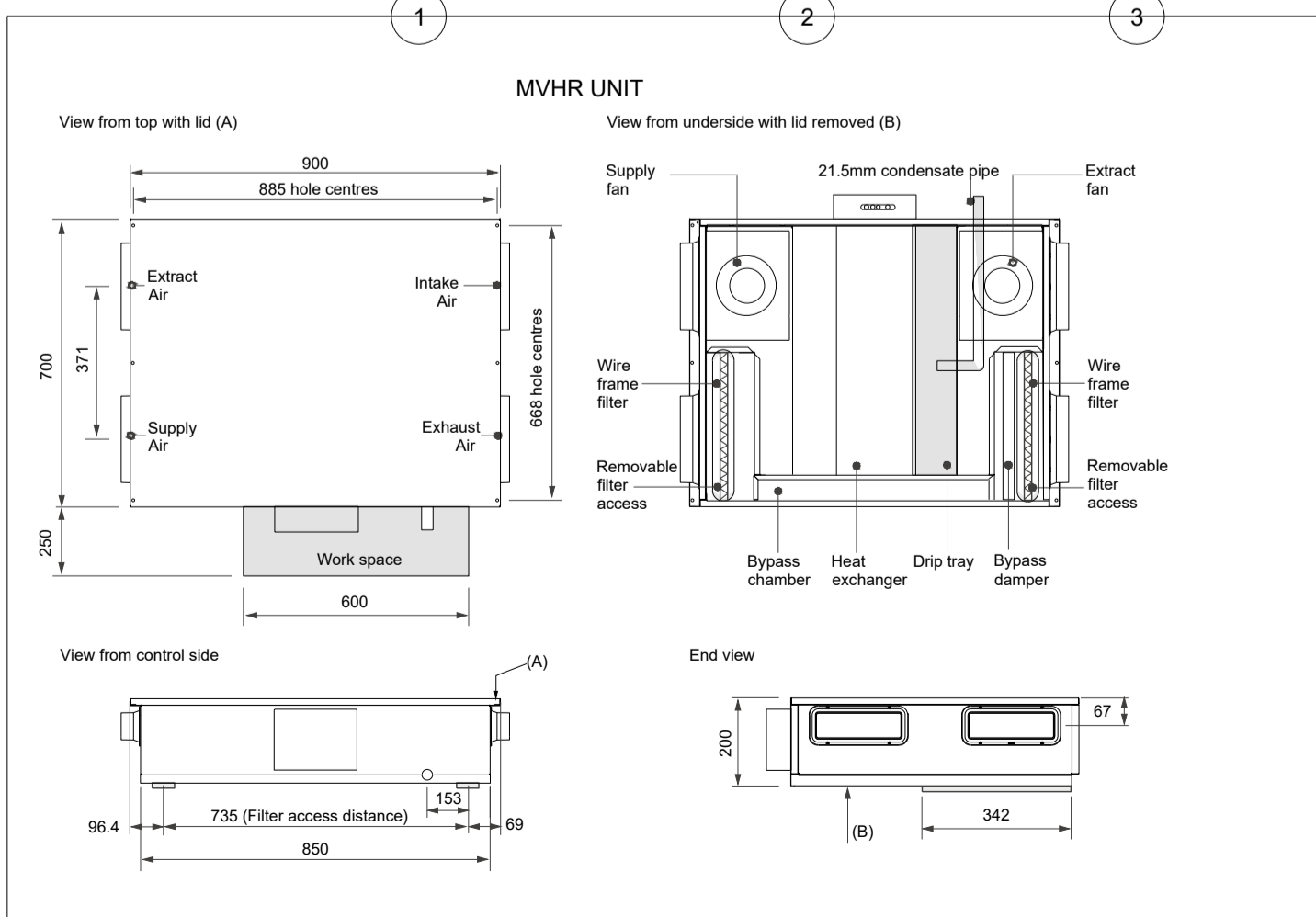
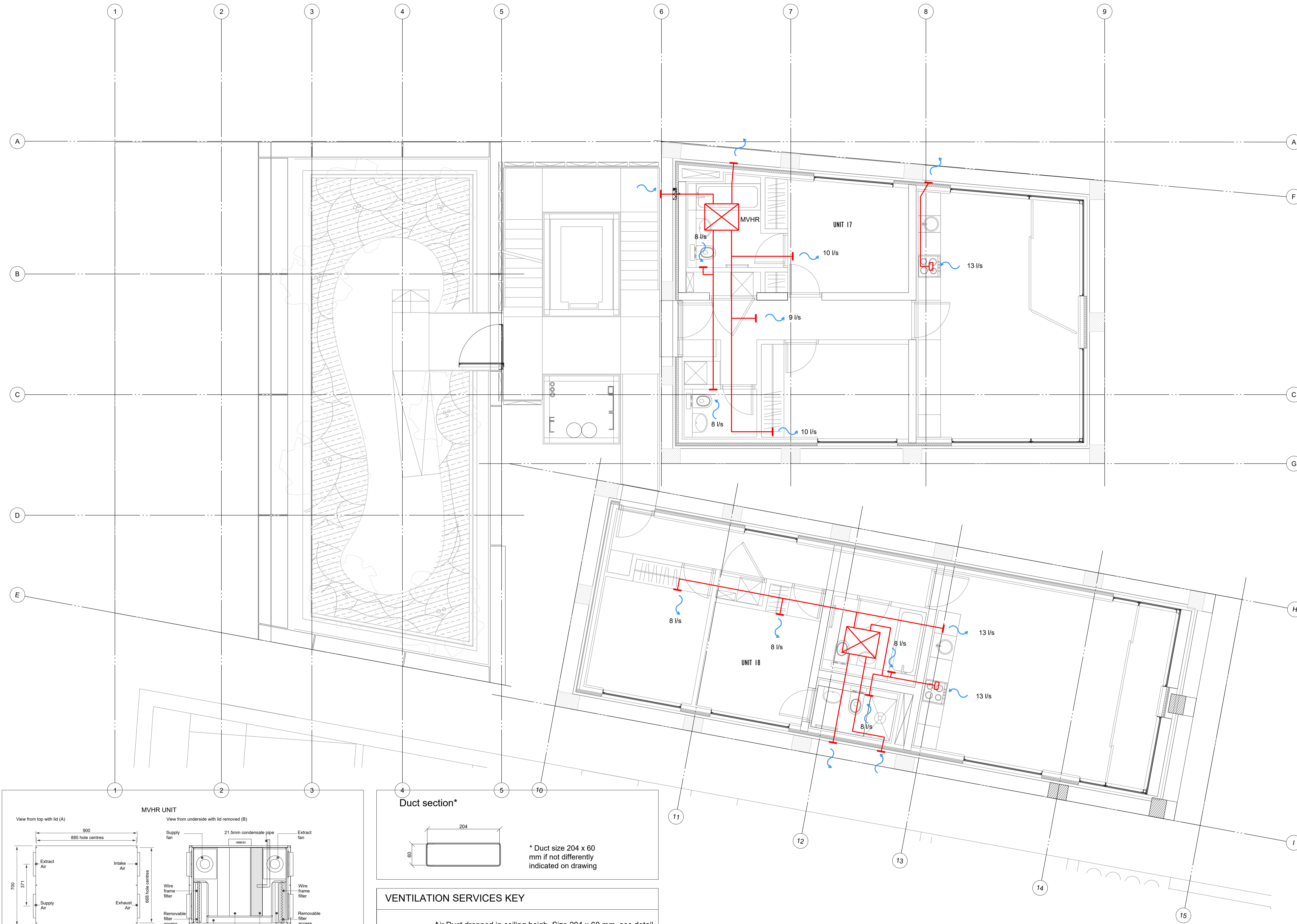
Drawing Status **Information**

Drawn by	Checked by	Sheet size	Scale	Rev status
ES	PD	A1	1:50	S9

Drawing Number	Revision
J2680-M-DR-550	00

Notes

1. Do not scale the drawing
2. All dimensions are in millimetres unless noted otherwise
3. Any discrepancies between structural and architectural setting out dimensions must be brought to the attention of the Architect and Engineers



Rev	Date	Description	ES	PD
00	20.04.18	Issued for Information	ES	PD

WEBB YATES ENGINEERS
 48-50 Scrutton Street
 London EC2A 4HH
 020 3696 1550
 www.webbyates.co.uk
 info@webbyates.co.uk

Project **317 Finchley Road**

Drawing Title **Ventilation Layout Level 05**

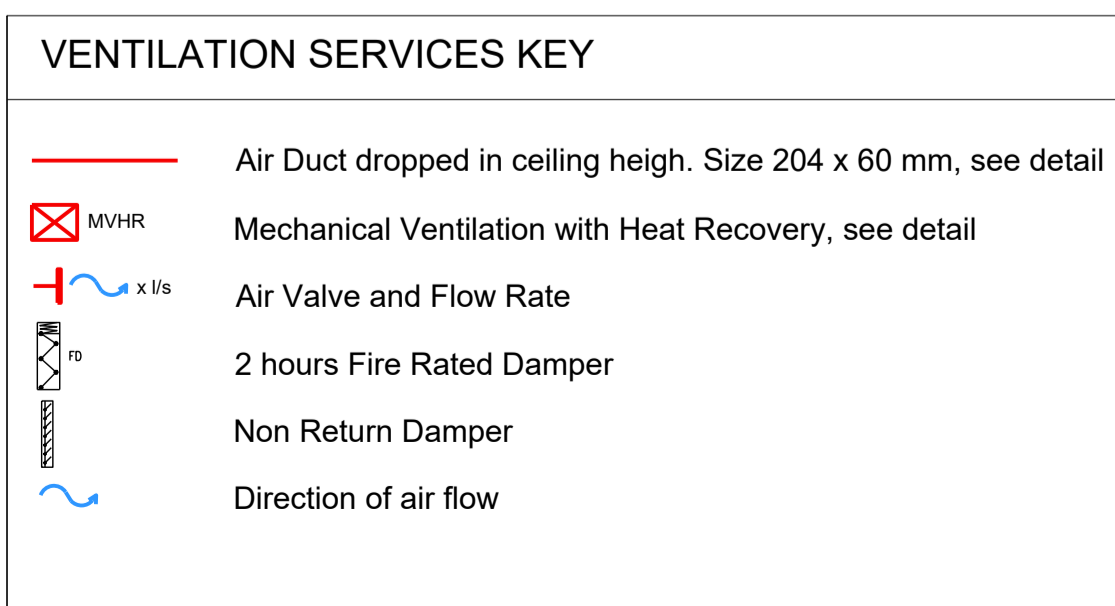
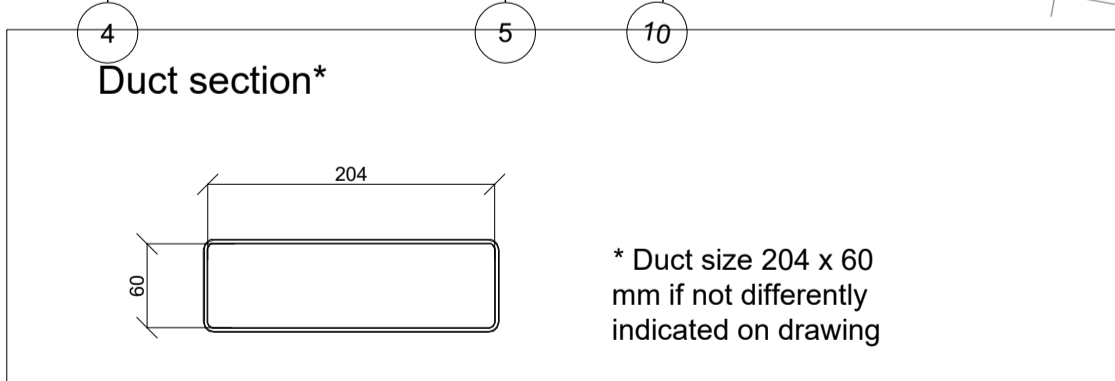
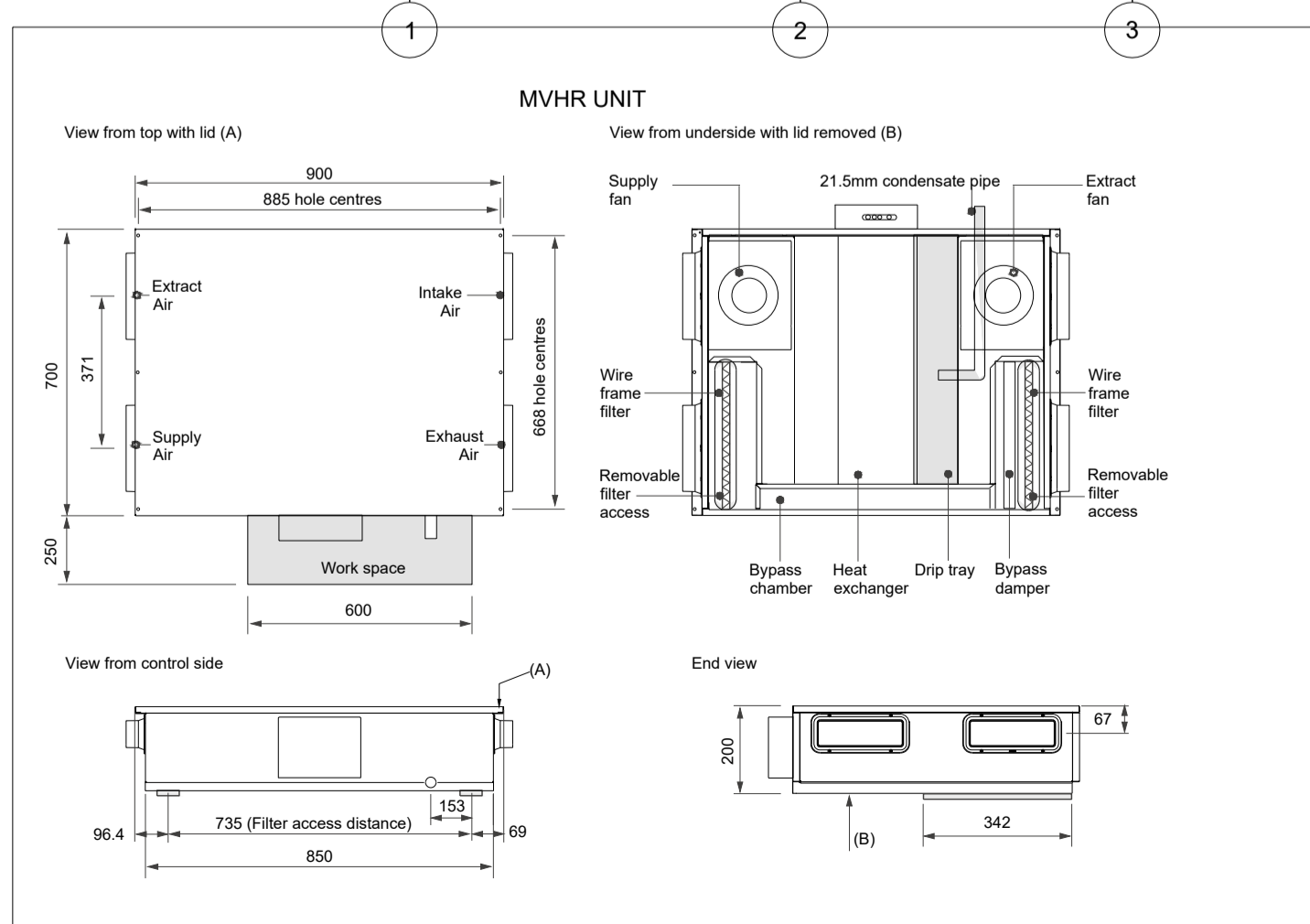
Drawing Status **Information**

Drawn by	Checked by	Sheet size	Scale	Rev status
ES	PD	A1	1:50	S9

Drawing Number	Revision
J2680-M-DR-570	00

Notes

1. Do not scale the drawing
2. All dimensions are in millimetres unless noted otherwise
3. Any discrepancies between structural and architectural setting out dimensions must be brought to the attention of the Architect and Engineers



00	20.04.18	Issued for Information	ES	PD
Rev	Date	Description	Dm App	

WEBB YATES ENGINEERS
 48-50 Scrutton Street
 London EC2A 4HH
 020 3696 1550
 www.webbyates.co.uk
 info@webbyates.co.uk

Project **317 Finchley Road**

Drawing Title **Ventilation Layout Level 07**

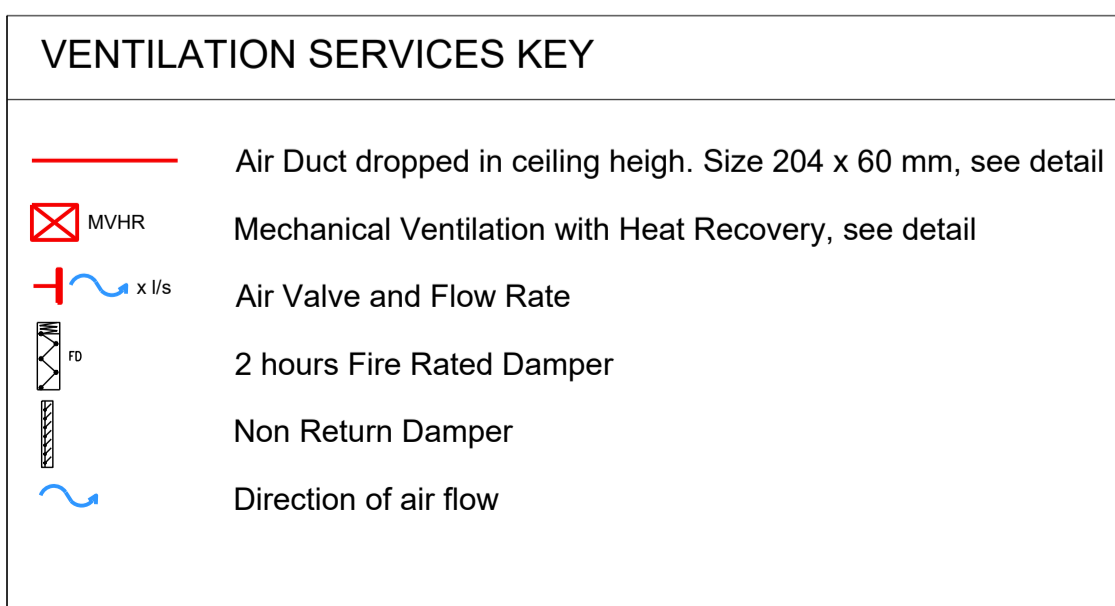
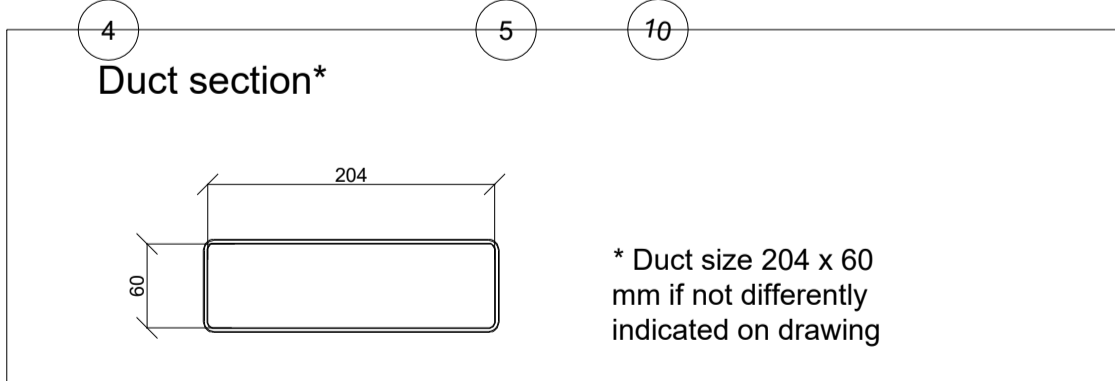
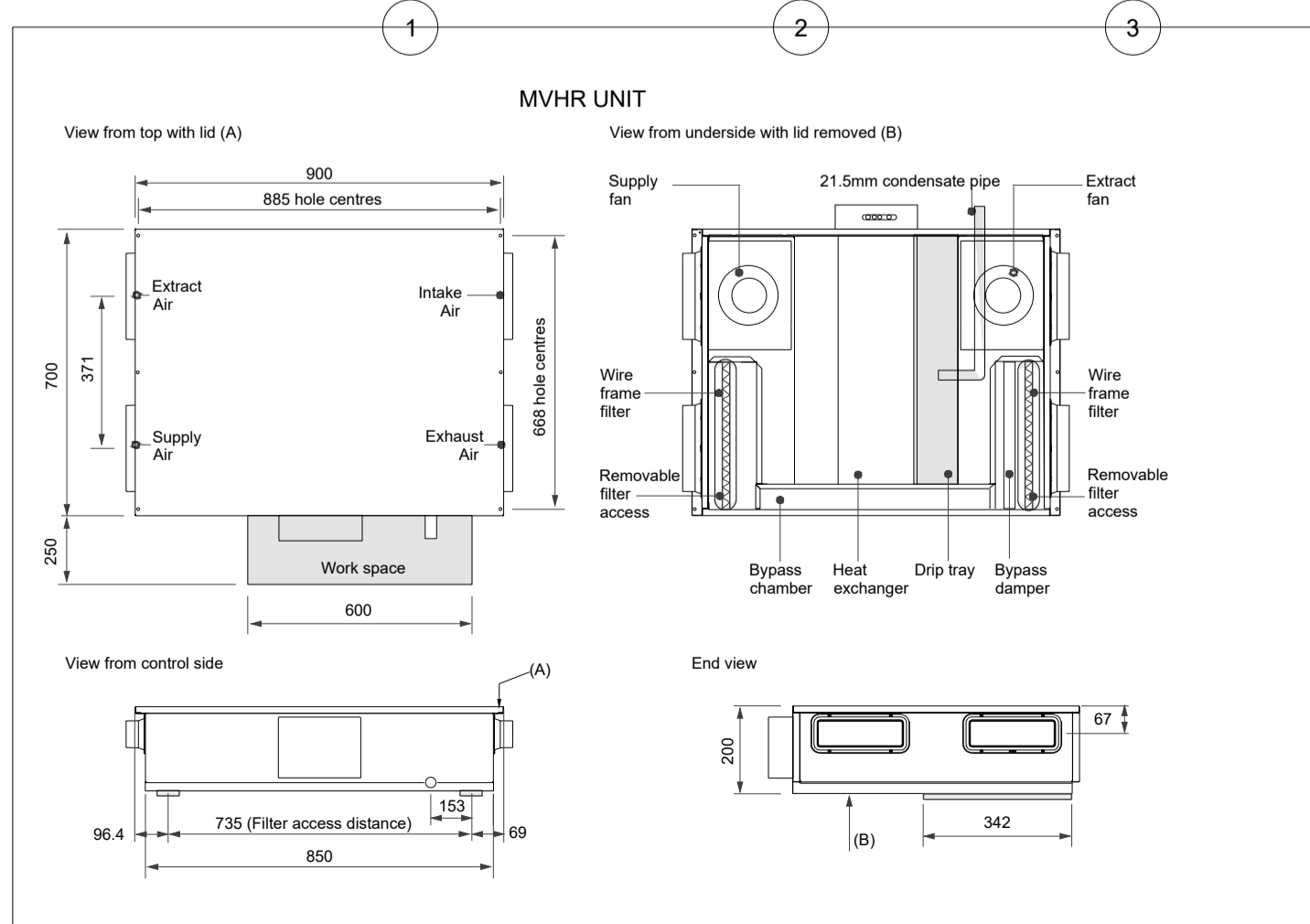
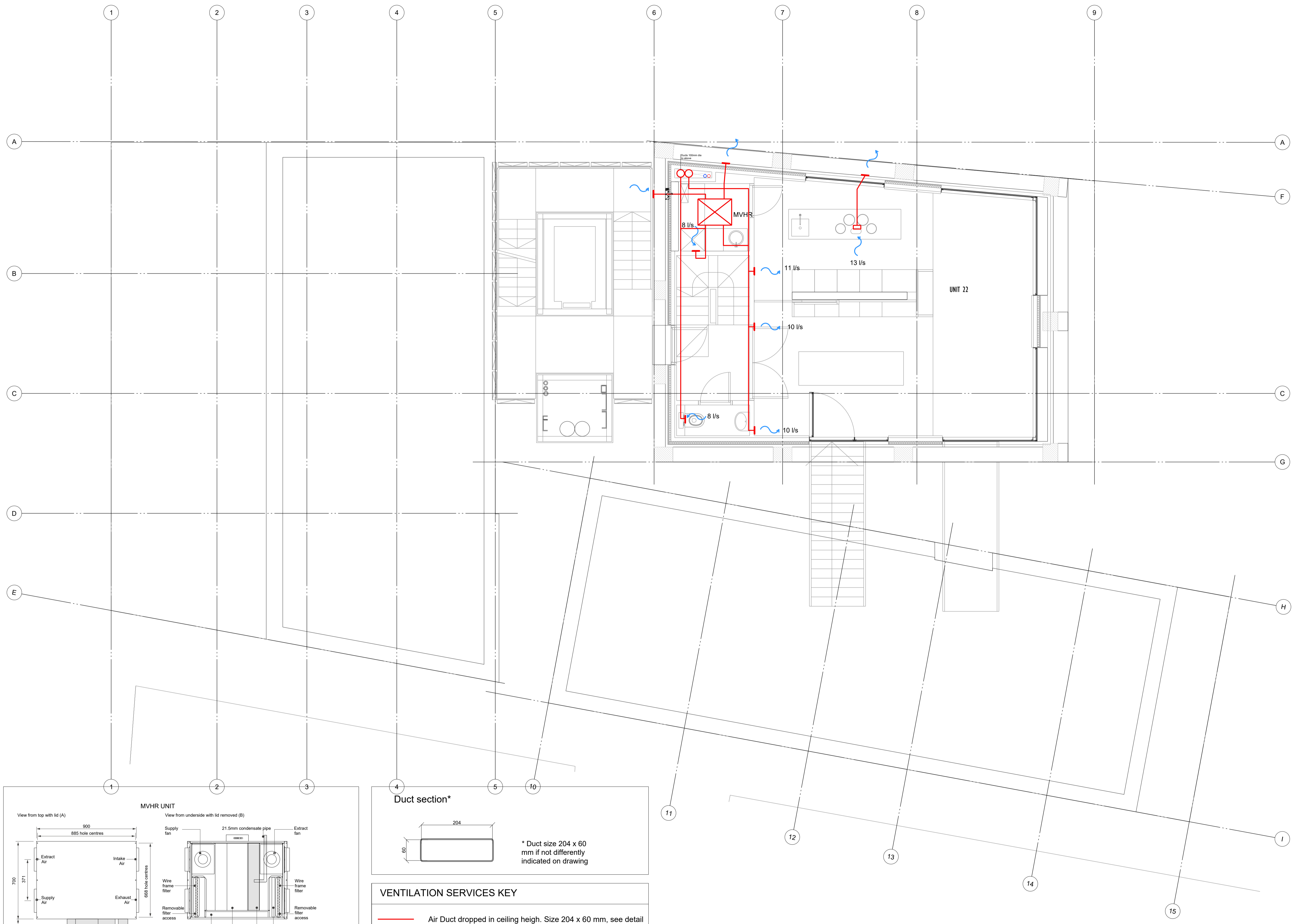
Drawing Status **Information**

Drawn by	Checked by	Sheet size	Scale	Rev status
ES	PD	A1	1:50	S9

Drawing Number **J2680-M-DR-590** Revision **00**

Notes

1. Do not scale the drawing
2. All dimensions are in millimetres unless noted otherwise
3. Any discrepancies between structural and architectural setting out dimensions must be brought to the attention of the Architect and Engineers



00	20.04.18	Issued for Information	ES	PD
Rev	Date	Description	Dm App	

WEBB YATES ENGINEERS
 48-50 Scrutton Street
 London EC2A 4HH
 020 3696 1550
 www.webbyates.co.uk
 info@webbyates.co.uk

Project **317 Finchley Road**

Drawing Title **Ventilation Layout Level 08**

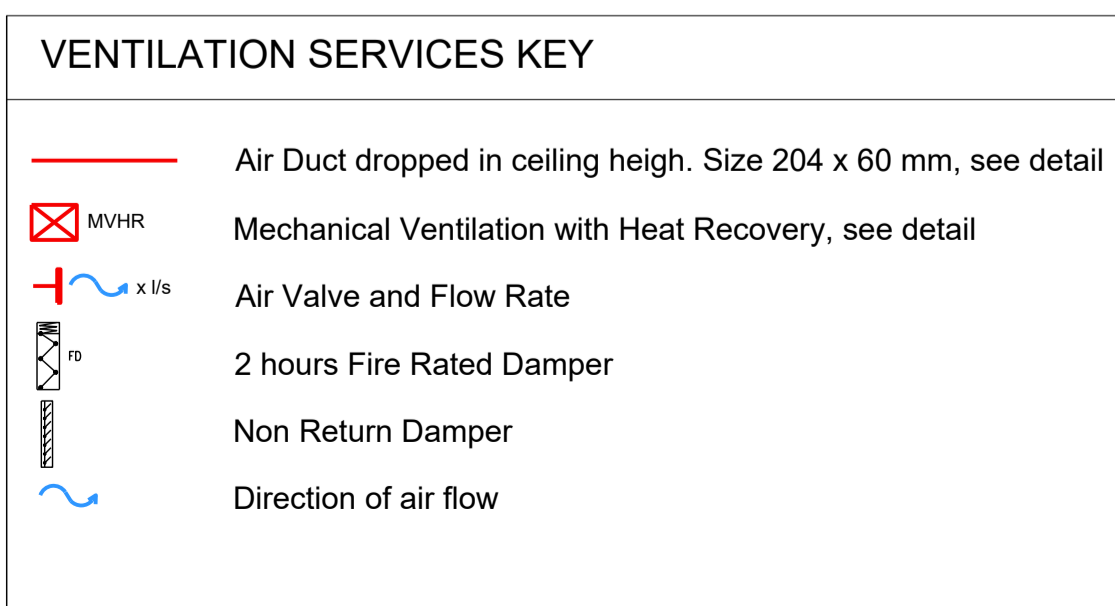
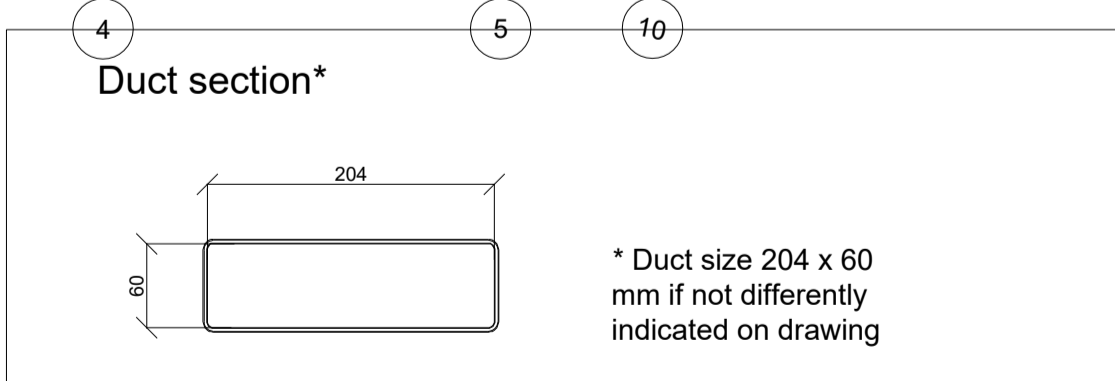
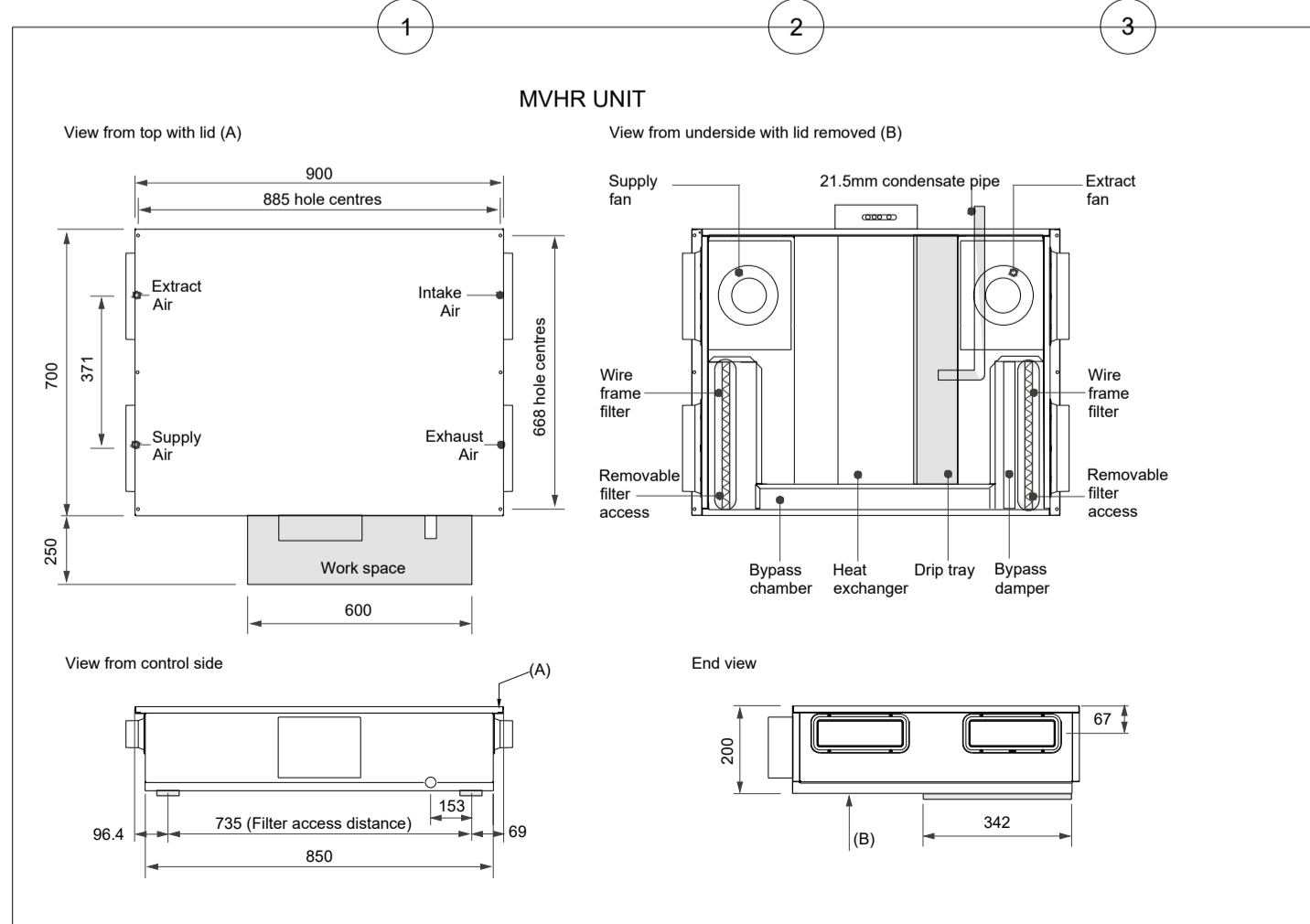
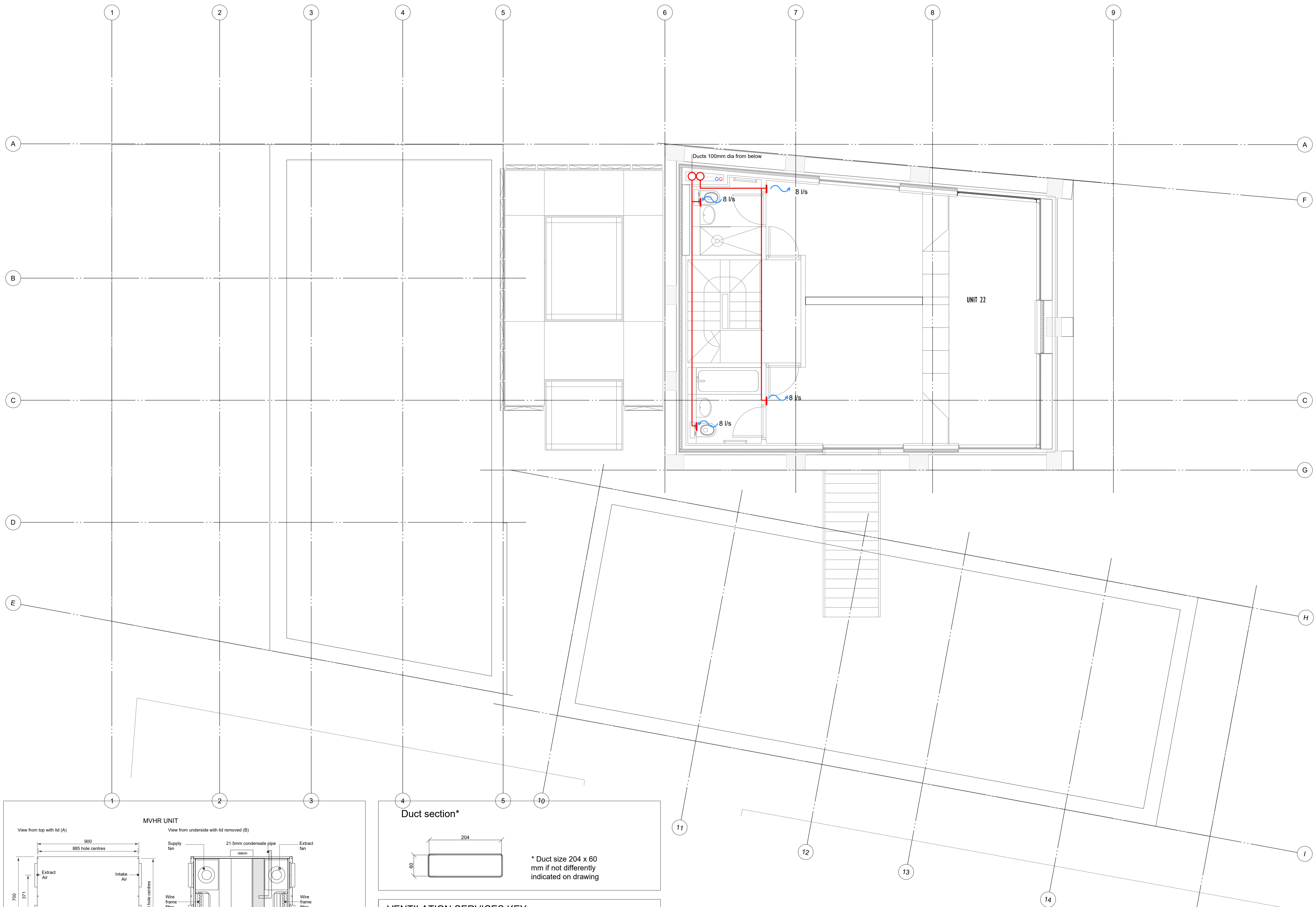
Drawing Status **Information**

Drawn by	Checked by	Sheet size	Scale	Rev status
ES	PD	A1	1:50	S9

Drawing Number	Revision
J2680-M-DR-600	00

Notes

1. Do not scale the drawing
2. All dimensions are in millimetres unless noted otherwise
3. Any discrepancies between structural and architectural setting out dimensions must be brought to the attention of the Architect and Engineers



Rev	Date	Description	Drm	App
00	20.04.18	Issued for Information	ES	PD

WEBB YATES ENGINEERS
 48-50 Scrutton Street
 London EC2A 4HH
 020 3696 1550
 www.webbyates.co.uk
 info@webbyates.co.uk

Project **317 Finchley Road**

Drawing Title **Ventilation Layout Level 09**

Information

Drawn by	Checked by	Sheet size	Scale	Rev status
ES	PD	A1	1:50	S9

Drawing Number	Revision
J2680-M-DR-610	00