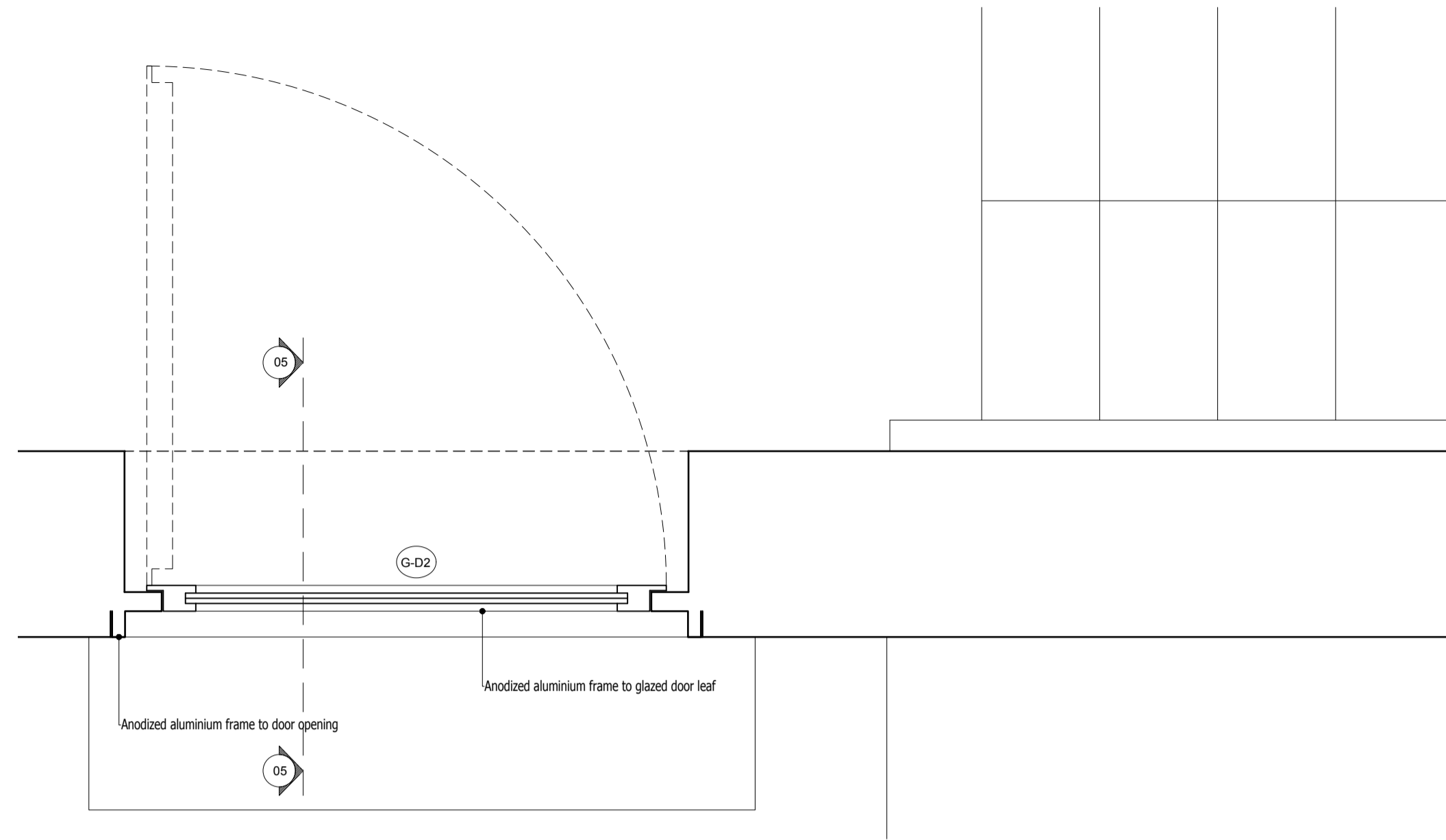
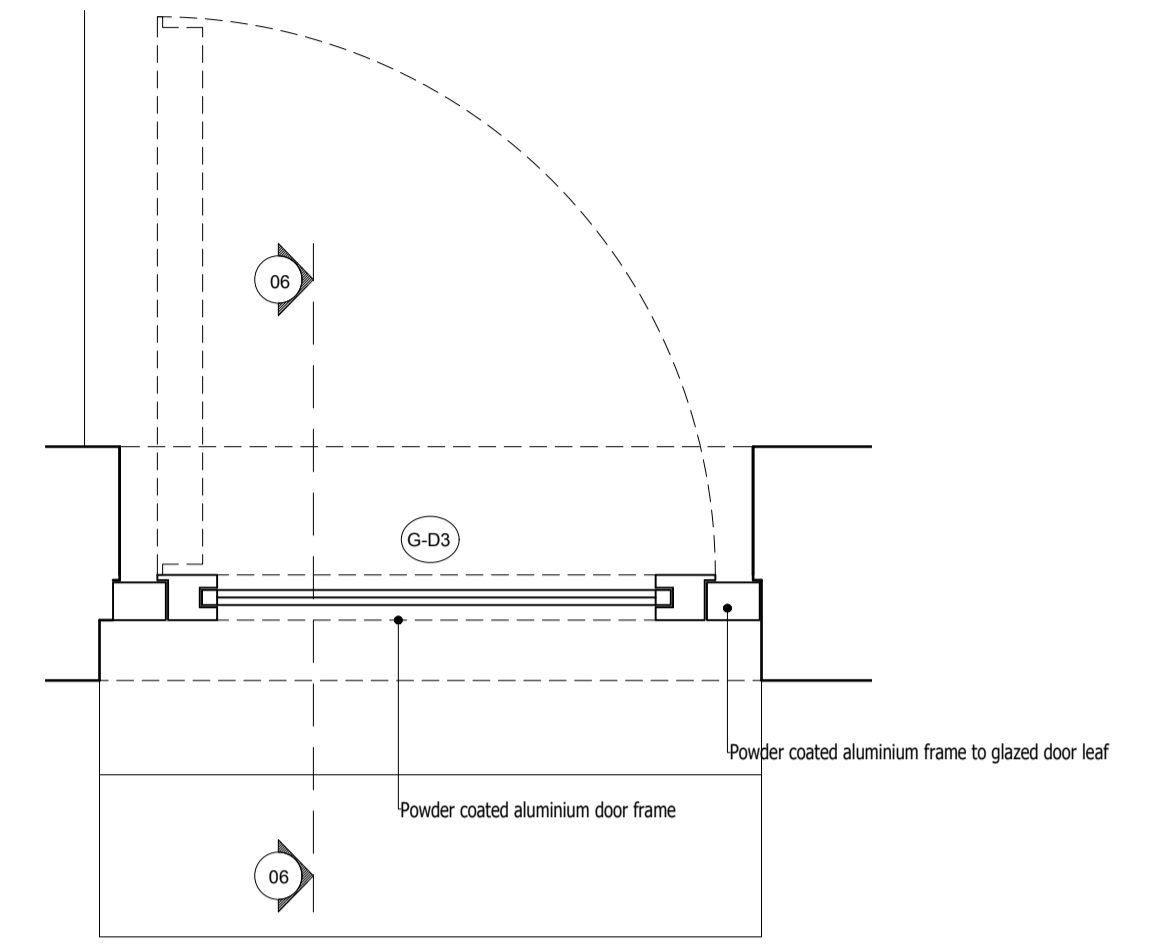


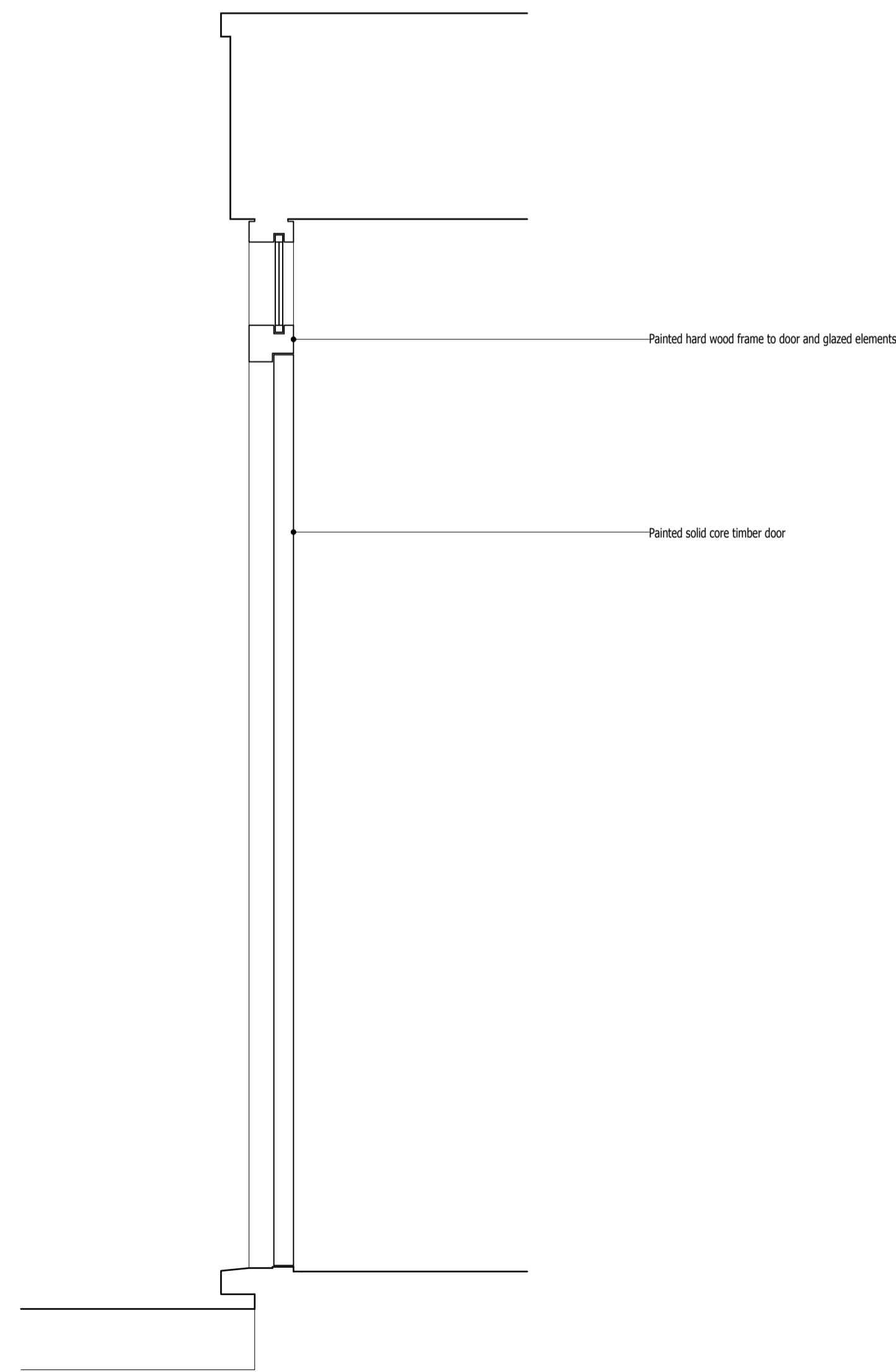
01 Existing Ground Floor Door G-D01 and Window G-W1 Plan
scale 1:10 @ A1



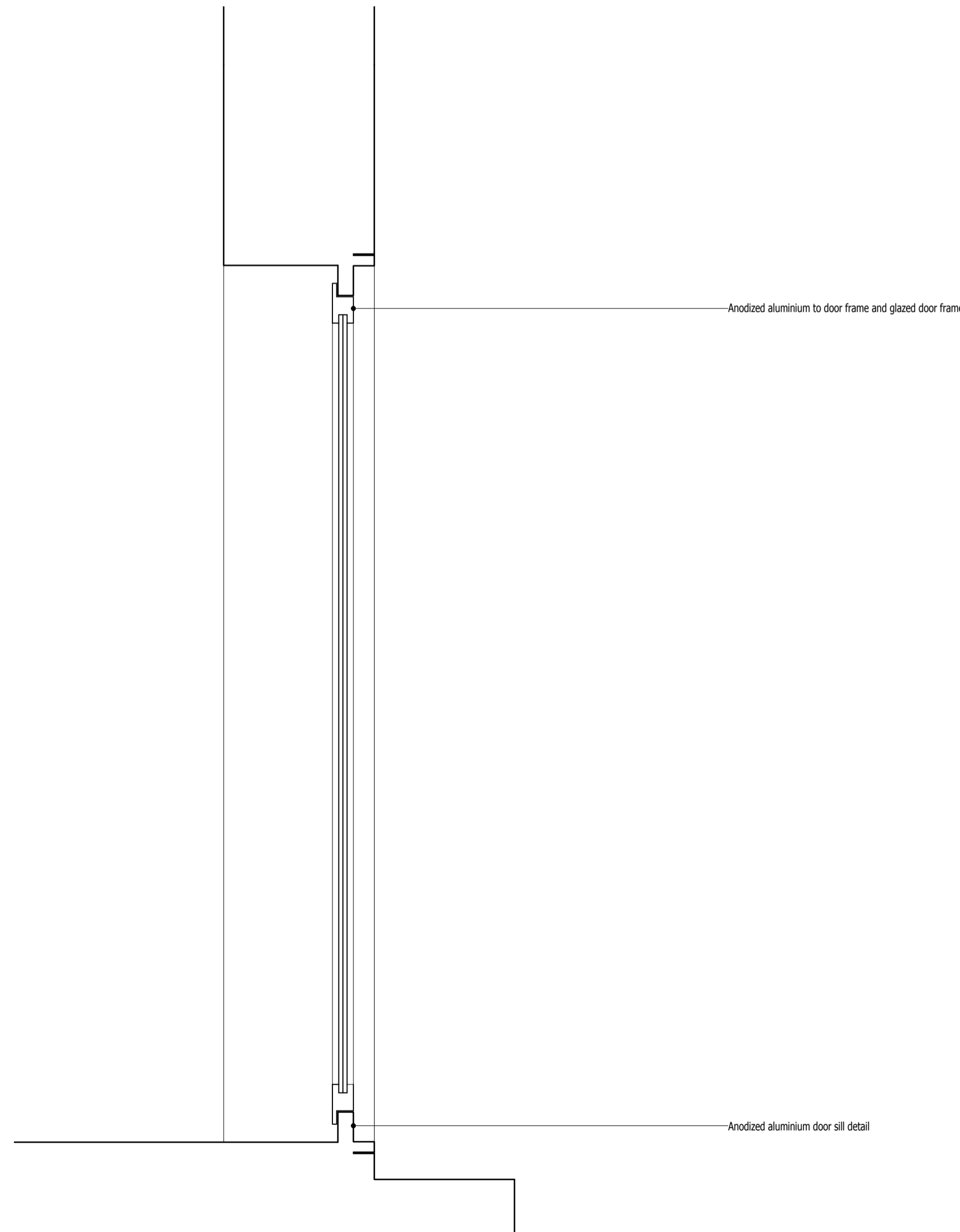
02 Existing Ground Floor Door G-D02
scale 1:10 @ A1



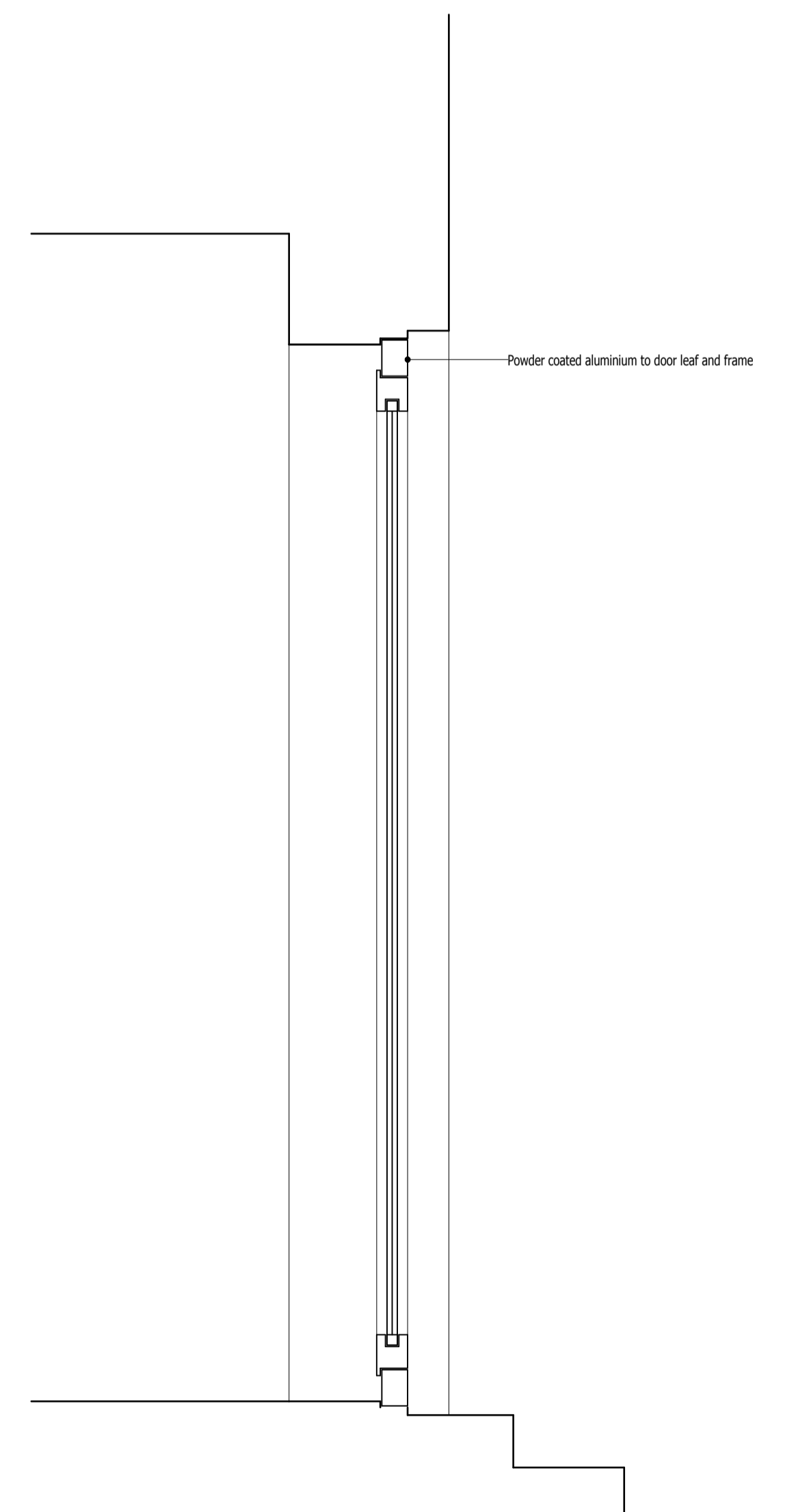
03 Existing Ground Floor Door G-D03 Plan
scale 1:10 @ A1



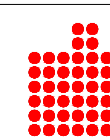
04 Existing Ground Floor Door G-D01 Section
scale 1:10 @ A1

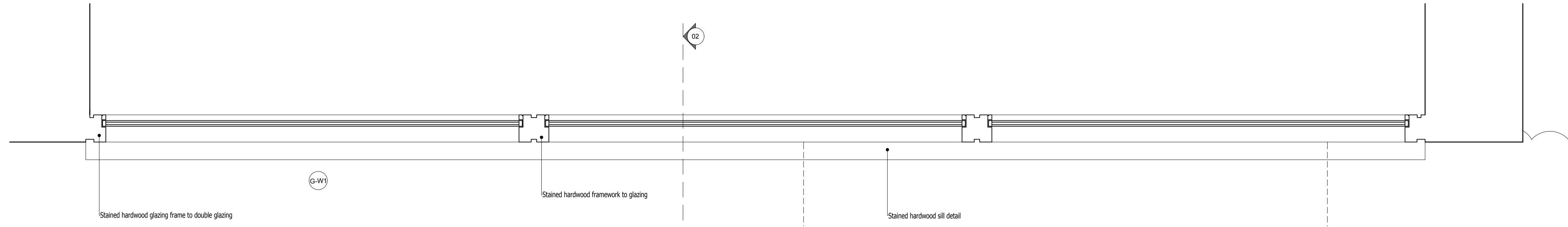
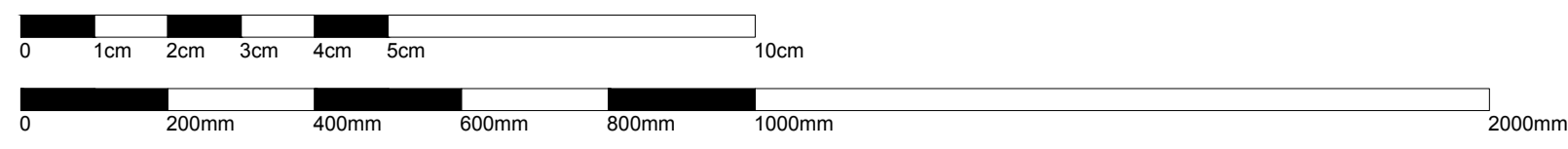


05 Existing Ground Floor Door G-D02 Section
scale 1:10 @ A1

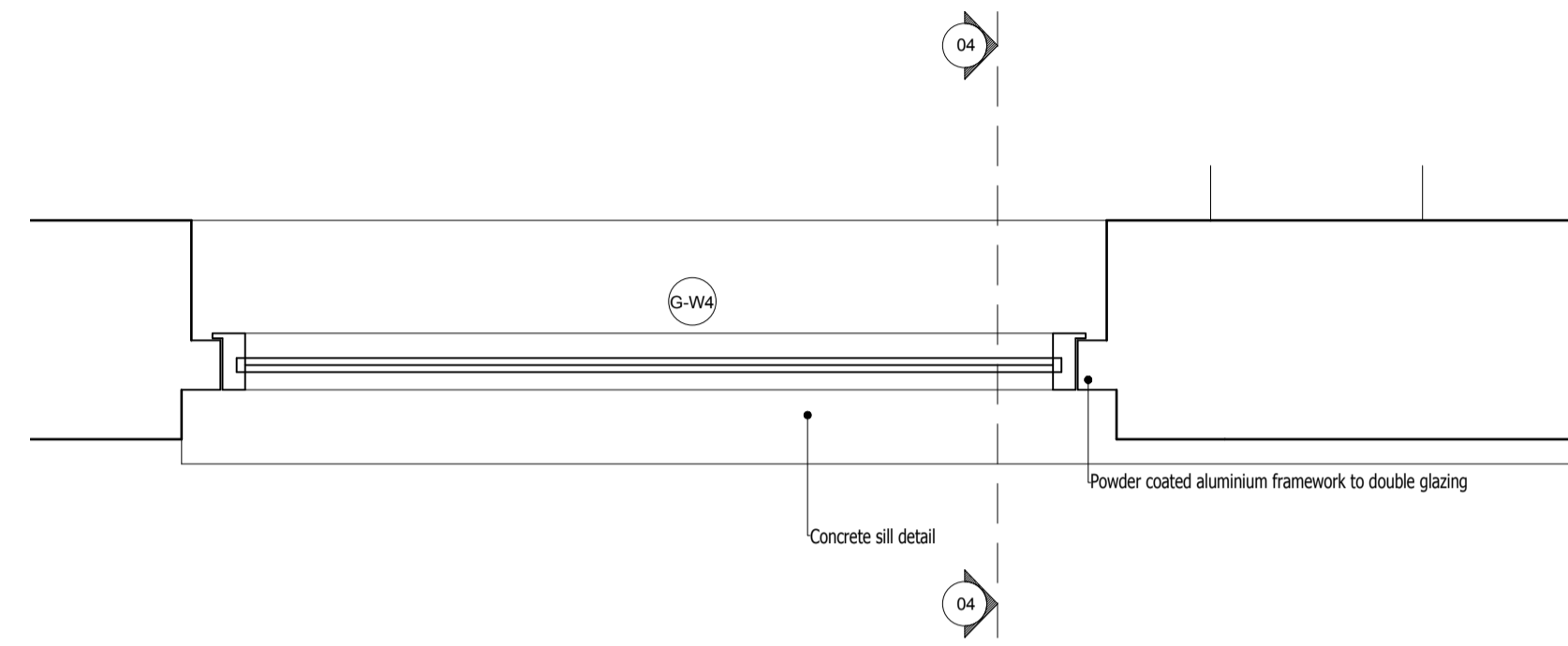


06 Existing Ground Floor Door G-D03 Section
scale 1:10 @ A1

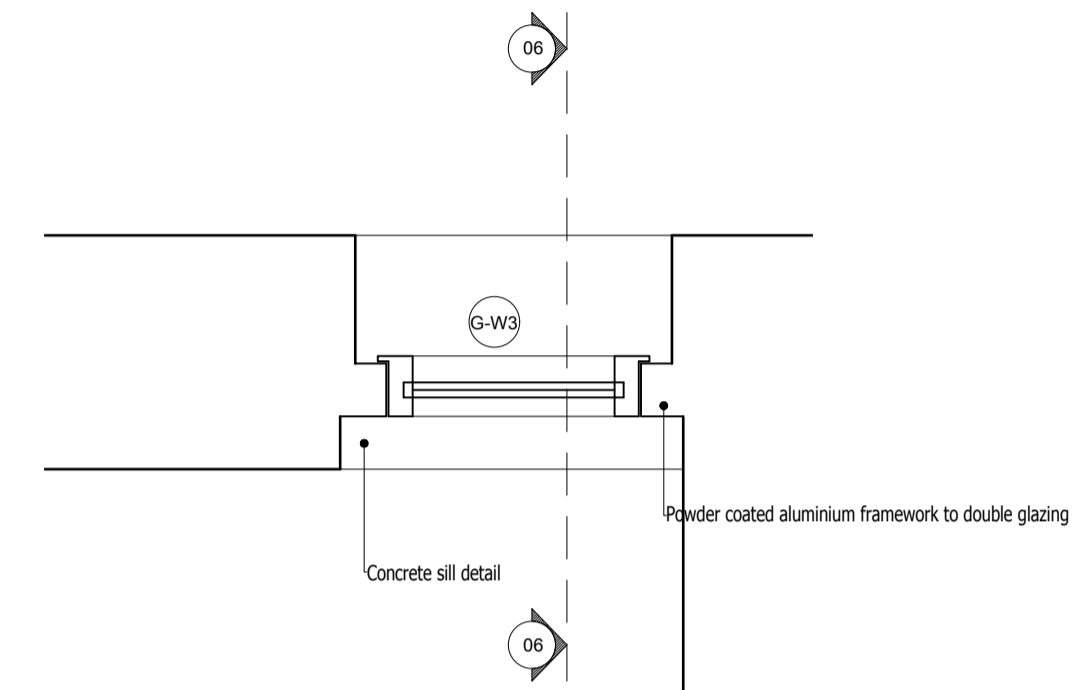




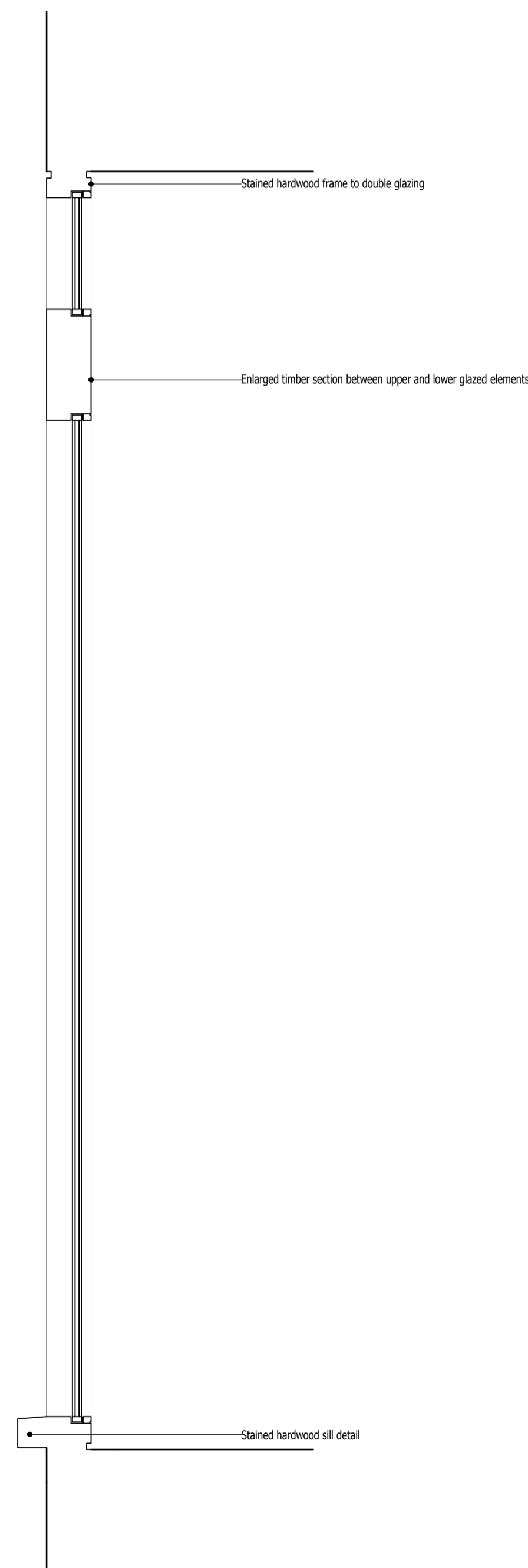
01 Existing Ground Floor Window G-W1 Plan
scale 1:10 @ A1



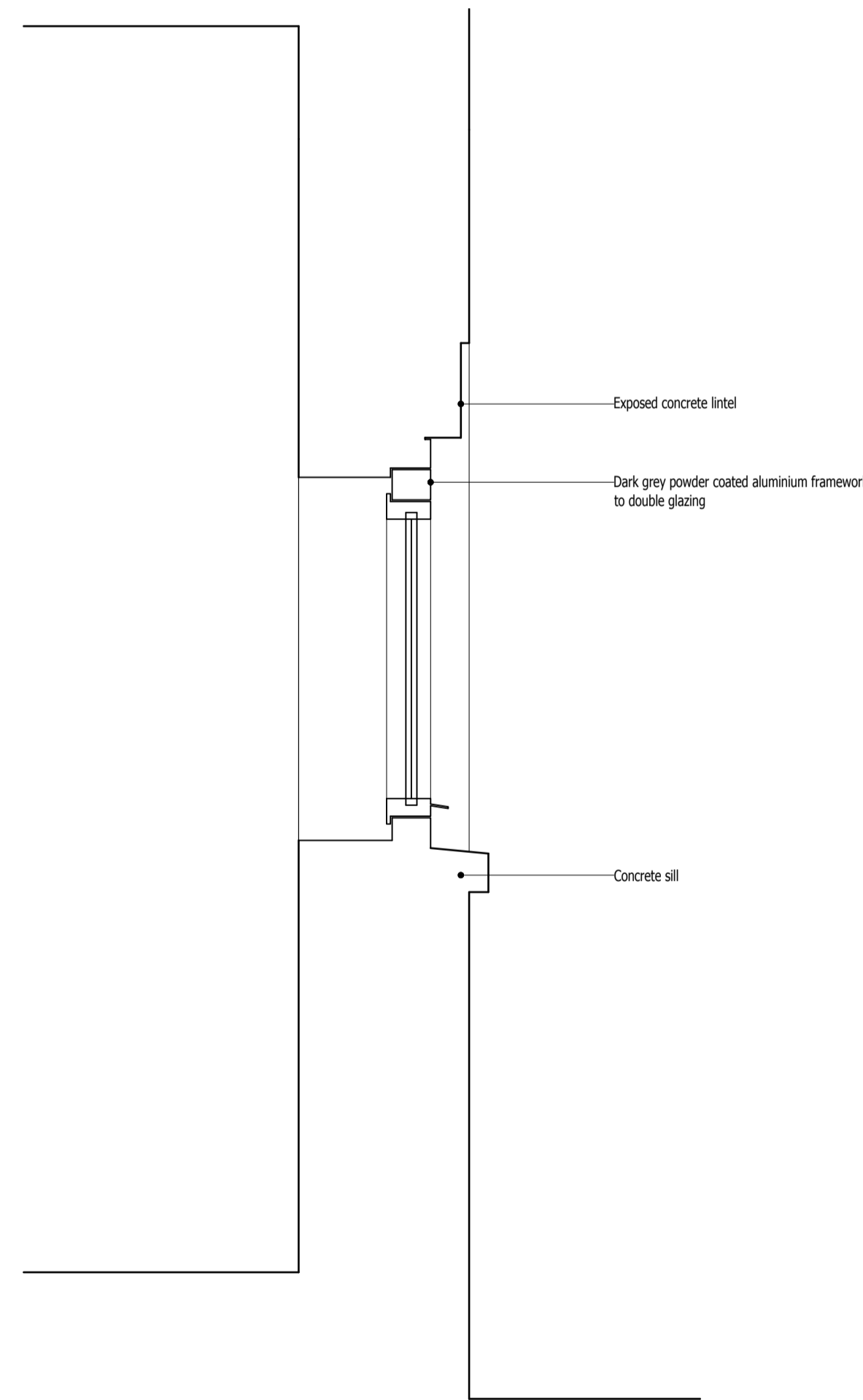
03 Existing Ground Floor Window G-W4 Plan
scale 1:10 @ A1



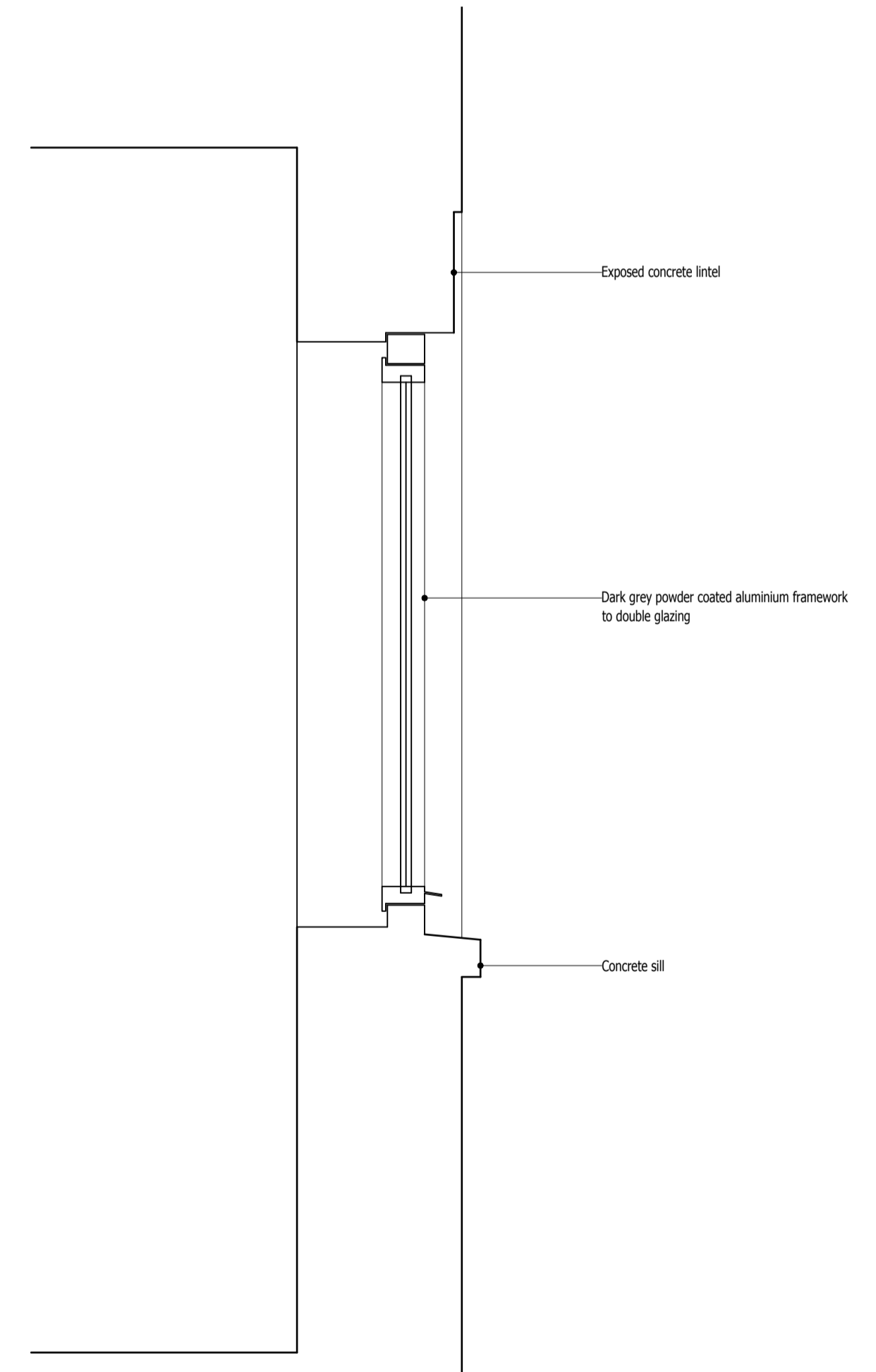
05 Existing Ground Floor Window G-W3 Plan
scale 1:10 @ A1



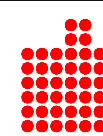
02 Existing Ground Floor Window G-W1 Section
scale 1:10 @ A1

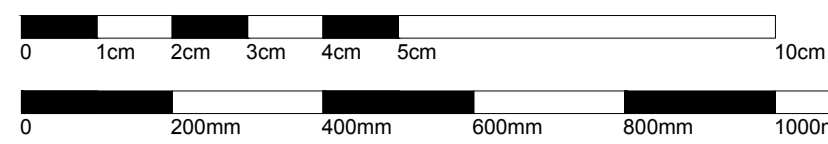


04 Existing Ground Floor Window G-W4 Section
scale 1:10 @ A1



06 Existing Ground Floor Window G-W3 Section
scale 1:10 @ A1

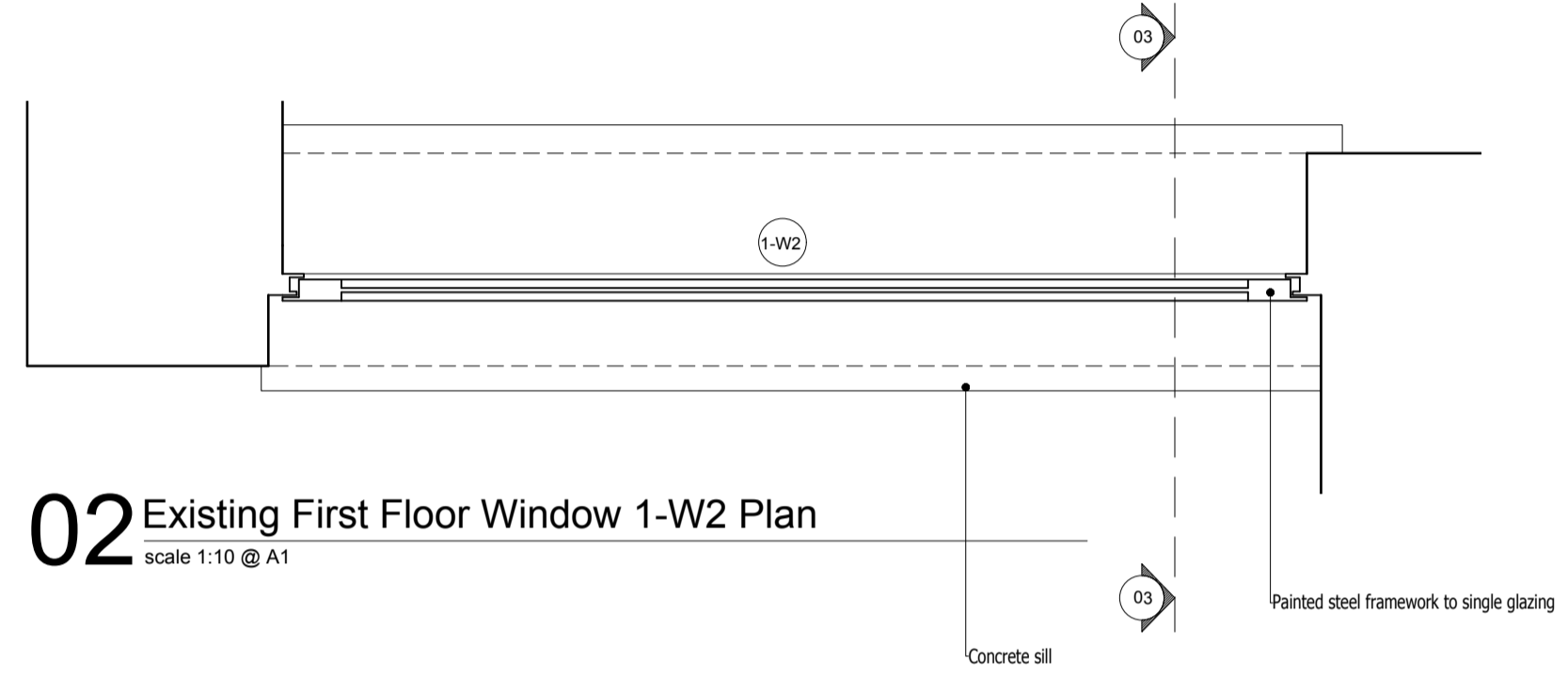




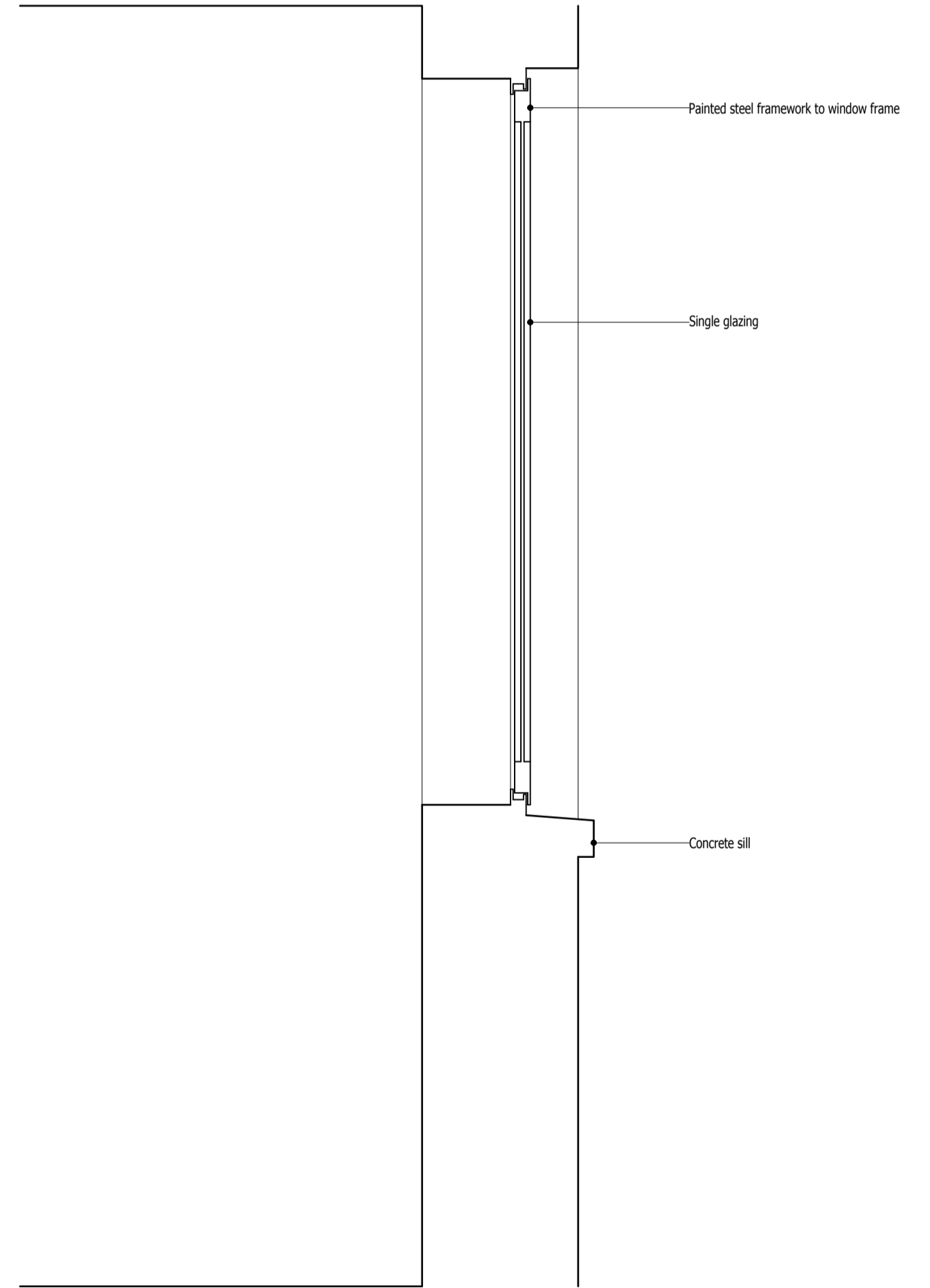
01 Existing First Floor Window 1-W1 and Door 1-D3 Plans
scale 1:10 @ A1



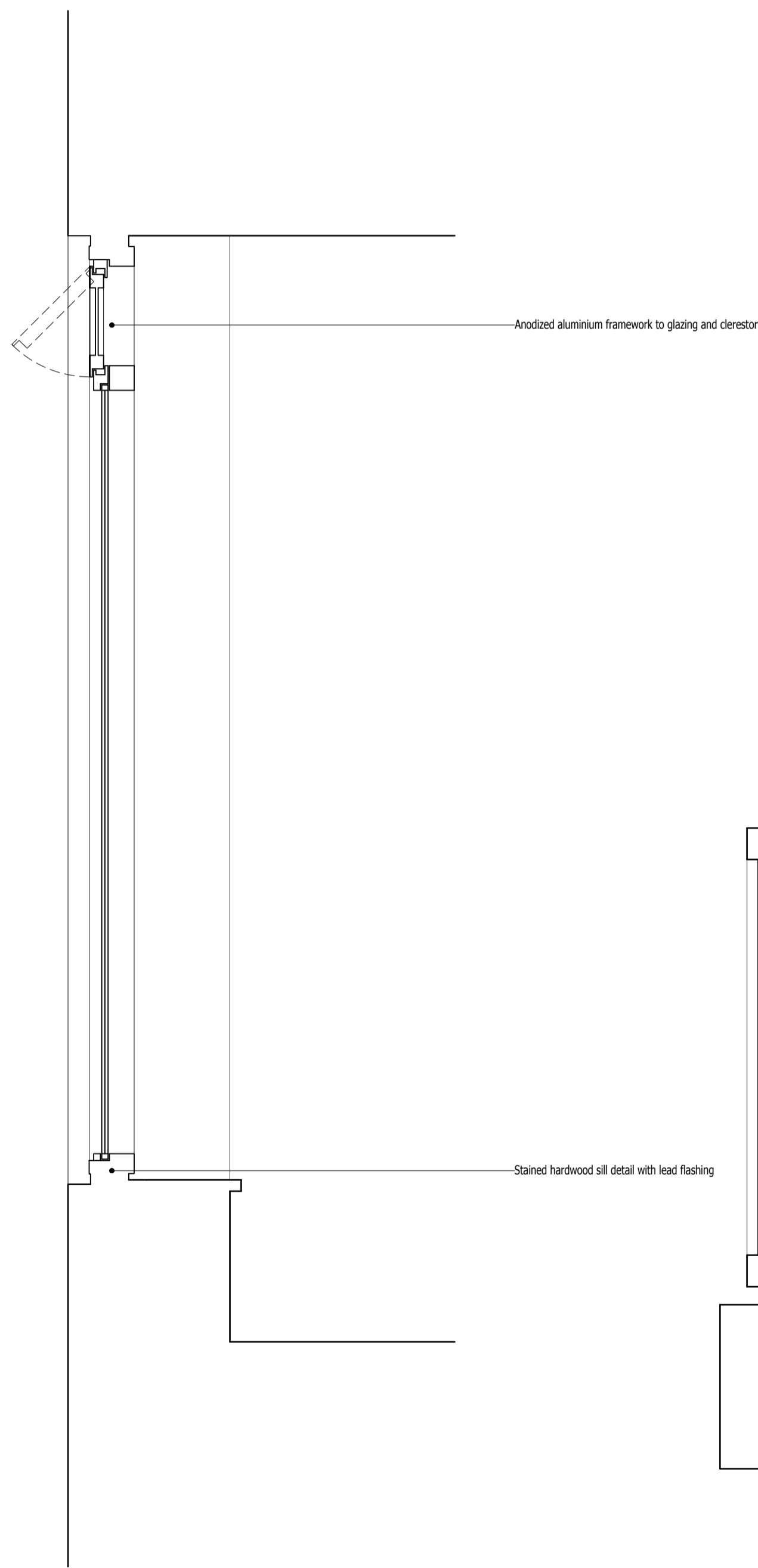
02 Existing First Floor Window 1-W2 Plan
scale 1:10 @ A1



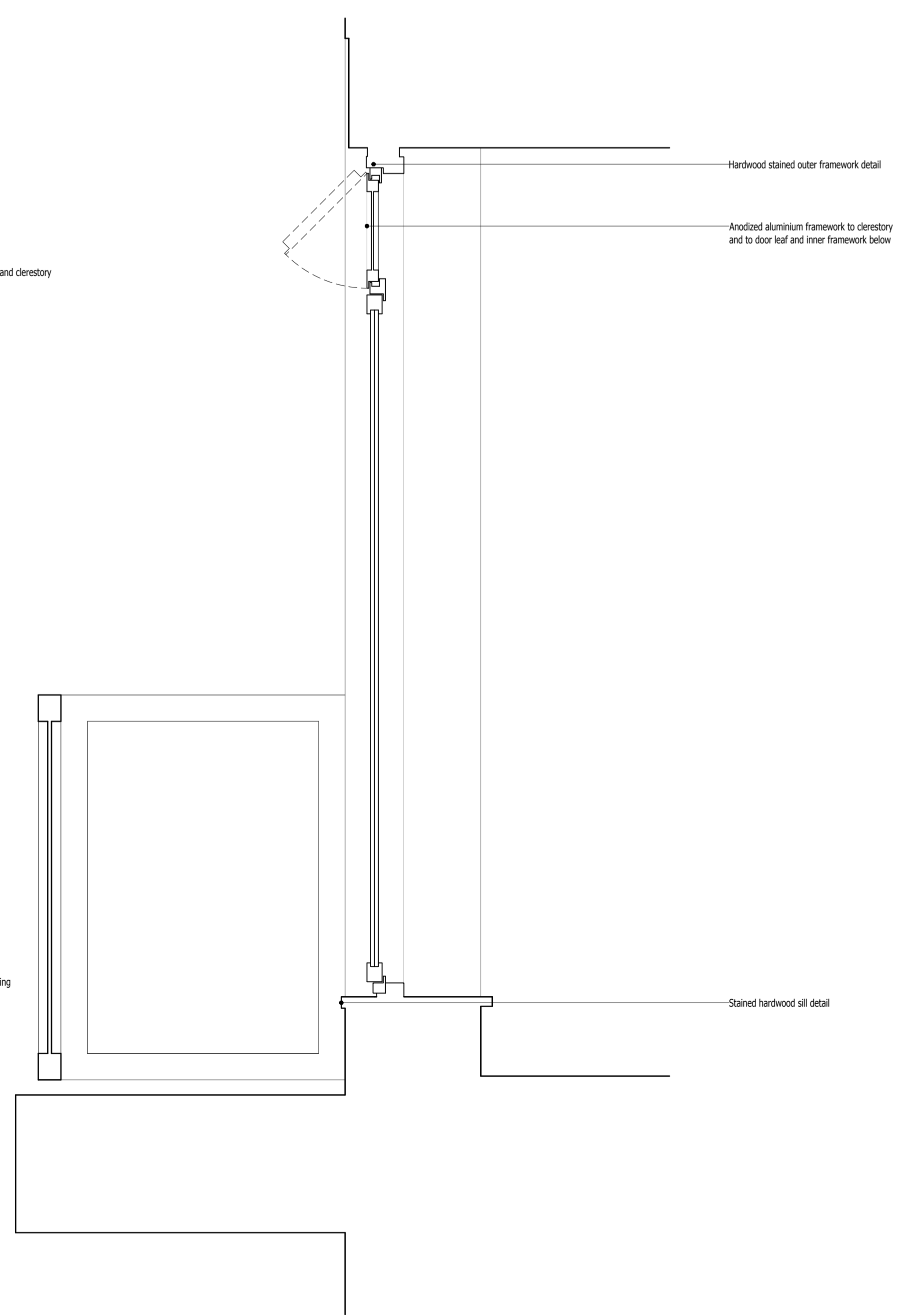
03 Existing First Floor Window 1-W2 Section
scale 1:10 @ A1

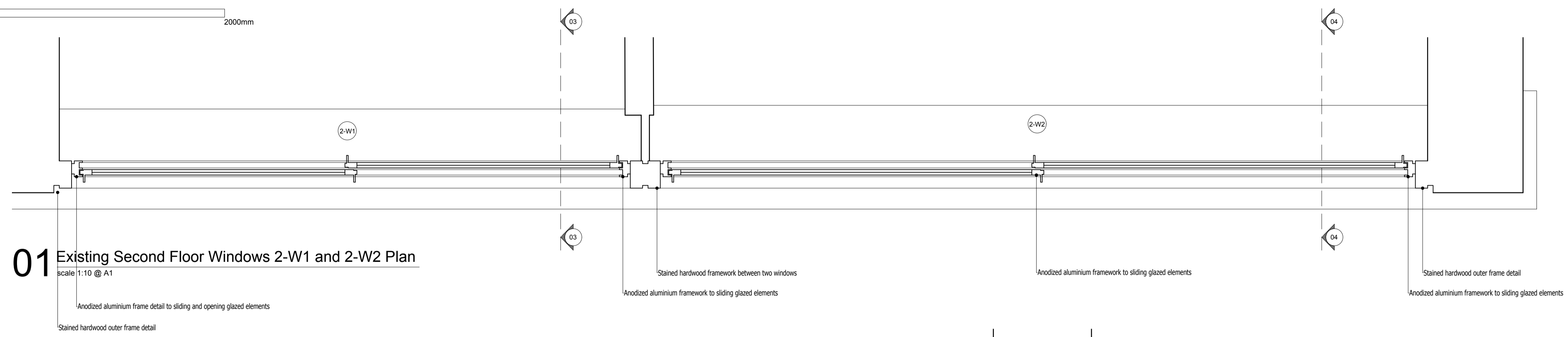
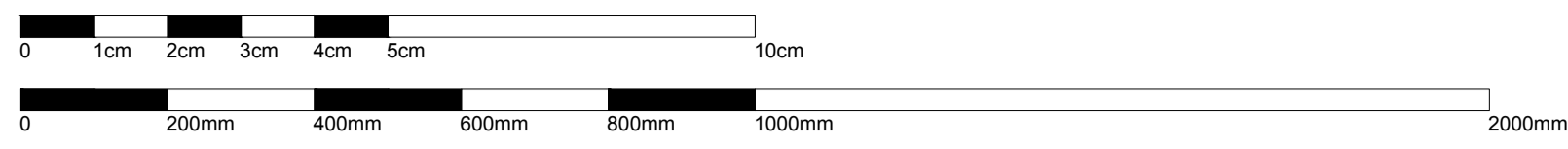


04 Existing First Floor Window 1-W1 Section
scale 1:10 @ A1

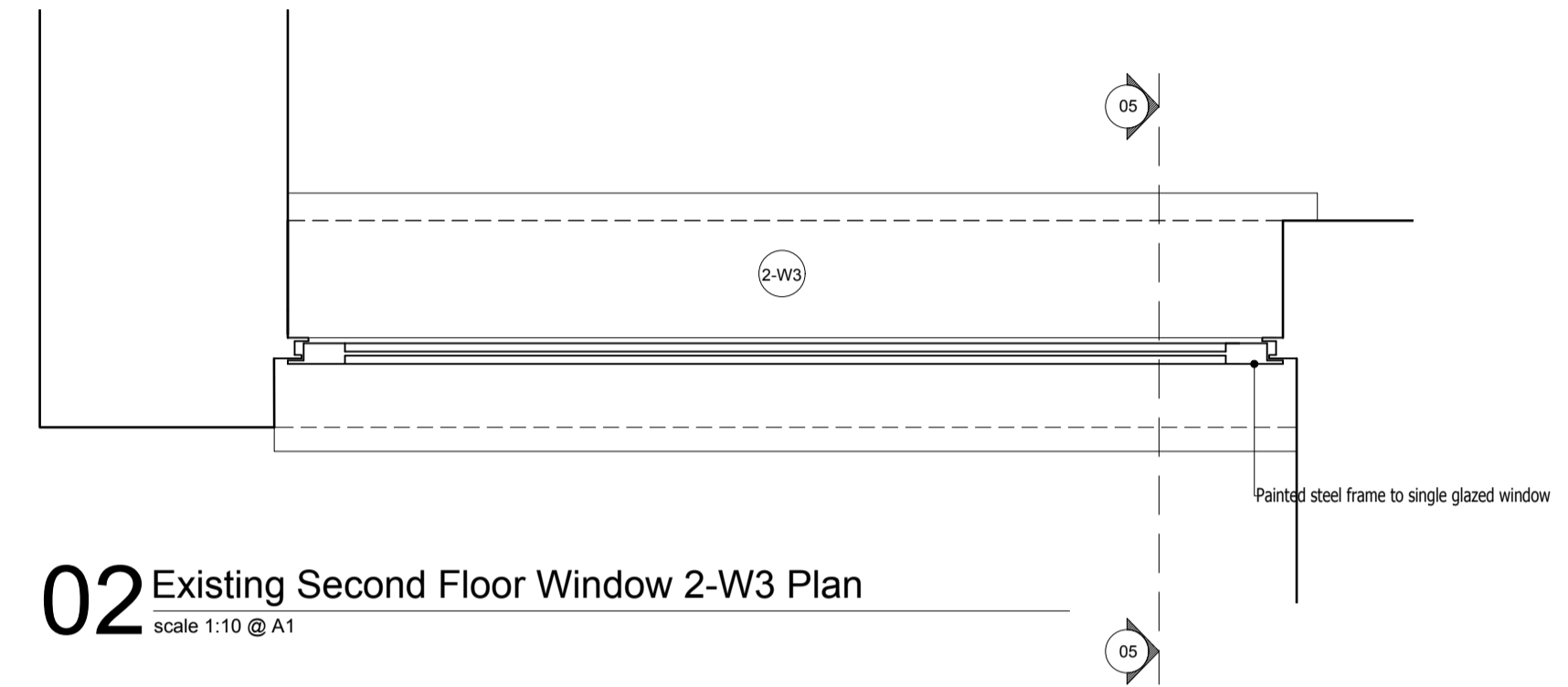


05 Existing First Floor Door 1-D3 Section
scale 1:10 @ A1

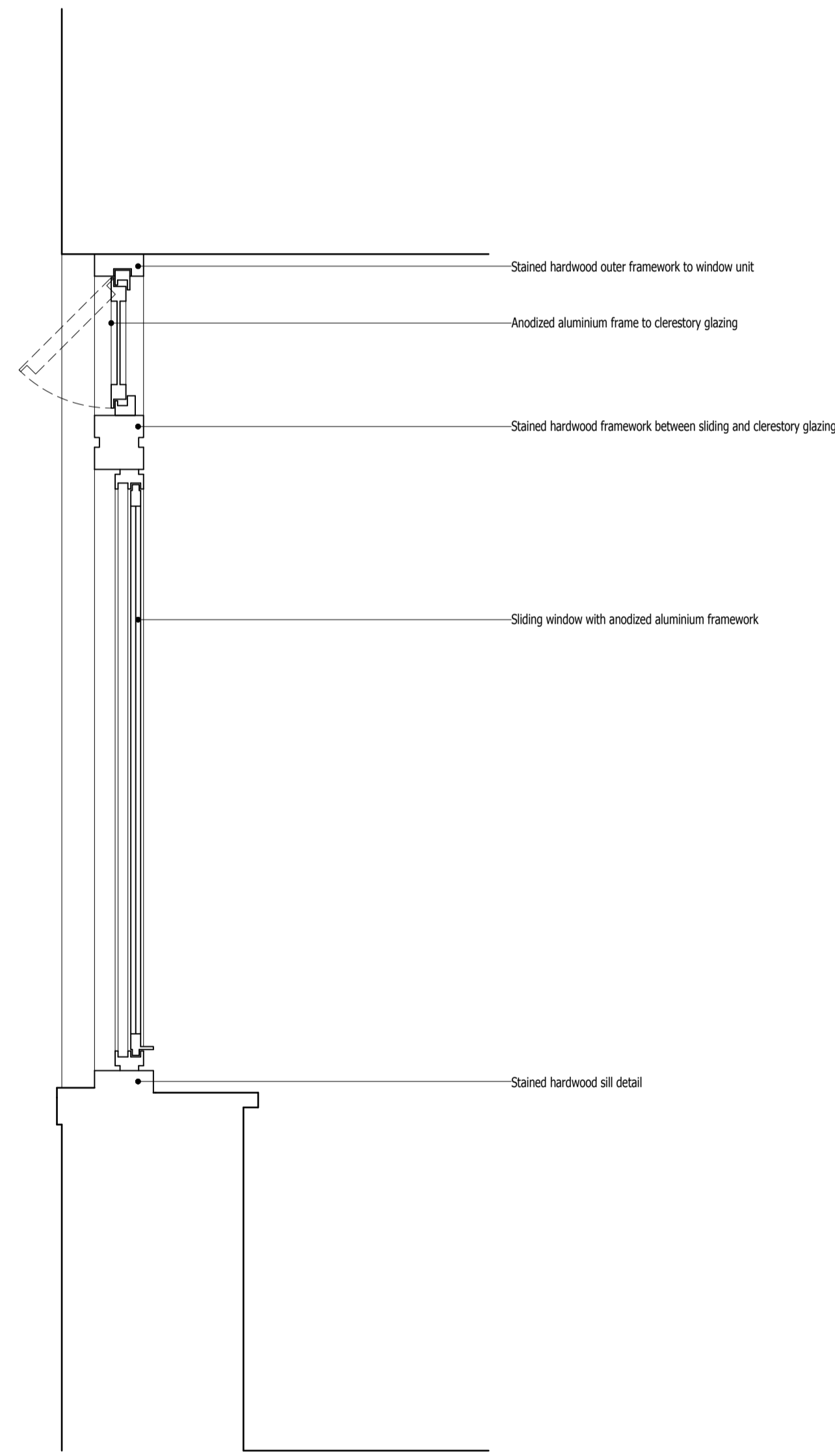




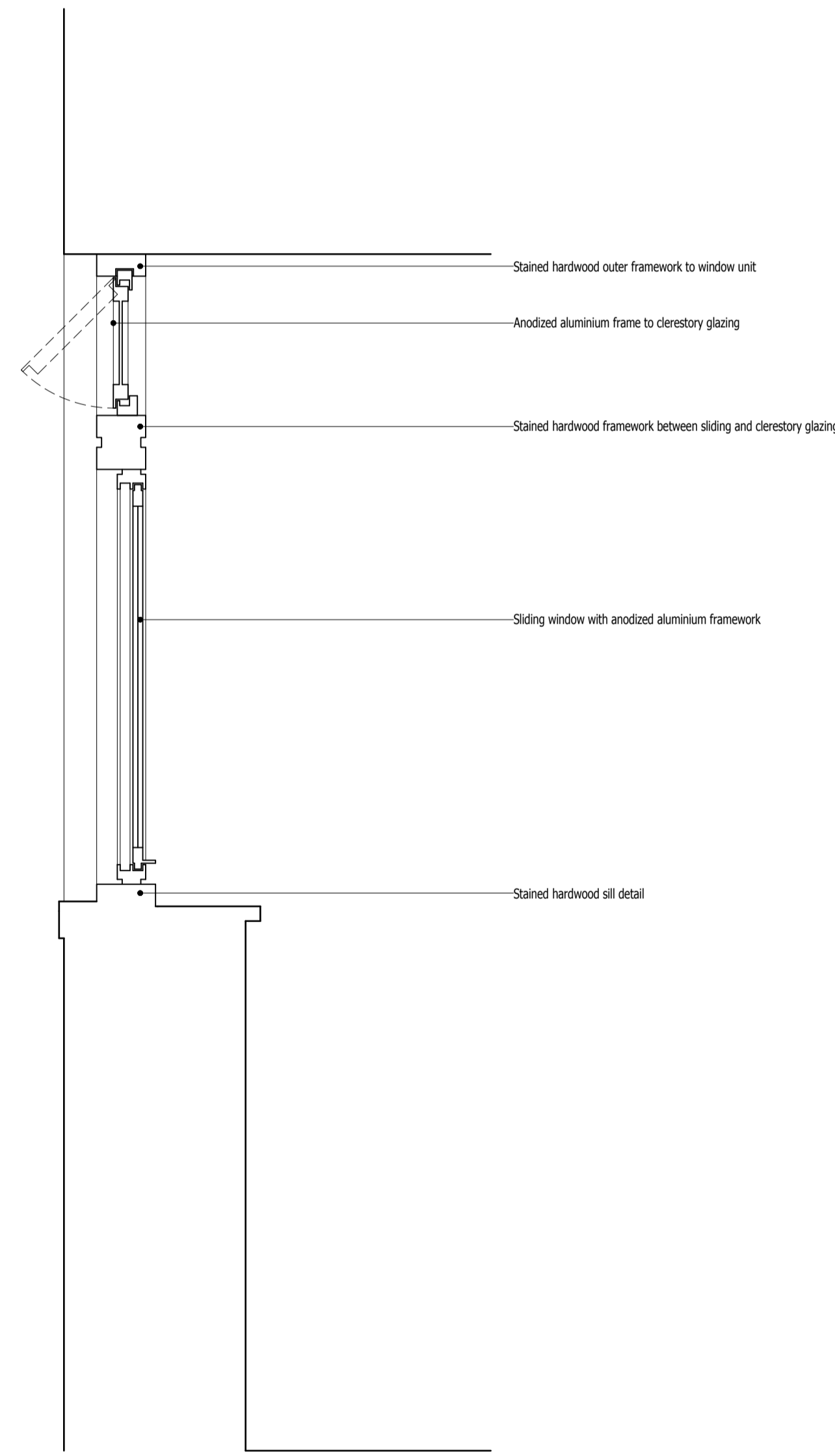
01 Existing Second Floor Windows 2-W1 and 2-W2 Plan
scale 1:10 @ A1



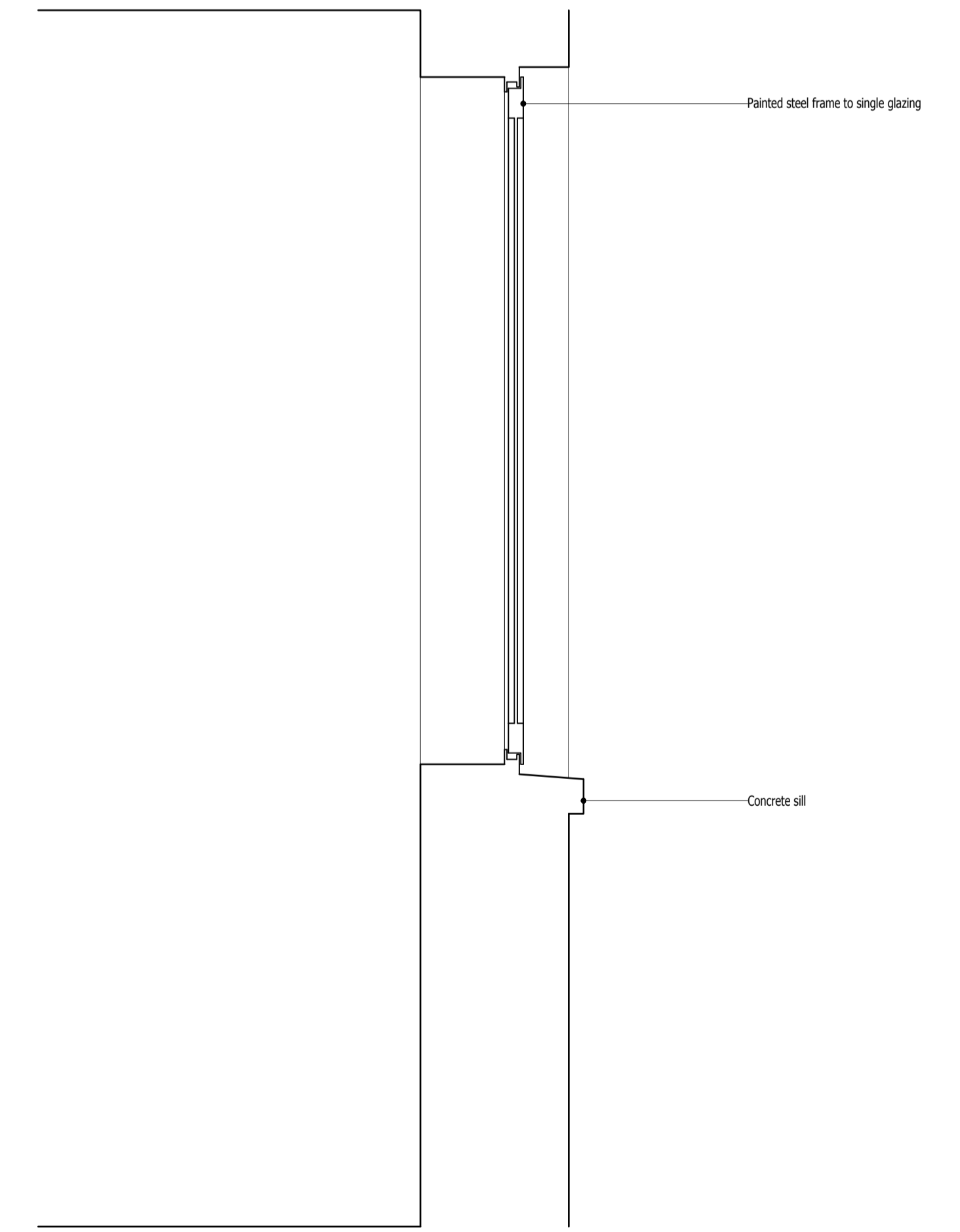
02 Existing Second Floor Window 2-W3 Plan
scale 1:10 @ A1



03 Existing Second Floor Window 2-W1 Section
scale 1:10 @ A1

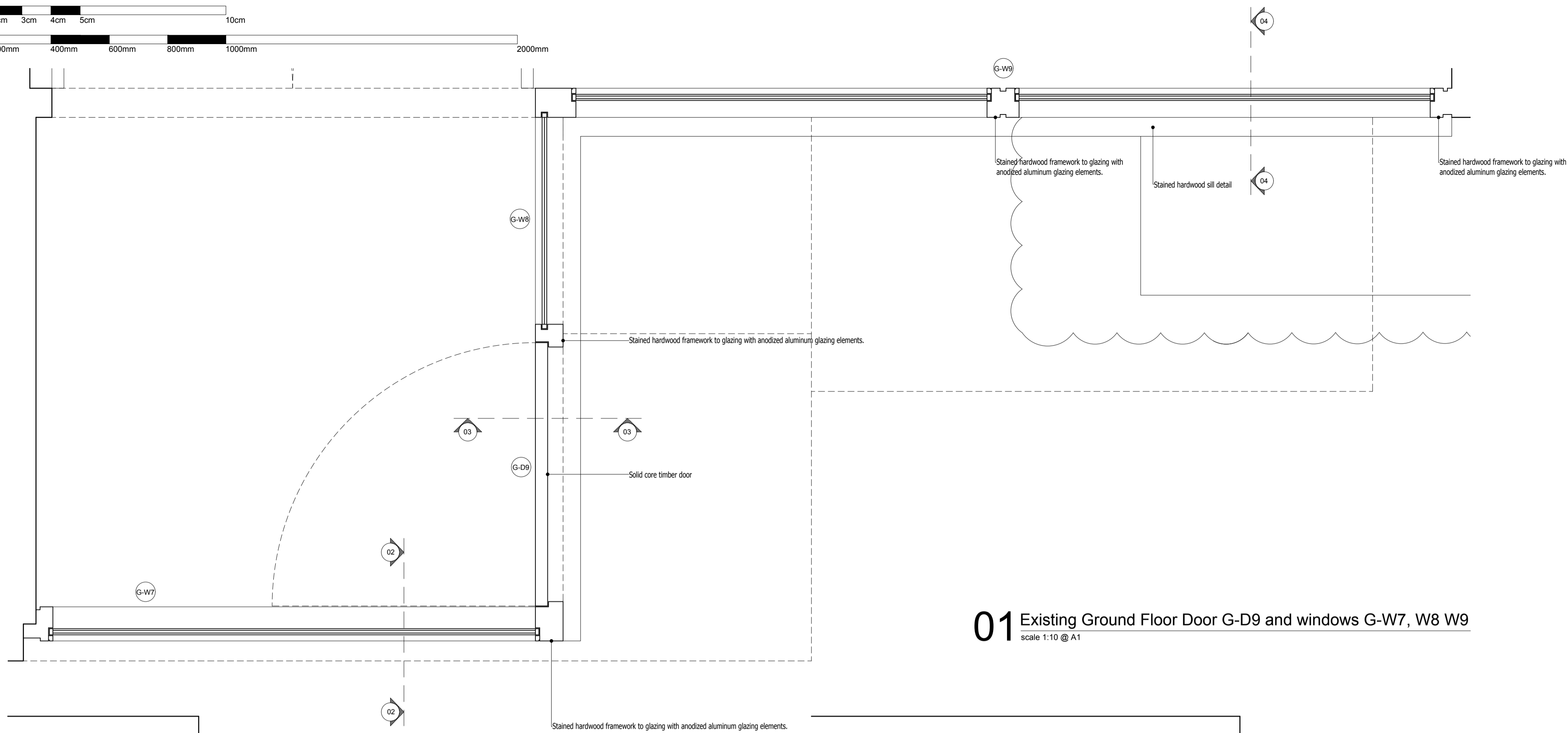
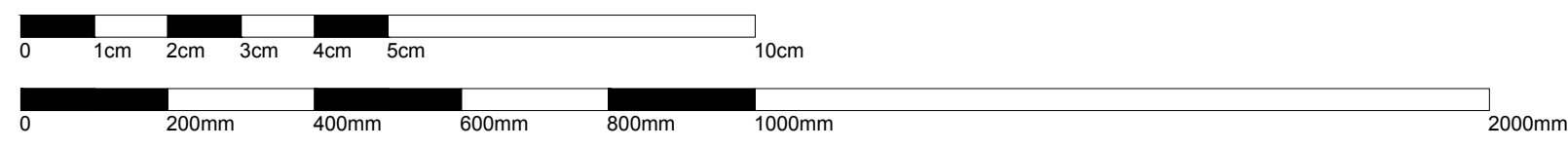


04 Existing Second Floor Window 2-W2 Section
scale 1:10 @ A1

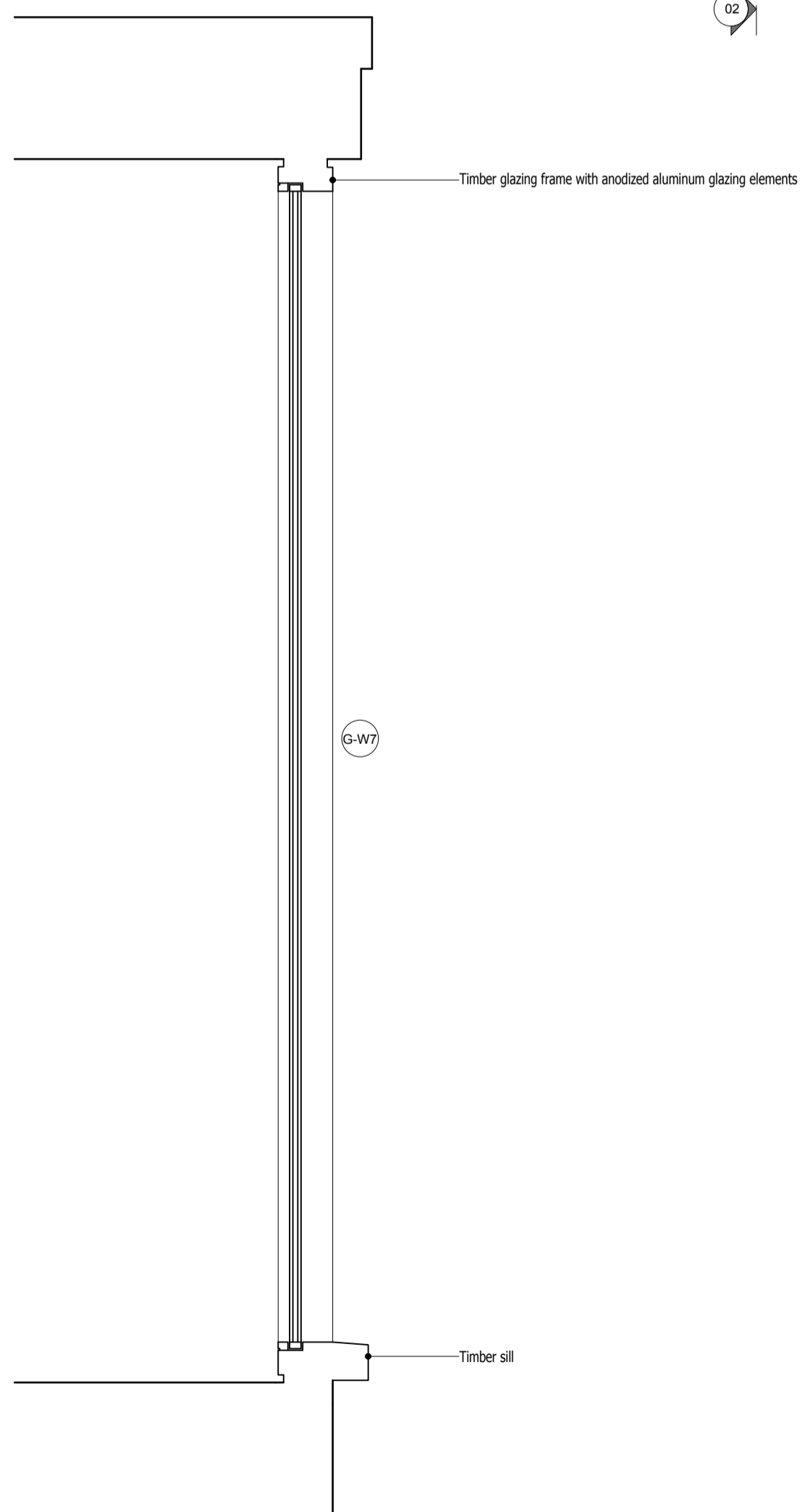


05 Existing Second Floor Window 2-W3 Section
scale 1:10 @ A1

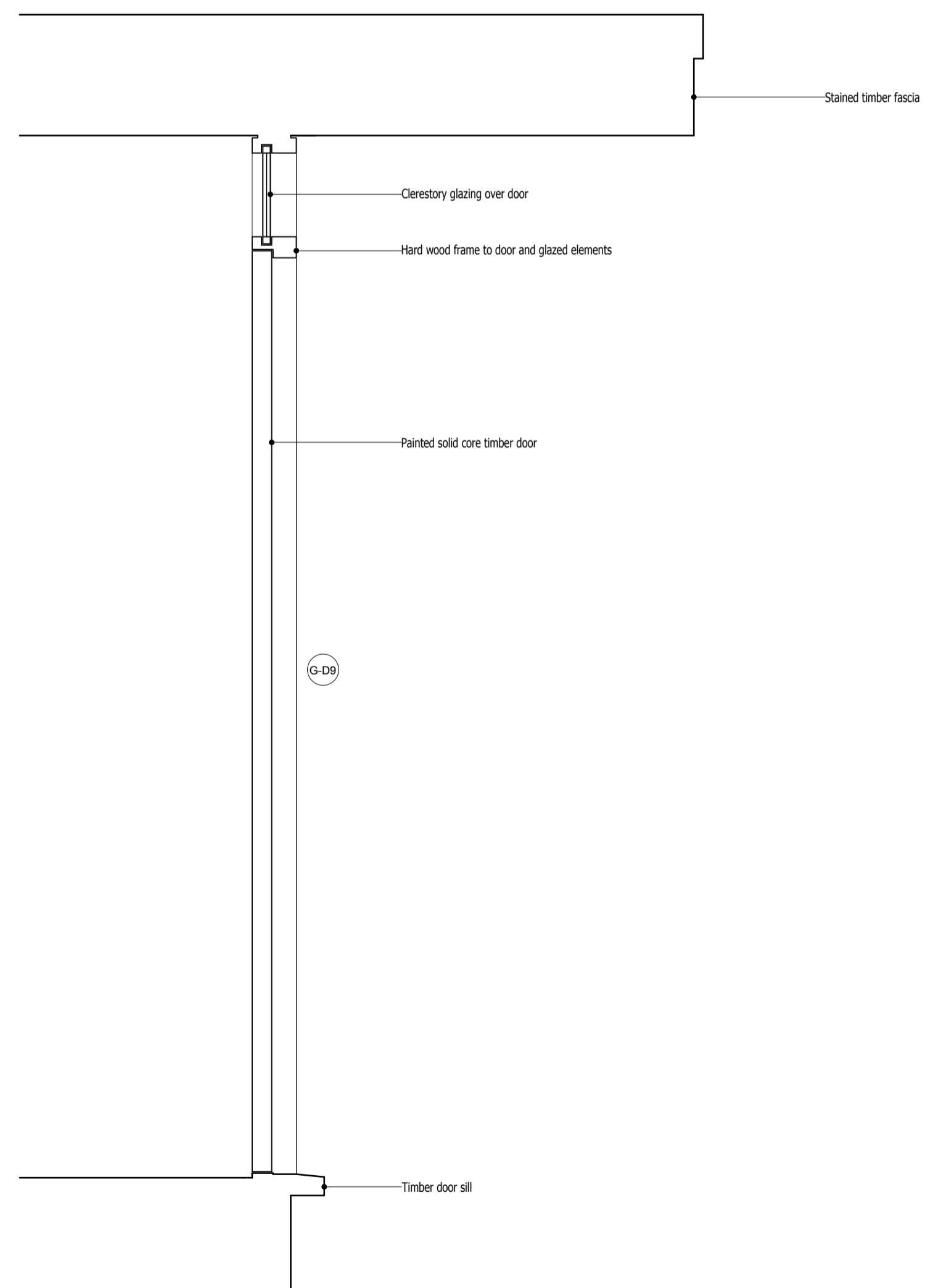




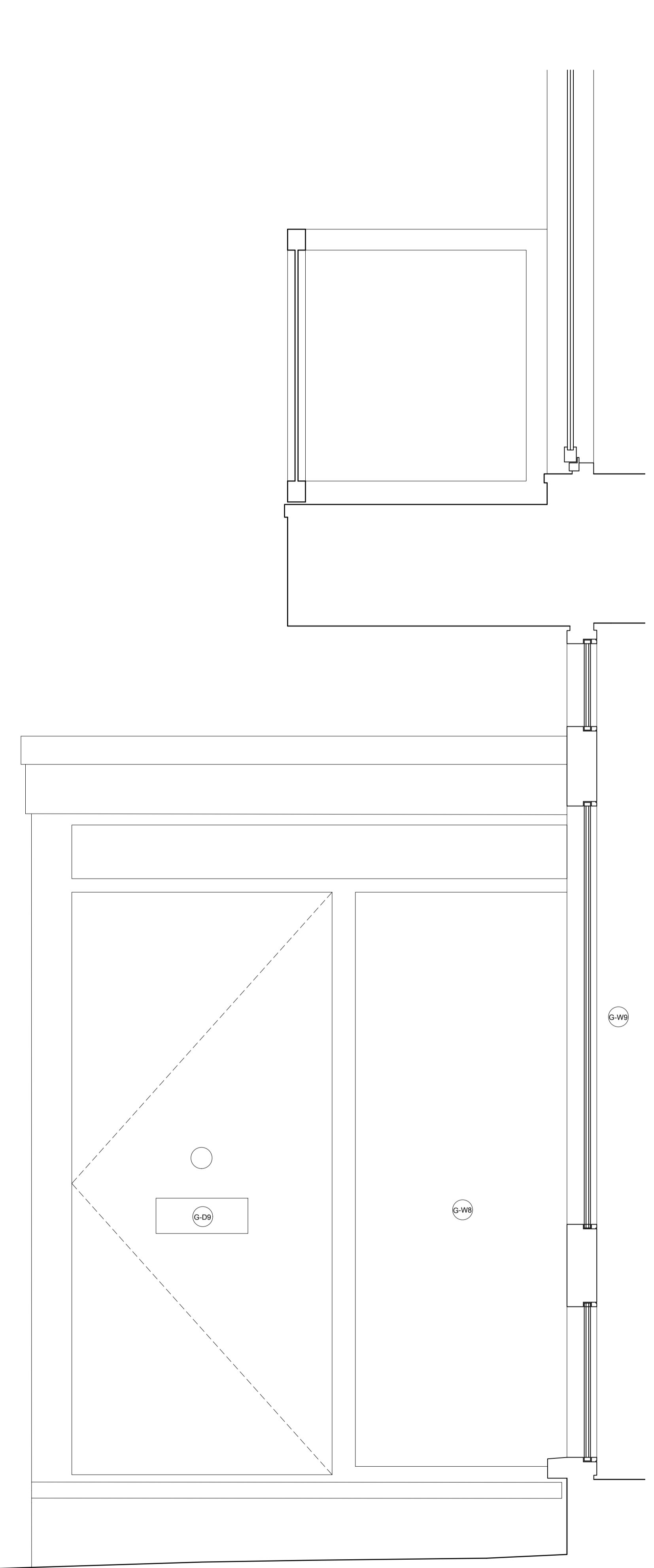
01 Existing Ground Floor Door G-D9 and windows G-W7, W8 W9
scale 1:10 @ A1



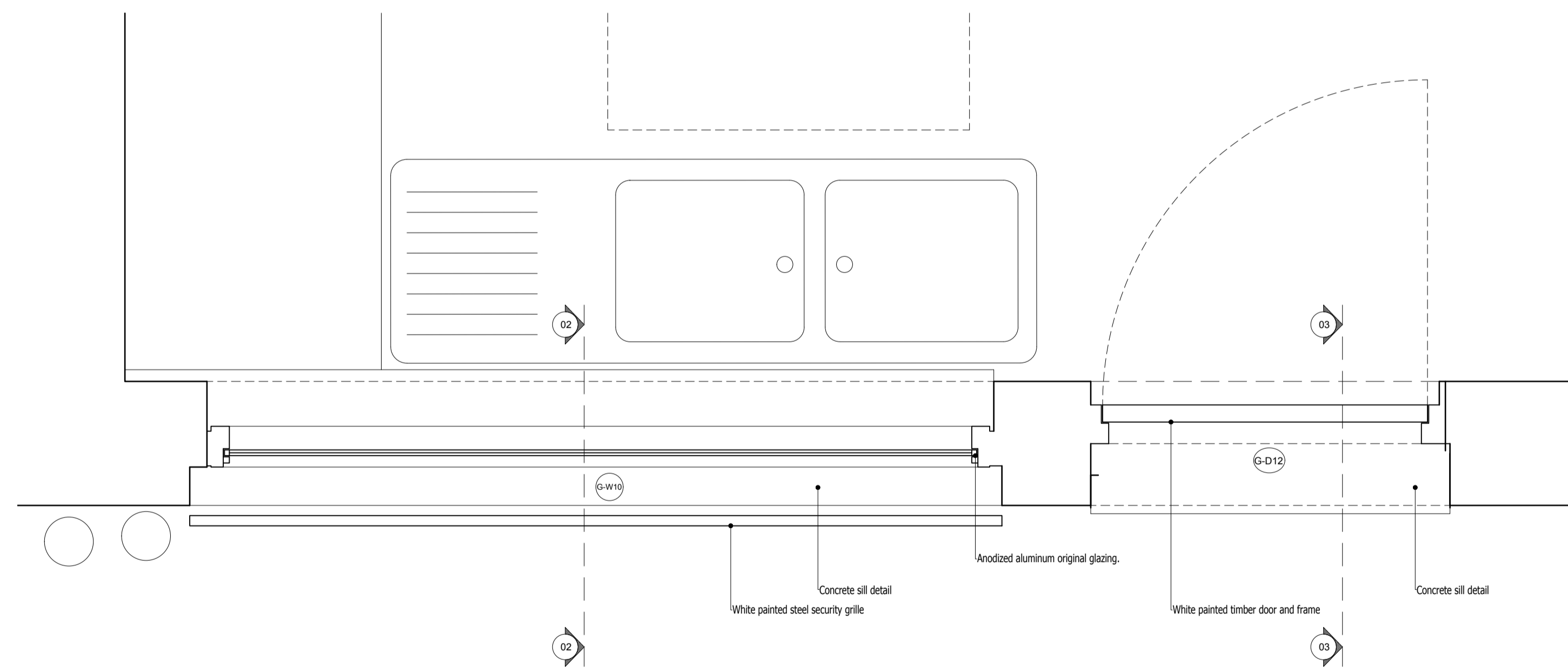
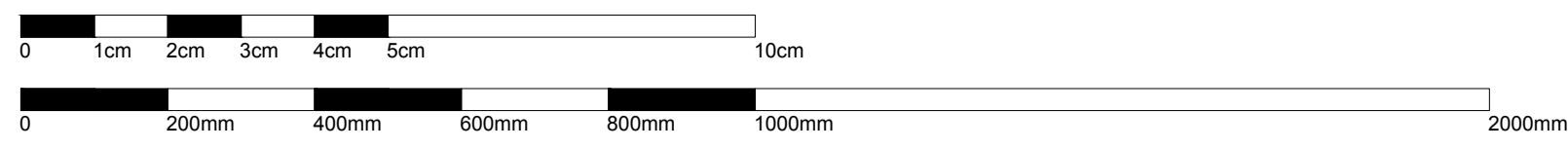
02 Existing Ground Floor Window G-W7 Section
scale 1:10 @ A1



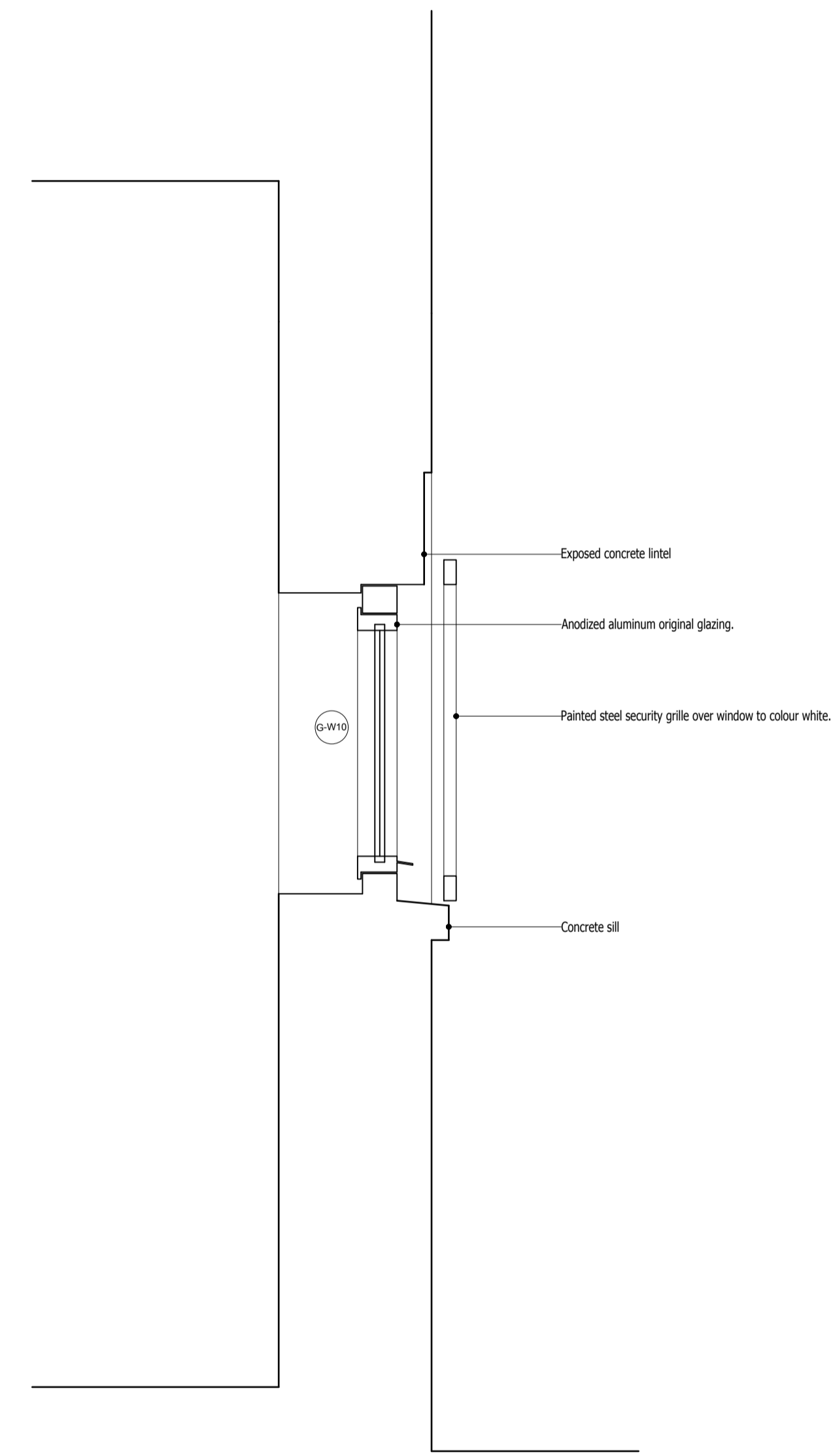
03 Existing Ground Floor Door G-D9 Section
scale 1:10 @ A1



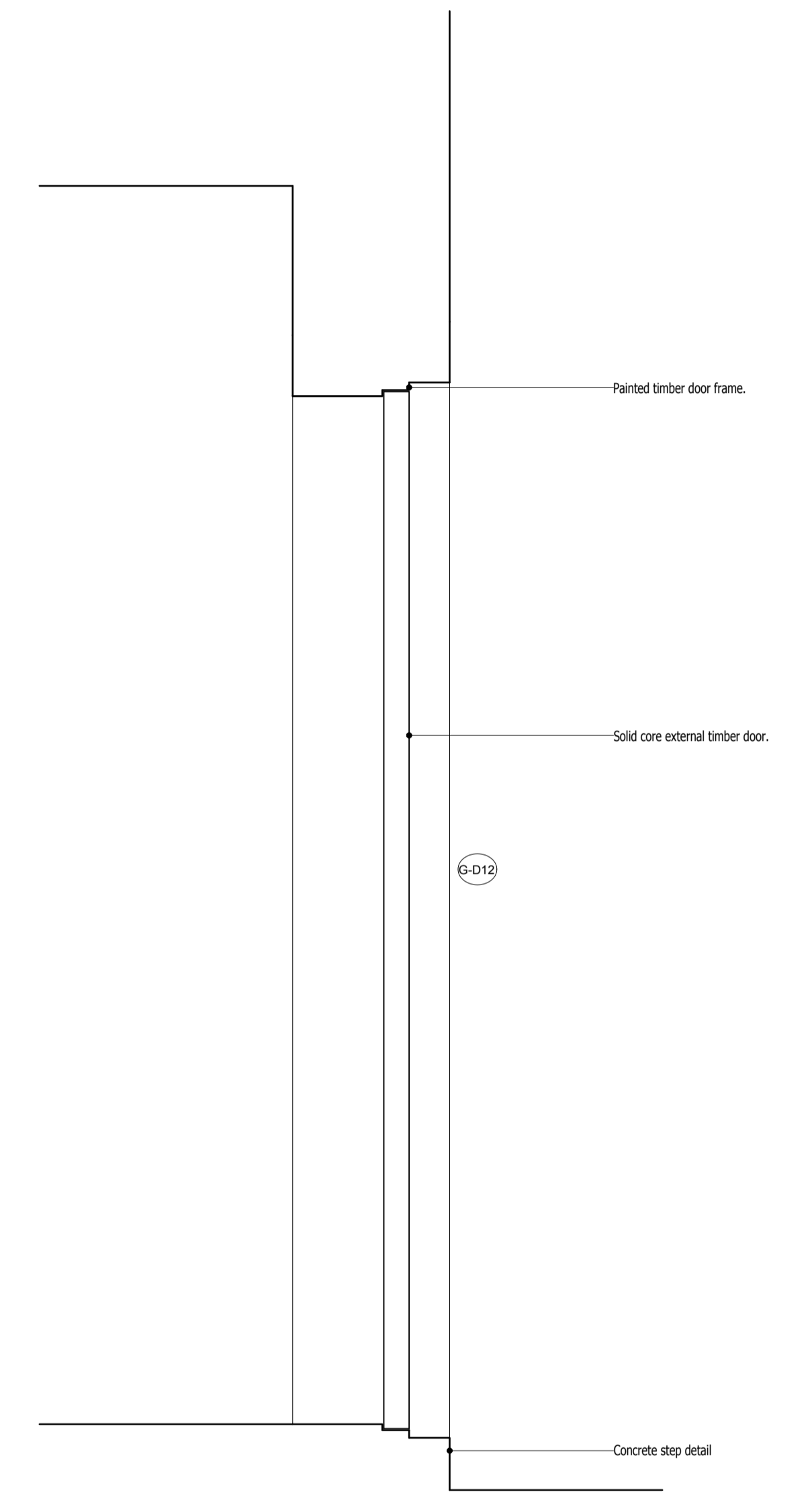
04 Existing Ground Floor Window G-W9 Section
scale 1:10 @ A1



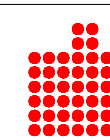
01 Existing Ground Floor Window G-W10 Plan
scale 1:10 @ A1

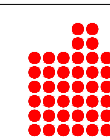
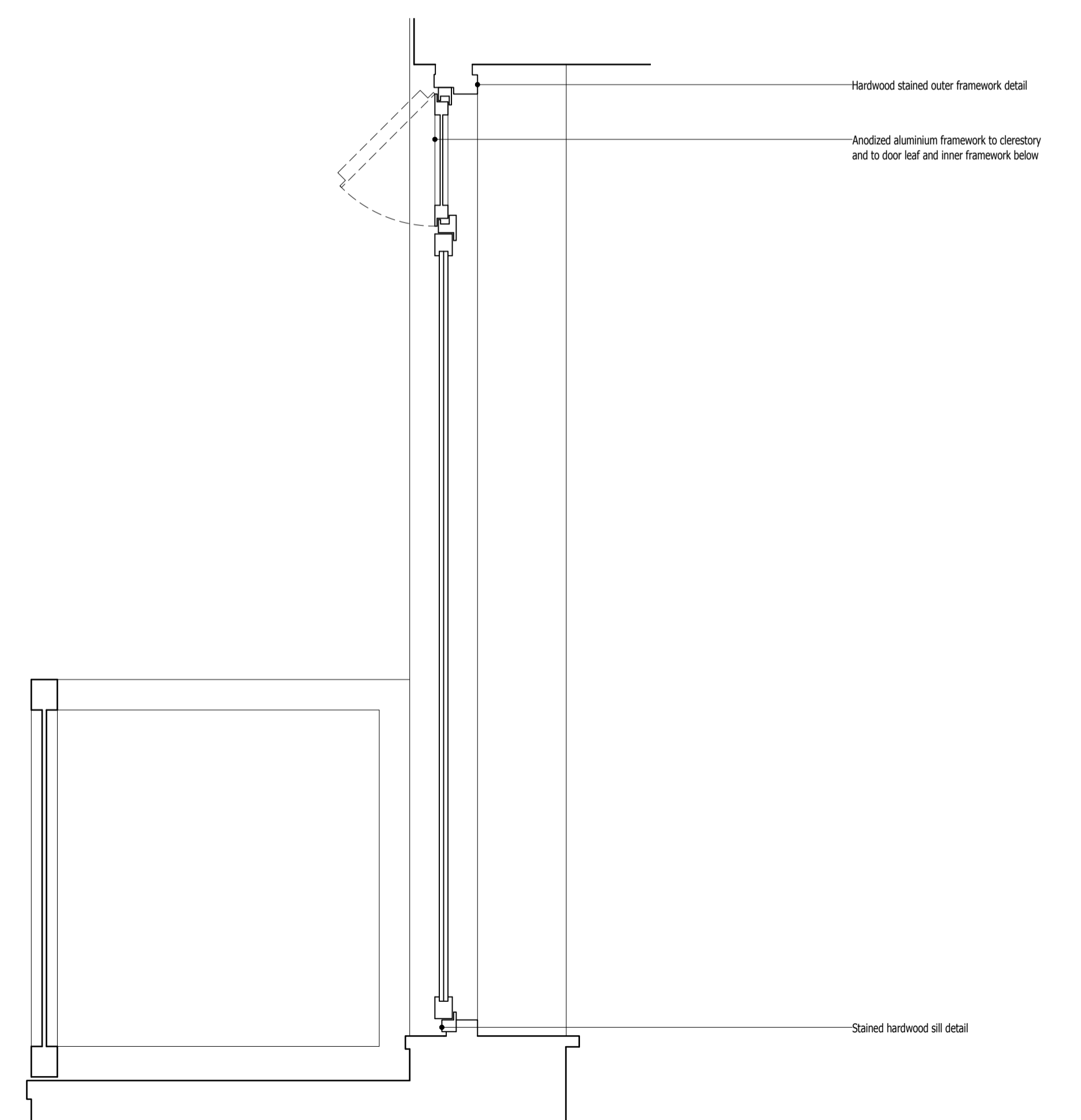
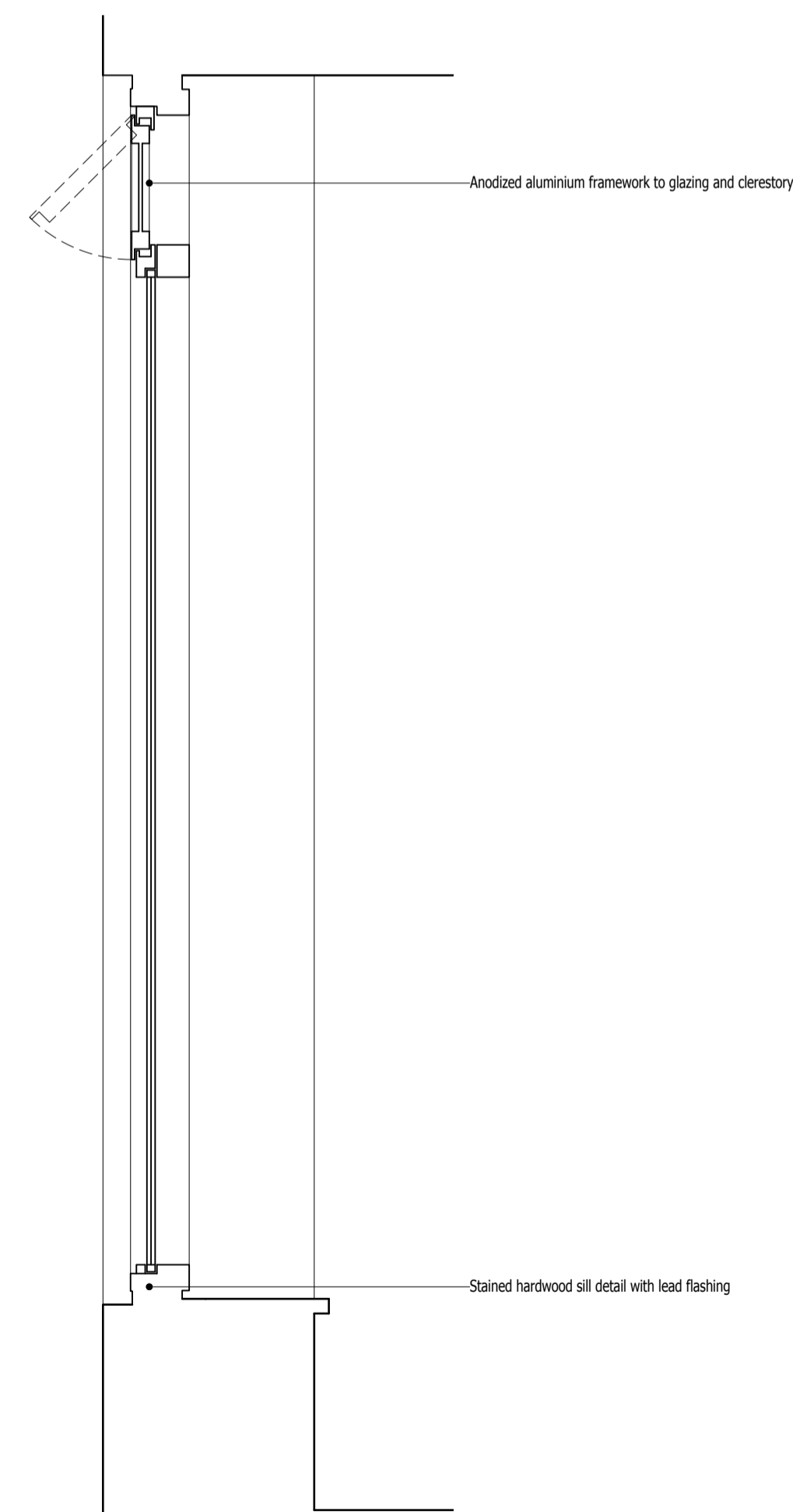
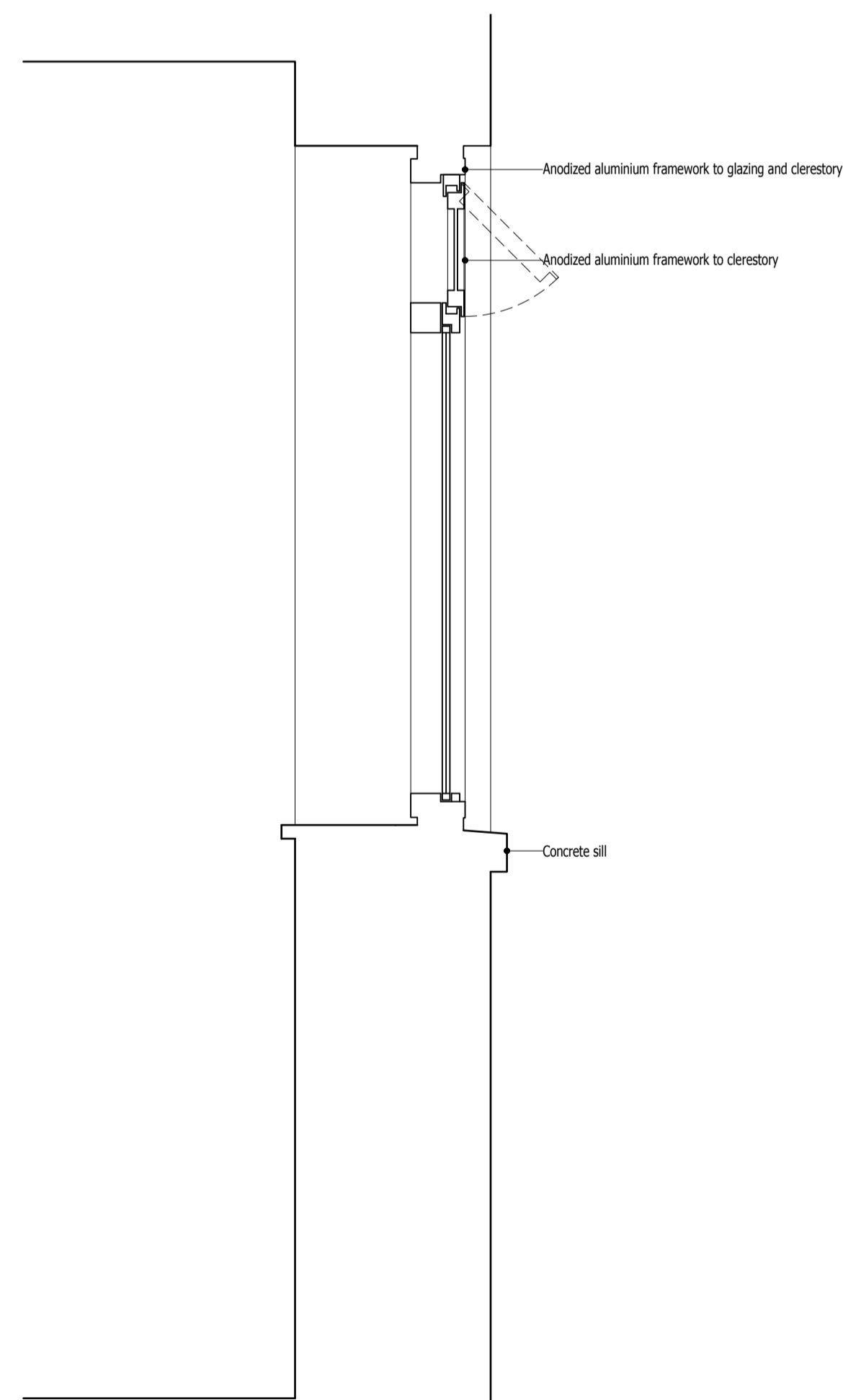
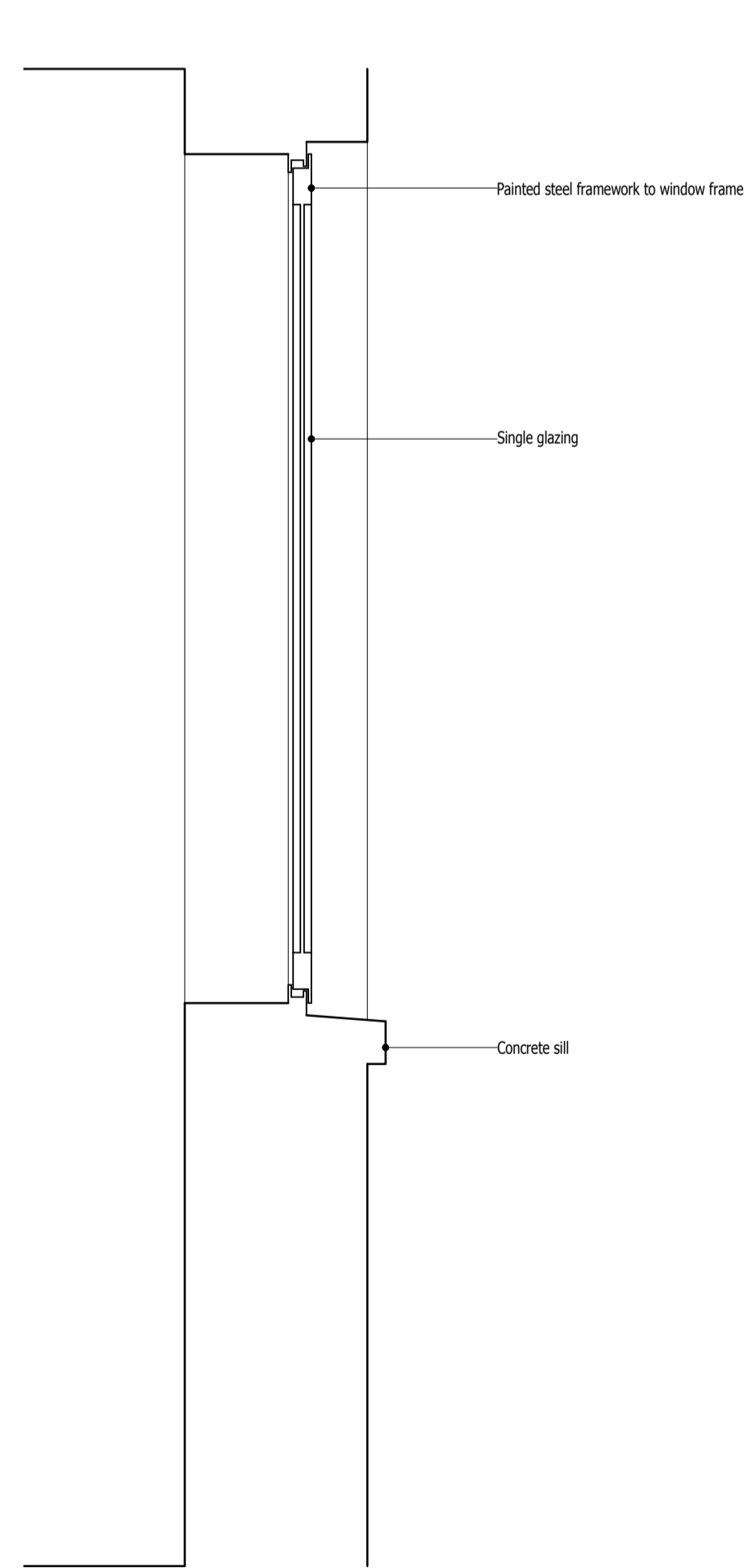
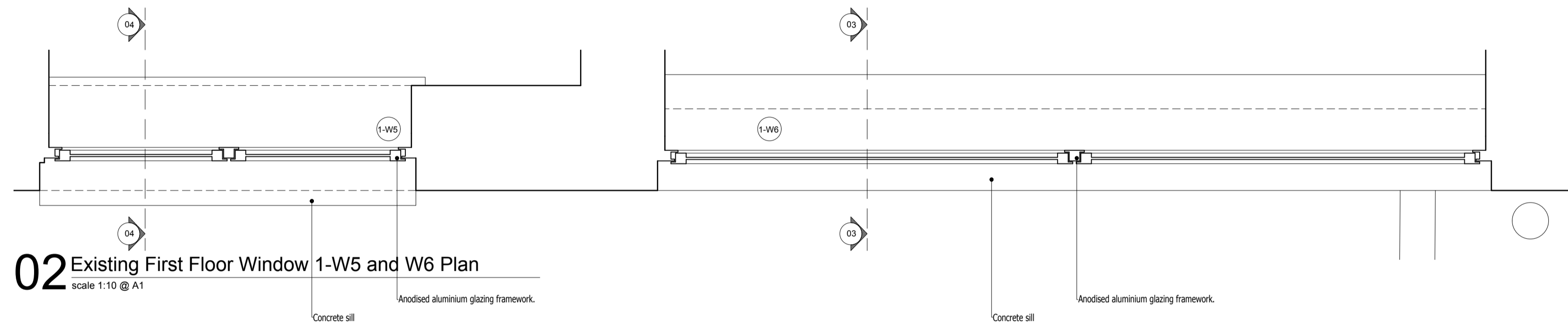
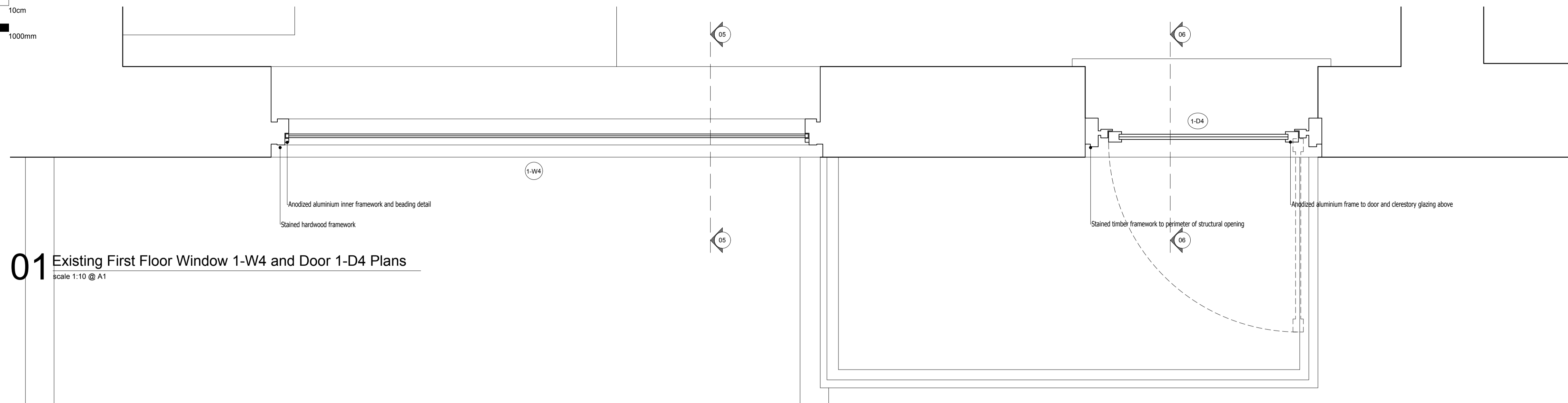
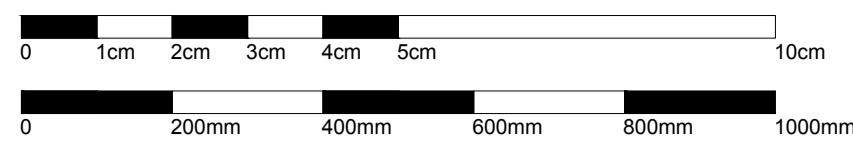


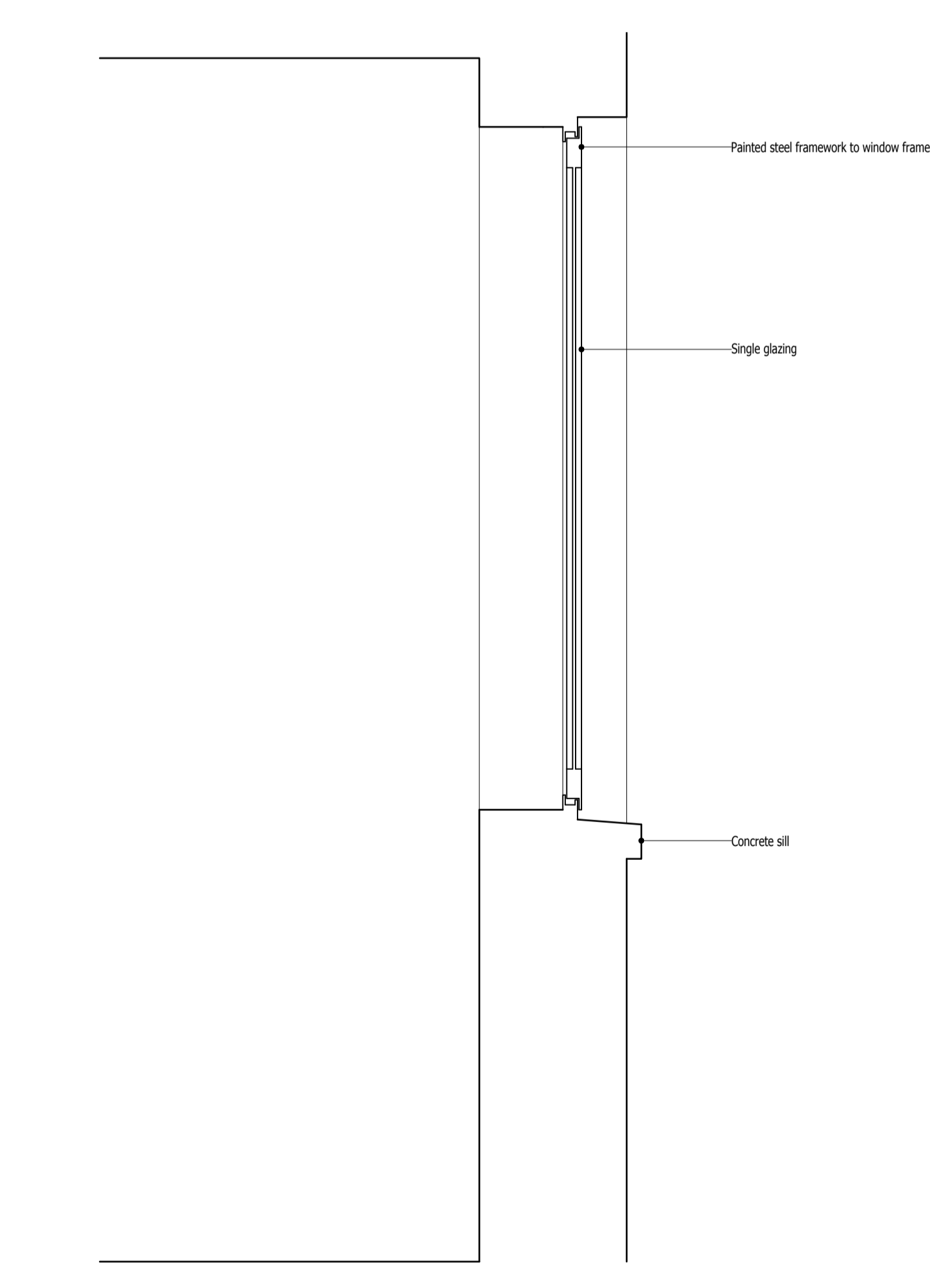
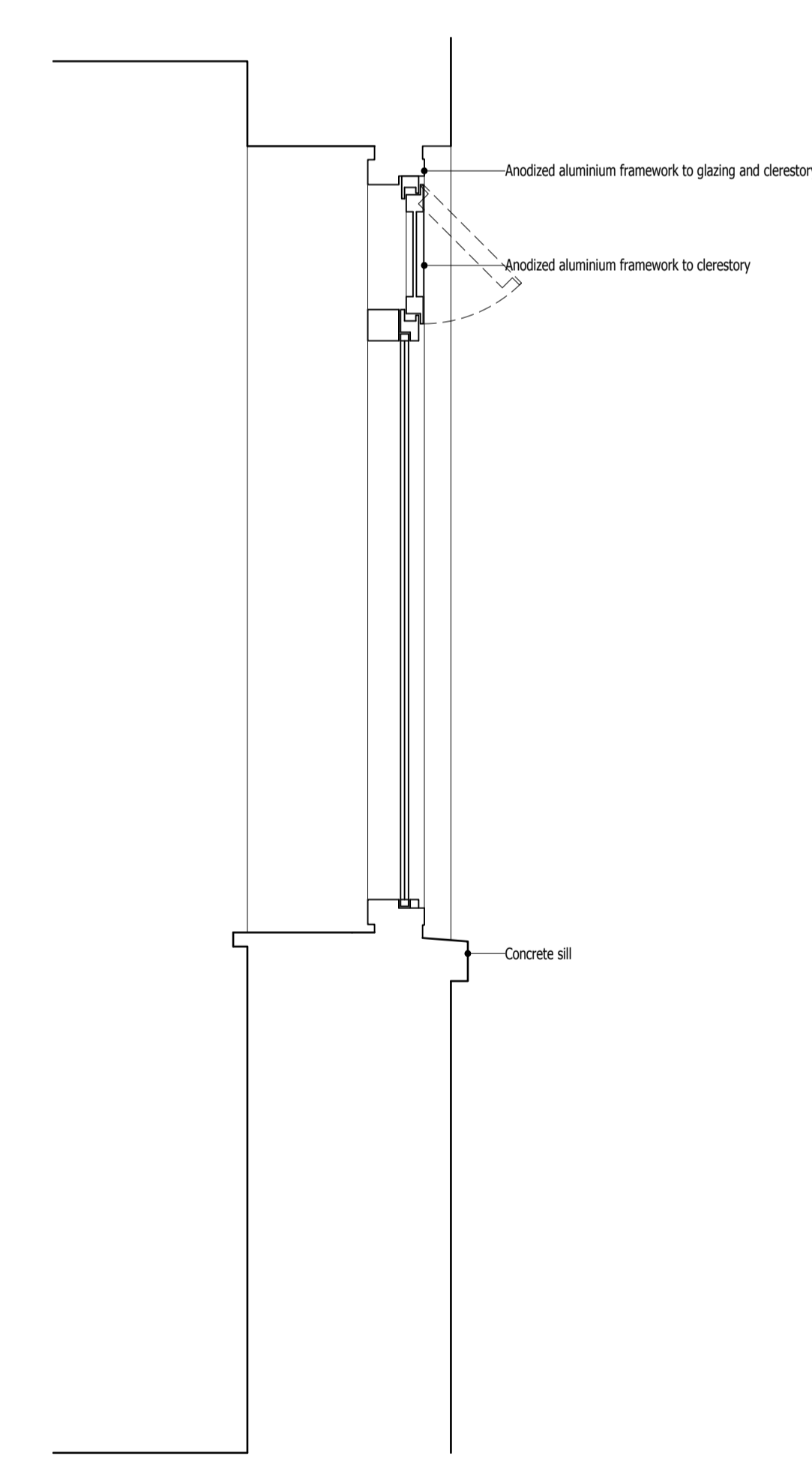
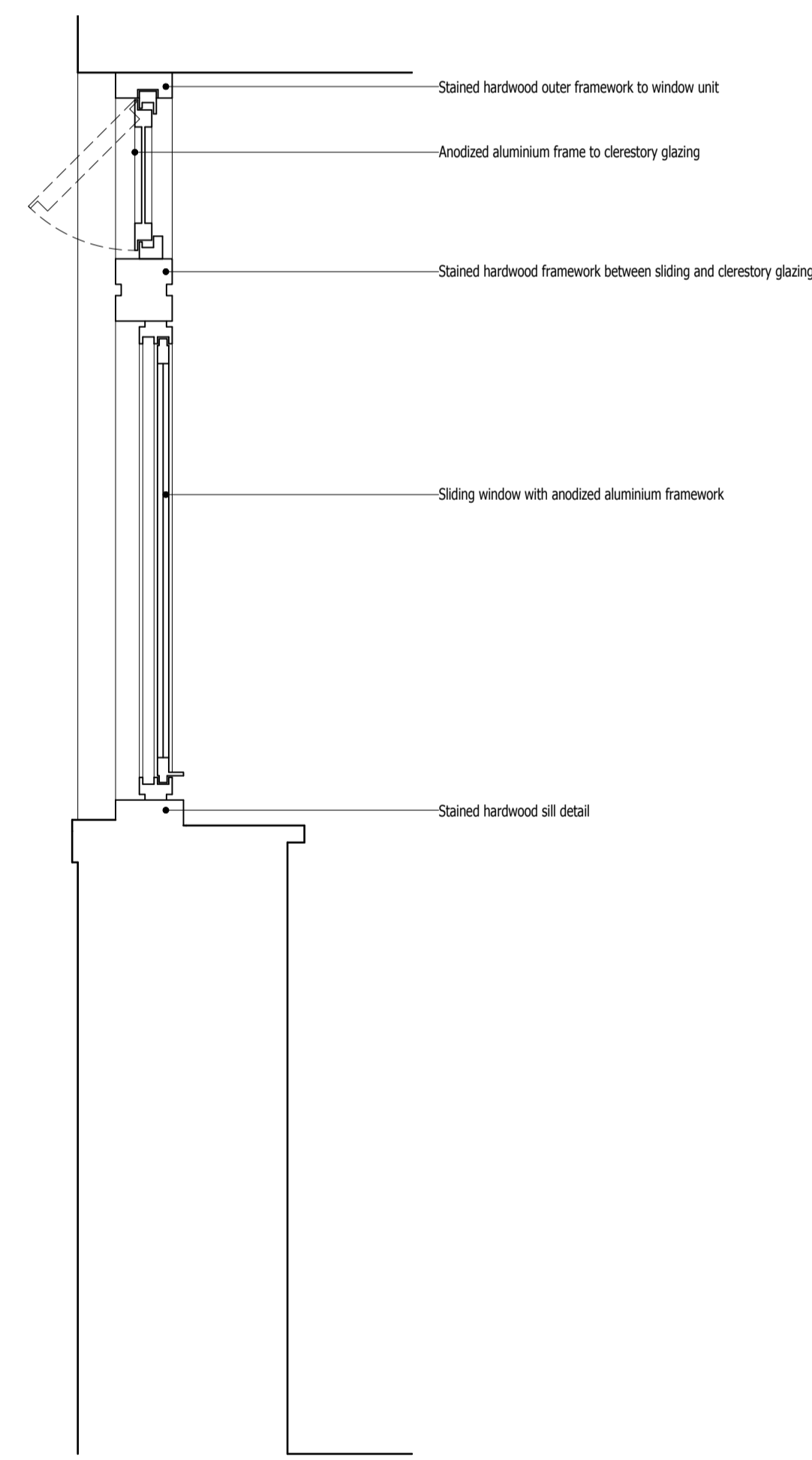
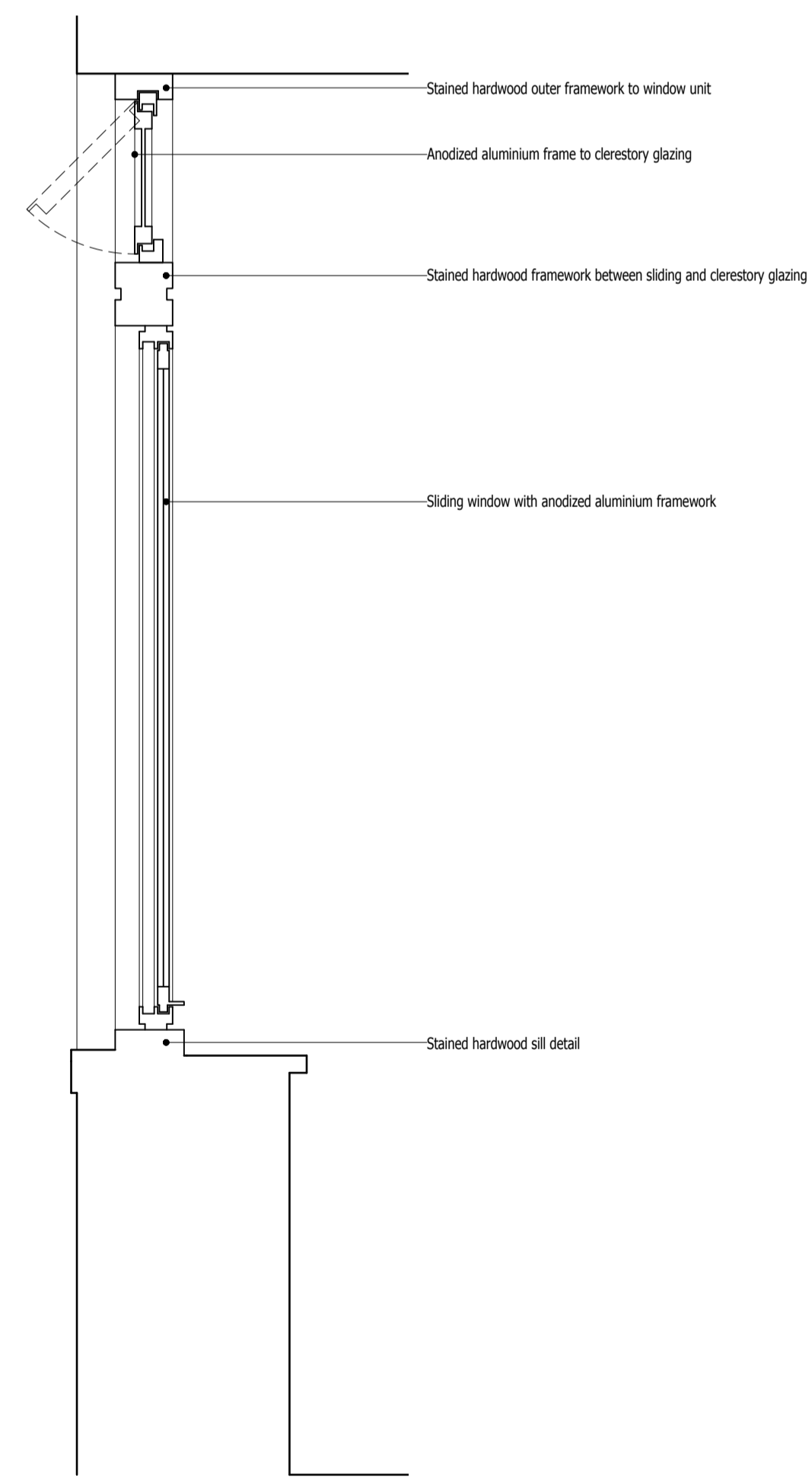
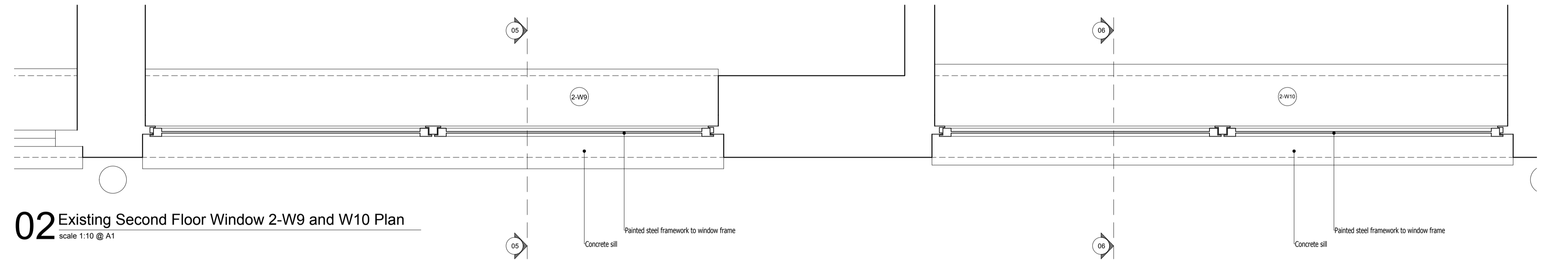
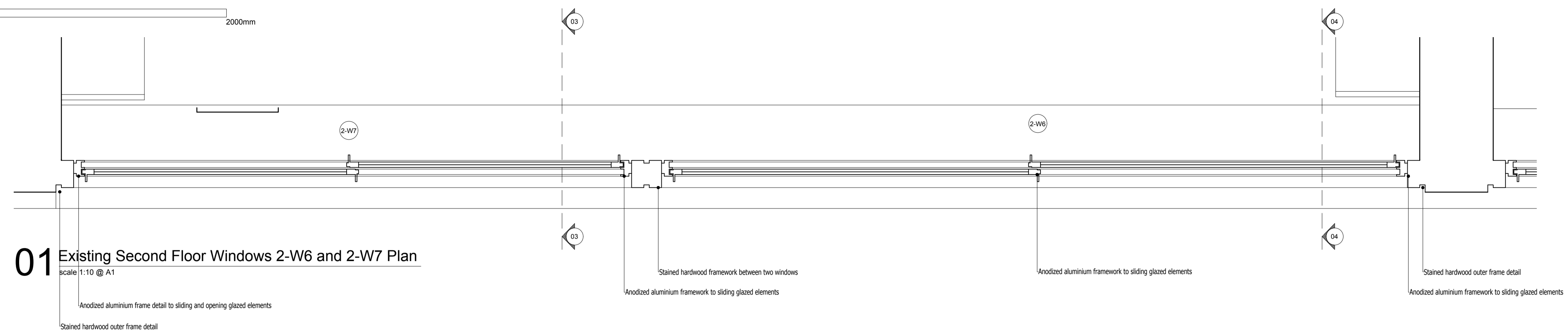
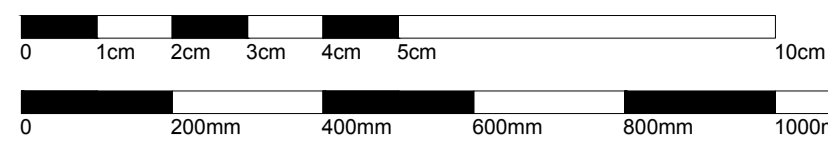
02 Existing Ground Floor Window G-W10 Section
scale 1:10 @ A1



03 Existing Ground Floor Door G-D12
scale 1:10 @ A1







03 Existing Second Floor Window 2-W7 Section
scale 1:10 @ A1

04 Existing Second Floor Window 2-W6 Section
scale 1:10 @ A1

05 Existing Second Floor Window 2-W9 Section
scale 1:10 @ A1

06 Existing Second Floor Window 2-W10 Section
scale 1:10 @ A1