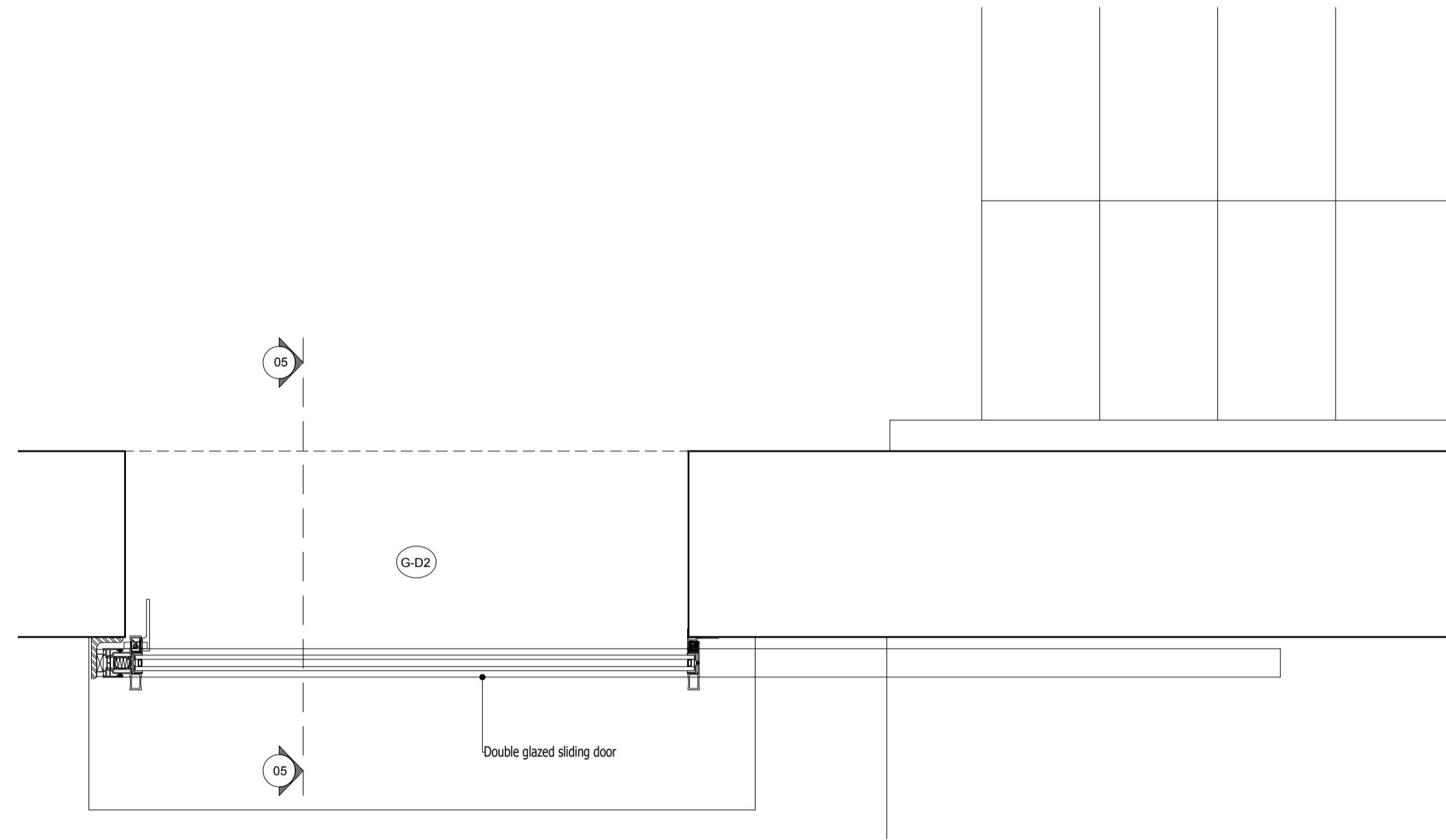
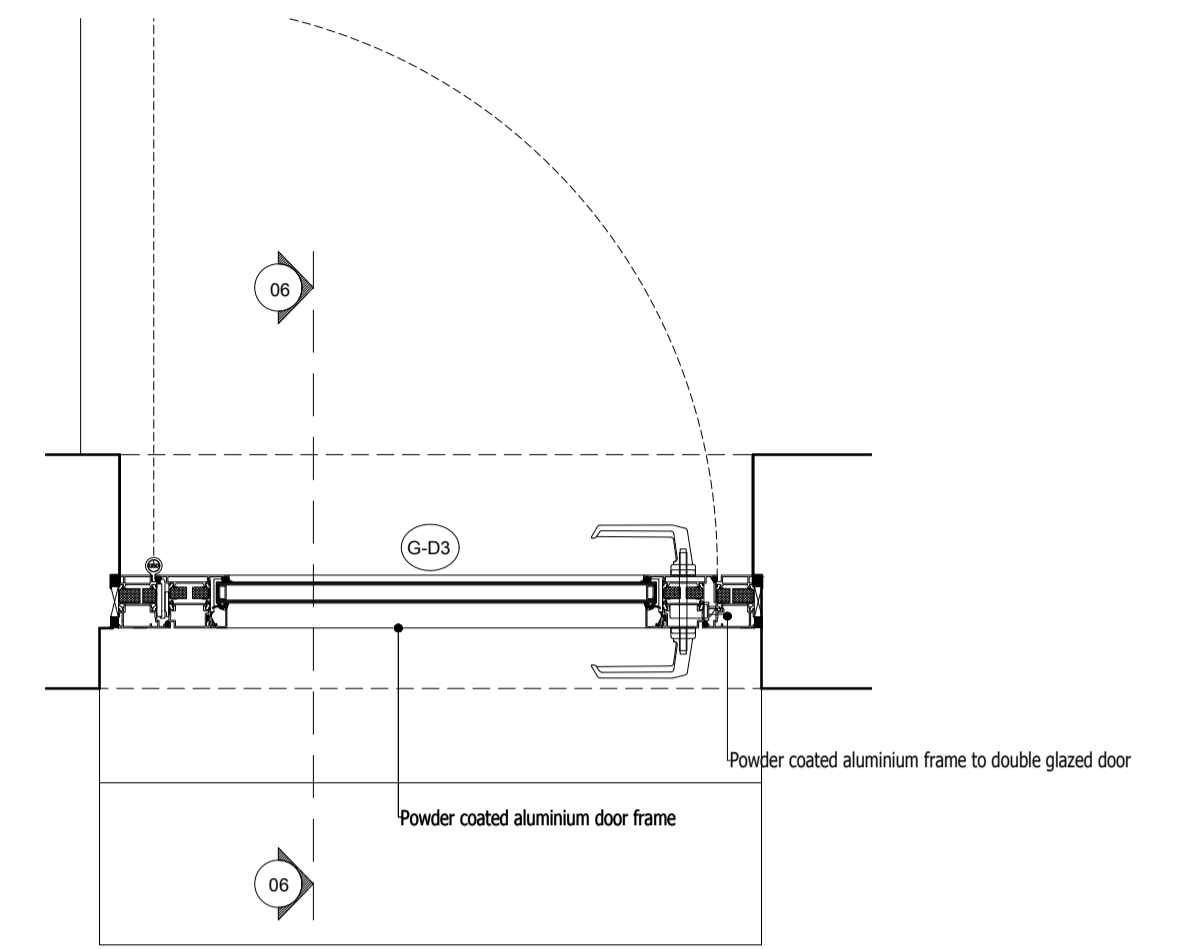


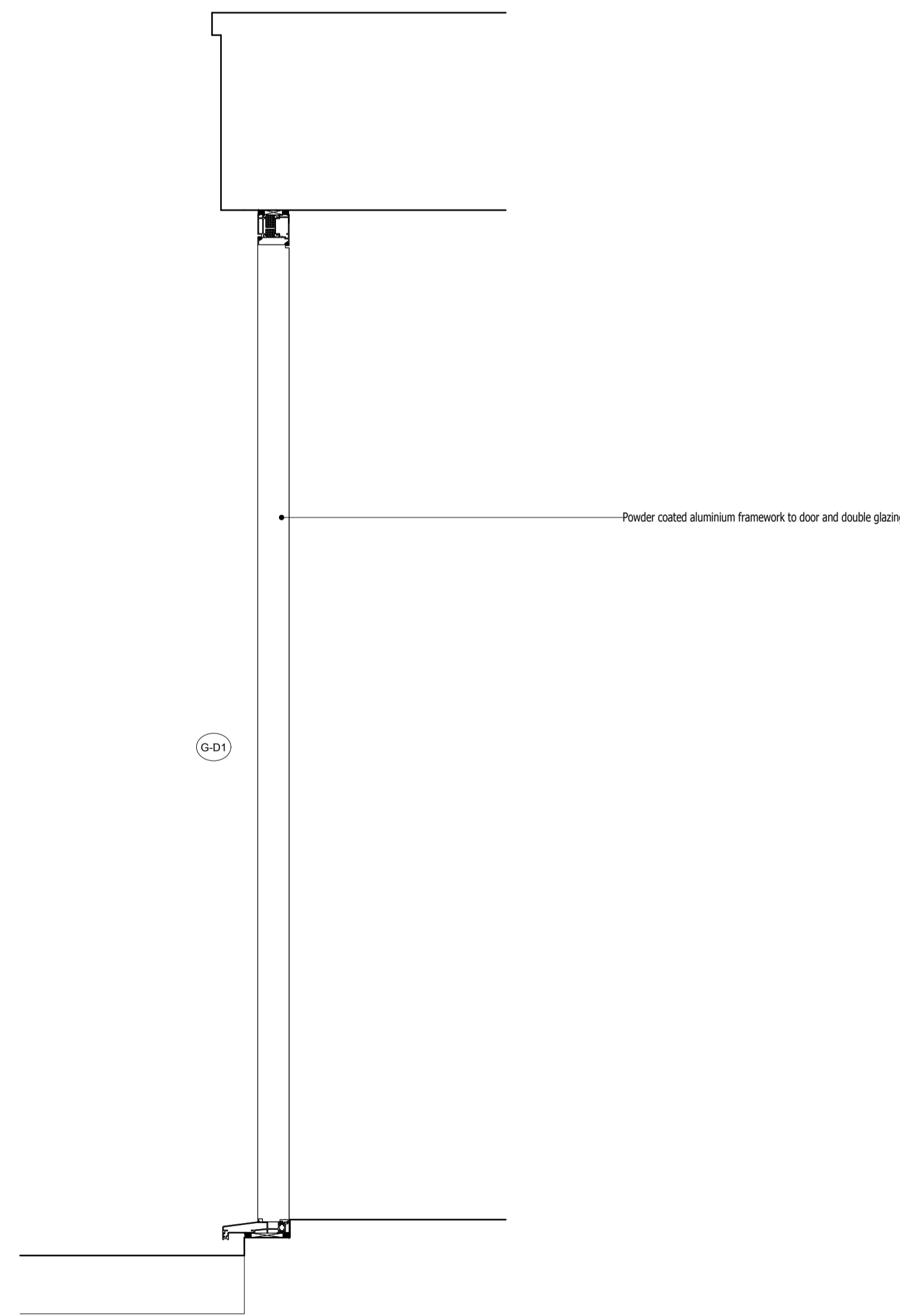
01 Proposed Ground Floor Door G-D01 and Window G-W1 Plan
scale 1:10 @ A1



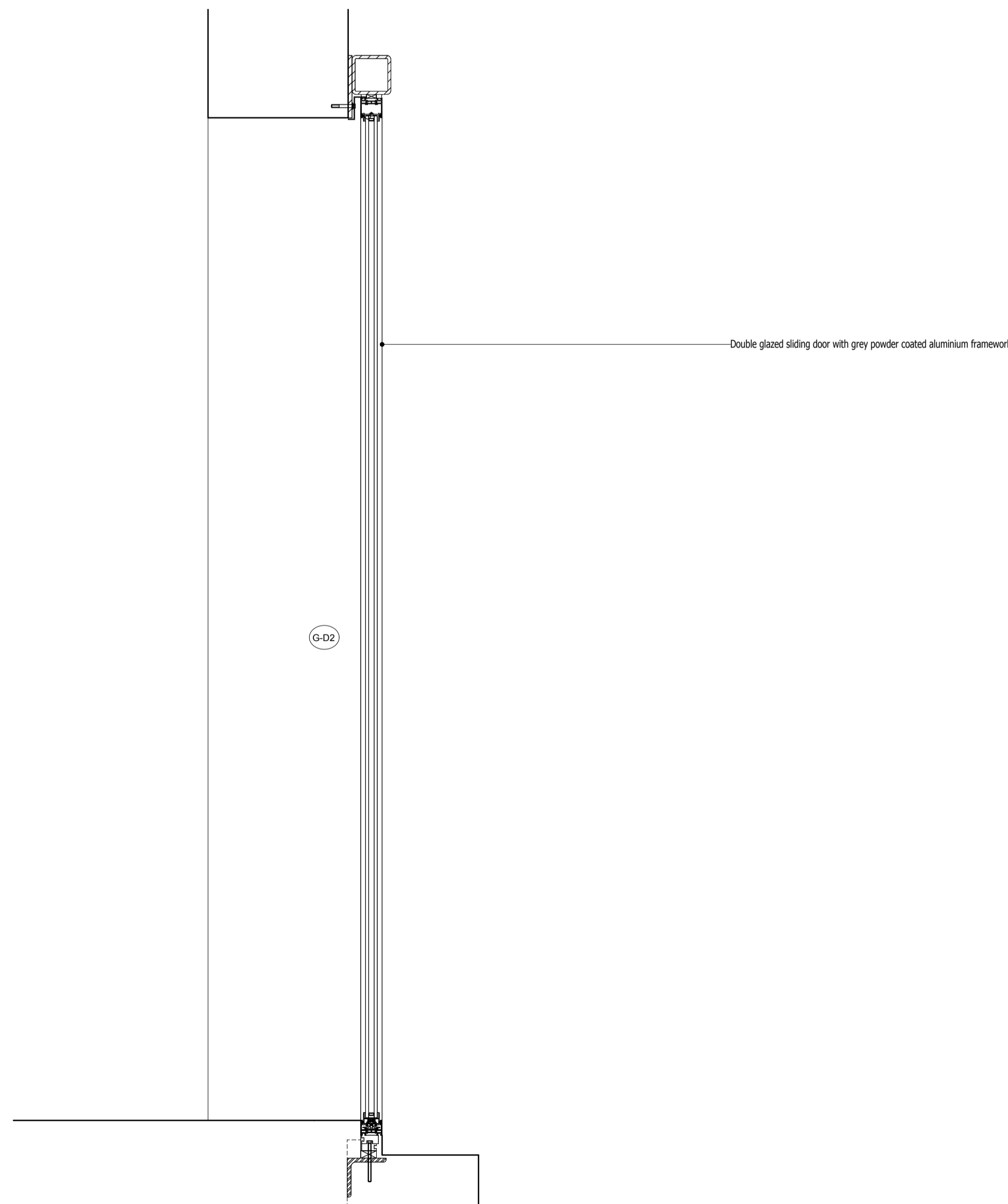
02 Proposed Ground Floor Door G-D02
scale 1:10 @ A1



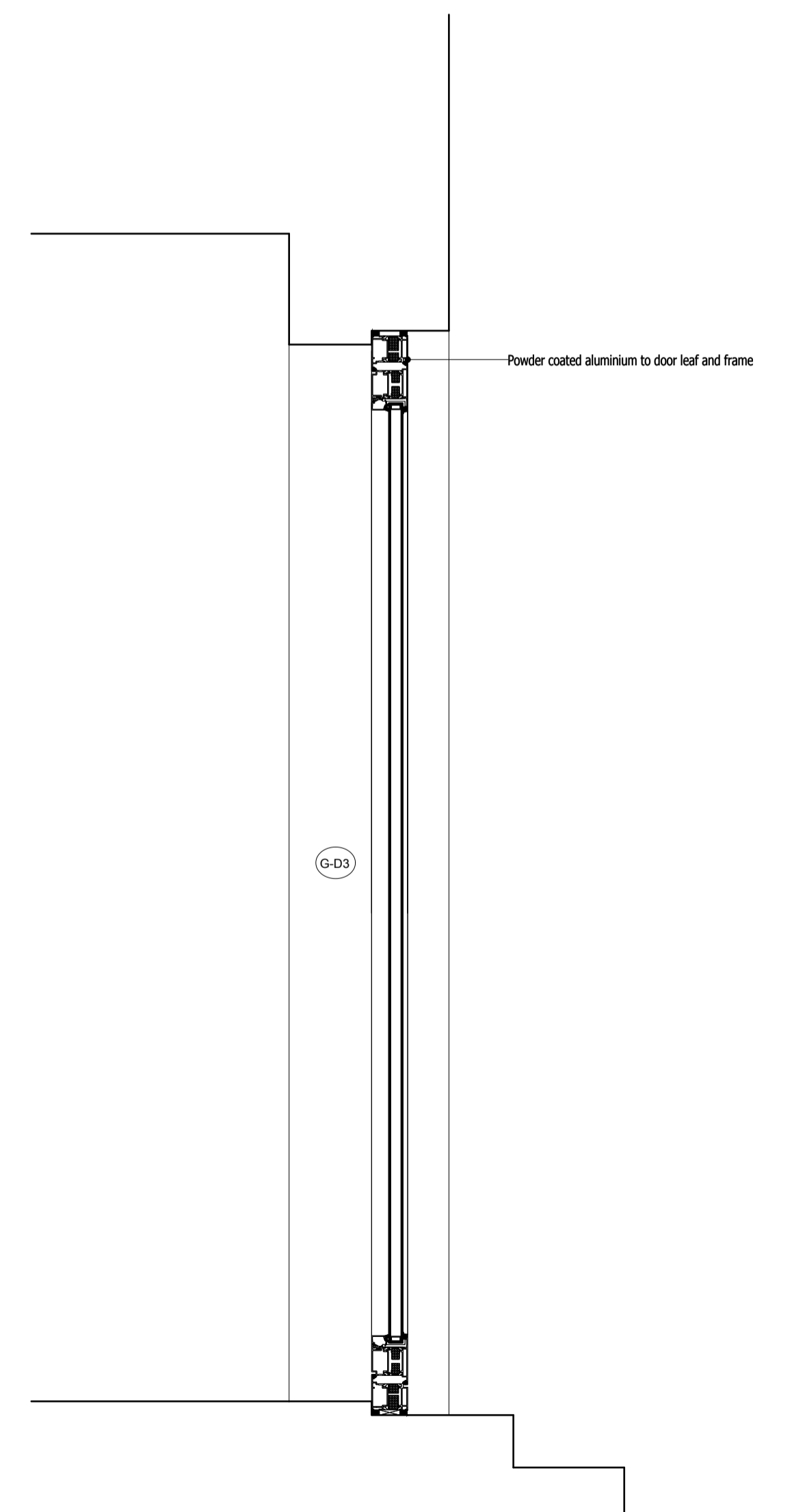
03 Proposed Ground Floor Door G-D03 Plan
scale 1:10 @ A1



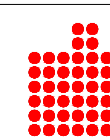
04 Proposed Ground Floor Door G-D01 Section
scale 1:10 @ A1

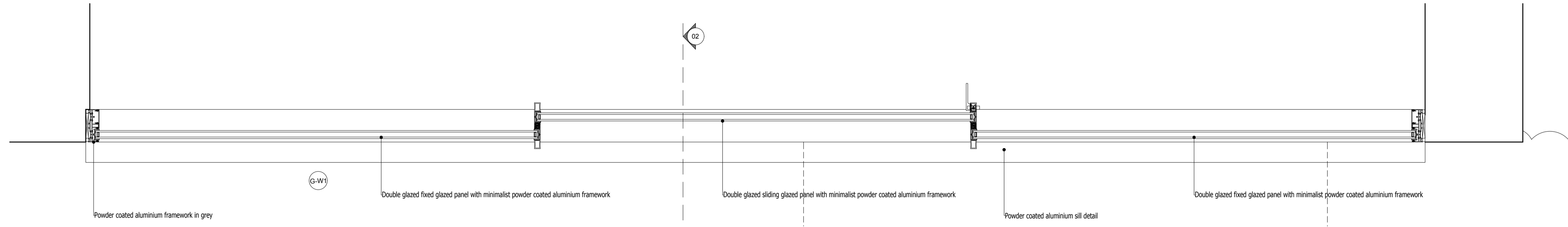
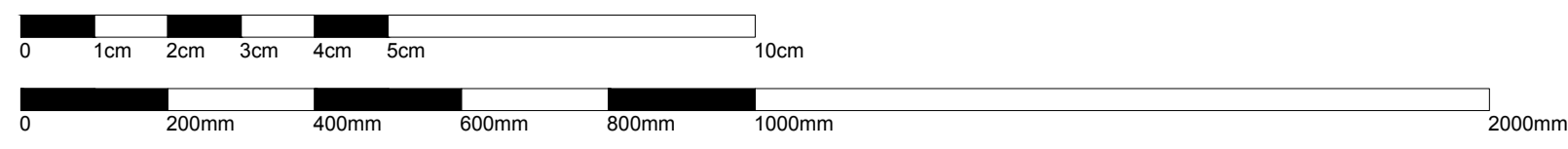


05 Proposed Ground Floor Door G-D02 Section
scale 1:10 @ A1

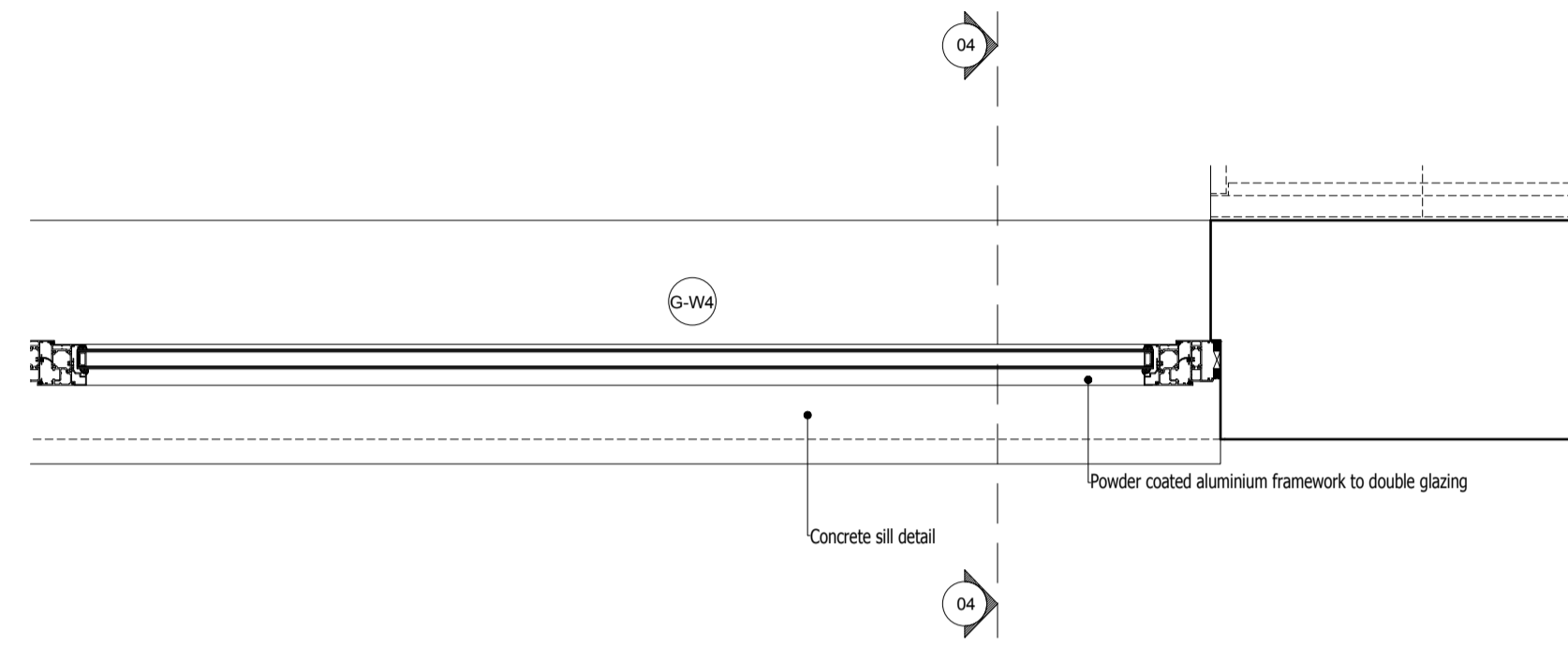


06 Proposed Ground Floor Door G-D03 Section
scale 1:10 @ A1

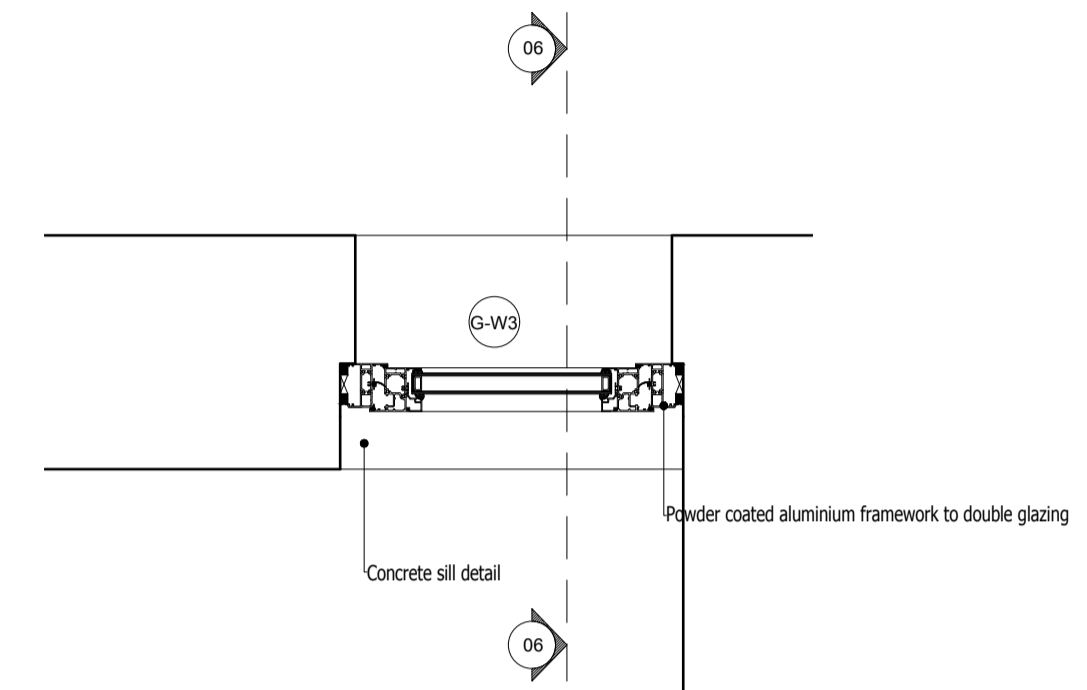




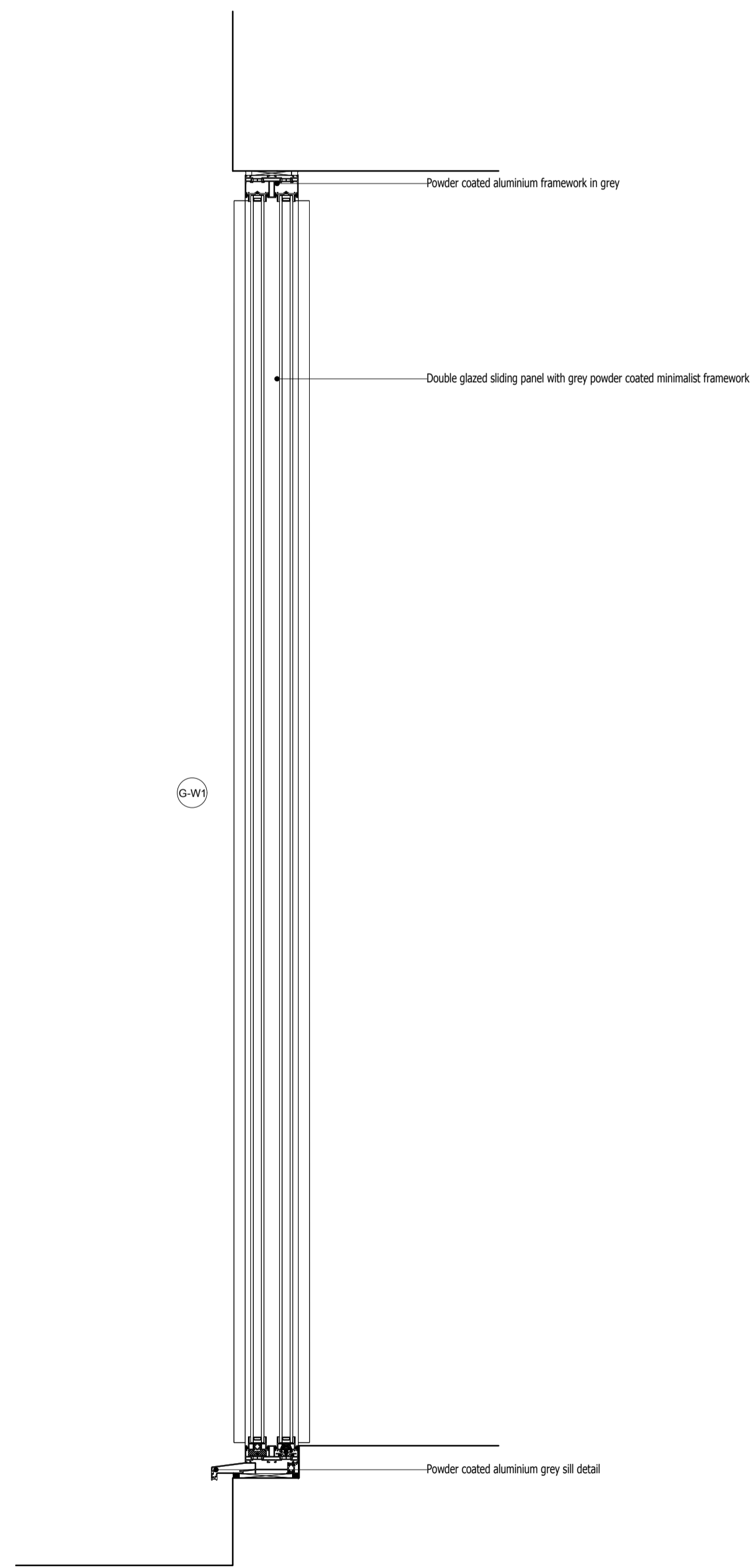
01 Proposed Ground Floor Window G-W1 Plan
scale 1:10 @ A1



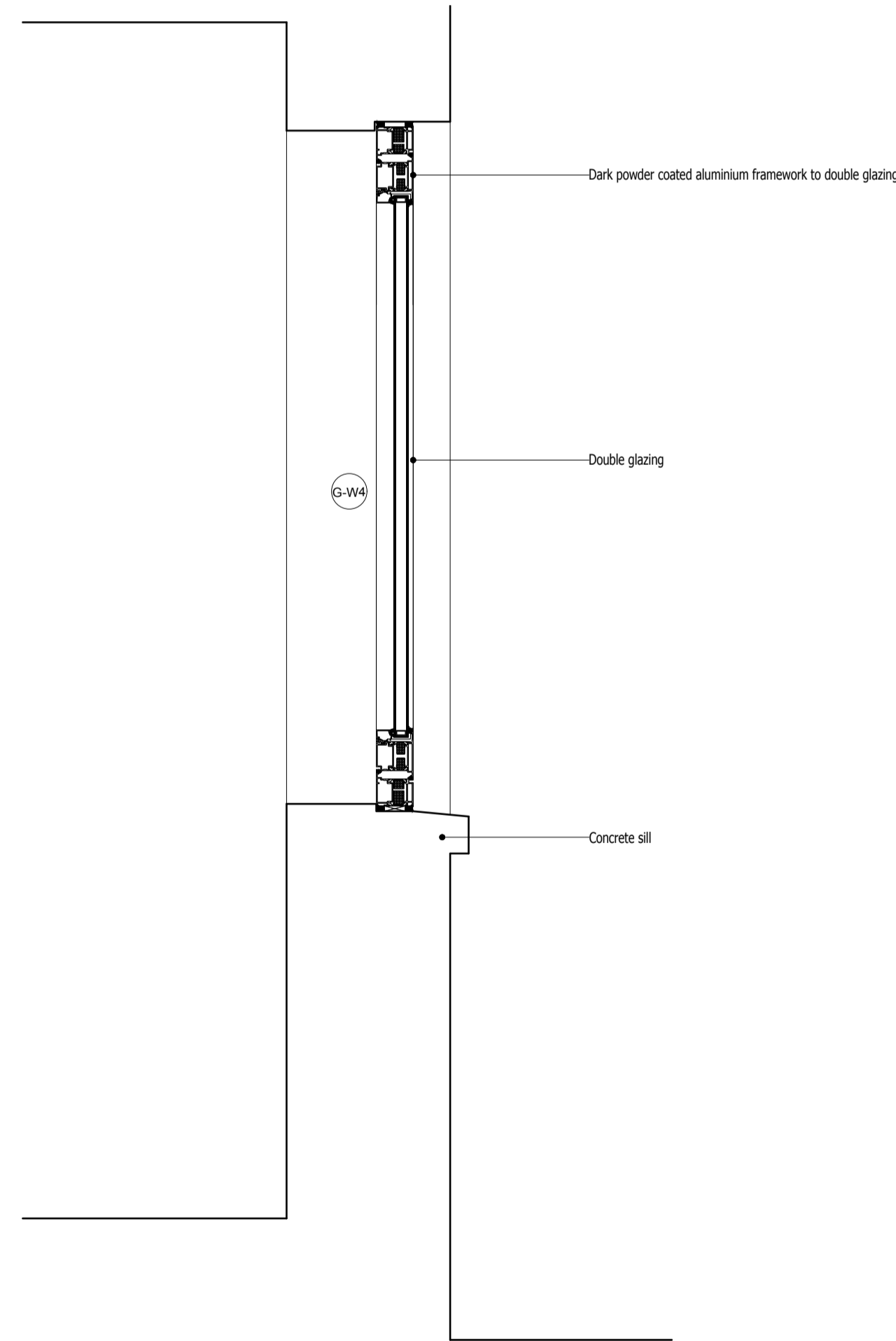
03 Proposed Ground Floor Window G-W4 Plan
scale 1:10 @ A1



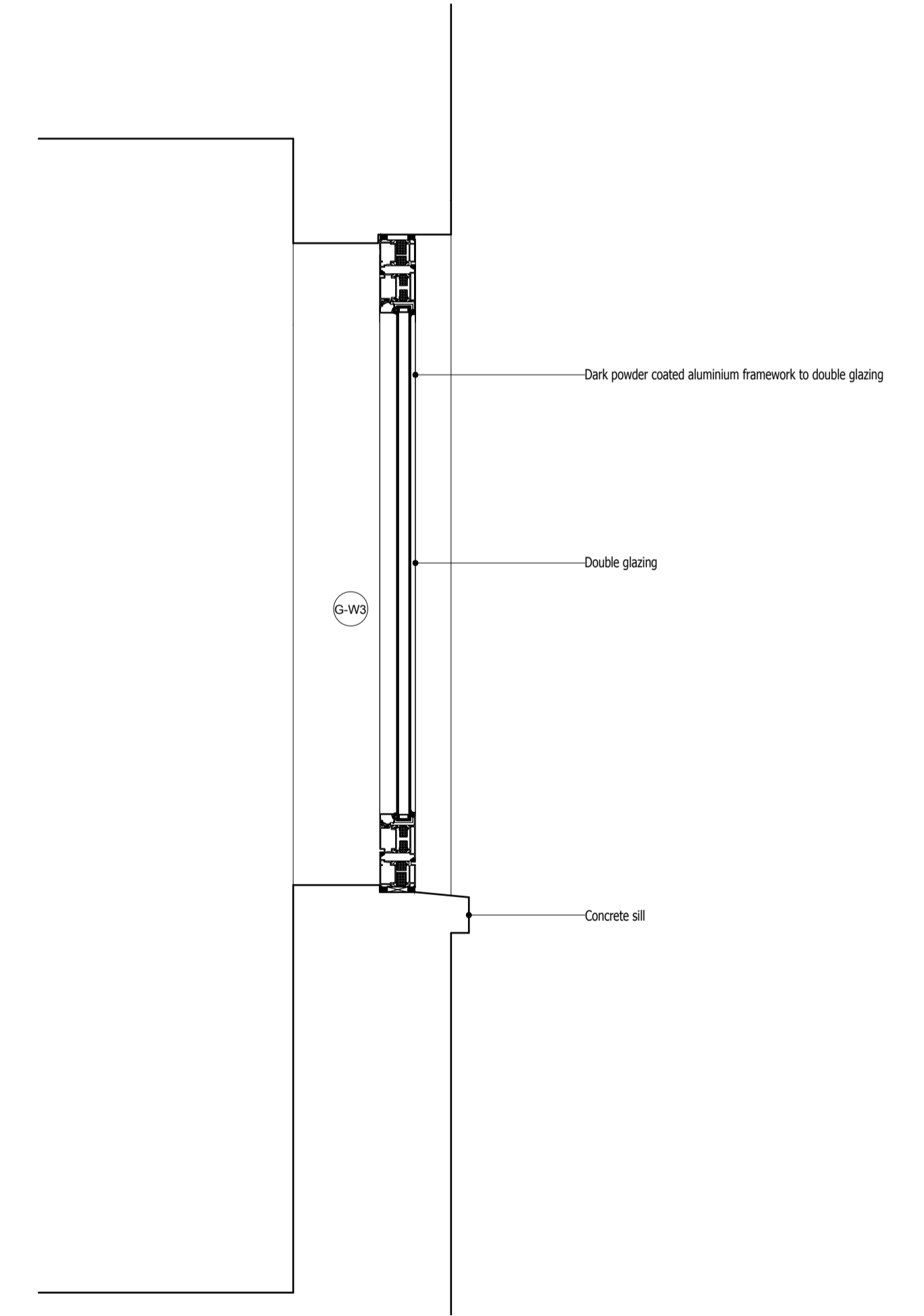
05 Proposed Ground Floor Window G-W3 Plan
scale 1:10 @ A1



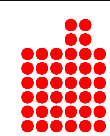
02 Proposed Ground Floor Window G-W1 Section
scale 1:10 @ A1

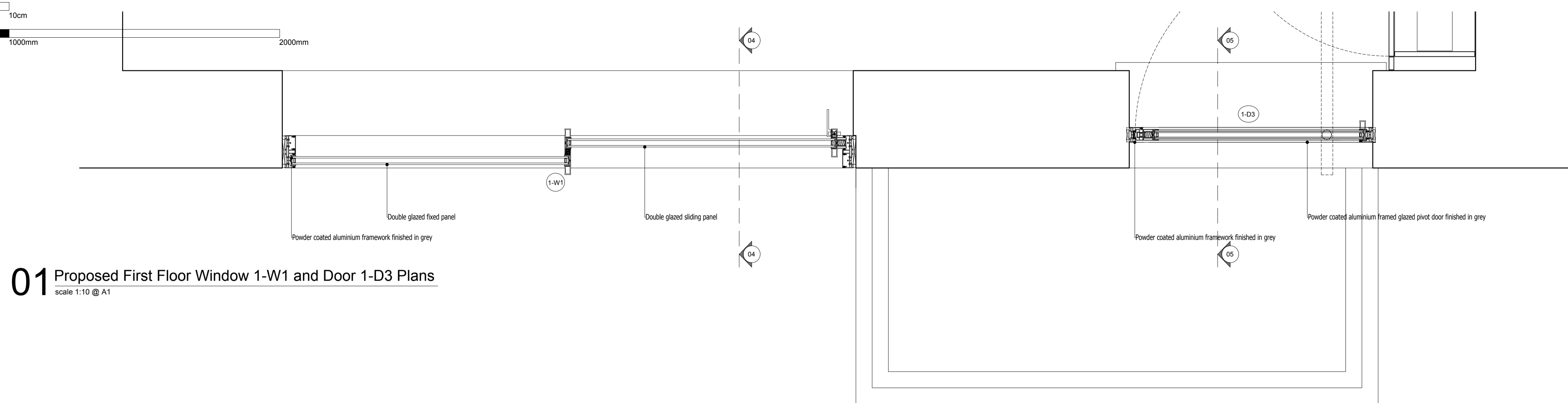
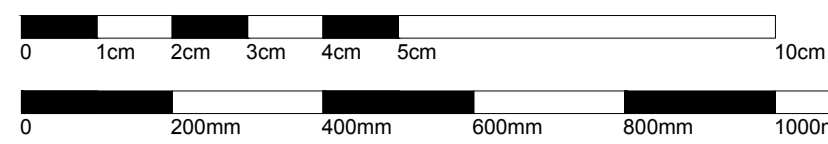


04 Proposed Ground Floor Window G-W4 Section
scale 1:10 @ A1

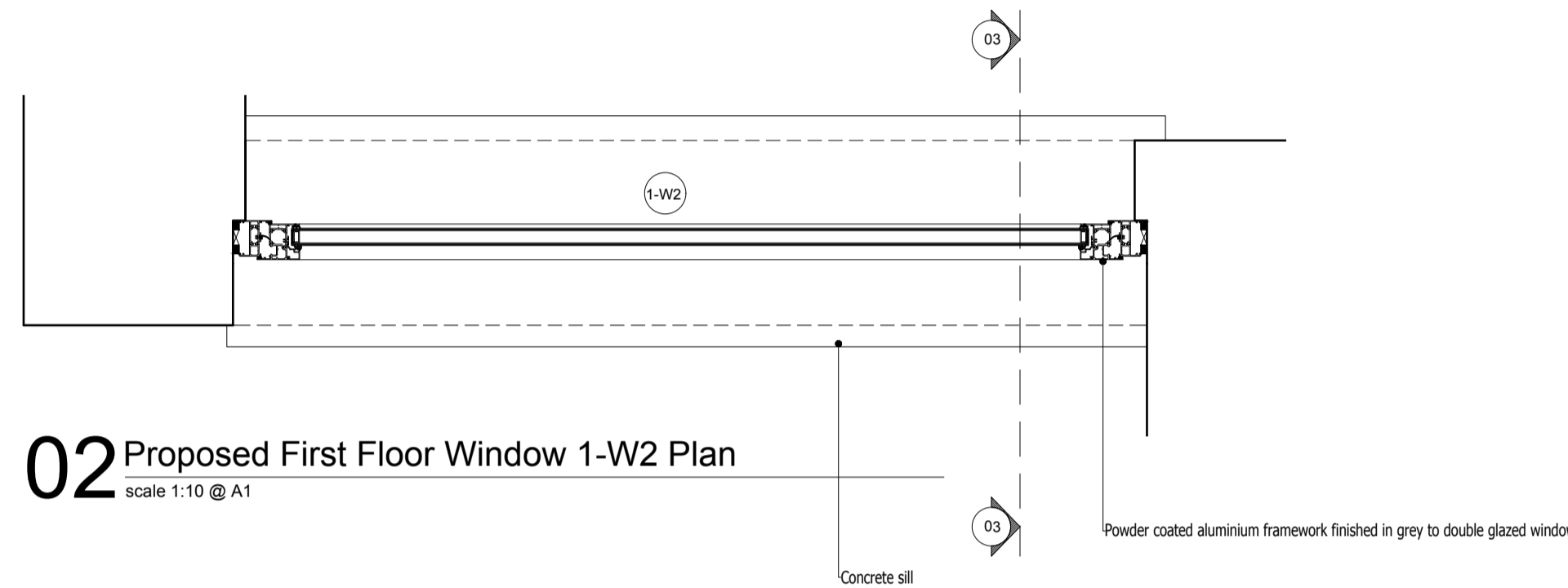


06 Proposed Ground Floor Window G-W3 Section
scale 1:10 @ A1

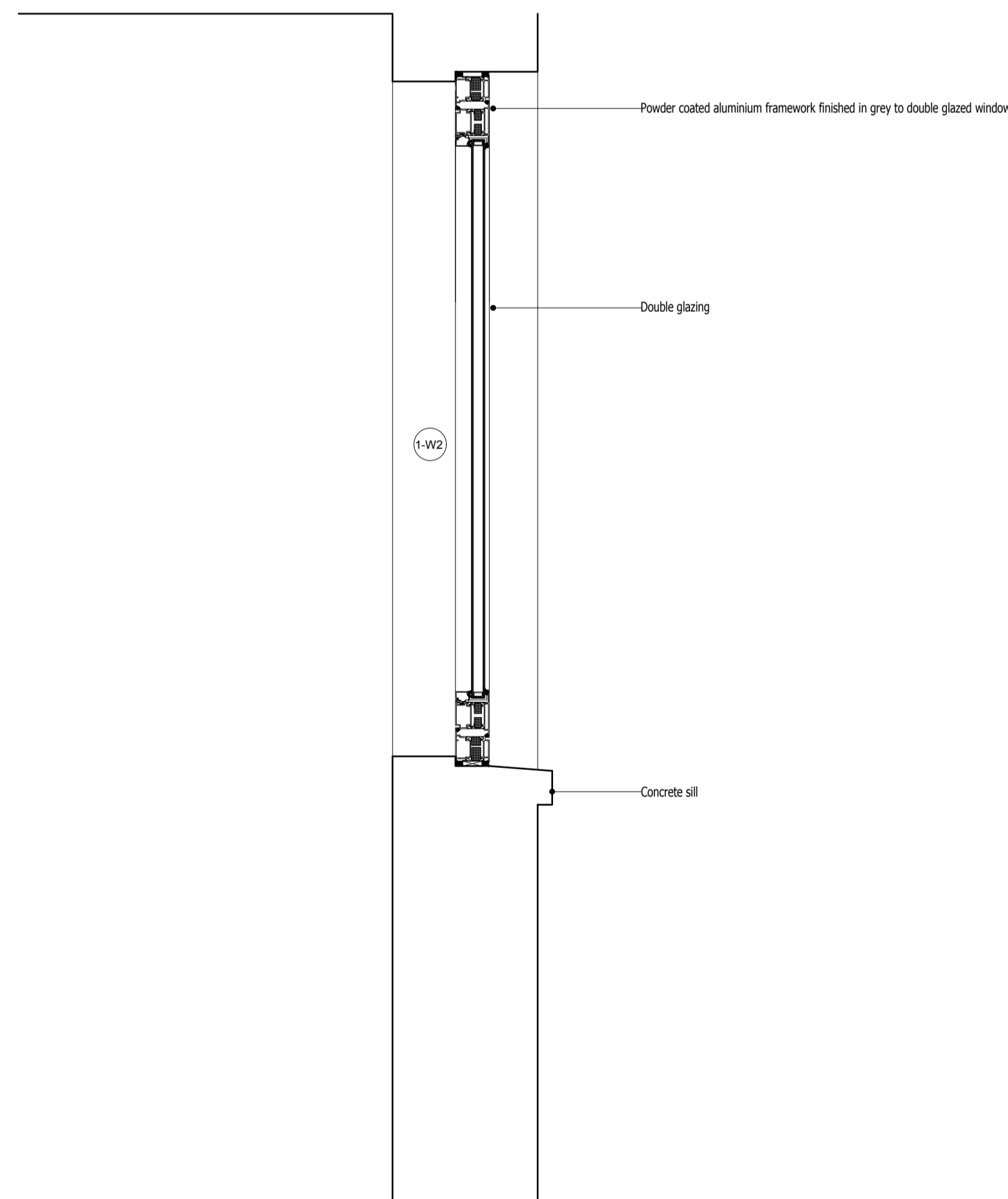




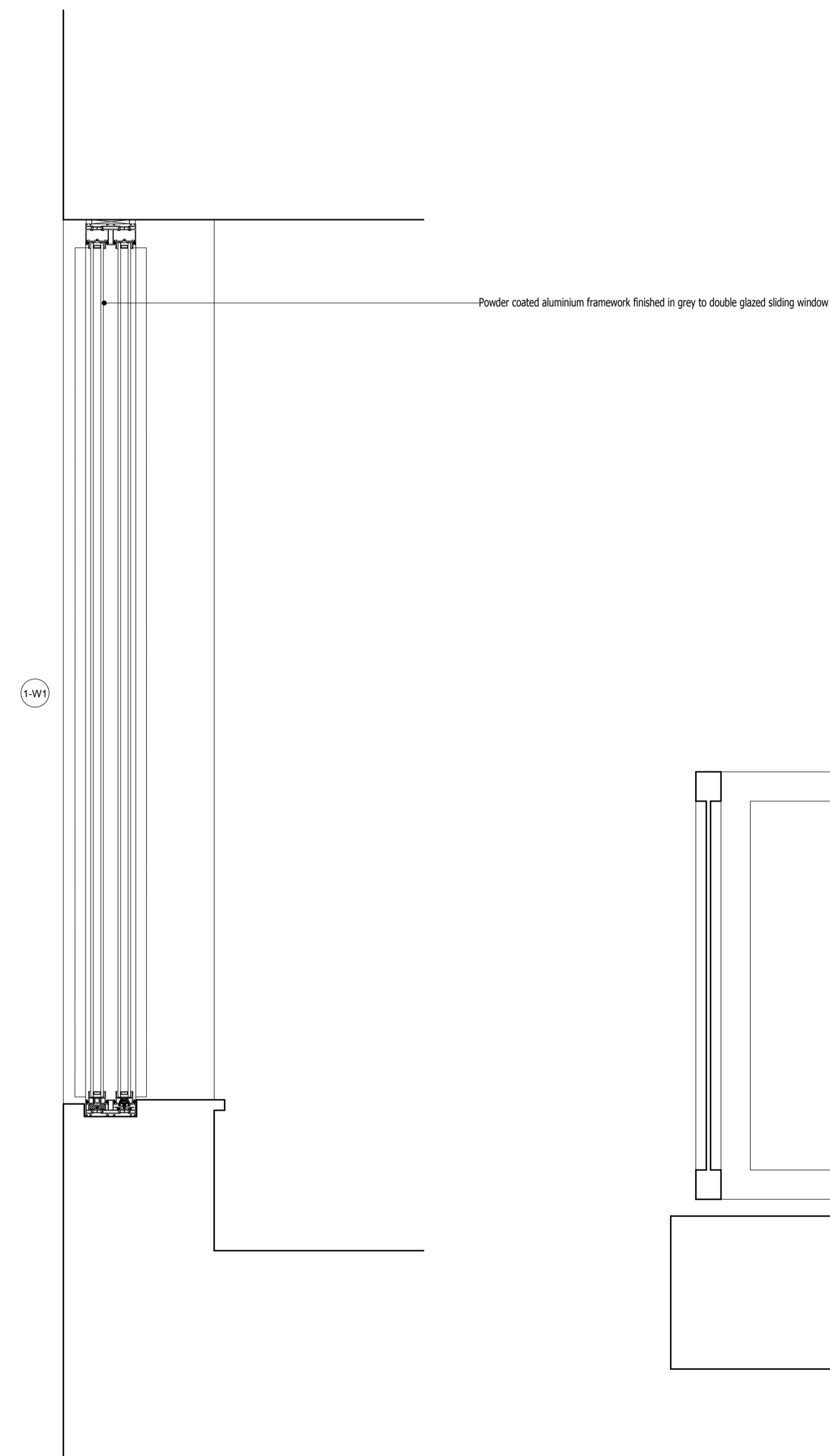
01 Proposed First Floor Window 1-W1 and Door 1-D3 Plans
scale 1:10 @ A1



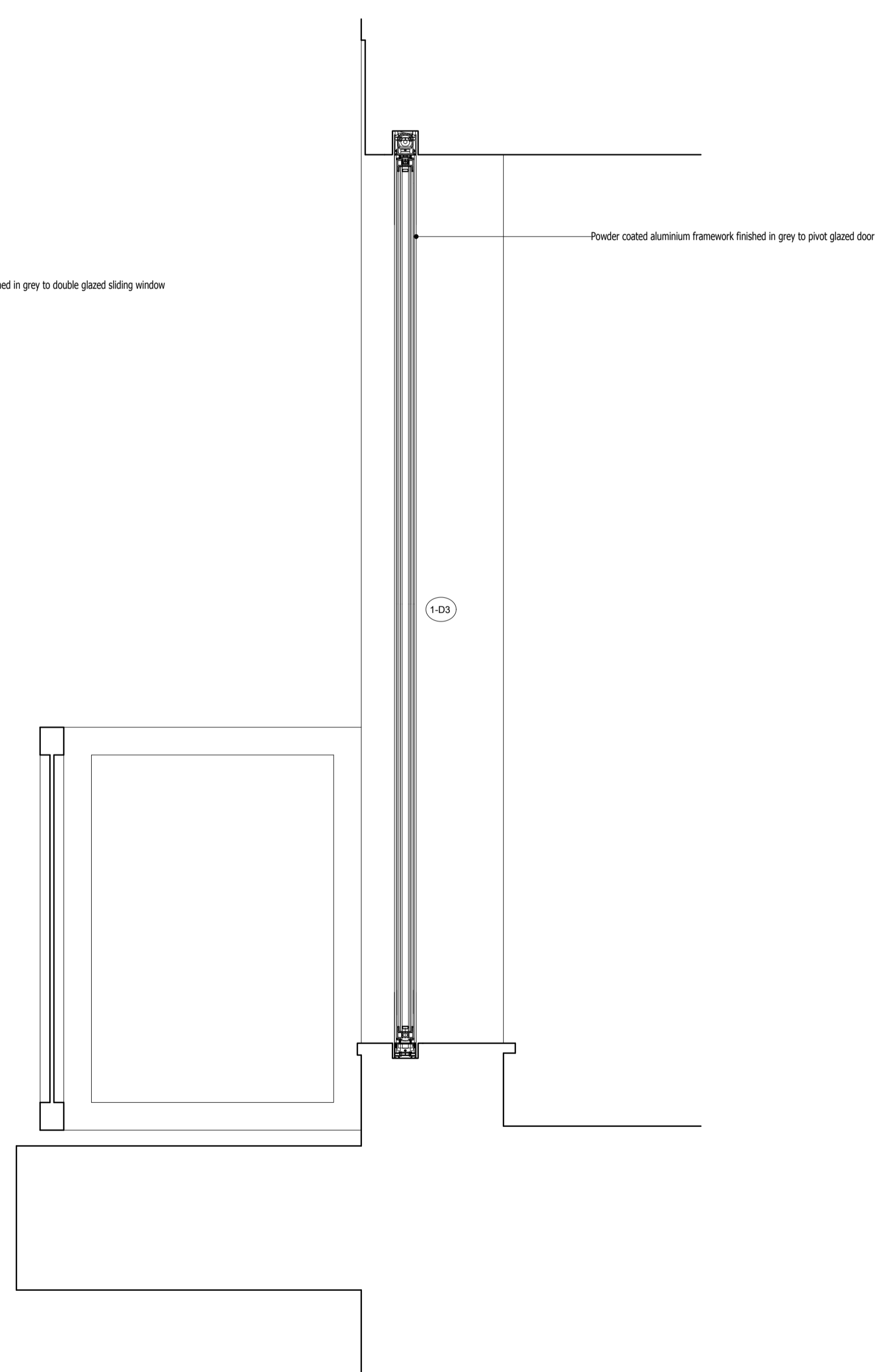
02 Proposed First Floor Window 1-W2 Plan
scale 1:10 @ A1



03 Proposed First Floor Window 1-W2 Section
scale 1:10 @ A1

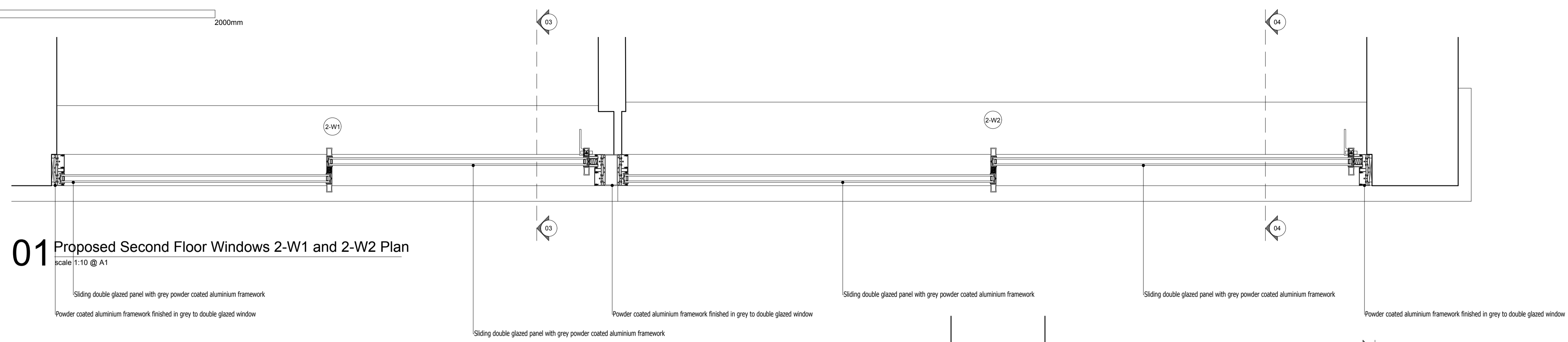
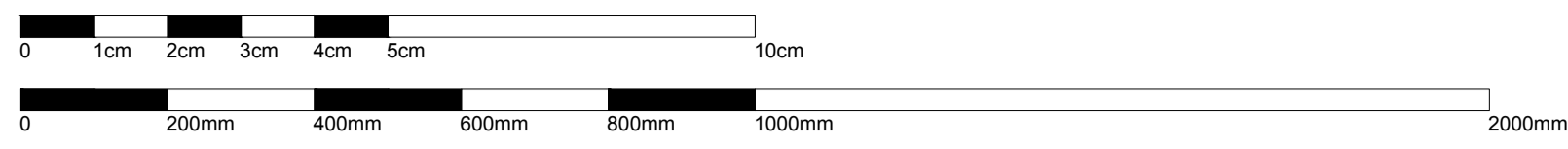


04 Proposed First Floor Window 1-W1 Section
scale 1:10 @ A1



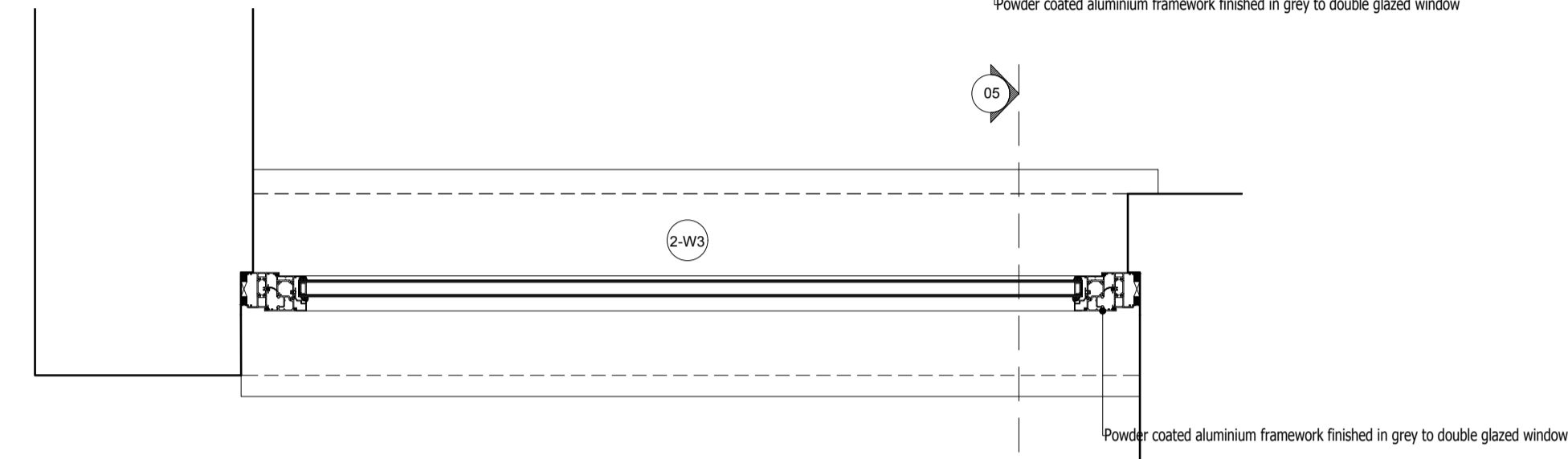
05 Proposed First Floor Door 1-D3 Section
scale 1:10 @ A1





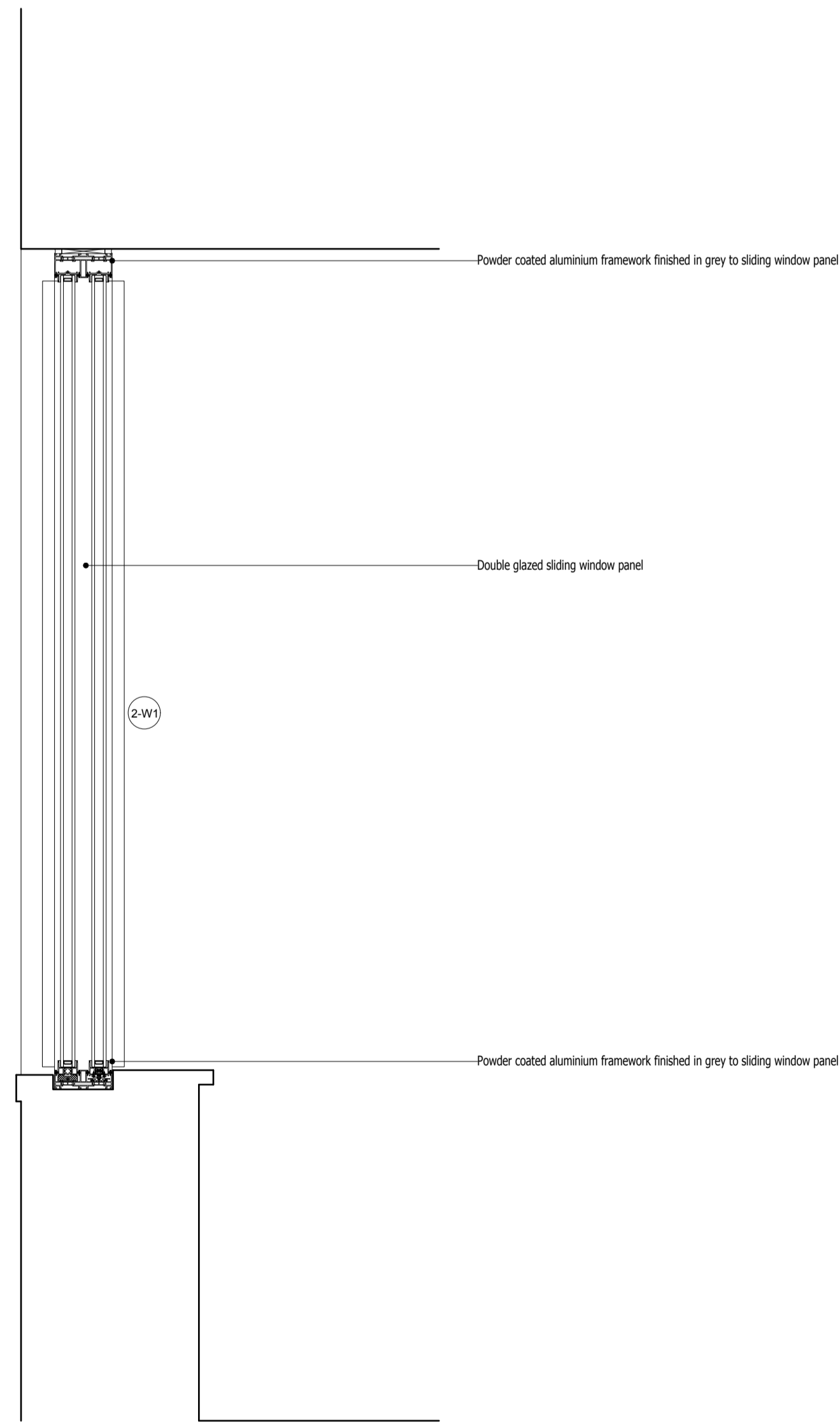
01 Proposed Second Floor Windows 2-W1 and 2-W2 Plan
scale 1:10 @ A1

Sliding double glazed panel with grey powder coated aluminium framework
 Powder coated aluminium framework finished in grey to double glazed window
 Sliding double glazed panel with grey powder coated aluminium framework
 Powder coated aluminium framework finished in grey to double glazed window
 Sliding double glazed panel with grey powder coated aluminium framework
 Powder coated aluminium framework finished in grey to double glazed window
 Sliding double glazed panel with grey powder coated aluminium framework
 Powder coated aluminium framework finished in grey to double glazed window



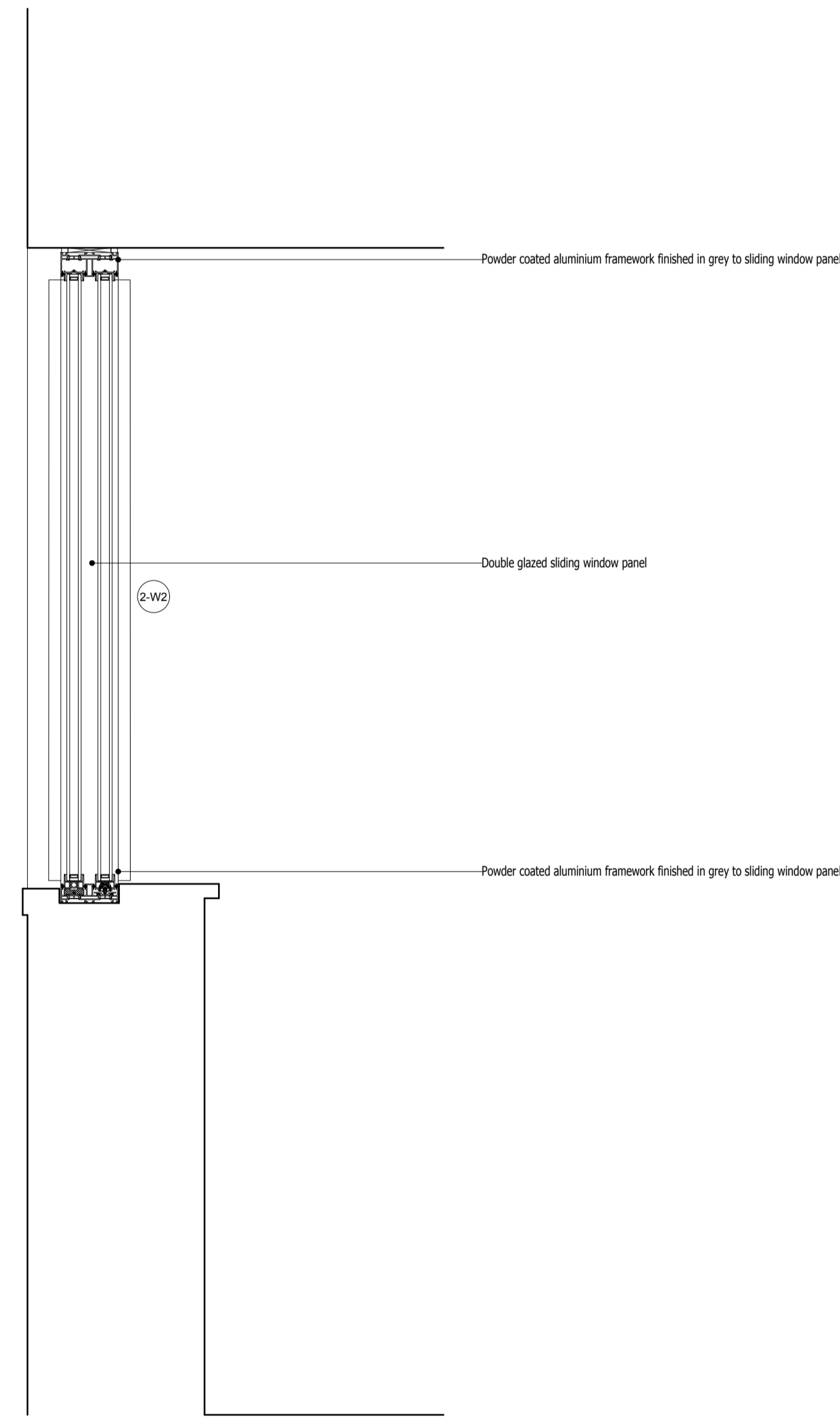
02 Proposed Second Floor Window 2-W3 Plan
scale 1:10 @ A1

Powder coated aluminium framework finished in grey to double glazed window



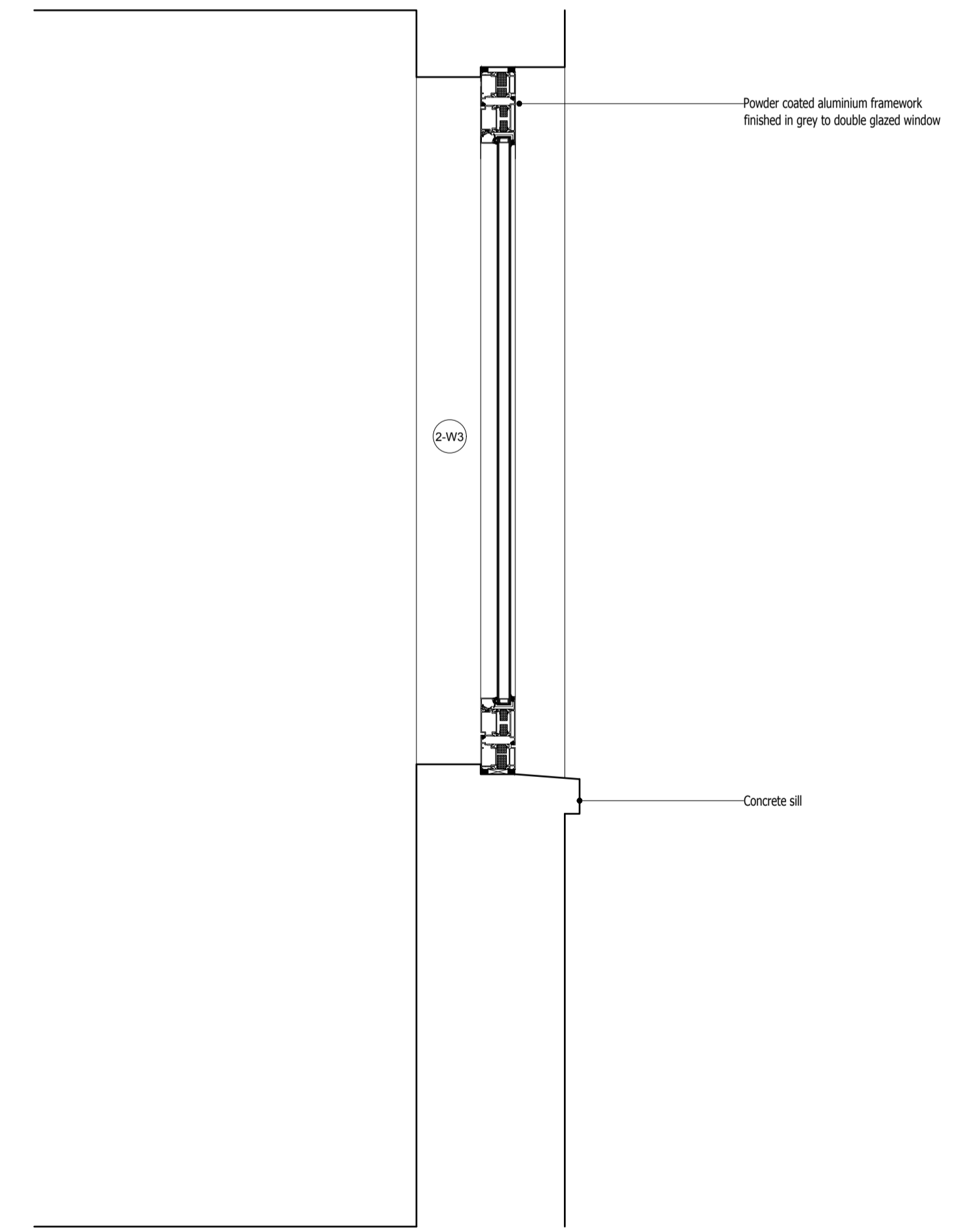
03 Proposed Second Floor Window 2-W1 Section
scale 1:10 @ A1

Powder coated aluminium framework finished in grey to sliding window panel
 Double glazed sliding window panel
 Powder coated aluminium framework finished in grey to sliding window panel



04 Proposed Second Floor Window 2-W2 Section
scale 1:10 @ A1

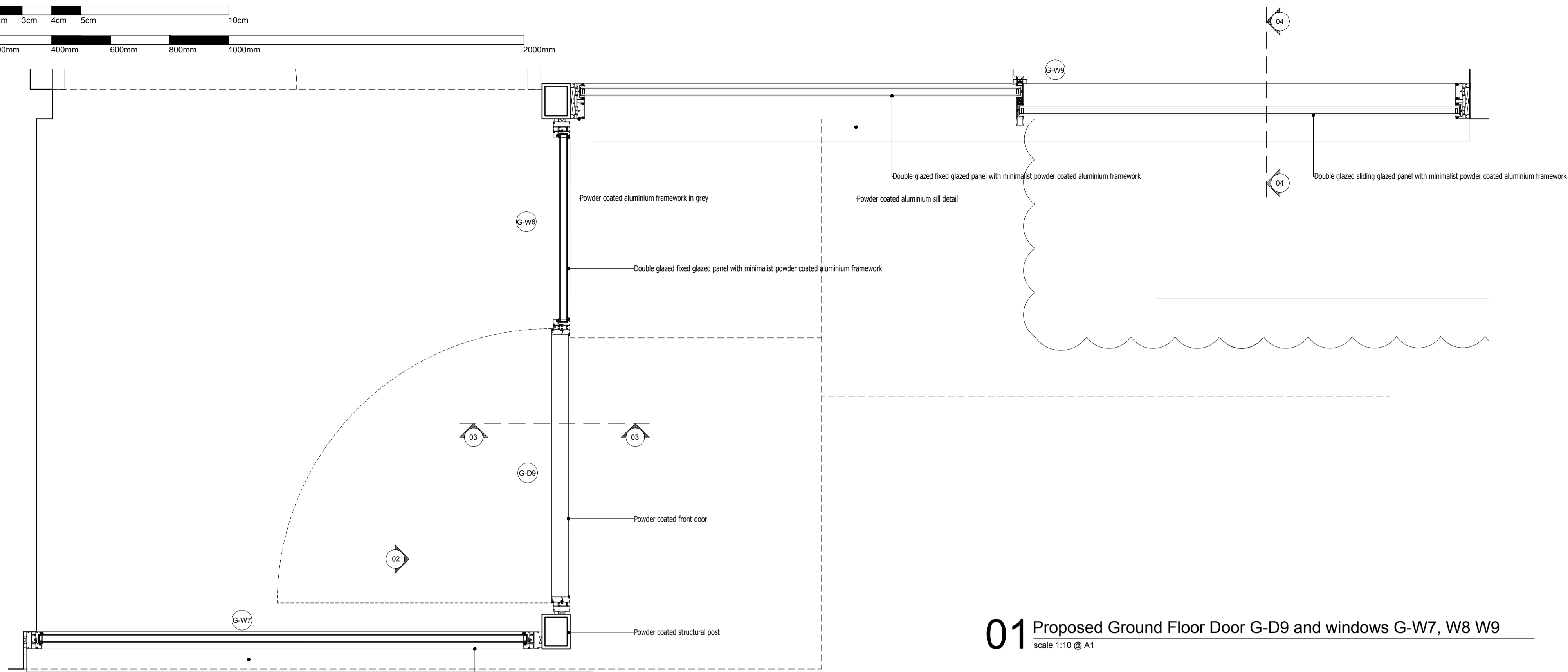
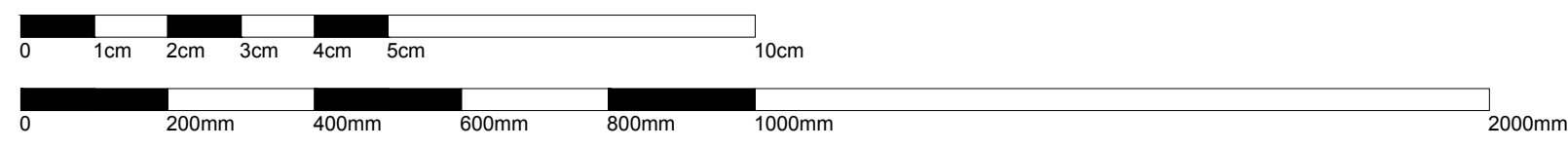
Powder coated aluminium framework finished in grey to sliding window panel
 Double glazed sliding window panel
 Powder coated aluminium framework finished in grey to sliding window panel



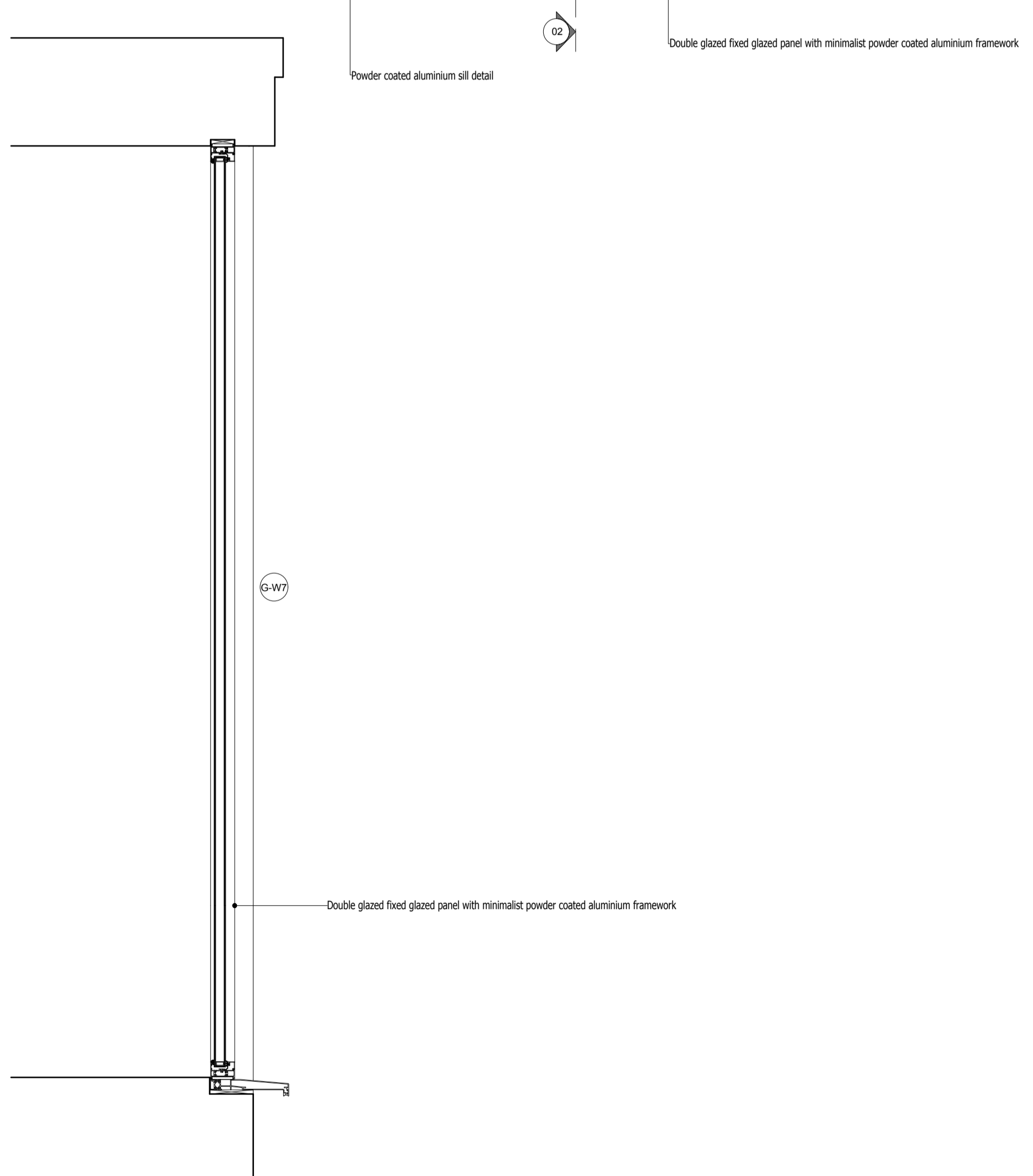
05 Proposed Second Floor Window 2-W3 Section
scale 1:10 @ A1

Powder coated aluminium framework finished in grey to double glazed window
 Concrete sill

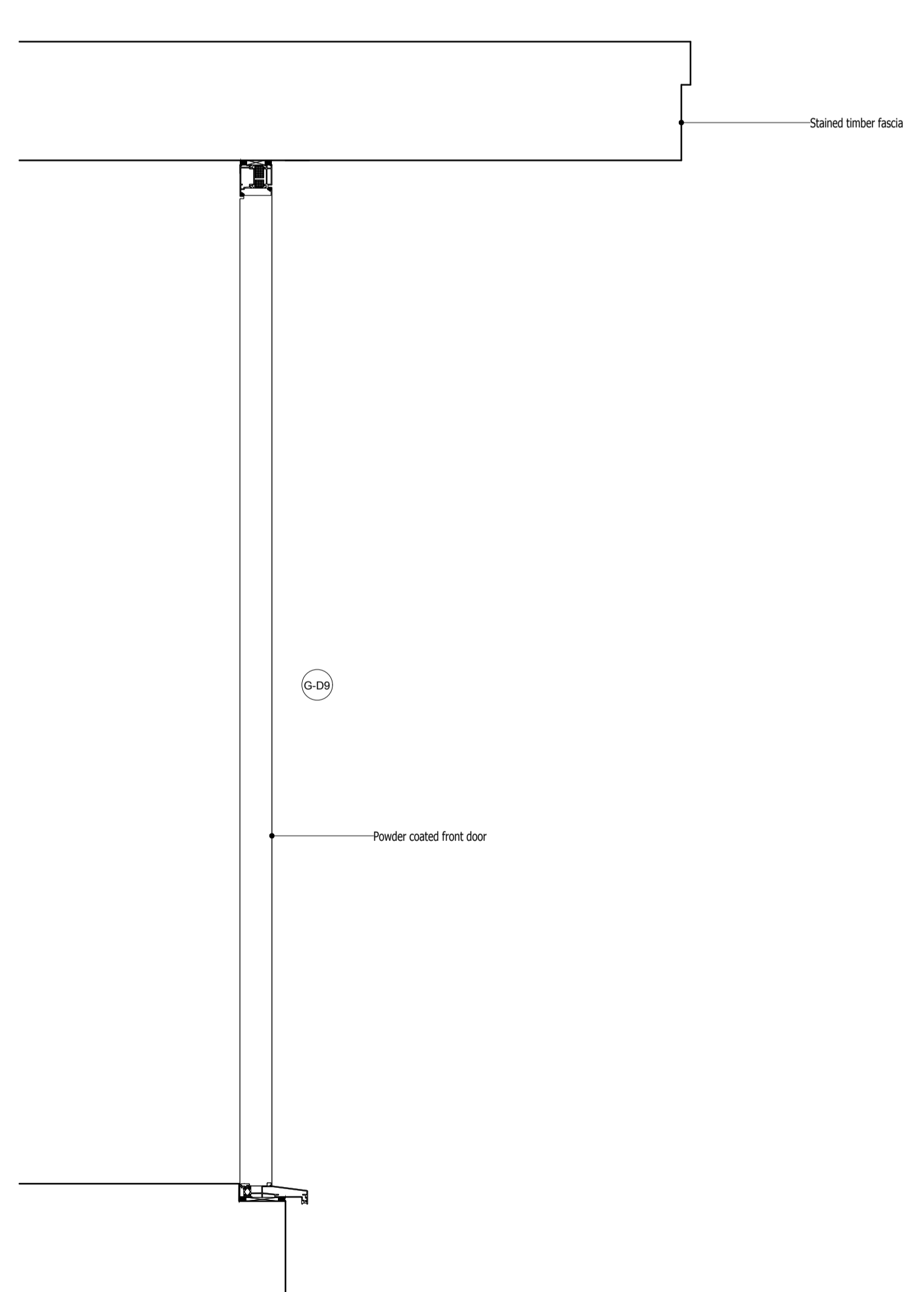




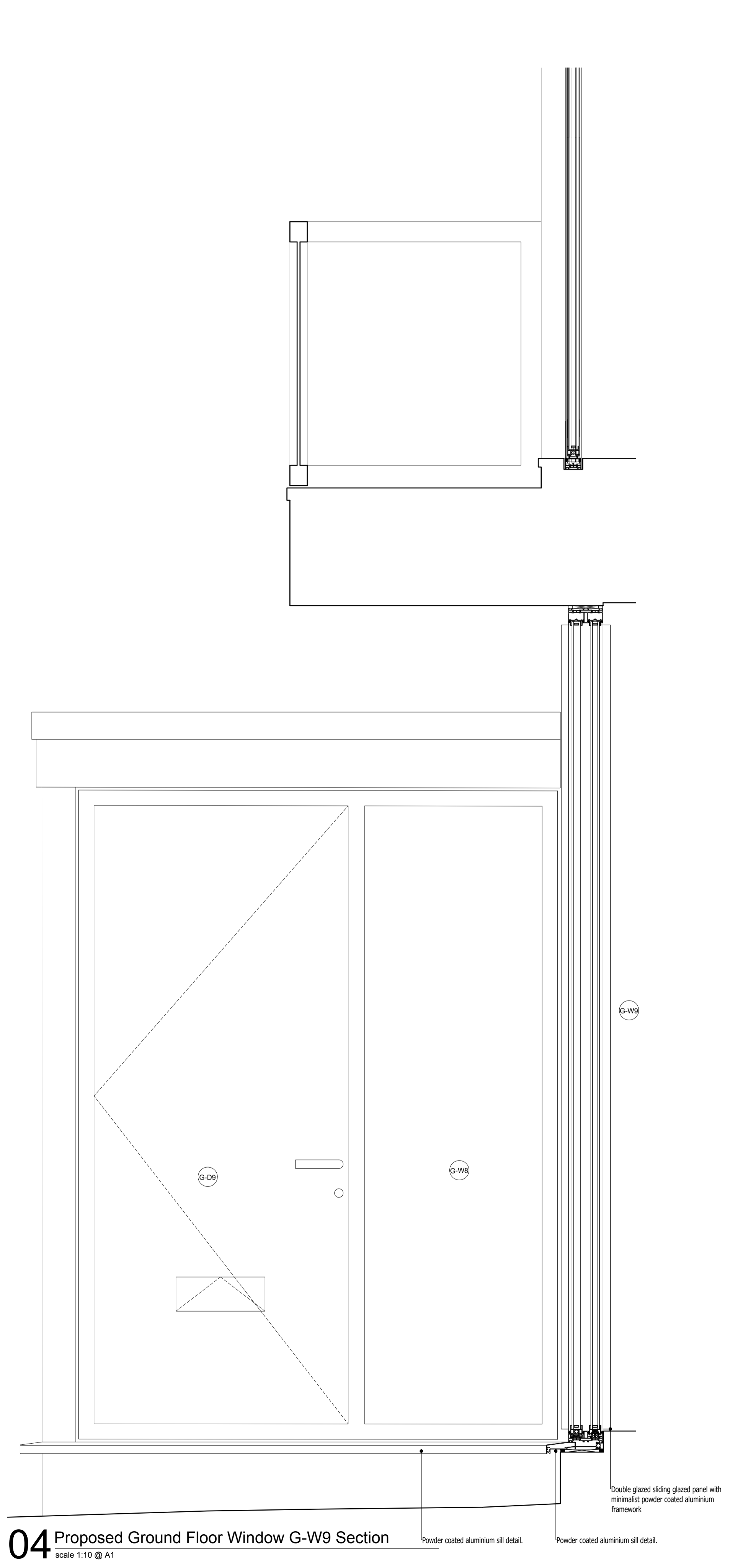
01 Proposed Ground Floor Door G-D9 and windows G-W7, W8 W9
scale 1:10 @ A1



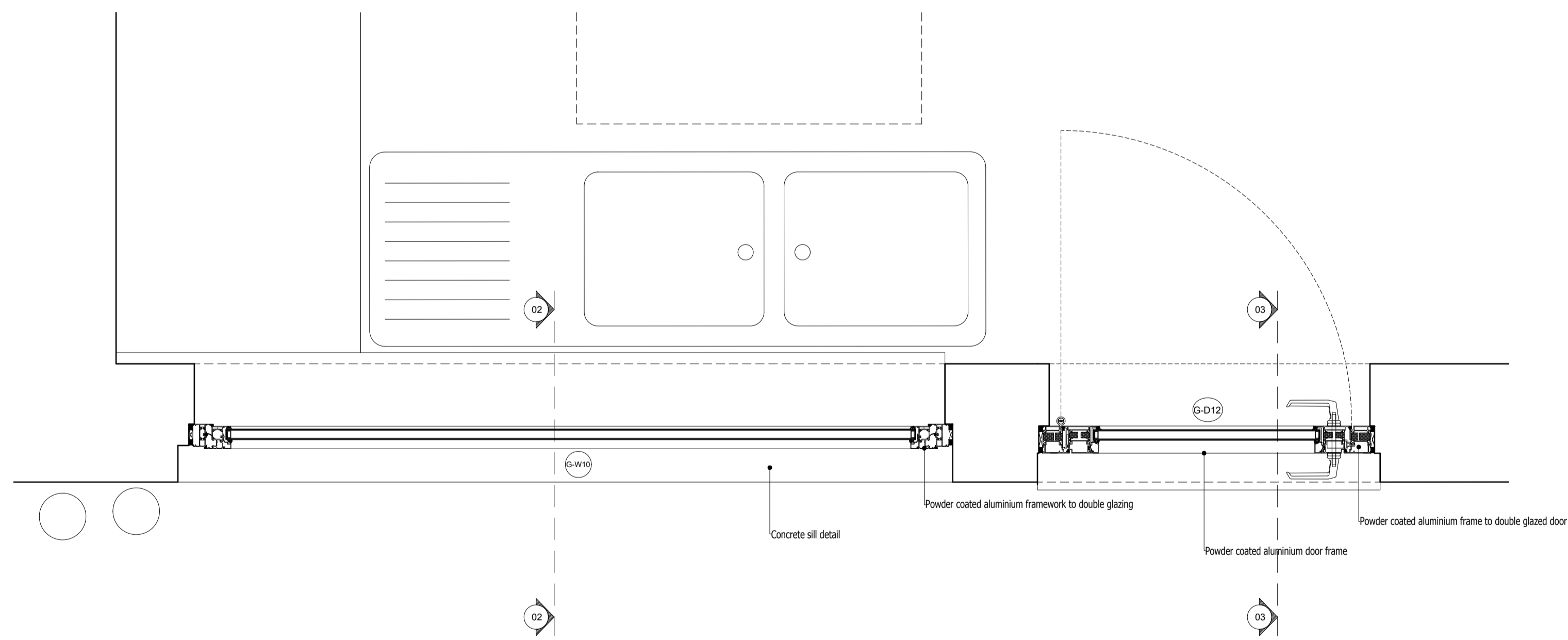
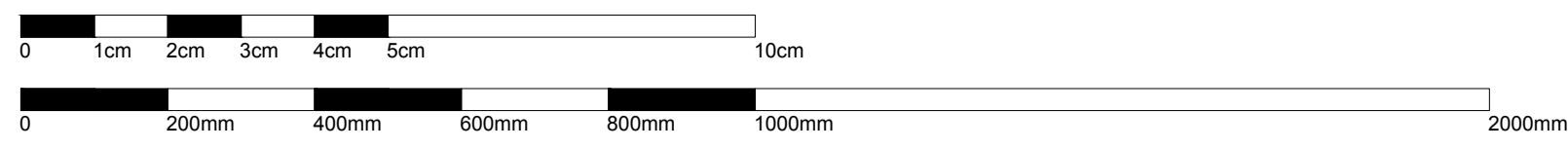
02 Proposed Ground Floor Window G-W7 Section
scale 1:10 @ A1



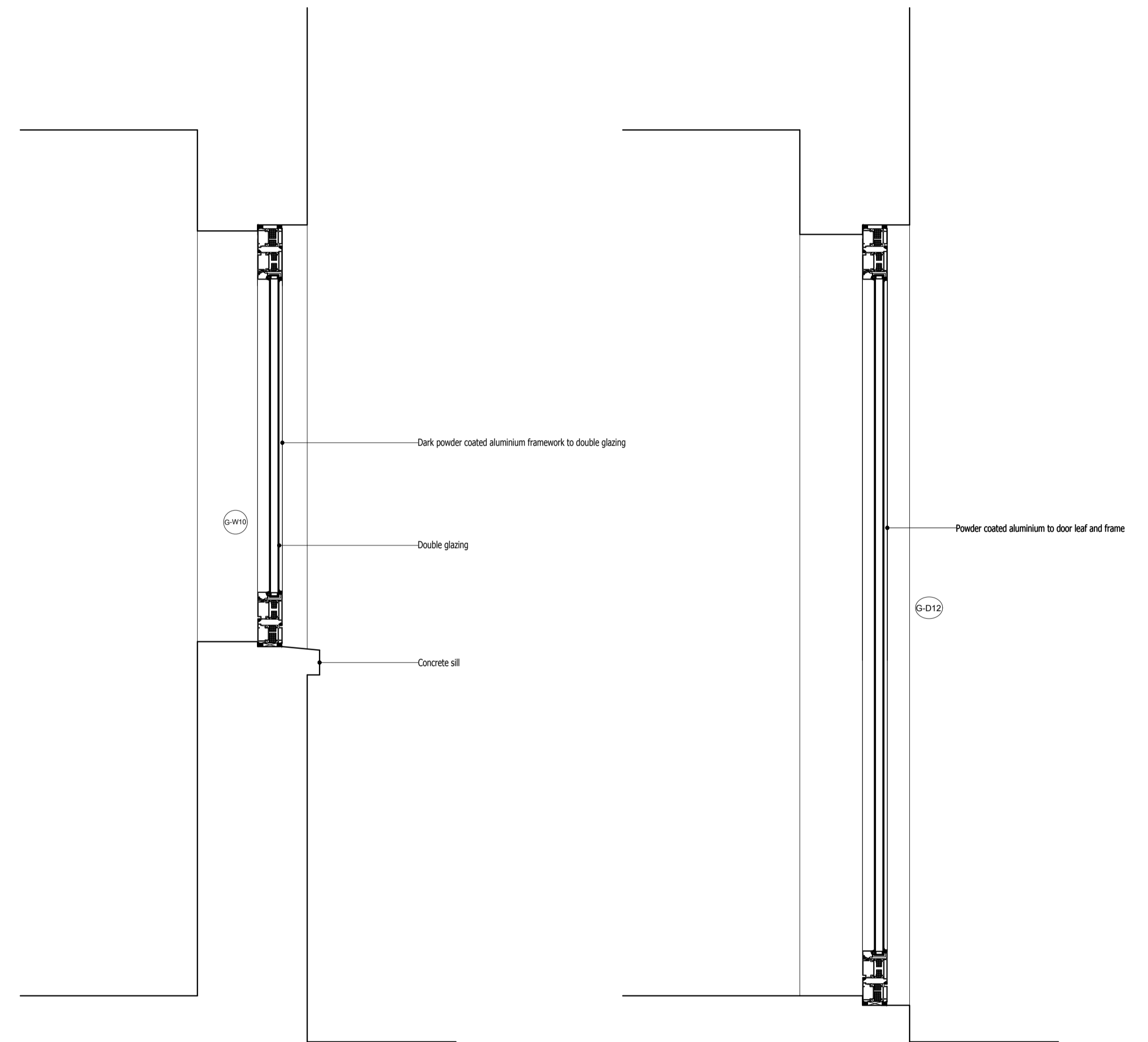
03 Proposed Ground Floor Door G-D9 Section
scale 1:10 @ A1



04 Proposed Ground Floor Window G-W9 Section
scale 1:10 @ A1

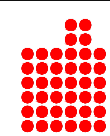


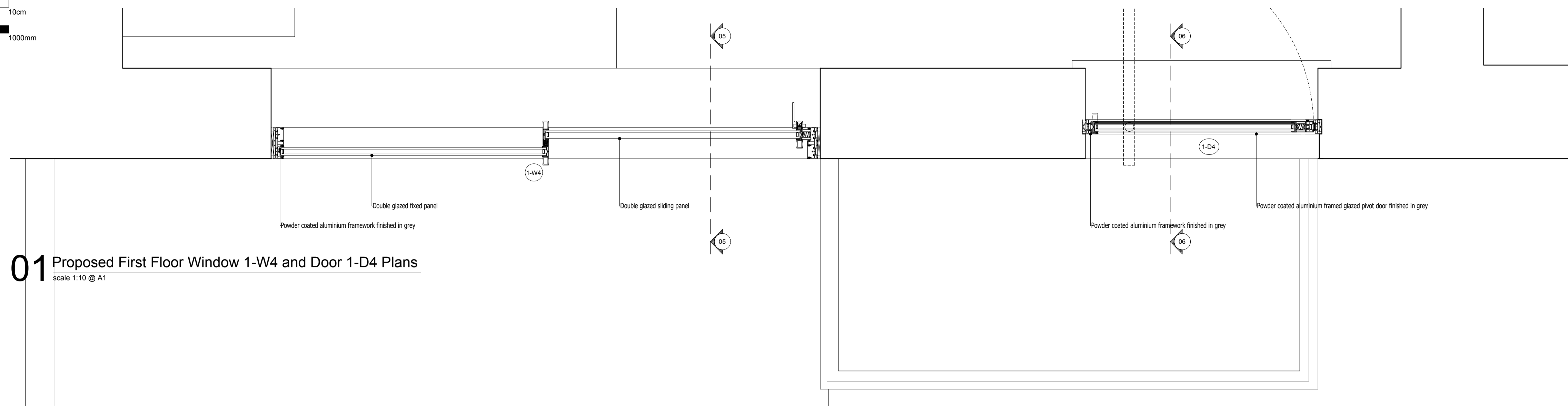
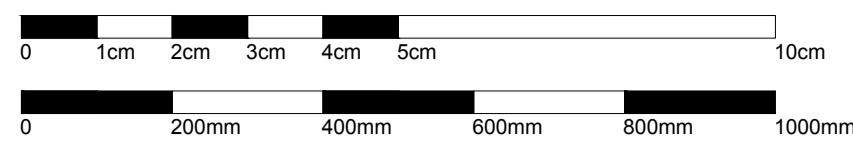
01 Proposed Ground Floor Window G-W10 Plan
scale 1:10 @ A1



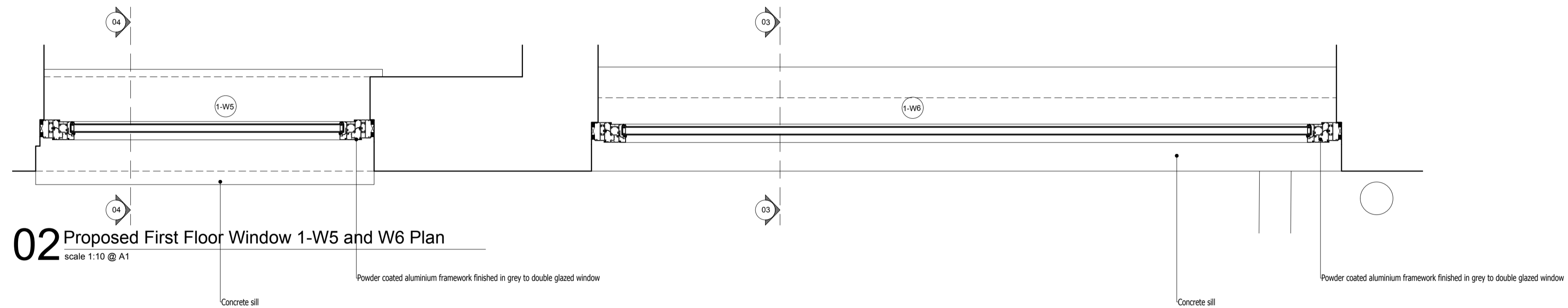
02 Proposed Ground Floor Window G-W10 Section
scale 1:10 @ A1

03 Proposed Ground Floor Door G-D12
scale 1:10 @ A1

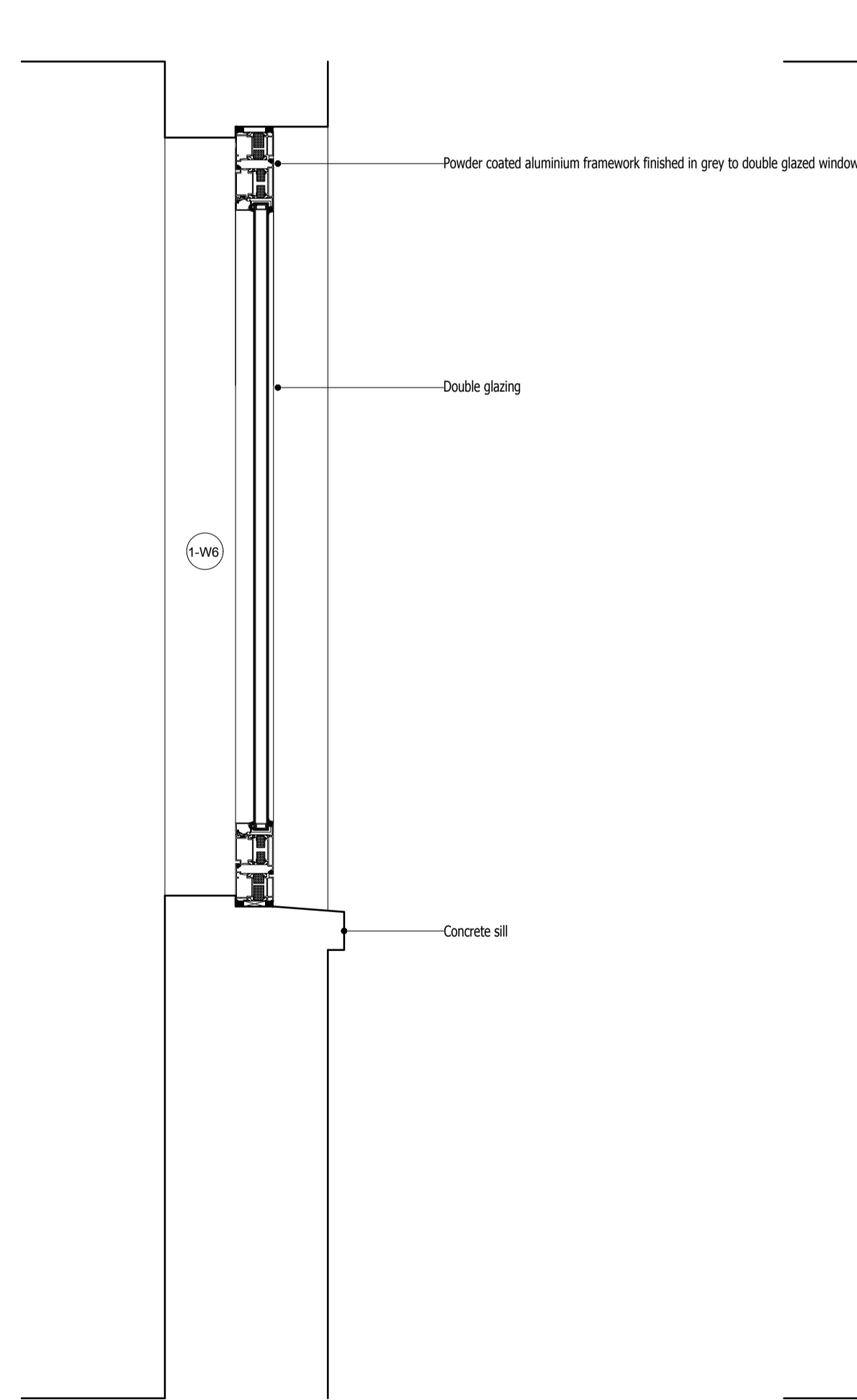




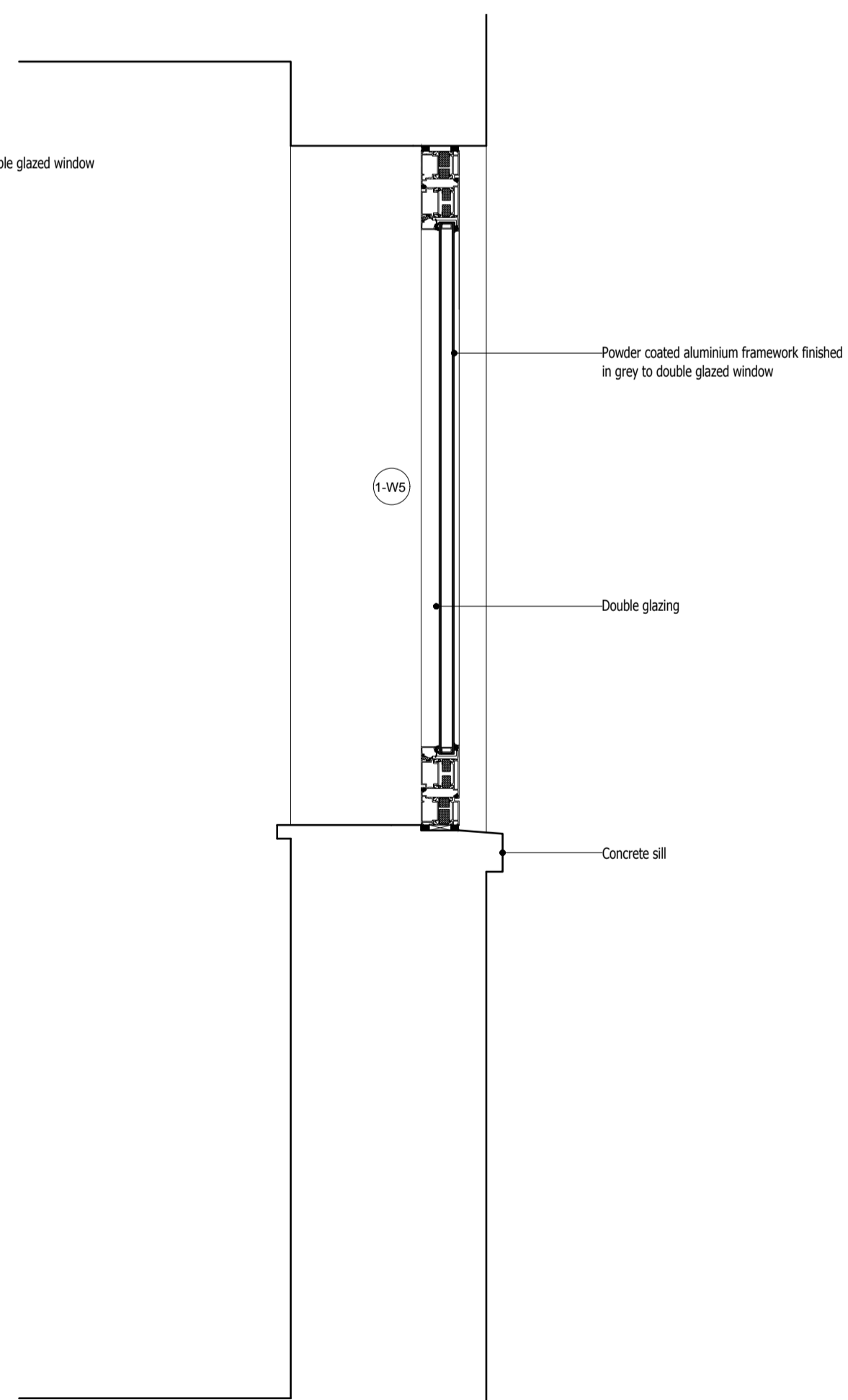
01 Proposed First Floor Window 1-W4 and Door 1-D4 Plans
scale 1:10 @ A1



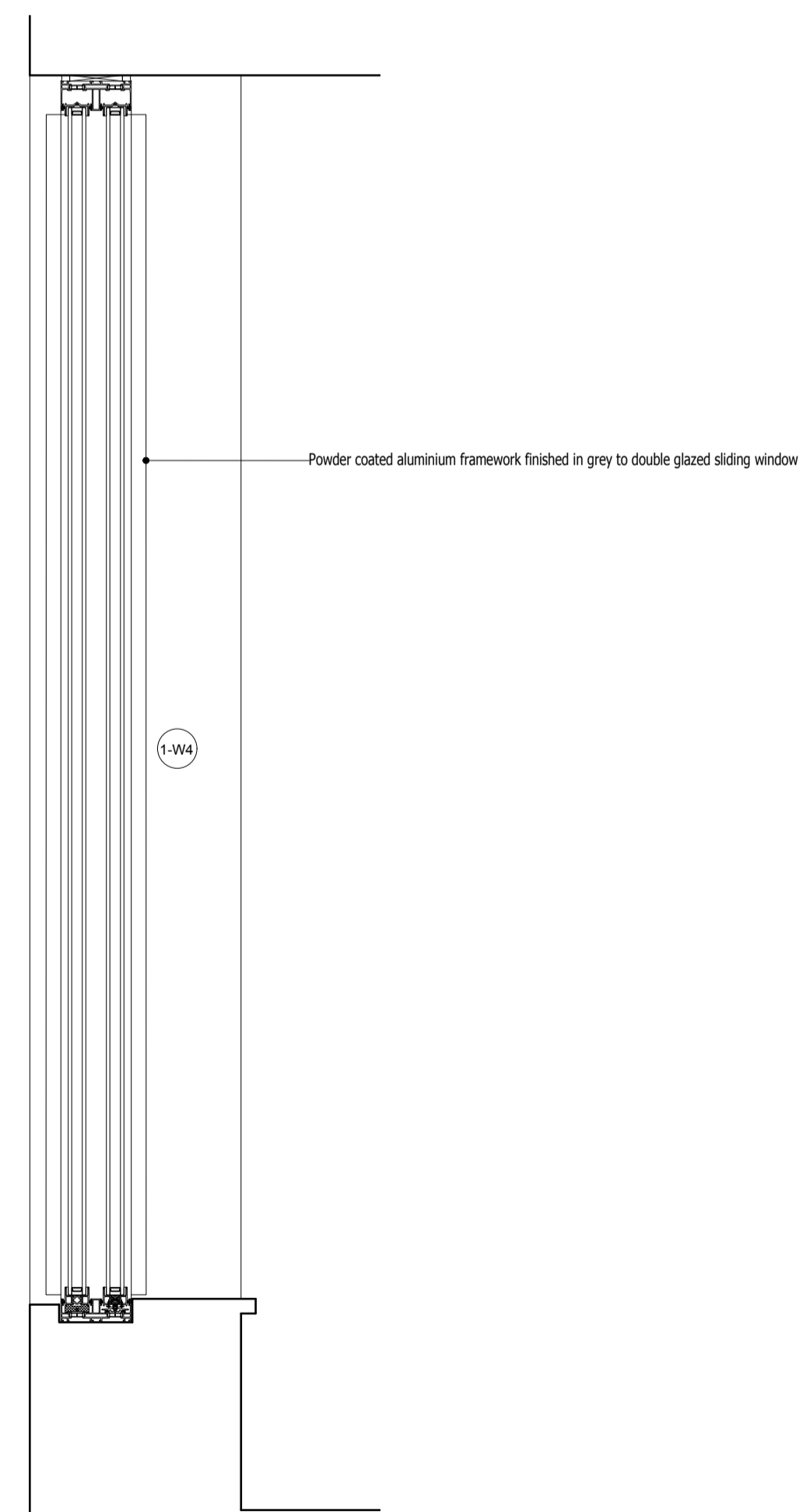
02 Proposed First Floor Window 1-W5 and W6 Plan
scale 1:10 @ A1



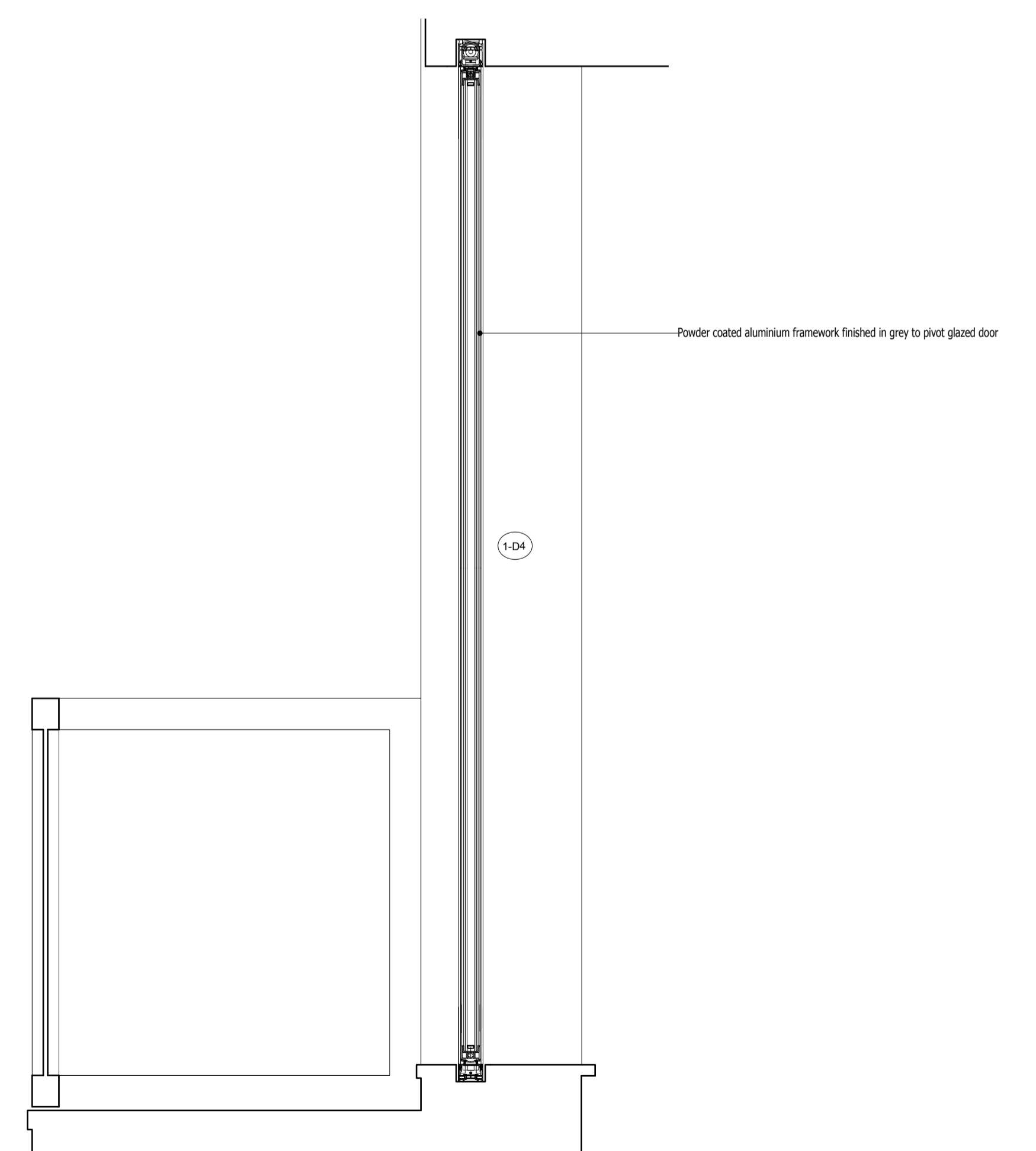
03 Proposed First Floor Window 1-W6 Section
scale 1:10 @ A1



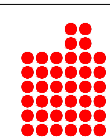
04 Proposed First Floor Window 1-W5 Section
scale 1:10 @ A1

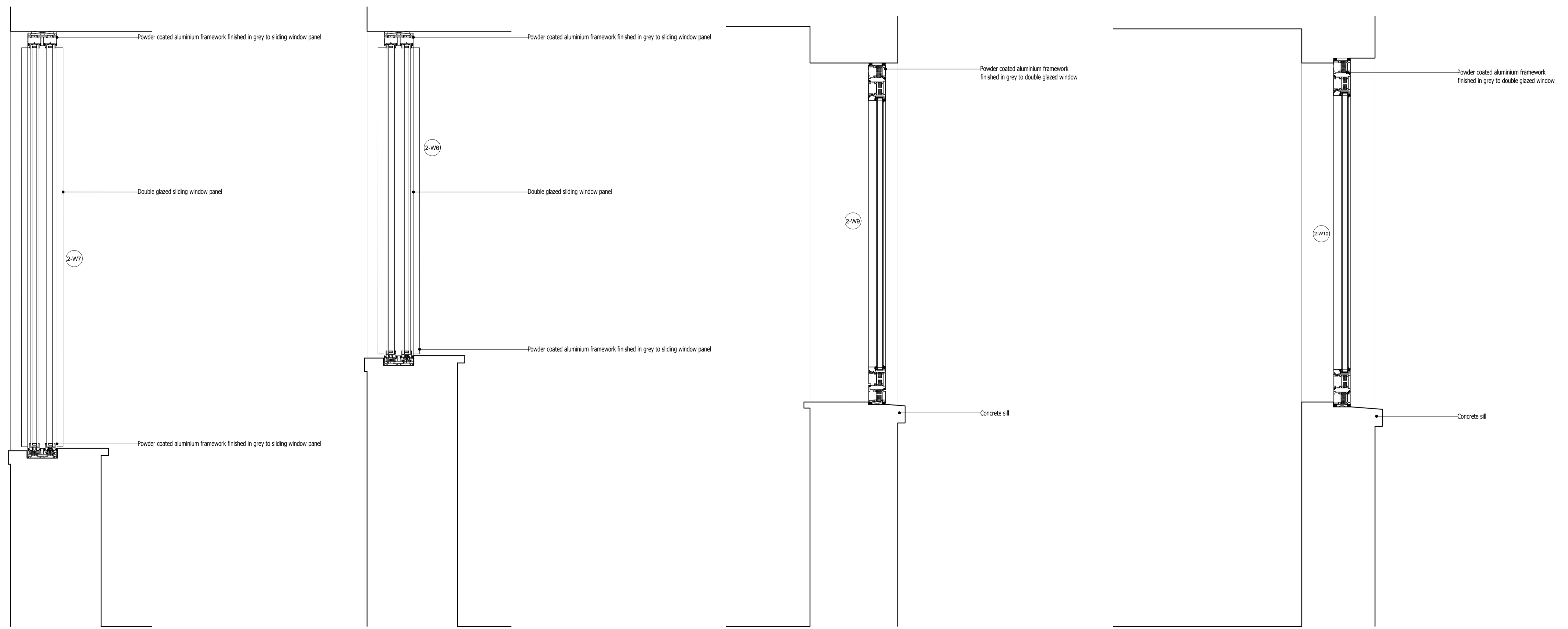
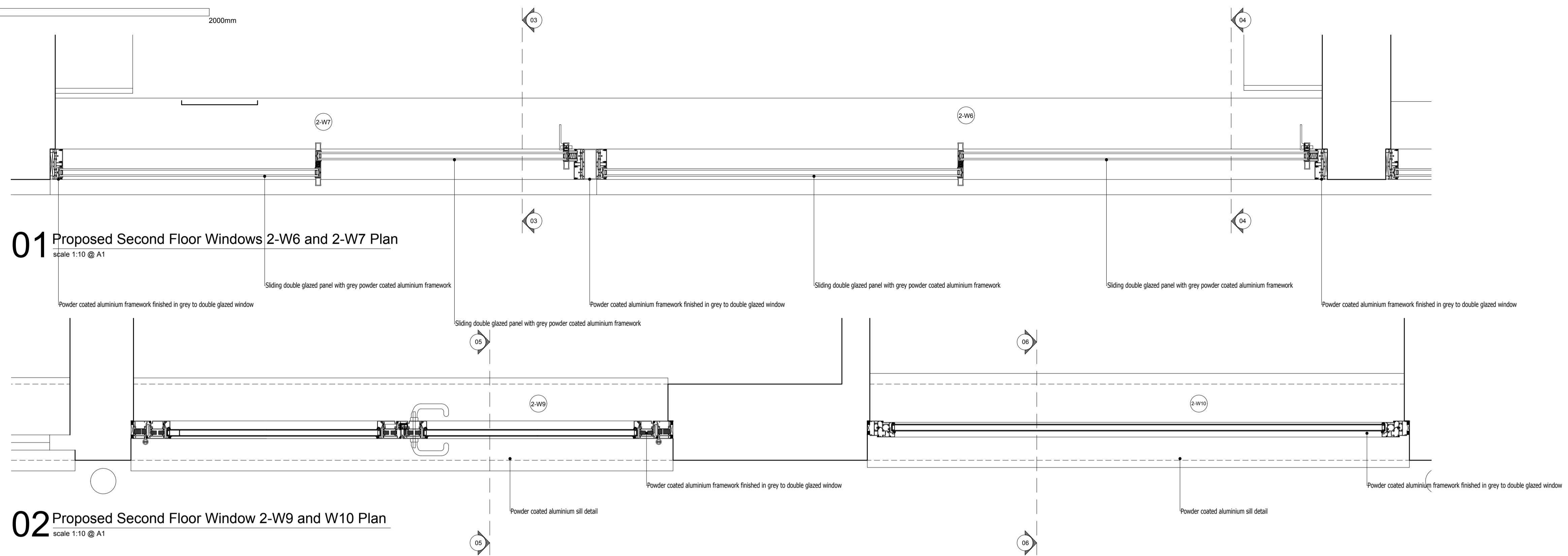
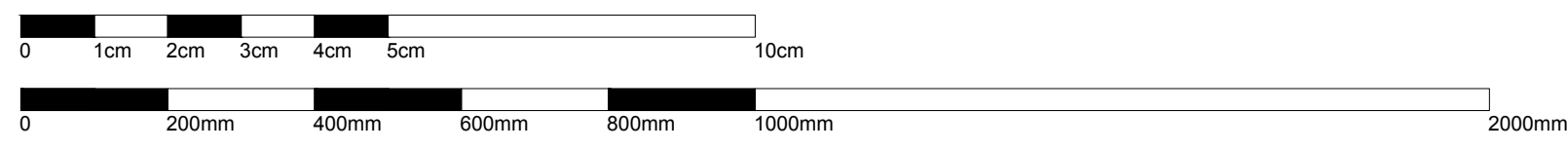


05 Proposed First Floor Window 1-W4 Section
scale 1:10 @ A1



06 Proposed First Floor Door 1-D4 Section
scale 1:10 @ A1





03 Proposed Second Floor Window 2-W7 Section
scale 1:10 @ A1

04 Proposed Second Floor Window 2-W6 Section
scale 1:10 @ A1

05 Proposed Second Floor Window 2-W9 Section
scale 1:10 @ A1

06 Proposed Second Floor Window 2-W10 Section
scale 1:10 @ A1

