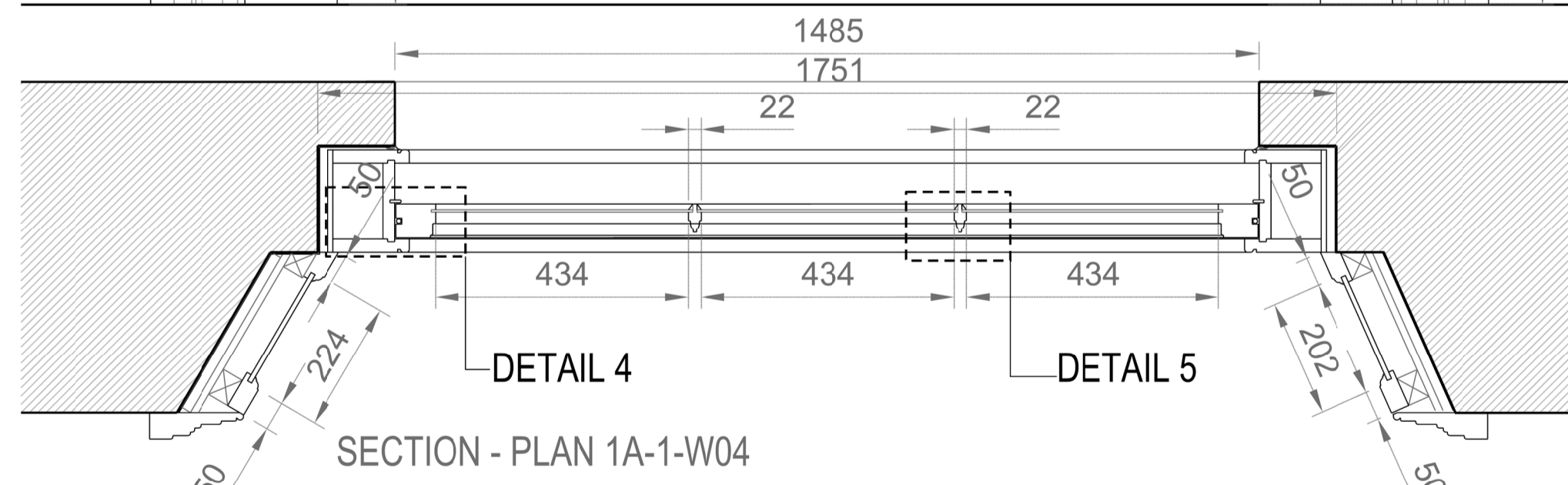
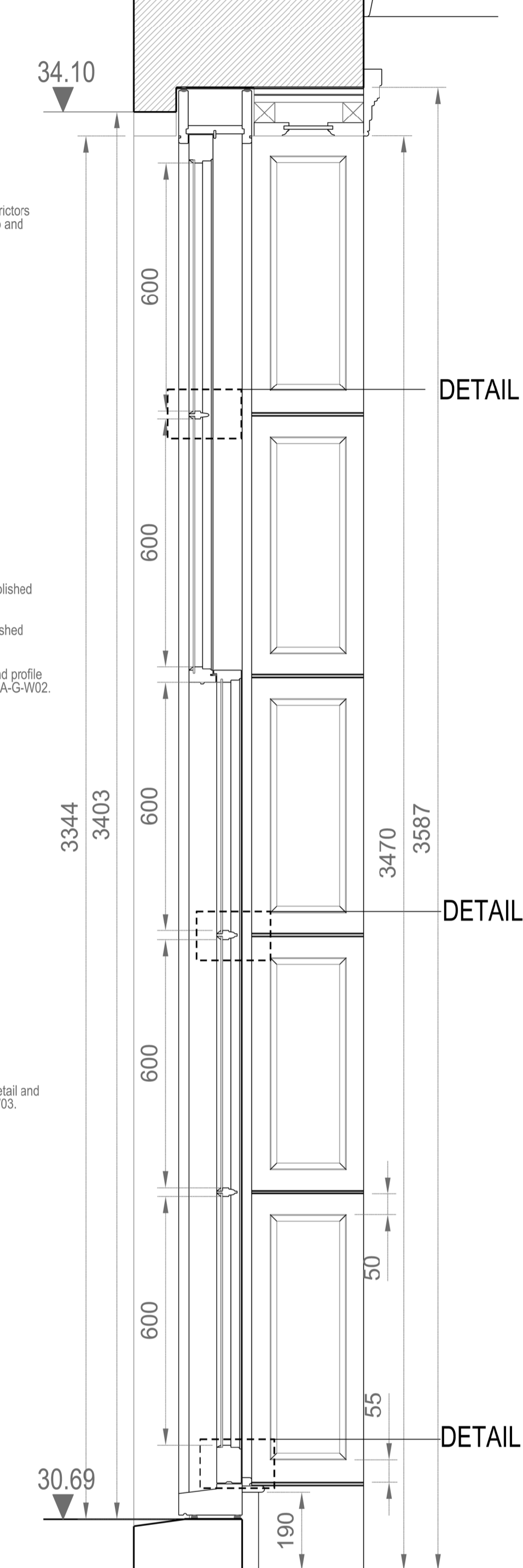
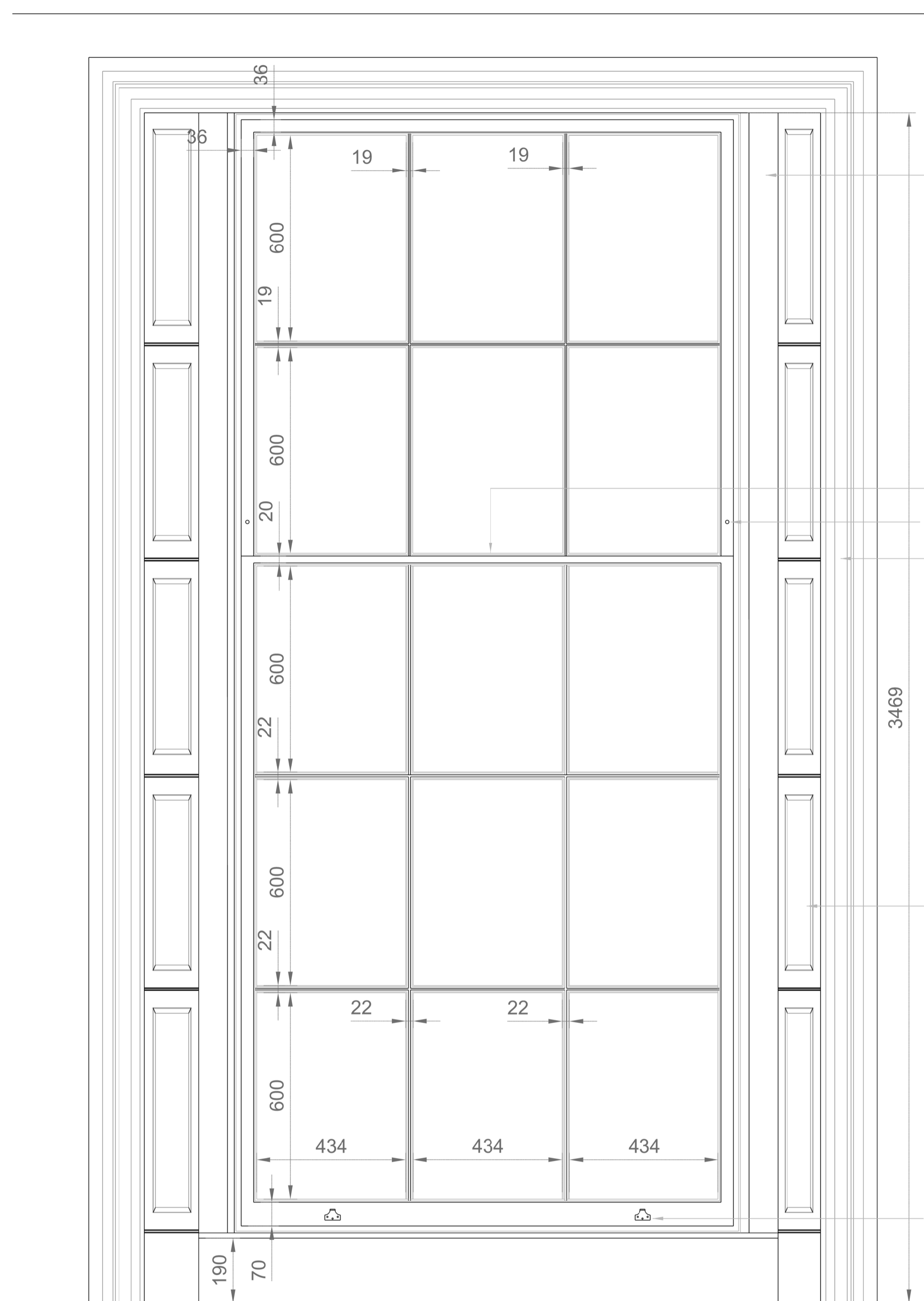
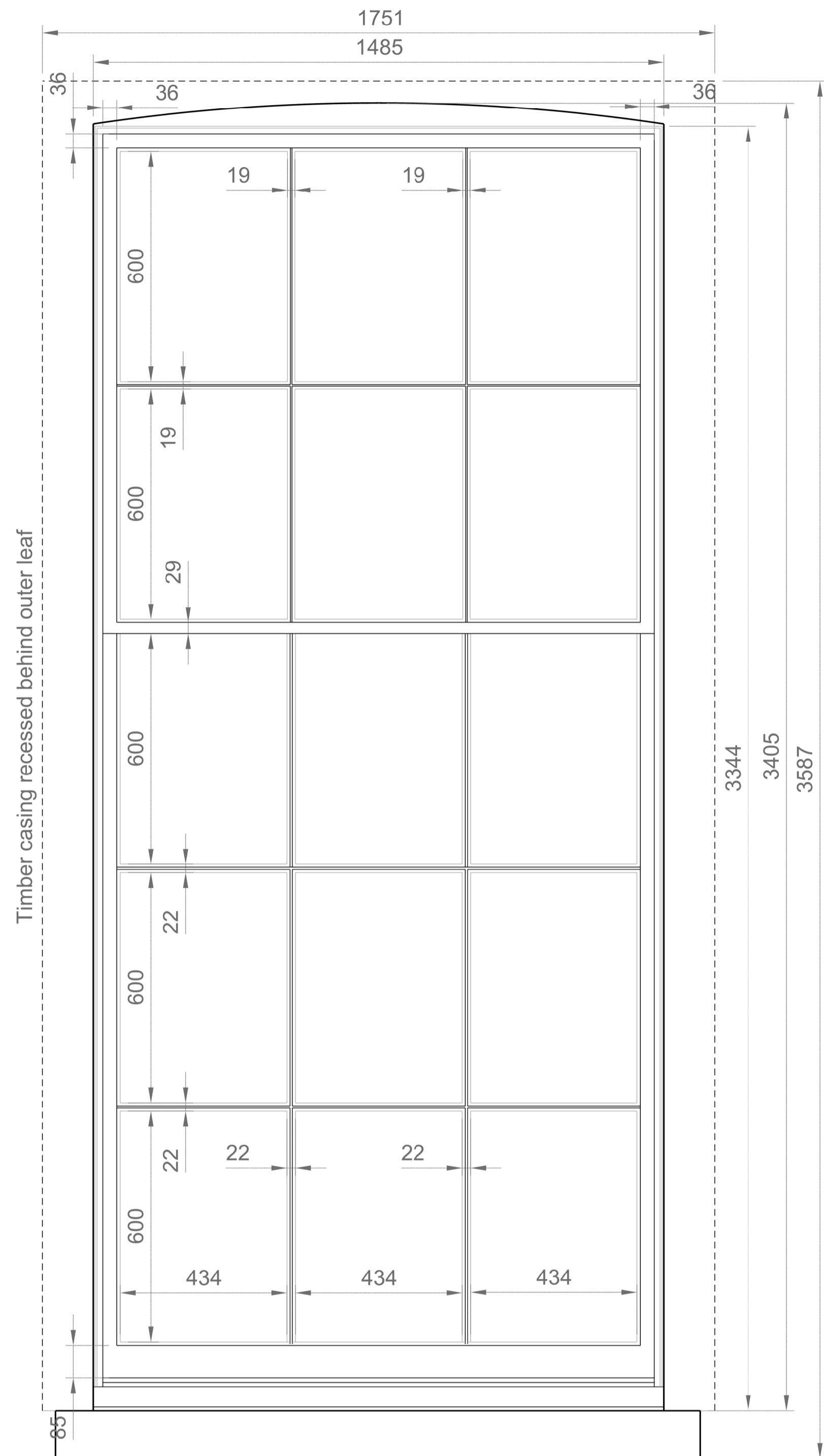


NEW TIMBER FRAME SASH WINDOW 1A-1-W04  
EXTERNAL FACE

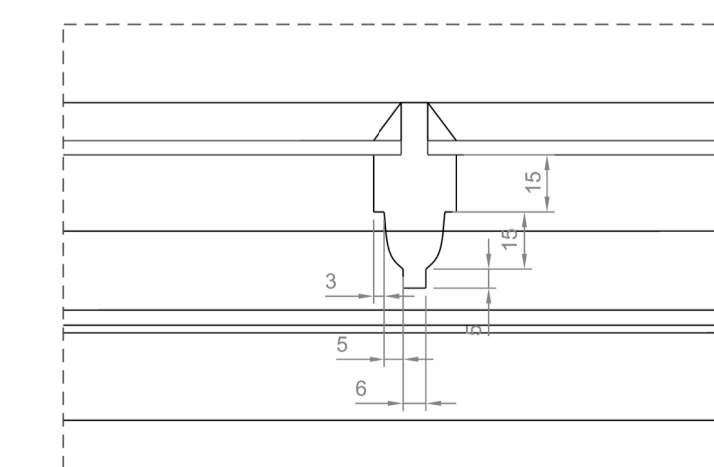
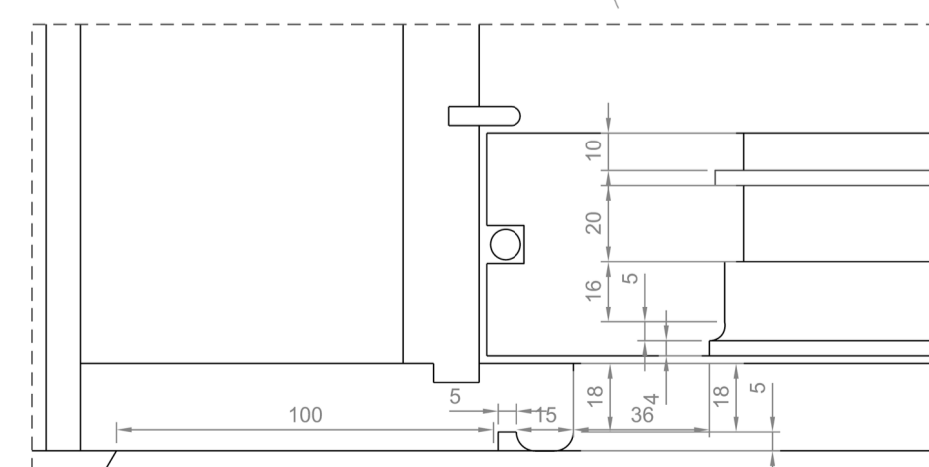
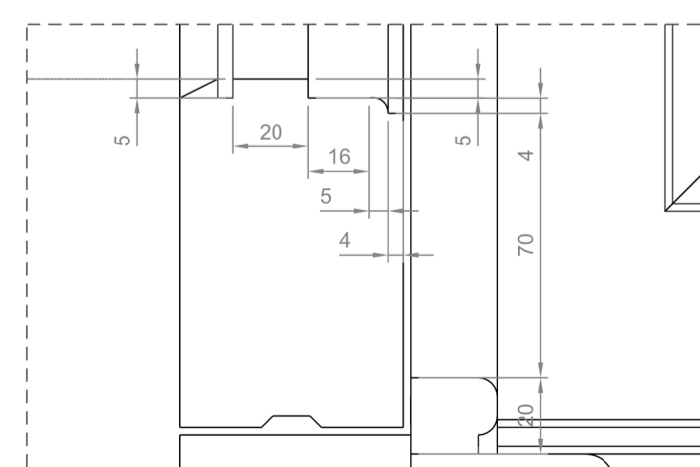
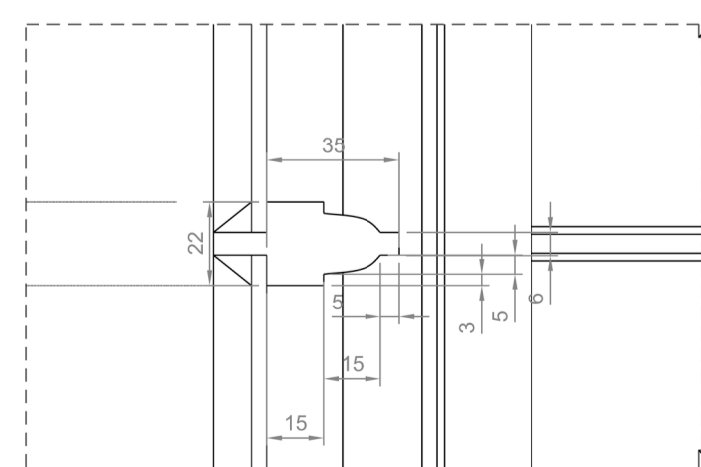
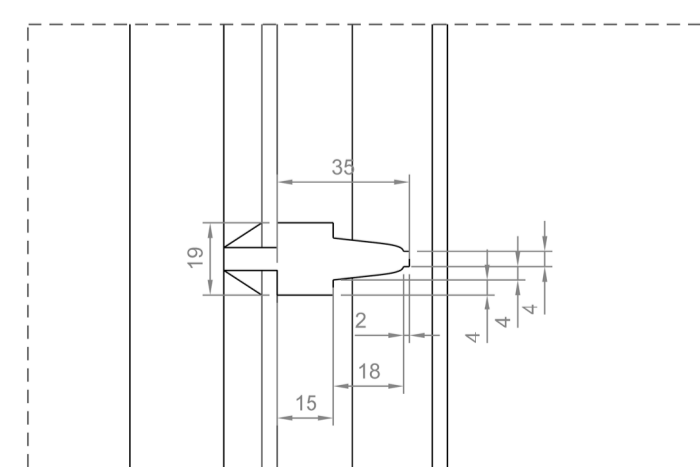
NEW TIMBER FRAME SASH WINDOW 1A-1-W04 INTERNAL FACE

SECTION 1A-1-W04



New timber frame sash window, architraves and shutters to match detail and profile of existing window 1A-1-W03. Overall width and height of existing opening has been taken from CAD Survey and should be checked on site by window's specialist.

SCALE 1:10



BUILDING DESIGN PARTNERSHIP LTD SHALL HAVE NO RESPONSIBILITY FOR ANY USE MADE OF THIS DOCUMENT OTHER THAN FOR THAT WHICH IT WAS PREPARED AND ISSUED.  
ALL DIMENSIONS SHOULD BE CHECKED ON SITE.  
DO NOT SCALE FROM THIS DRAWING.  
ANY DRAWING ERRORS OR DIVERGENCES SHOULD BE BROUGHT TO THE ATTENTION OF BUILDING DESIGN PARTNERSHIP LTD AT THE ADDRESS SHOWN BELOW.

NOTES

REVISION/DESCRIPTION	DRAWN	CHECKED	DATE

A - For Planning and Listed Building Consent Application LBE MB 01/06/17  
FIRST ISSUE LB MB 17/05/17



16 Brewhouse Yard  
Clerkenwell  
London, EC1V 4LJ  
United Kingdom  
T +44 (0)20 7812 8000  
F +44 (0)20 7812 8399  
www.bdp.com

British Museum  
Perimeter Properties Refurbishment

P2007246

DRAWING TITLE 1A Montague Street New timber sash windows to replace existing metal windows 1A-1-W04 Planning and LBC Application	SCALE 1:10@A1 DATE April '17 REVISION A
--	--

(31)AD001