

- KEY**
- BRICK
  - STONE
  - DPC
  - INSULATION MINERAL WOOL
  - INSULATION PU EXPANDING FOAM
  - MASTIC/ SILICONE/ SEALING COMPOUND

- ① PU foam insulation
- ② Flexible sealant
- ③ DPC

Cut out existing brickwork to form the recess required to conceal the inner box to the sash window

Window frame to be installed in accordance with supplier's instructions. Method of mechanical fixing the frame into the structural opening to be contractor's choice

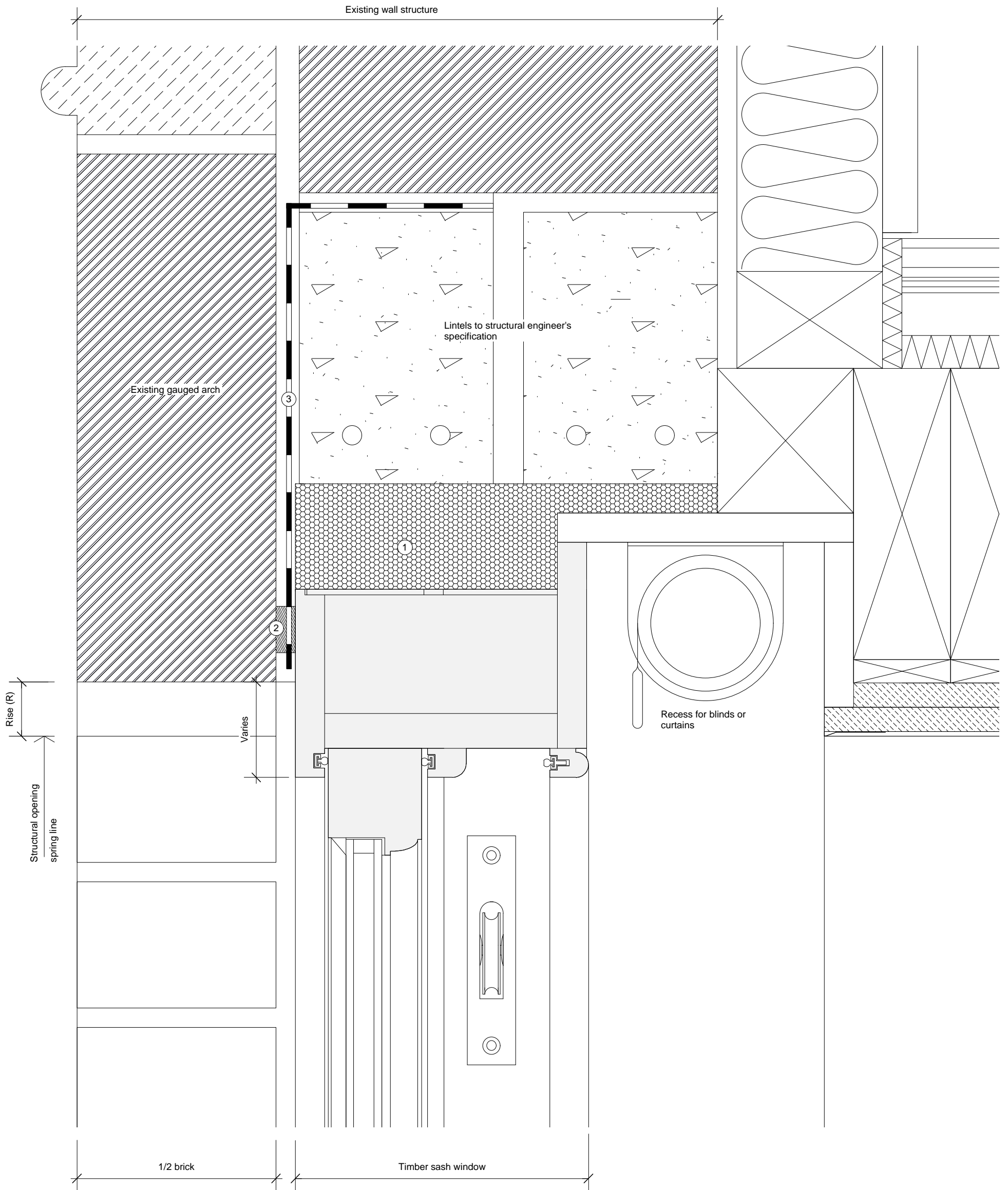
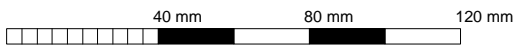
Make good existing internal render around window opening

**Typical Window Jamb Detail**

Head detail 16.12.251  
Cill detail 16.12.252

Rev. B\_13.04.18\_Intermediate glazing bars amended to be structural glazing bars  
Rev. A\_27.09.17\_Intermediate glazing bars added

	www.edrm.co.uk www.dsdha.co.uk	Title Typical Window Jamb Replacement Sash	Drawing no. 16.12.250_PL	Rev B
	Project Bickersteth House 31 Grove Place, NW3 1JS	Date 12.16	Scale 1.2 @ A3	



**KEY**

	BRICK
	STONE
	DPC
	INSULATION MINERAL WOOL
	INSULATION PU EXPANDING FOAM
	MASTIC/ SILICONE/ SEALING COMPOUND

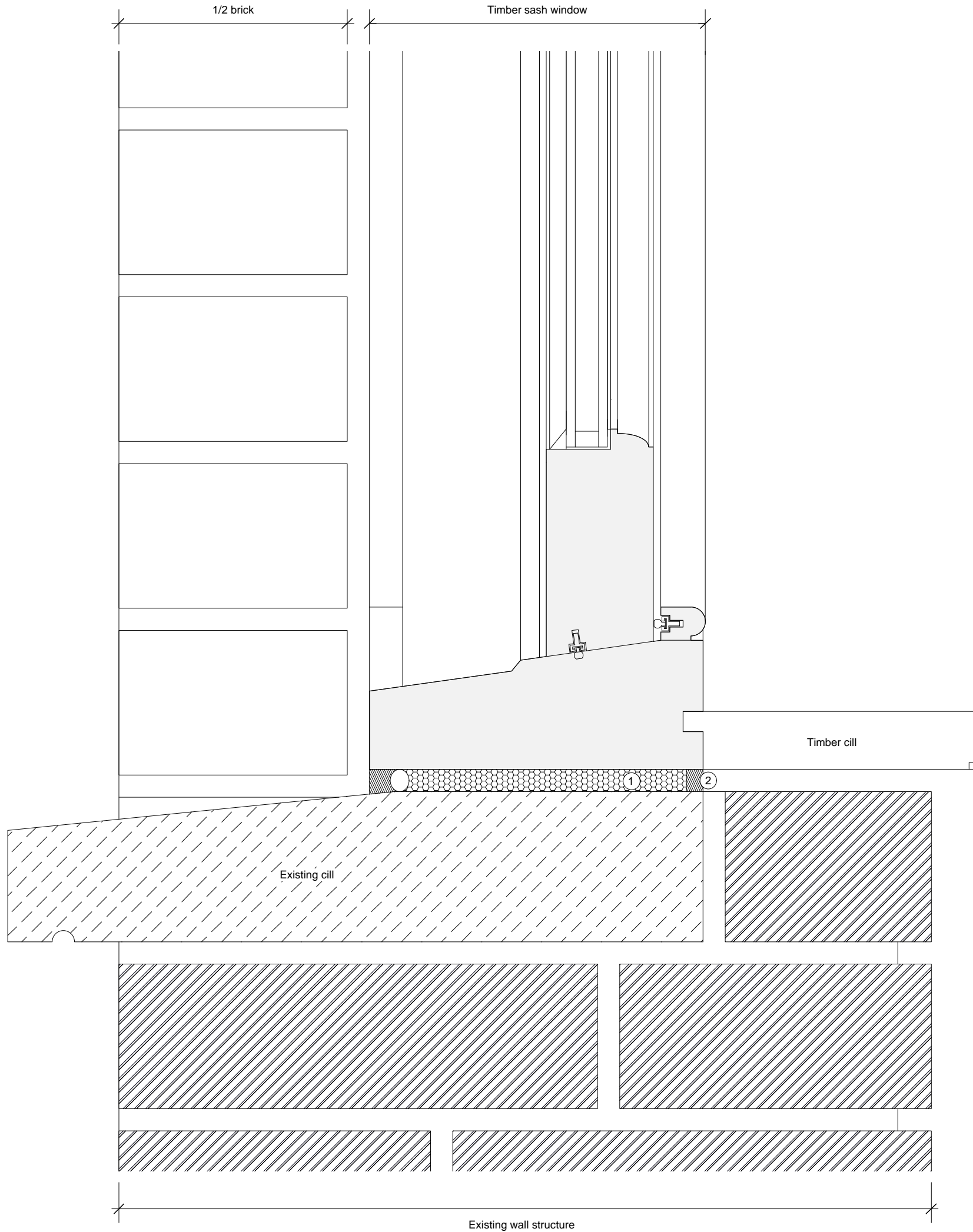
**Typical Head Detail**

Jamb detail 16.13.250  
Cill detail 16.13.252


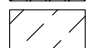
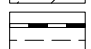
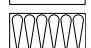


Rev. B\_13.04.18\_Minor amendments to suit structural glazing bars

- ① PU foam insulation
- ② Flexible sealant
- ③ DPC

<b>EDRM +</b> <b>DSDHA</b>  <a href="http://www.edrm.co.uk">www.edrm.co.uk</a> <a href="http://www.dsdha.co.uk">www.dsdha.co.uk</a>	Title <b>Typical Window Head Replacement Sash</b>	Drawing no. 16.12.251_PL	Rev B
	Project <b>Bickersteth House</b> 31 Grove Place, NW3 1JS	Date 12.16	Scale 1.2 @ A3



**KEY**

	BRICK
	STONE
	DPC
	INSULATION MINERAL WOOL
	INSULATION PU EXPANDING FOAM
	MASTIC/ SILICONE/ SEALING COMPOUND

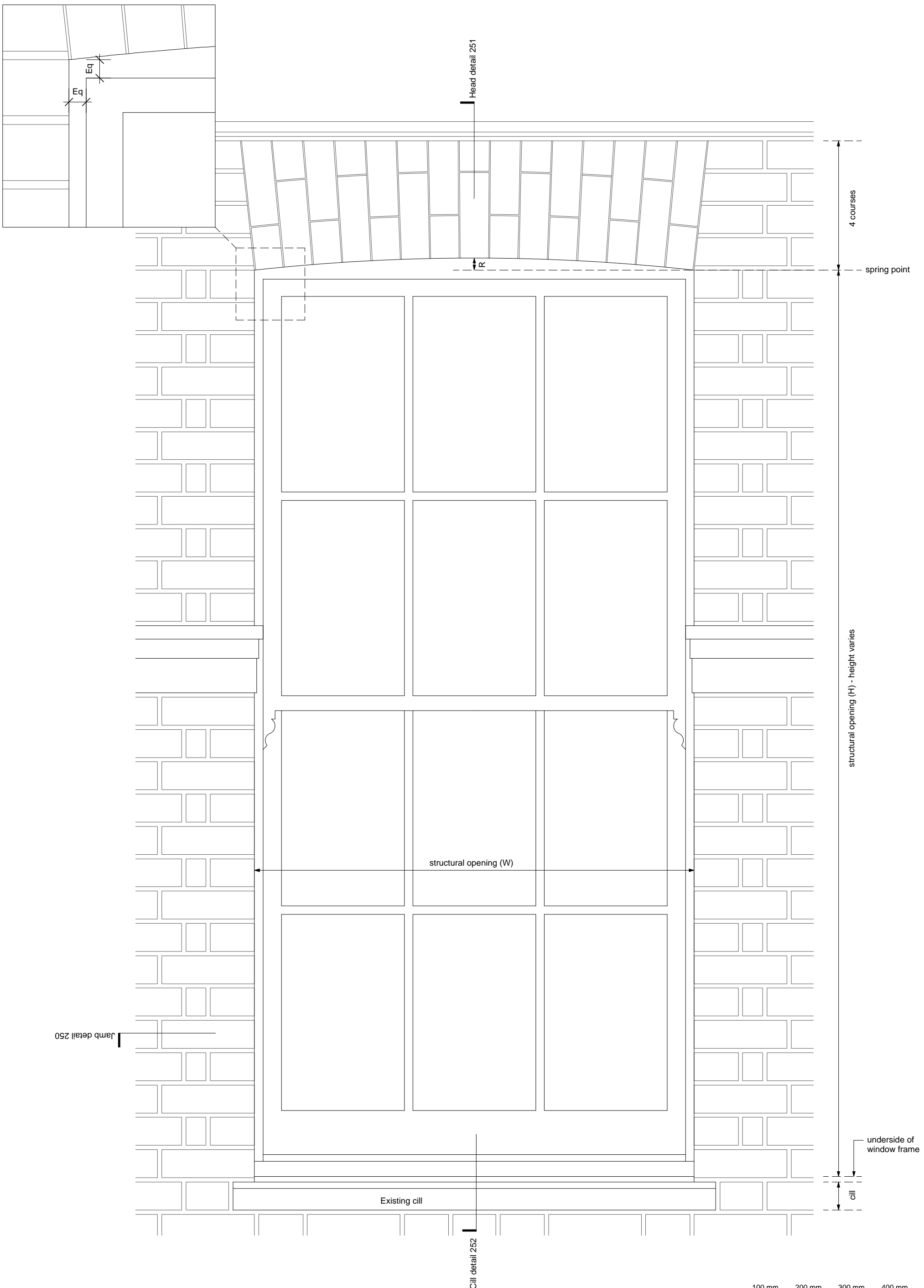
**Typical Cill Detail**

Jamb detail 16.13.250  
 Head detail 16.13.251

Rev. B\_13.04.18\_ Minor amendments to suit structural glazing bars

- ① pu foam insulation
- ② Flexible sealant

<b>EDRM +</b> <b>DSDHA</b>  www.edrm.co.uk www.dsdha.co.uk	Title	Typical Window Cill Detail Replacement Sash	Drawing no.	16.12.252_PL	Rev	B
	Project	Bickersteth House 31 Grove Place, NW3 1JS	Date	12.16	Scale	1.2 @ A3



**Typical Window Elevation**

Jamb detail 16.13.250  
 Head detail 16.13.251  
 Cill detail 16.13.252

Rev. B\_13.04.18\_Minor amendments to suit structural glazing bars  
 Rev. A\_27.09.17\_Intermediate glazing bars added

<b>EDRM +</b> <b>DSDHA</b>  <a href="http://www.edrm.co.uk">www.edrm.co.uk</a> <a href="http://www.dsdha.co.uk">www.dsdha.co.uk</a>	Title	Typical Window Elevation Replacement Sash	Drawing no.	16.12.253_PL	Rev	B
	Project	Bickersteth House 31 Grove Place, NW3 1JS	Date	12.16	Scale	1.8 @ A3