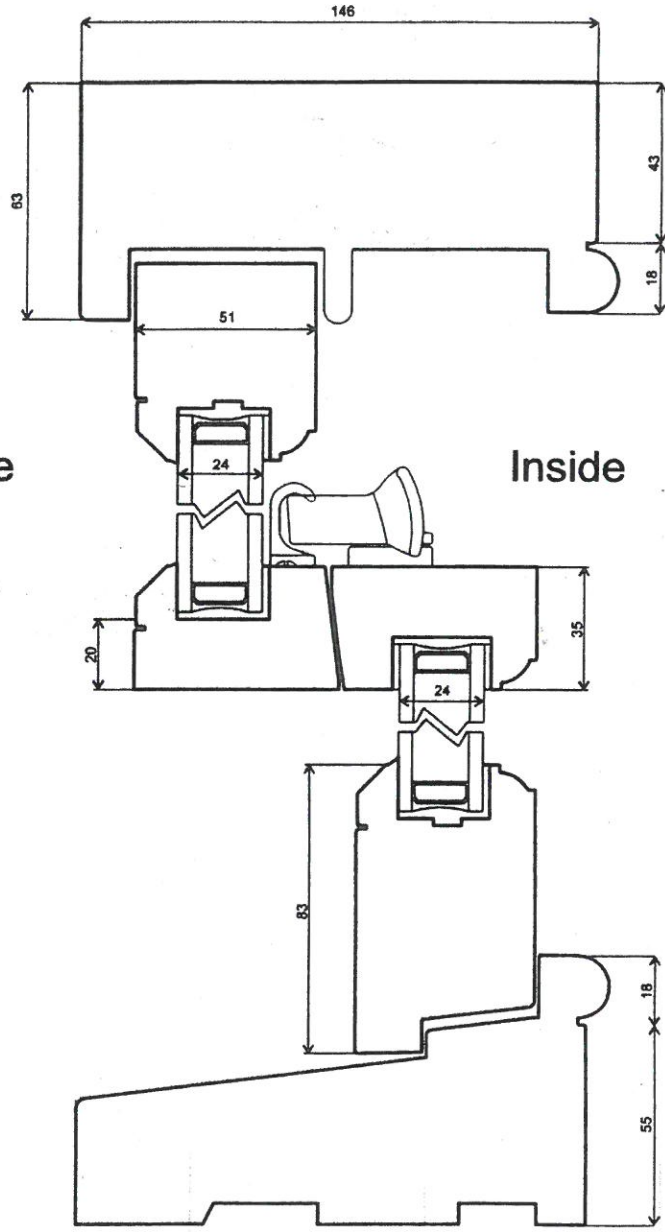
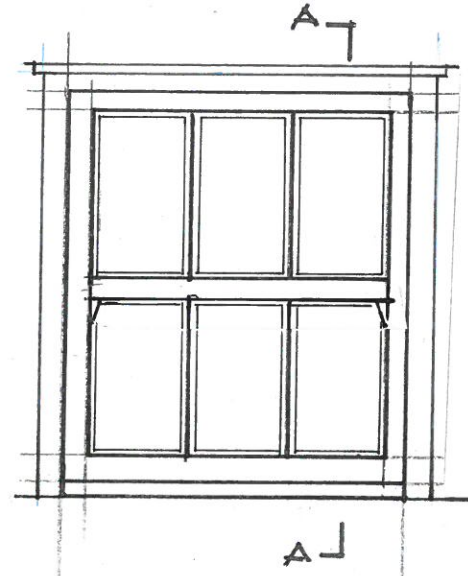


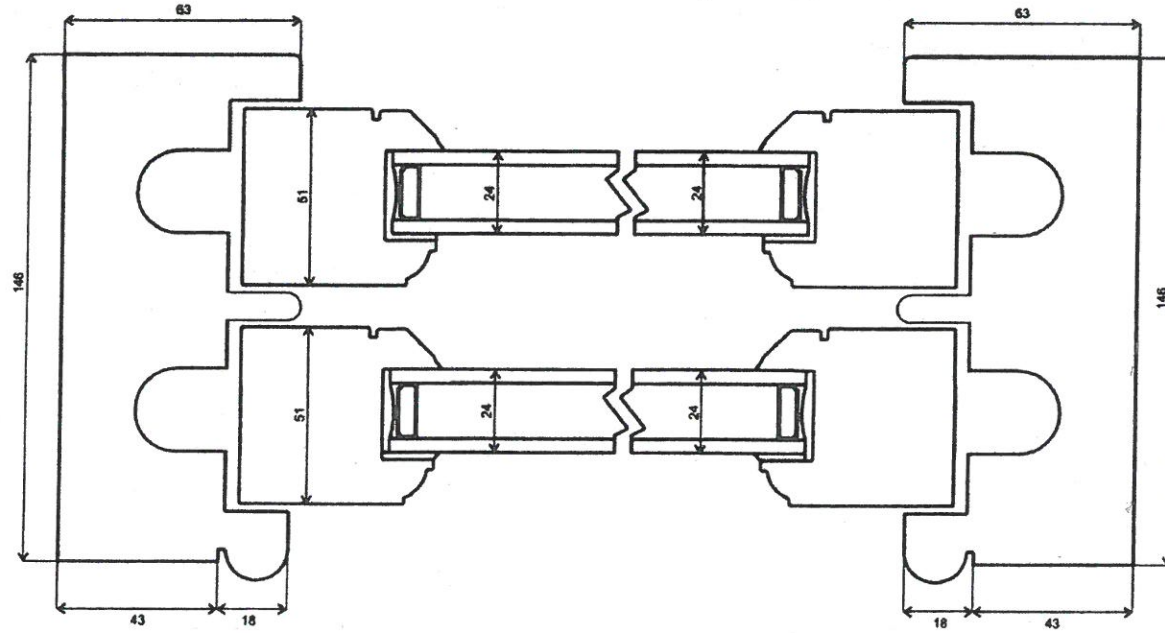
Outside



SECTION A - A  
SCALE: 1:2

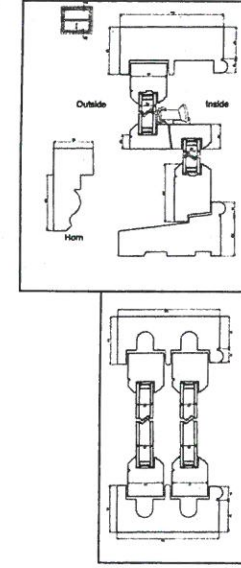


SCALE 1:20



PLAN  
SCALE 1:2

ALL WINDOWS TO BE IN TIMBER



DETAILS @ 1:10

REV	DATE	DETAILS
B	APR'18	WINDOW ELEVATION AMENDED
A	MAR'18	WINDOW ELEVATION AMENDED

**studio 5 architects ltd.**

COPYRIGHT IN THIS DRAWING BELONGS TO AND IS VESTED IN STUDIO 5 ARCHITECTS AND MAY NOT BE REPRODUCED OR DISTRIBUTED IN ANY WAY OR FOR ANY PURPOSE WITHOUT THEIR WRITTEN CONSENT. ANY PERSON, FIRM OR COMPANY UNLAWFULLY REPRODUCING OR DISTRIBUTING THIS DRAWING OR IN ANY WAY INFRINGING THE COPYRIGHT THEREIN WILL BE PROSECUTED. DRAWINGS ARE NOT TO BE SCALED. FIGURED DIMENSIONS ONLY ARE TO BE WORKED TO.

Northgate studios, 12 Northgate, Chichester, PO19 1BA  
 T: 01243 528811  
 F: 01243 536025  
 E: mail@studio5architects.co.uk  
 www.studio5architects.co.uk

DRAWING: **TIMBER WINDOW DETAILS**

SCALE: **AS SHOWN @ A3**

DATE: **MAR 2018**

PROJECT: **KING'S CROSS INN HOTEL  
 1-11 EUSTON ROAD  
 LONDON NW1 2SA**

JOB NO.  
**18/100**

DRG. NO.

**DC-01 B**