

The use of this data by the recipient acts as an agreement of the following statements. Do not use this data if you do not agree with any of the following statements:

All drawings are based upon site information supplied by third parties and as such their accuracy cannot be guaranteed. All features are approximate and subject to clarification by statutory service enquires and confirmation of the legal boundaries.

Do not scale from the drawing. Use figured dimensions in all cases. Check all measurements on site.

Report any discrepancies in writing to the Architect before proceeding. All figured dimensions are millimetres unless otherwise stated.

Refer to all schedules - schedules to be read in conjunction with drawings

low wall to be partially rebuilt to match new stair slope

new frameless glass door and fixed window panels

new wall mounted luminaires

19.84
+
567
19.83
890
400

new steps built over existing

new miniature recessed spot uplighters L05 see detail 224-8.002

A, 17.03.16 - Issue

Refer to Document Issue Sheet for status and purpose of issue.

Scale - 1:50@A3

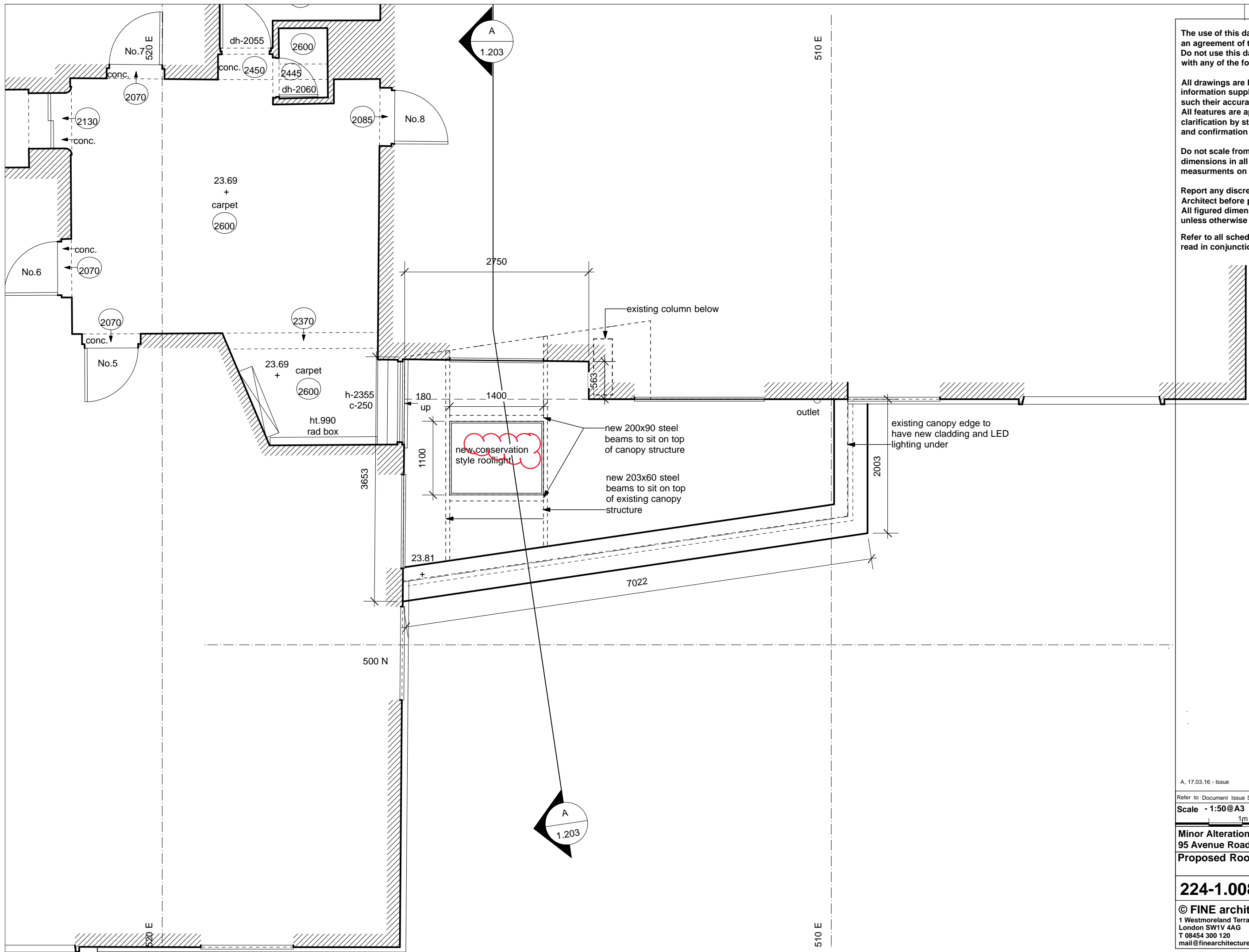
1m 2m

Minor Alterations to Entrance
95 Avenue Road London NW8 6HY

Proposed Ground Floor Plan

224-1.006-A

© FINE architecture ltd
1 Westmoreland Terrace
London SW1V 4AG
T 08454 300 120
mail@finearchitecture.co.uk



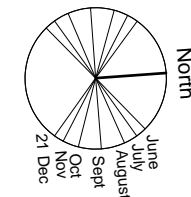
The use of this data by the recipient acts as an agreement of the following statements. Do not use this data if you do not agree with any of the following statements:

All drawings are based upon site information supplied by third parties and as such their accuracy cannot be guaranteed. All features are approximate and subject to clarification by statutory service enquires and confirmation of the legal boundaries.

Do not scale from the drawing. Use figured dimensions in all cases. Check all measurements on site.

Report any discrepancies in writing to the Architect before proceeding. All figured dimensions are millimetres unless otherwise stated.

Refer to all schedules - schedules to be read in conjunction with drawings



A, 17.03.16 - Issue

Refer to Document Issue Sheet for status and purpose of issue.

Scale - 1:50@A3



Minor Alterations to Entrance
95 Avenue Road London NW8 6HY
Proposed Roof Plan

224-1.008-A

© FINE architecture ltd
1 Westmoreland Terrace
London SW1V 4AG
T 08454 300 120
mail@finearchitecture.co.uk

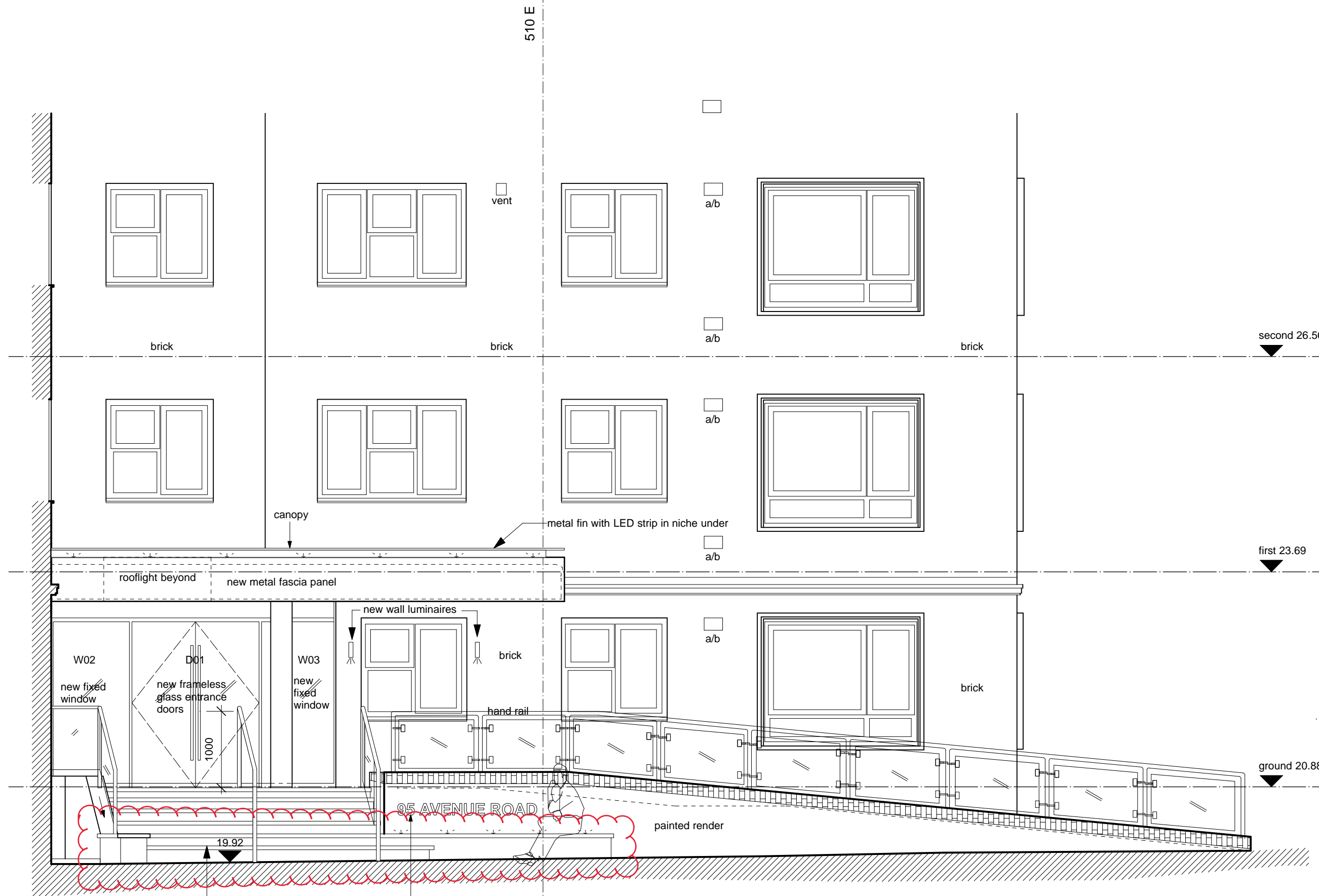
The use of this data by the recipient acts as an agreement of the following statements. Do not use this data if you do not agree with any of the following statements:

All drawings are based upon site information supplied by third parties and as such their accuracy cannot be guaranteed. All features are approximate and subject to clarification by statutory service enquires and confirmation of the legal boundaries.

Do not scale from the drawing. Use figured dimensions in all cases. Check all measurements on site.

Report any discrepancies in writing to the Architect before proceeding. All figured dimensions are millimetres unless otherwise stated.

Refer to all schedules - schedules to be read in conjunction with drawings



new steps to be built over existing for accessibility

A, 17.03.16 - Issue

Refer to Document Issue Sheet for status and purpose of issue.

Scale - 1:50@A3



Minor Alterations to Entrance
95 Avenue Road London NW8 6HY
Proposed East Elevation

224-1.100-A

© FINE architecture ltd
1 Westmoreland Terrace
London SW1V 4AG
T 08454 300 120
mail@finearchitecture.co.uk

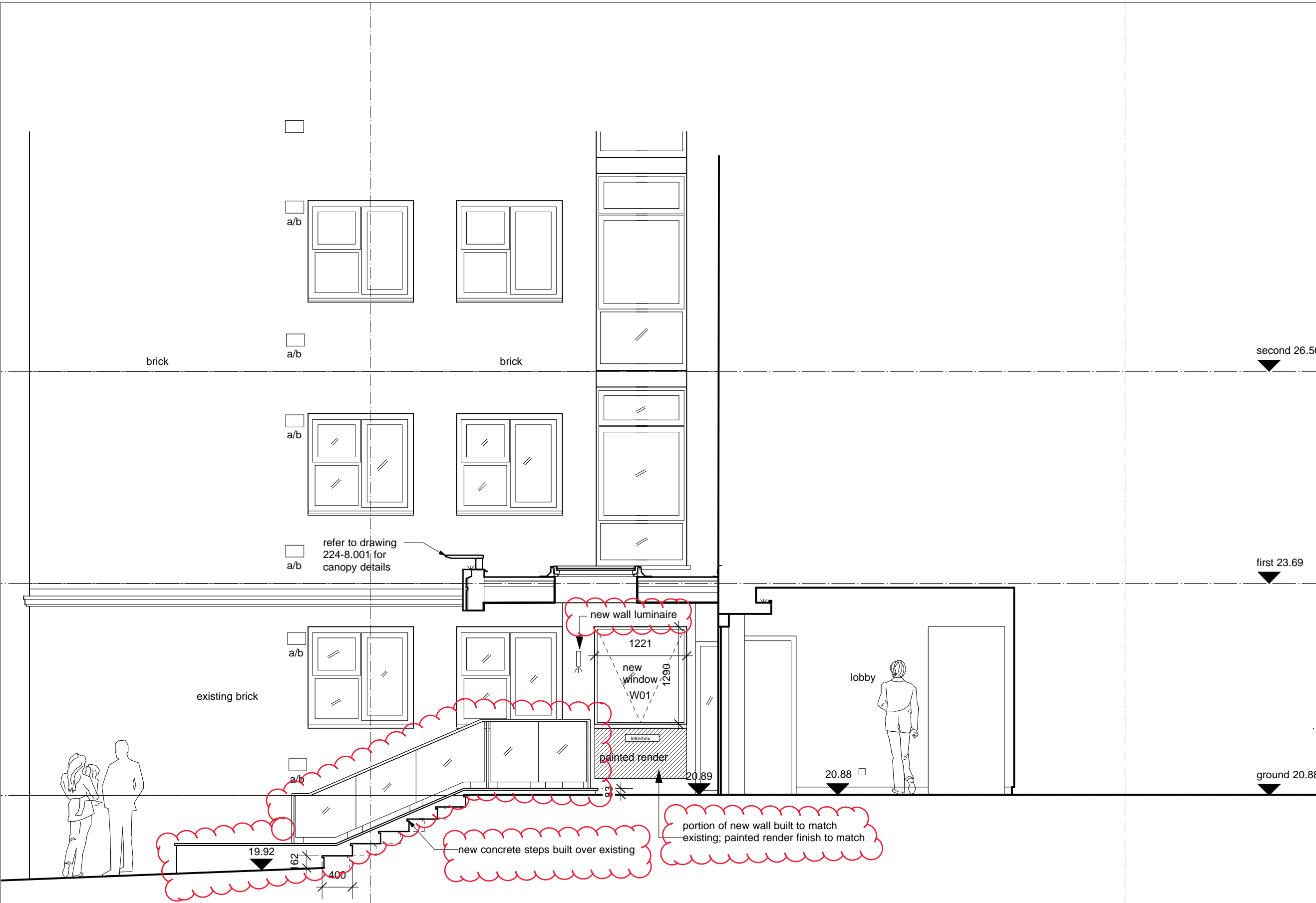
The use of this data by the recipient acts as an agreement of the following statements. Do not use this data if you do not agree with any of the following statements:

All drawings are based upon site information supplied by third parties and as such their accuracy cannot be guaranteed. All features are approximate and subject to clarification by statutory service enquires and confirmation of the legal boundaries.

Do not scale from the drawing. Use figured dimensions in all cases. Check all measurements on site.

Report any discrepancies in writing to the Architect before proceeding. All figured dimensions are millimetres unless otherwise stated.

Refer to all schedules - schedules to be read in conjunction with drawings



A, 17.03.16 - Issue

Refer to Document Issue Sheet for status and purpose of issue.

Scale - 1:50@A3



Minor Alterations to Entrance
95 Avenue Road London NW8 6HY
Proposed Section A-A

224-1.203-A

© FINE architecture ltd

1 Westmoreland Terrace
London SW1V 4AG
T 08454 300 120
mail@finearchitecture.co.uk

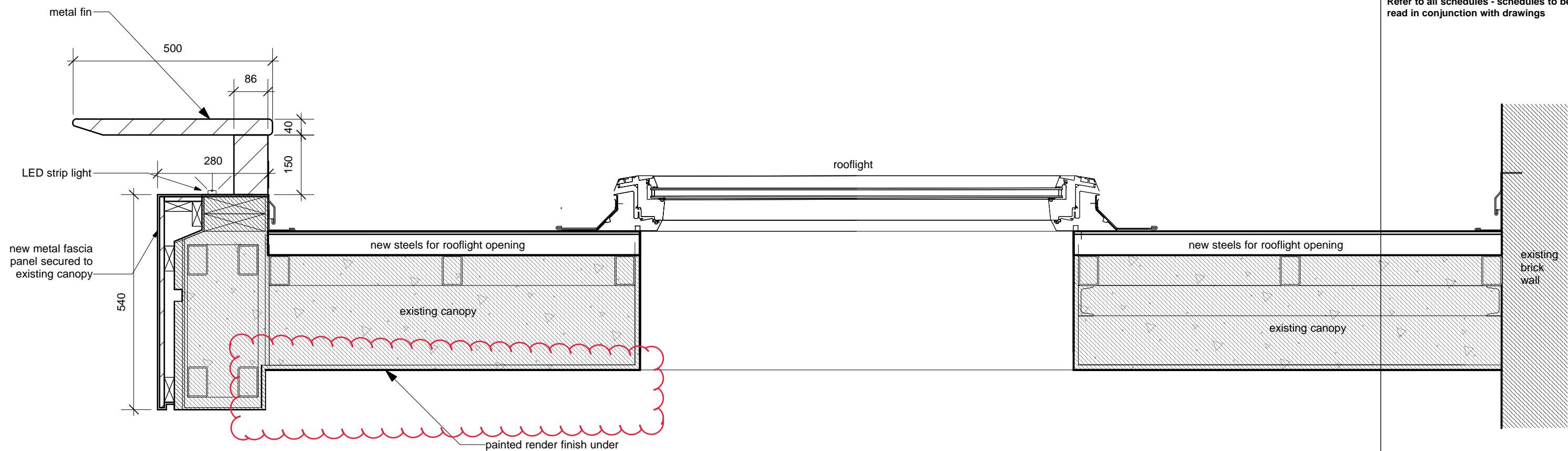
The use of this data by the recipient acts as an agreement of the following statements. Do not use this data if you do not agree with any of the following statements:

All drawings are based upon site information supplied by third parties and as such their accuracy cannot be guaranteed. All features are approximate and subject to clarification by statutory service enquires and confirmation of the legal boundaries.

Do not scale from the drawing. Use figured dimensions in all cases. Check all measurements on site.

Report any discrepancies in writing to the Architect before proceeding. All figured dimensions are millimetres unless otherwise stated.

Refer to all schedules - schedules to be read in conjunction with drawings



A, 17.03.16 - Issue

Refer to Document Issue Sheet for status and purpose of issue.

Scale 1:10 @ A3

0.25 m 0.5 m

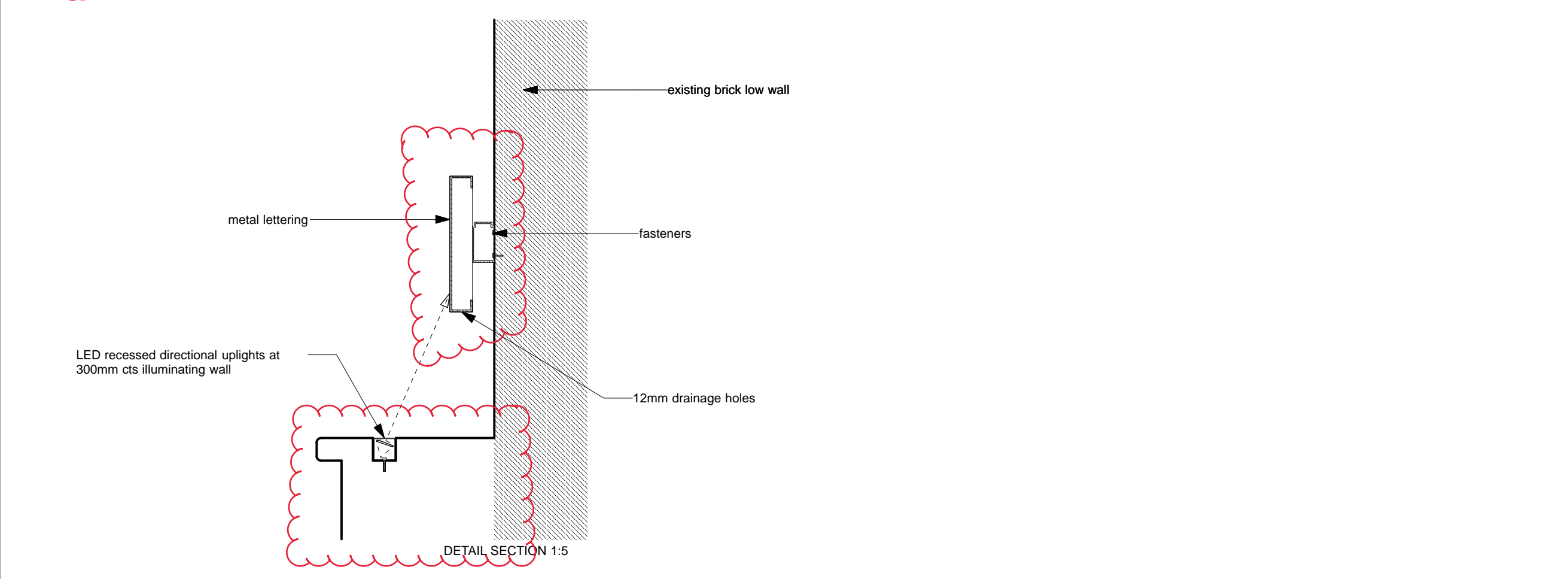
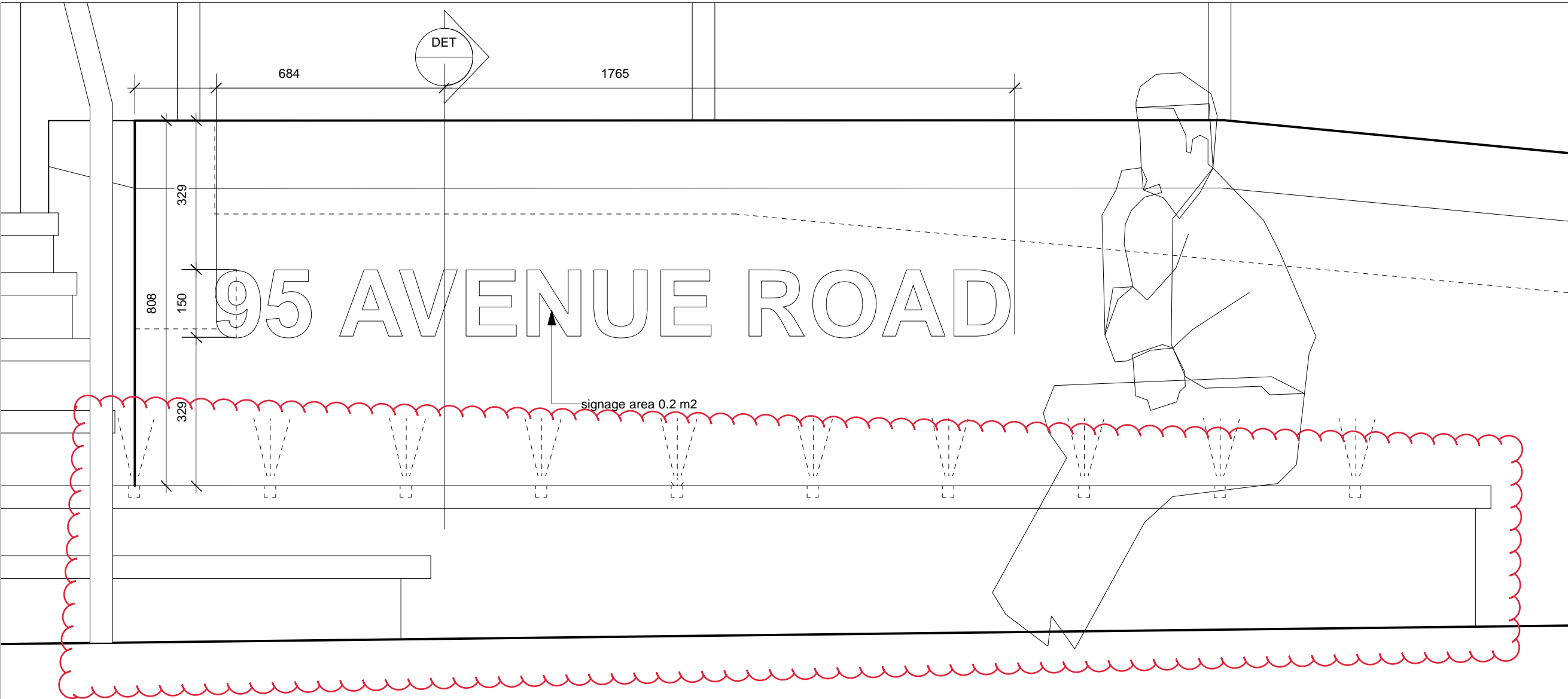
Minor Alterations to Entrance
95 Avenue Road London NW8 6HY

Canopy Details

224-8.001-A

© FINE architecture ltd

1 Westmoreland Terrace
London SW1V 4AG
T 08454 300 120
mail@finearchitecture.co.uk



The use of this data by the recipient acts as an agreement of the following statements. Do not use this data if you do not agree with any of the following statements:

All drawings are based upon site information supplied by third parties and as such their accuracy cannot be guaranteed. All features are approximate and subject to clarification by statutory service enquires and confirmation of the legal boundaries.

Do not scale from the drawing. Use figured dimensions in all cases. Check all measurements on site.

Report any discrepancies in writing to the Architect before proceeding. All figured dimensions are millimetres unless otherwise stated.

Refer to all schedules - schedules to be read in conjunction with drawings

A, 17.03.13 - First Issue
 B, 17.04.27 - revision

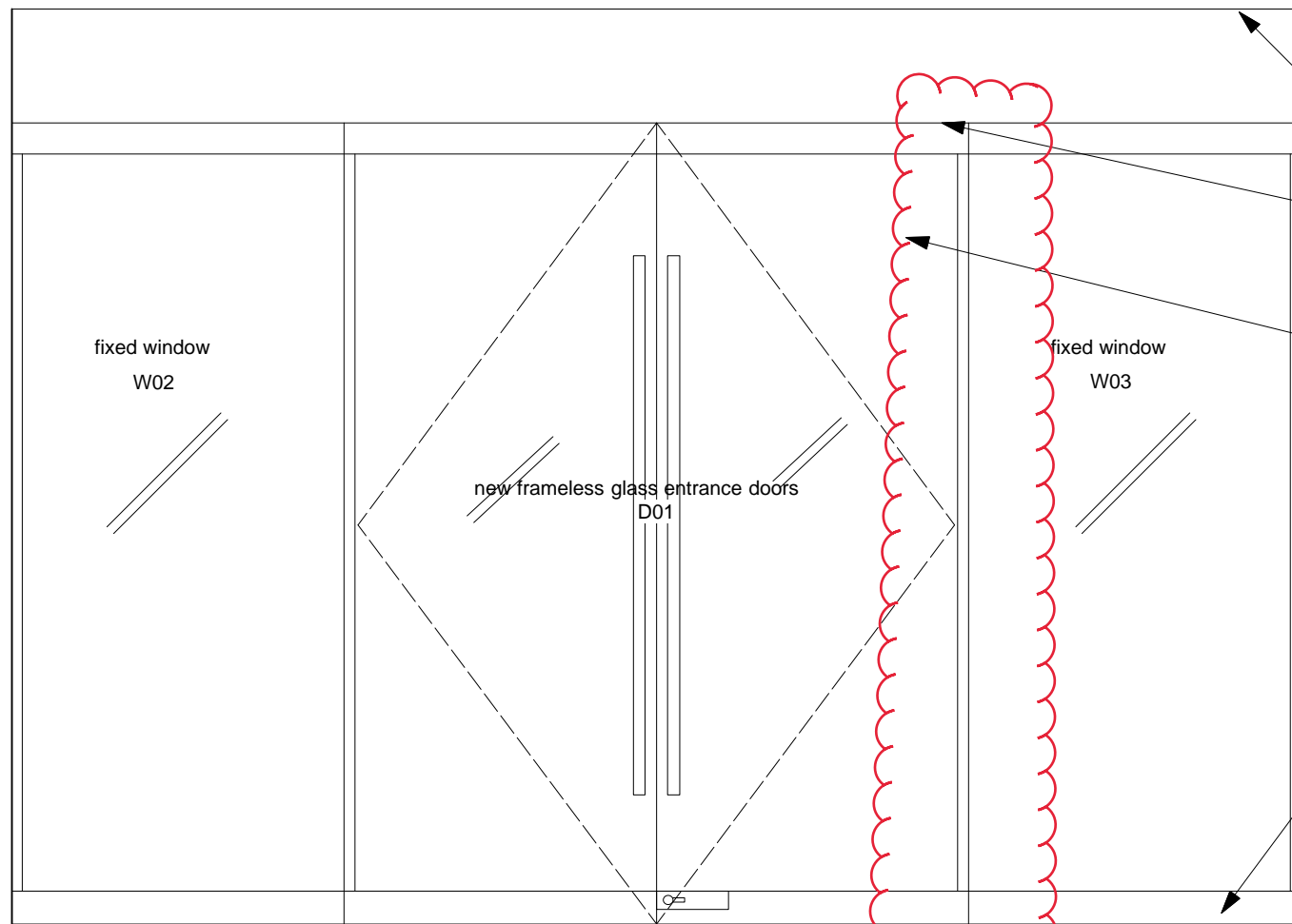
Refer to Document Issue Sheet for status and purpose of issue.
 Scale 1:10 @ A3
 0.25 m 0.5 m

Minor Alterations to Entrance
 95 Avenue Road London NW8 6HY

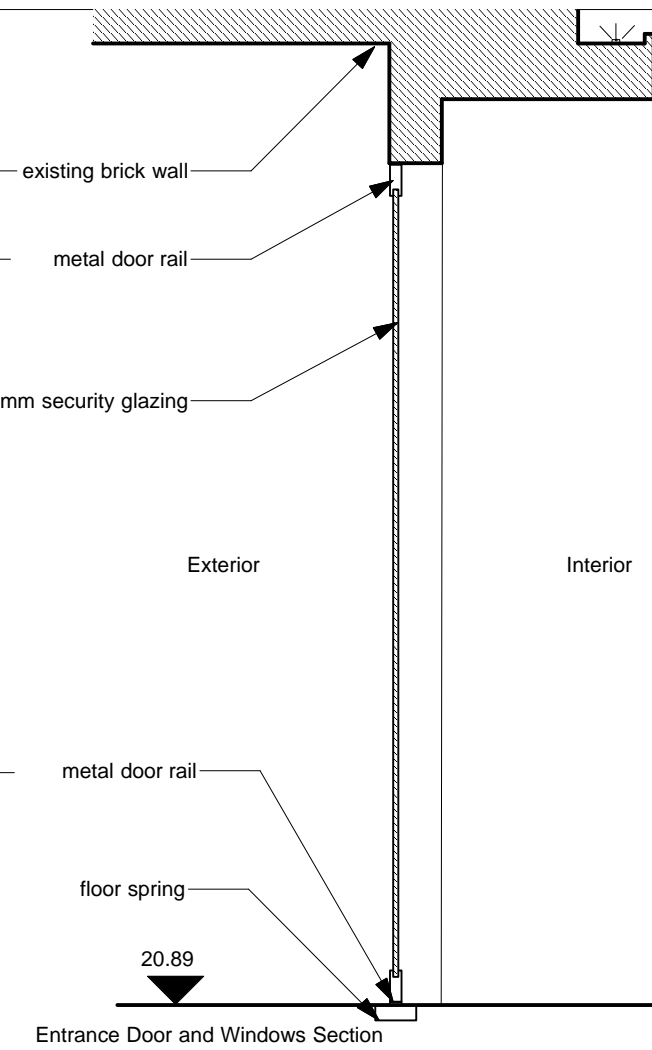
Signage Details

224-8.002 RevB

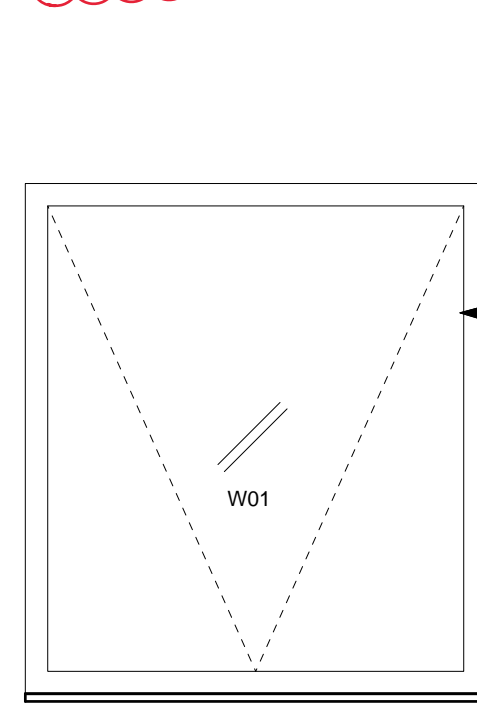
© FINE architecture ltd
 1 Westmoreland Terrace
 London SW1V 4AG
 T 08454 300 120
 mail@finearchitecture.co.uk



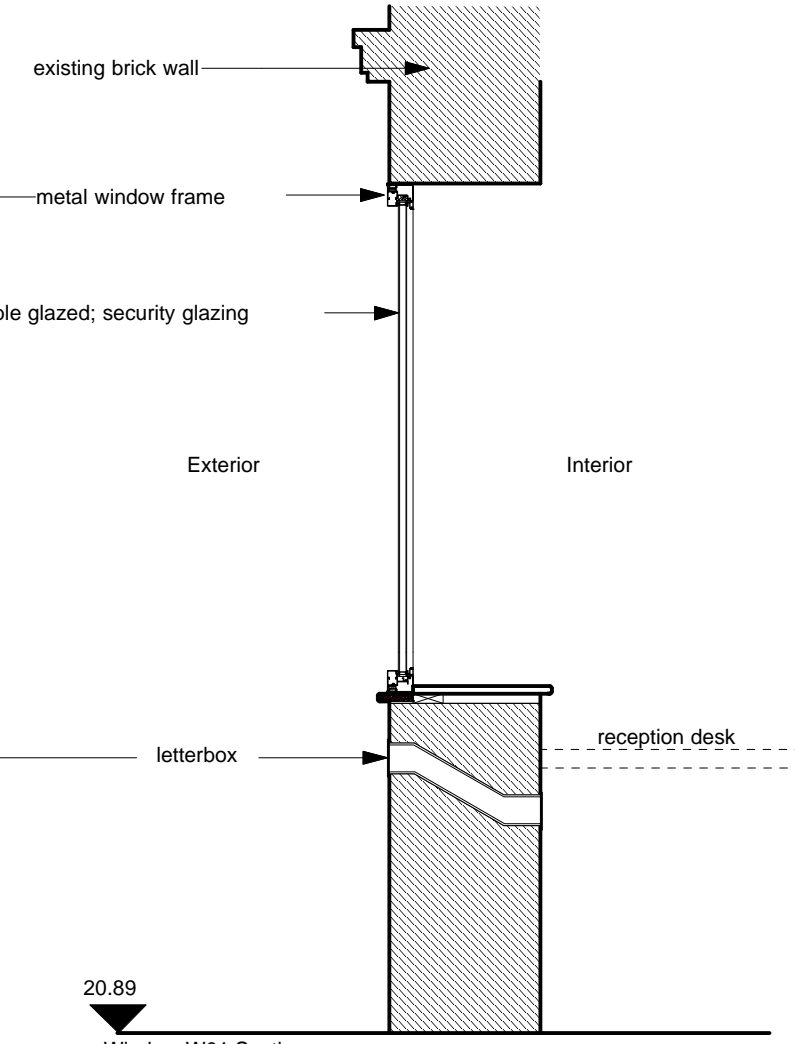
Entrance Door D01 and Windows W02 & W03 Elevation



Entrance Door and Windows Section



Window W01 Elevation



Window W01 Section

The use of this data by the recipient acts as an agreement of the following statements. Do not use this data if you do not agree with any of the following statements:

All drawings are based upon site information supplied by third parties and as such their accuracy cannot be guaranteed. All features are approximate and subject to clarification by statutory service enquires and confirmation of the legal boundaries.

Do not scale from the drawing. Use figured dimensions in all cases. Check all measurements on site.

Report any discrepancies in writing to the Architect before proceeding. All figured dimensions are millimetres unless otherwise stated.

Refer to all schedules - schedules to be read in conjunction with drawings

A, 17.03.16 - Issue

Refer to Document Issue Sheet for status and purpose of issue.

Scale 1:20 @ A3
0.5 m 1 m

Minor Alterations to Entrance
95 Avenue Road London NW8 6HY

Window and Door Details

224-8.003-A

© FINE architecture ltd
1 Westmoreland Terrace
London SW1V 4AG
T 08454 300 120
mail@finearchitecture.co.uk



The use of this data by the recipient acts as an agreement of the following statements. Do not use this data if you do not agree with any of the following statements:

All drawings are based upon site information supplied by third parties and as such their accuracy cannot be guaranteed. All features are approximate and subject to clarification by statutory service enquires and confirmation of the legal boundaries.

Do not scale from the drawing. Use figured dimensions in all cases. Check all measurements on site.

Report any discrepancies in writing to the Architect before proceeding. All figured dimensions are millimetres unless otherwise stated.

Refer to all schedules - schedules to be read in conjunction with drawings

A, 17.03.16 - Issue

Refer to Document Issue Sheet for status and purpose of issue.

Scale NTS

**Minor Alterations to Entrance
95 Avenue Road London NW8 6HY**

Artists' Impression
For Illustrative Purposes Only

224-8.006-A

© FINE architecture ltd
1 Westmoreland Terrace
London SW1V 4AG
T 08454 300 120
mail@finearchitecture.co.uk