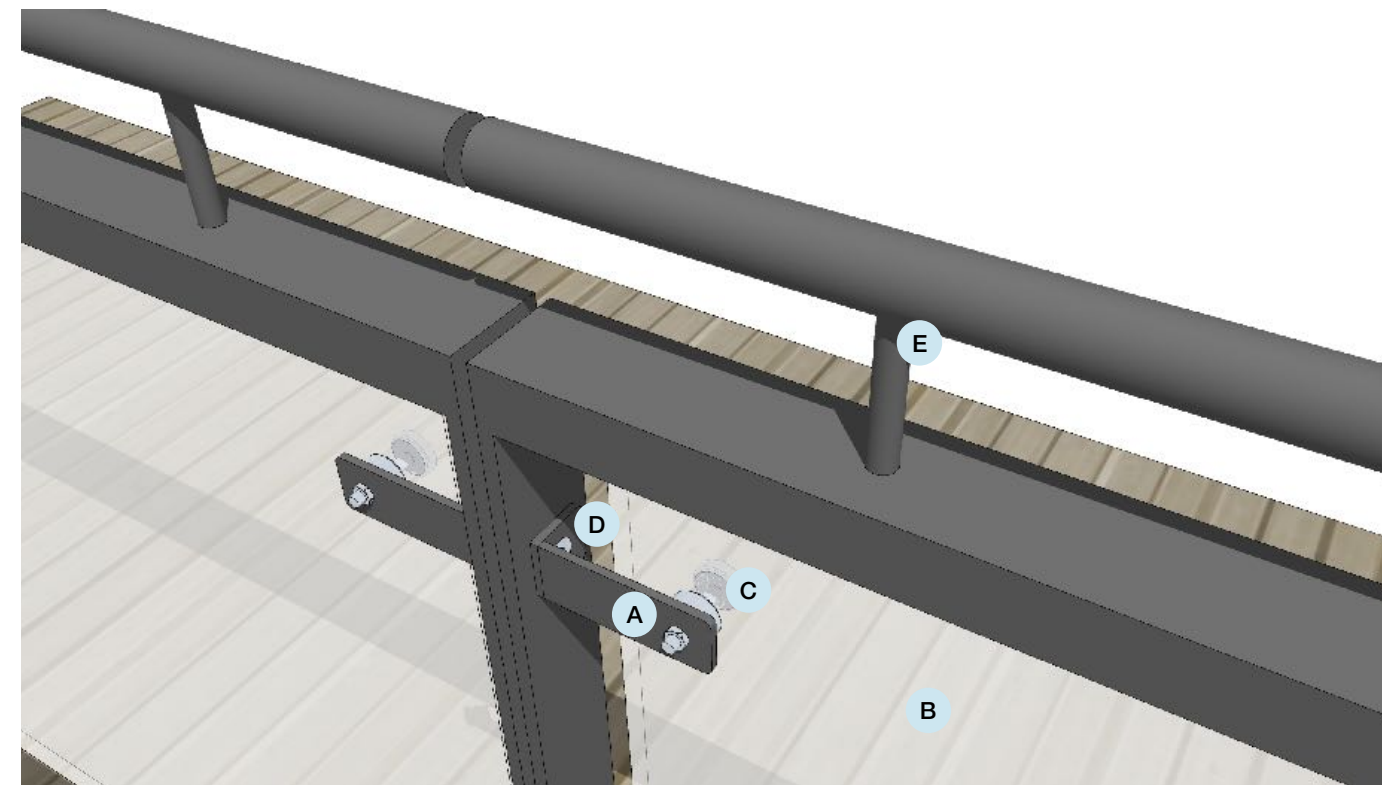


PROPOSED FRONT VIEW



PROPOSED REAR VIEW

GLAZING INFILL SCHEDULE

TYPE A - 83 UNITS
TYPE B - 2 UNITS

NOTE: ALL FIGURES ARE ESTIMATES AND SERVE FOR QUOTATION PURPOSES ONLY.

KEY

- A** 5mm 316 STAINLESS STEEL L BRACKET WITH 5mm RADIUS ROUNDED EDGES. POWDER COATED TO MATCH EXISTING BALUSTER
- B** NOMINAL 1300mm x 900mm GLASS PANEL, TEMPERED, LAMINATED AND EDGES POLISHED.
- C** 316 STAINLESS STEEL GLASS ADAPTER ø30mm, FLAT, M8 THREAD
- D** STAINLESS STEEL COUNTERSUNK M8 BOLT
- E** ø42mm 316 STAINLESS STEEL SEAMLESS HANDRAIL TUBE FIXED ON ø20mm 316 STAINLESS STEEL BALUSTERS.
- F** 316 STAINLESS STEEL 90° GLASS CONNECTOR. POWDER COATED TO MATCH EXISTING BALUSTER

NOTE: ALL NOTES FOR GUIDELINE PURPOSES ONLY. DIMENSIONS AND SPECIFICATIONS TO BE CONFIRMED BY SPECIALIST GLAZING SUPPLIER AND STRUCTURAL ENGINEER



EXISTING EXTERNAL HANDRAIL



INTERNAL HANDRAIL PRECEDENT

General Notes Copyright © EdgeDesignWorkshop Ltd. 2018 This drawing is not to be reproduced, copied or given to a third party without express permission. Do not scale drawings. Dimensions govern. All dimensions shall be verified on site before proceeding with the work. All dimensions given in millimetres unless stated otherwise. All drawings to be read in conjunction with other consultants drawings and specifications. EdgeDesignWorkshop Ltd. are to be formally notified of any discrepancies.	Specific Notes	Revision	Date	Drawn	Checked	Details of revision	Project CENTRAL SAINT MARTINS, GRANARY BUILDING, 1 GRANARY SQUARE, KINGS CROSS, LONDON, N1C 4AA PROPOSED THIRD FLOOR ROOF TERRACE BALUSTRADE	EdgeDesignWorkshop Ltd. Number 07 Royal Well Place Cheltenham, Glos. GL50 3DN 0044 [0]1242 528 111 mail@edgedesignworkshop.com www.edgedesignworkshop.com	Status PLANNING AND LISTED BUILDING CONSENT Job/Dwg/Rev No. 1428_305 EdgeDesignWorkshop
		Date	19 03 2018	Scale	N/A @ A3	Drawn By	MW	Checked By	JDP