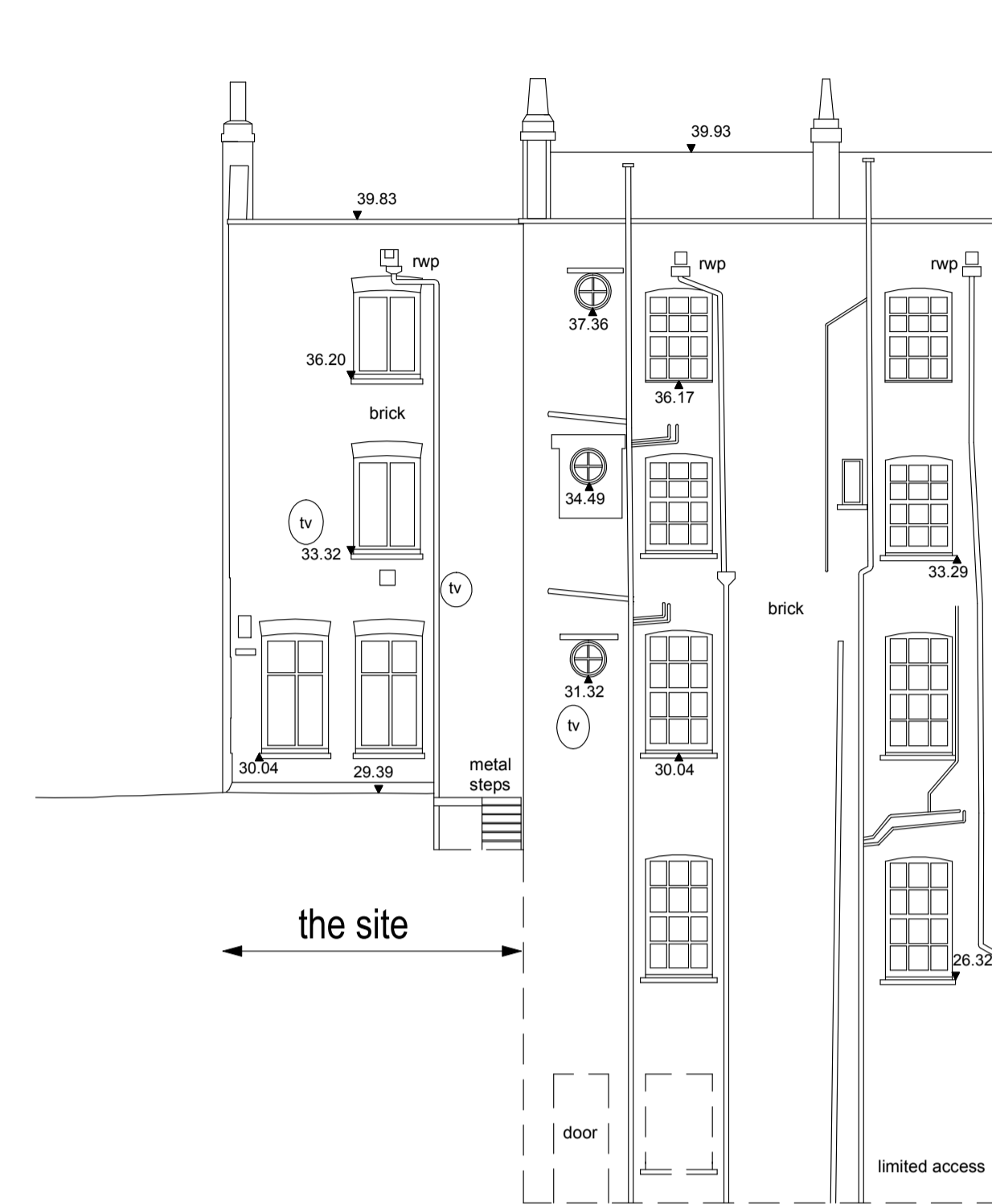


# EXISTING ELEVATIONS



**A** FRONT ELEVATION- EXISTING  
1 Scale: 1:100

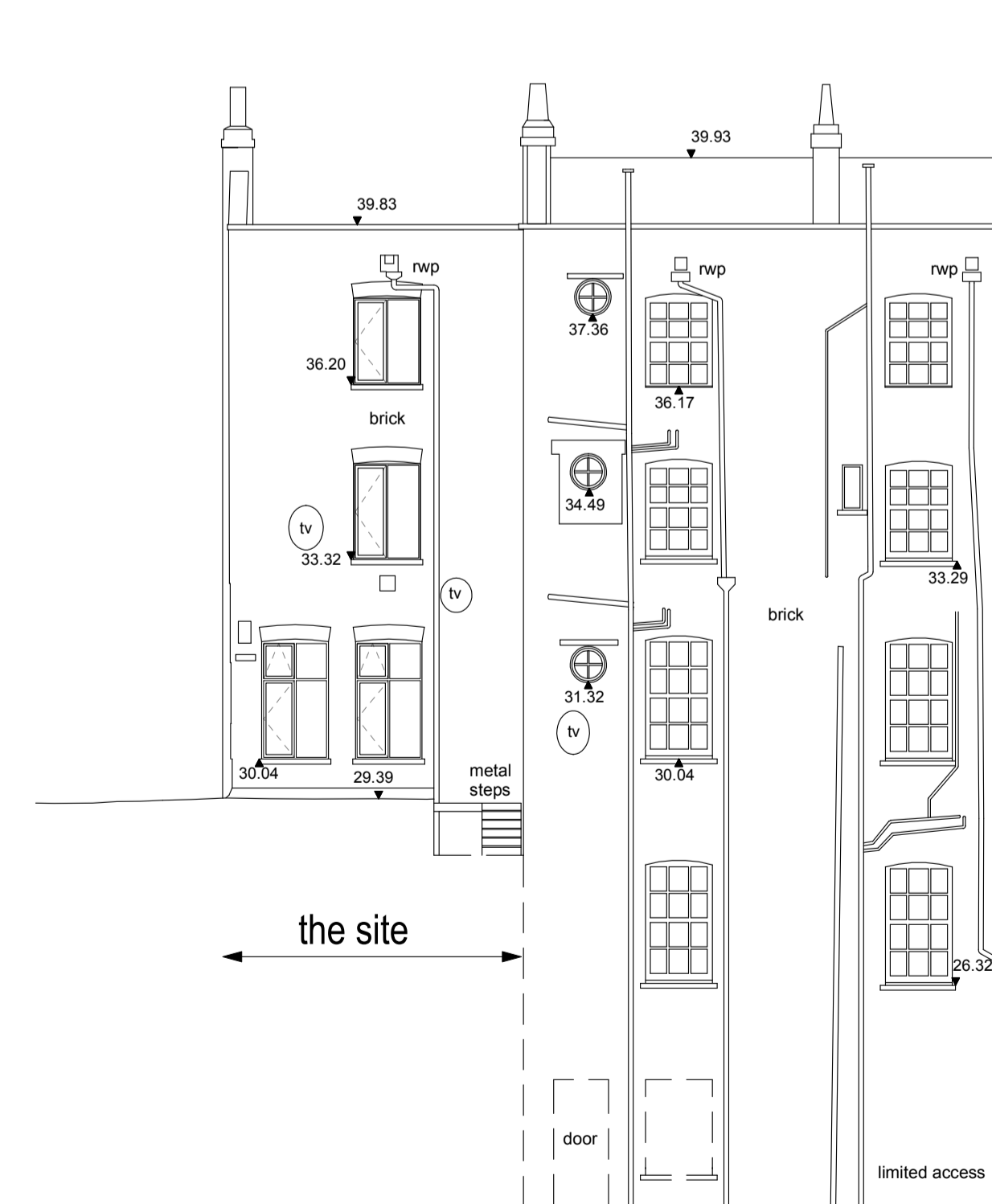


**B** REAR ELEVATION- EXISTING  
1 Scale: 1:100

# PROPOSED ELEVATIONS

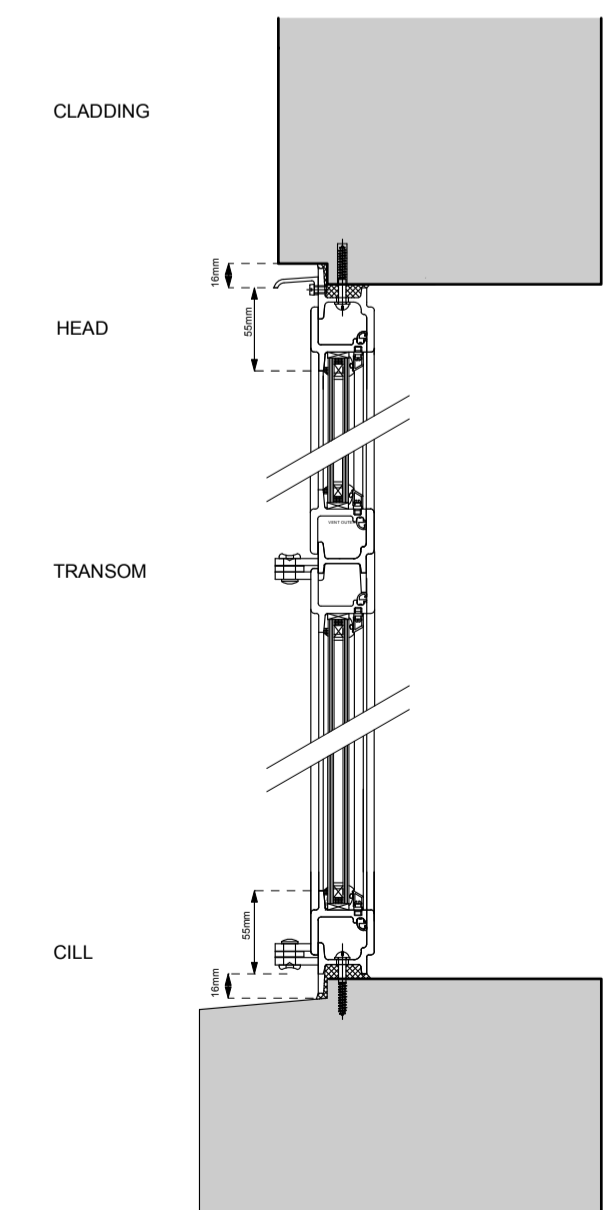


**C** FRONT ELEVATION- PROPOSED  
1 Scale: 1:100



**D** REAR ELEVATION- PROPOSED  
1 Scale: 1:100

# WINDOW DETAIL



**E** W20E3 CRITTAL WINDOW DETAIL  
1 Scale: 1:5

LICENSE  
NO IMPLIED LICENSE EXISTS. THIS DRAWING SHOULD NOT BE USED TO CALCULATE AREAS FOR THE PURPOSES OF VALUATION OF LAND OR DO NOT SCALE THIS DRAWING.

NOTES  
SURVEYS NOT FOR CONSTRUCTION. FOR PLANNING, DESIGN AND LAYOUT PURPOSES ONLY.

Rev	Date	Description
PROJECT TITLE 39-41 NEW OXFORD STREET		
ISSUE/REVISION		
PROJECT ID	146	
CAD FILE NAME		
DRAWN BY	MK	
CHECKED BY	AC	
ISSUE DATE:	09/10/2014	
SHEET TITLE EXISTING AND PROPOSED ELEVATIONS AND DETAIL		
SCALE	SCALE AS INDICATED @A1 NTS @A3	
DRAWING NO.	0146_PL_201	

