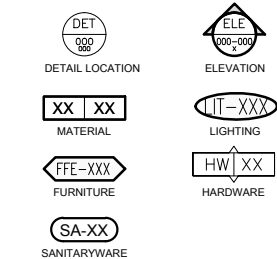


NB. ALL DRAWING REFERENCE NUMBERS HAVE 'JW-ID-9T-09' PREFIX

KEY PLAN

DRAWING LEGEND



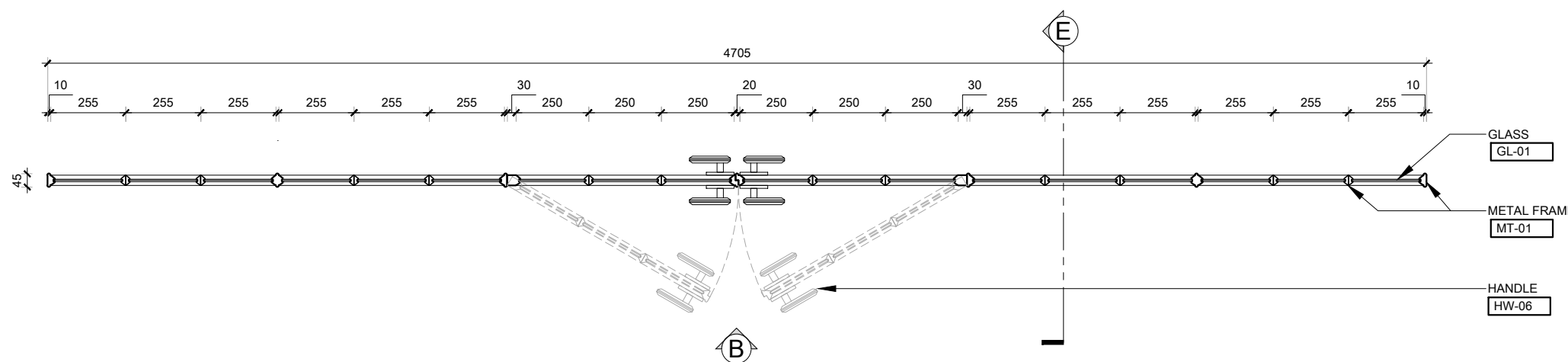
REVISION	COMMENT	DATE
D1	DESIGN DEVELOPMENT	21-03-18

DESIGN INTENT ONLY

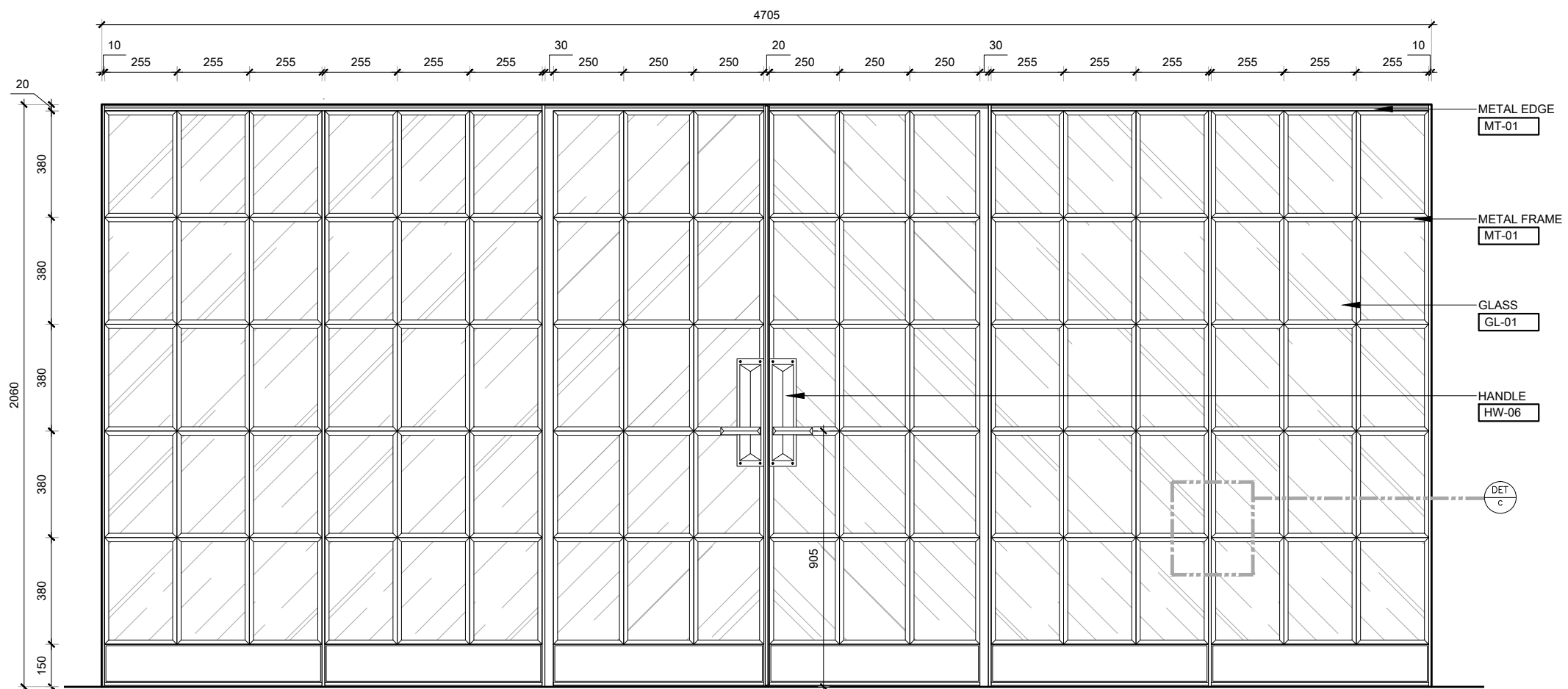
DESIGN DEVELOPMENT

PROJECT TITLE	
STUDIO, LONDON	
DRAWING TITLE	
DETAIL - FACADE GLASS DOORS	
DRAWING NUMBER	
JW-ID-GF-00-DW-7002	
DATE	DRAWN
21.03.2018	GB
STUDIO	CHECKED
LDN	JL
JOB NUMBER	SCALE
JWL	VARIES@ A3

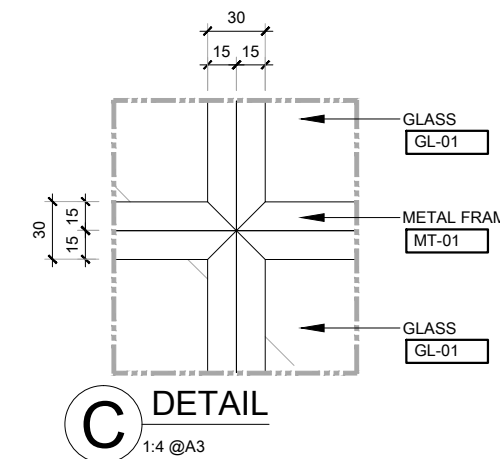
ALL IDEAS, DESIGNS AND PLANS INDICATED OR REPRESENTED BY THESE DRAWINGS ARE OWNED BY AND ARE THE PROPERTY OF JOYCE WANG LTD. AND WERE CREATED AND DEVELOPED FOR USE IN CONNECTION WITH THE SPECIFIED PROJECT. NONE OF SUCH IDEAS, DESIGNS OR PLANS SHALL BE USED FOR ANY PURPOSE WHATSOEVER WITHOUT WRITTEN PERMISSION OF JOYCE WANG LTD. DO NOT SCALE FROM DRAWINGS. CONTRACTORS HAVE THE RESPONSIBILITY TO DEVELOP ALL DETAILS FURTHER WHEN REQUIRED. DO NOT SCALE FROM THIS DRAWING.



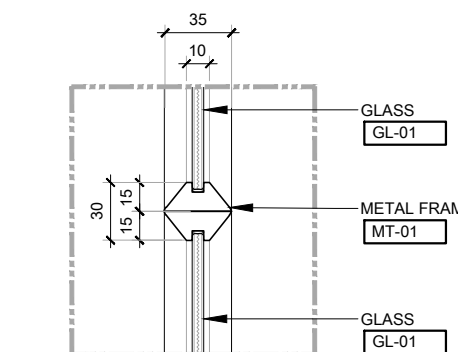
A PLAN - FACADE GLASS DOORS
1:20 @A3



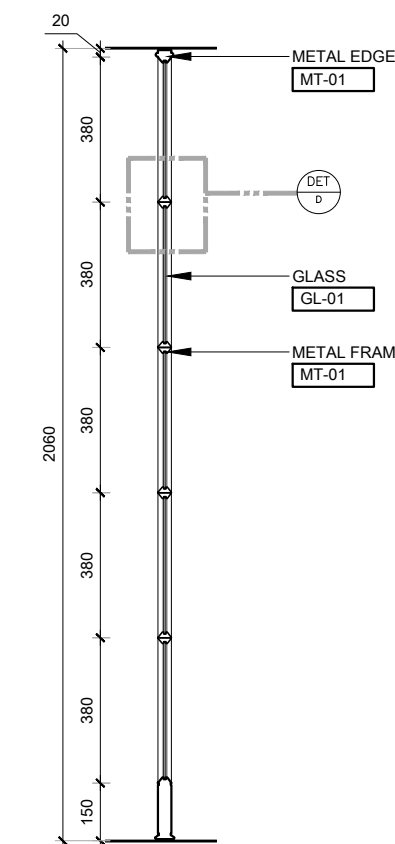
B FRONT ELEVATION - FACADE GLASS DOORS
1:20 @A3



C DETAIL
1:4 @A3



D DETAIL
1:4 @A3



E SECTION
1:20 @A3