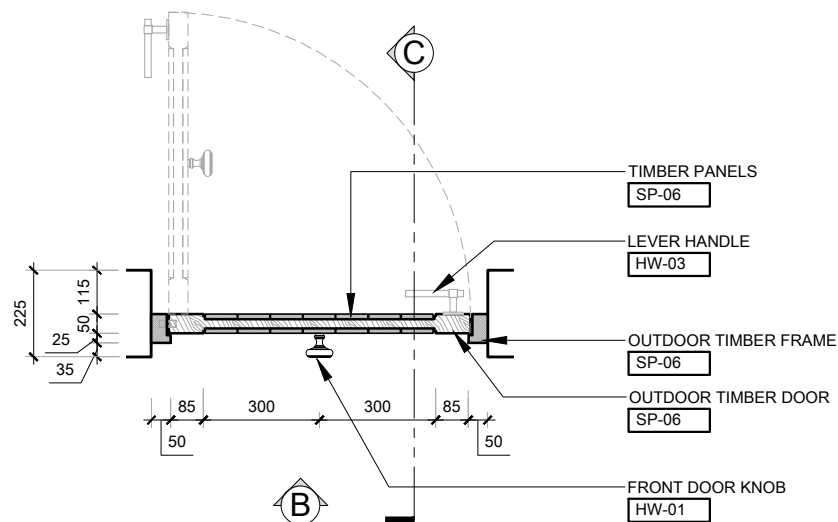


NB: ALL TIMBER TO MATCH THE EXISTING BLACK LACQUERED FINISH

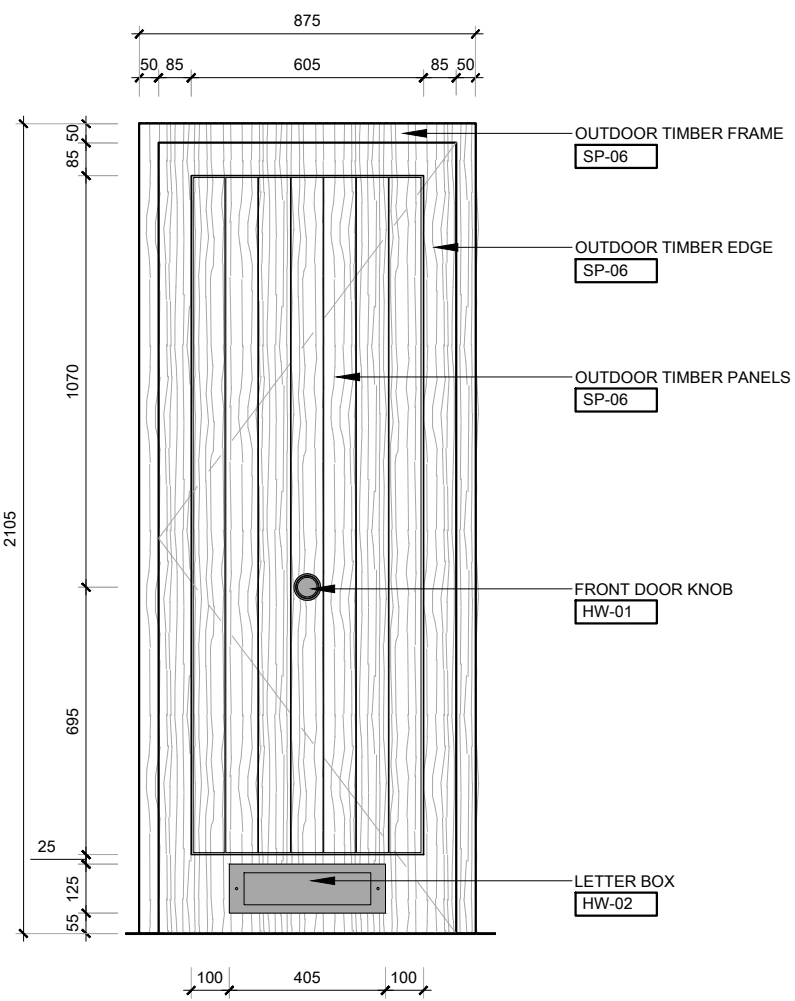
**WANG**  
JFK | LHR | HKG

**LHR**  
+44 (0) 207 436 8846  
THIRD FLOOR,  
76 GREAT PORTLAND STREET,  
LONDON  
W1W 7NL

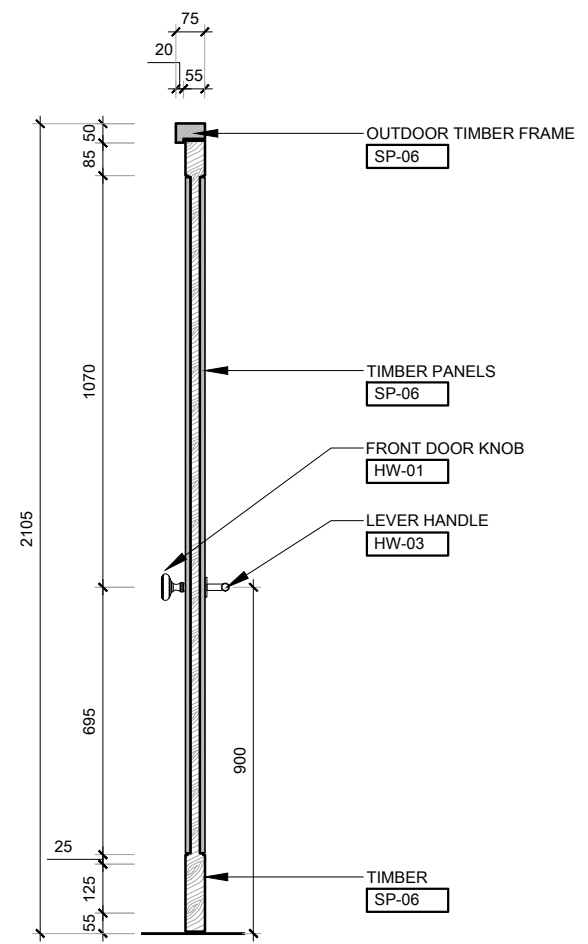
**HKG**  
+852 2804 1138  
18 SAU WAH FONG, G/F,  
WAN CHAI,  
HONG KONG



**A** PLAN - ENTRANCE DOOR  
1:20 @A3



**B** FRONT ELEVATION - ENTRANCE DOOR  
1:20 @A3



**C** SECTION  
1:20 @A3

NB. ALL DRAWING REFERENCE NUMBERS HAVE 'JW-ID-9T-09' PREFIX

KEY PLAN

DRAWING LEGEND

DET	ELE
DETAIL LOCATION	ELEVATION
XX	LIT-XXX
MATERIAL	LIGHTING
FFE-XXX	HW XX
FURNITURE	HARDWARE
SA-XX	
SANITARYWARE	

REVISION	COMMENT	DATE
D1	DESIGN DEVELOPMENT	21-03-18

DESIGN INTENT ONLY

**DESIGN DEVELOPMENT**

PROJECT TITLE	
STUDIO, LONDON	
DRAWING TITLE	
DETAIL - ENTRANCE DOOR	
DRAWING NUMBER	
JW-ID-GF-00-DW-7000	
DATE	DRAWN
21.03.2018	GB
STUDIO	CHECKED
LDN	JL
JOB NUMBER	SCALE
JWL	1:20@A3

ALL IDEAS, DESIGNS AND PLANS INDICATED OR REPRESENTED BY THESE DRAWINGS ARE OWNED BY AND ARE THE PROPERTY OF JOYCE WANG LTD. AND WERE CREATED AND DEVELOPED FOR USE IN CONNECTION WITH THE SPECIFIED PROJECT. NONE OF SUCH IDEAS, DESIGNS OR PLANS SHALL BE USED FOR ANY PURPOSE WHATSOEVER WITHOUT WRITTEN PERMISSION OF JOYCE WANG LTD. DO NOT SCALE FROM DRAWINGS. CONTRACTORS HAVE THE RESPONSIBILITY TO DEVELOP ALL DETAILS FURTHER WHEN REQUIRED. DO NOT SCALE FROM THIS DRAWING.