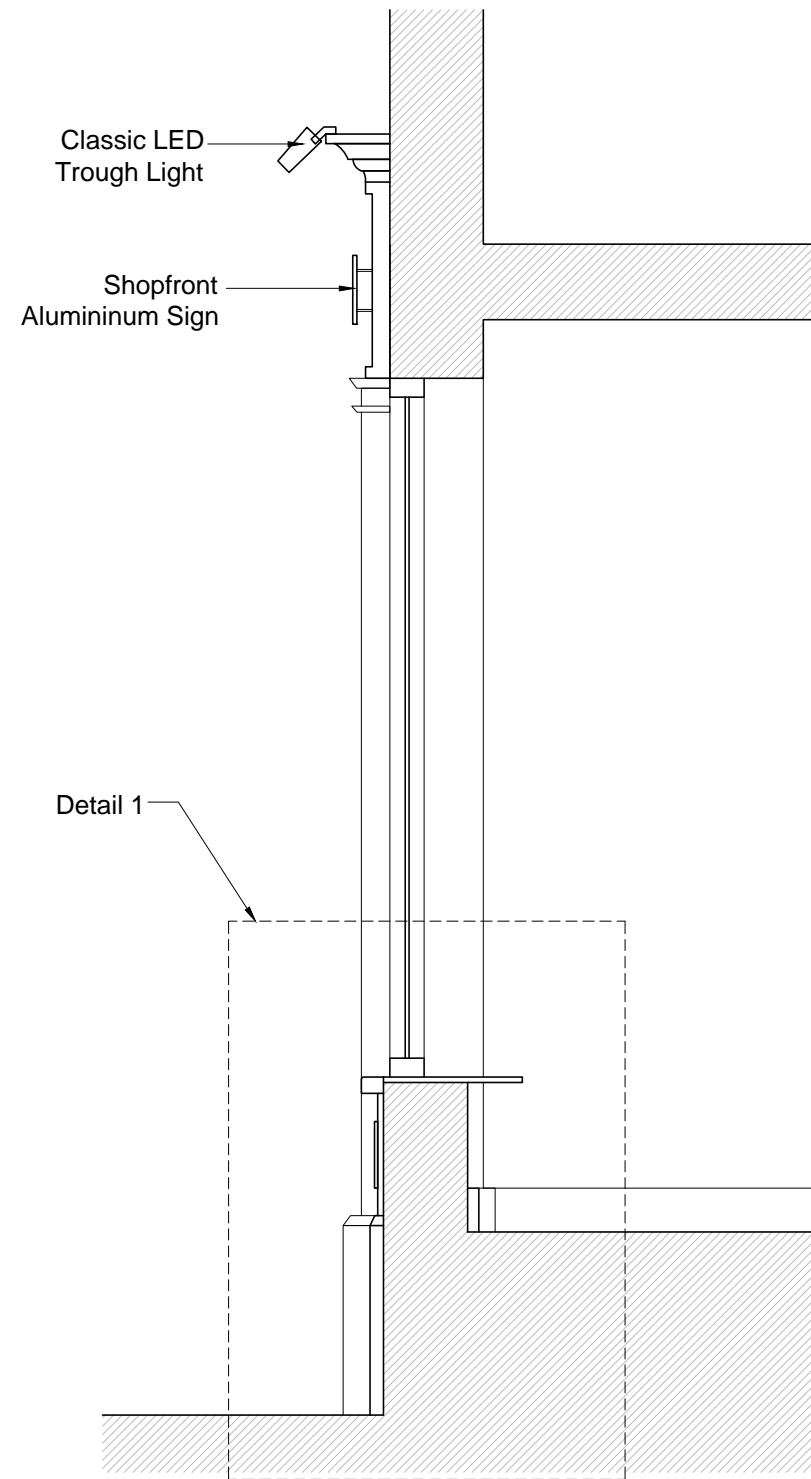


0m 0.5m 1m 1.5m 2m

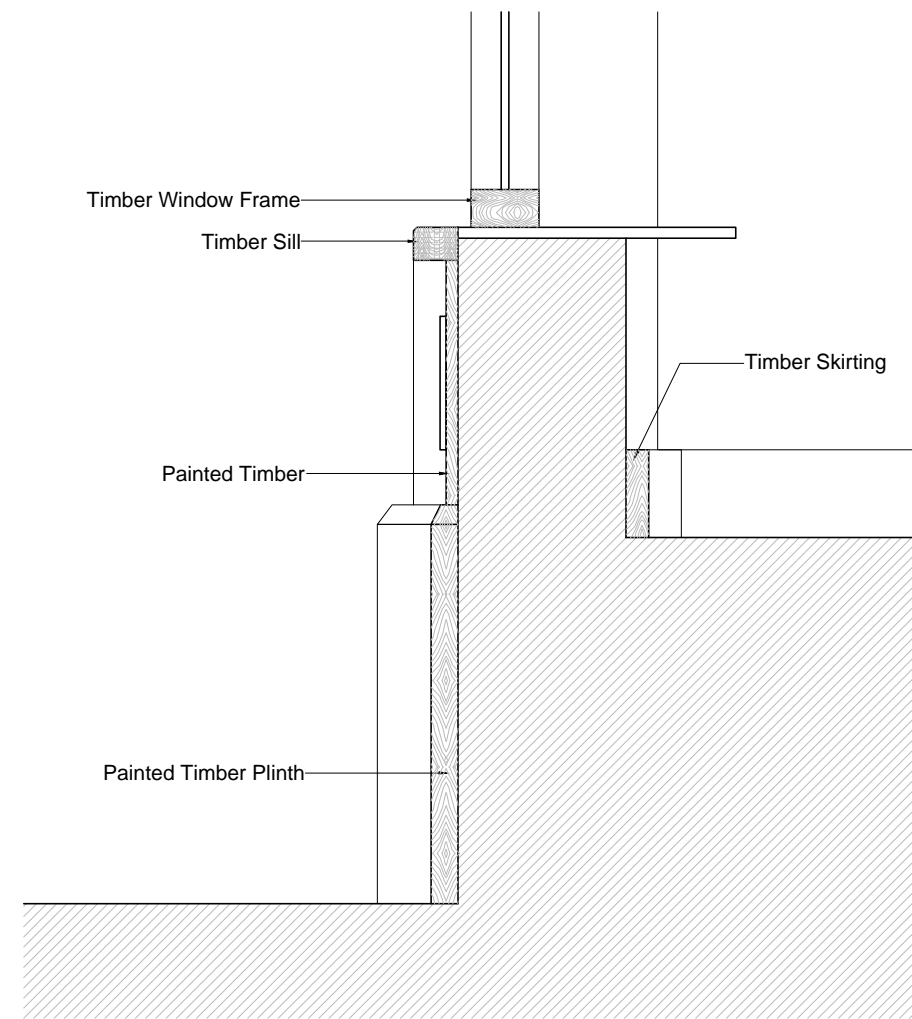
Scale 1:20

0m 0.2m 0.4m 0.6m 0.8m 1m

Scale 1:10



1 / Section A-A, Scale 1:20



2 / Detail 1, Scale 1:10

Job Title:

New Shopfront

Drawing Title:

Existing Sections

Revision Notes:

-

CLIENT : Dexters LTD
SITE: 35 Highgate High Street, London, N6 5JT
-
-

This drawing must not be reproduced in whole or part without written consent. Do not scale this drawing. Written dimensions to be checked on site. Electronic issue to be confirmed by paper copy only.



Ideal Planning and Design Ltd.
Hyde Park House
5 Manfred Road,
London, SW15 2RS
Tel: 0208 8230750
Web: www.idealplanningdesign.co.uk
Email: info@idealpd.co.uk

Scale: 1:20 @ A3

Date: 05/04/2018

Drawn By: SS

Checked By: CG

PROJECT
1422

Drawing No
04

Rev
-