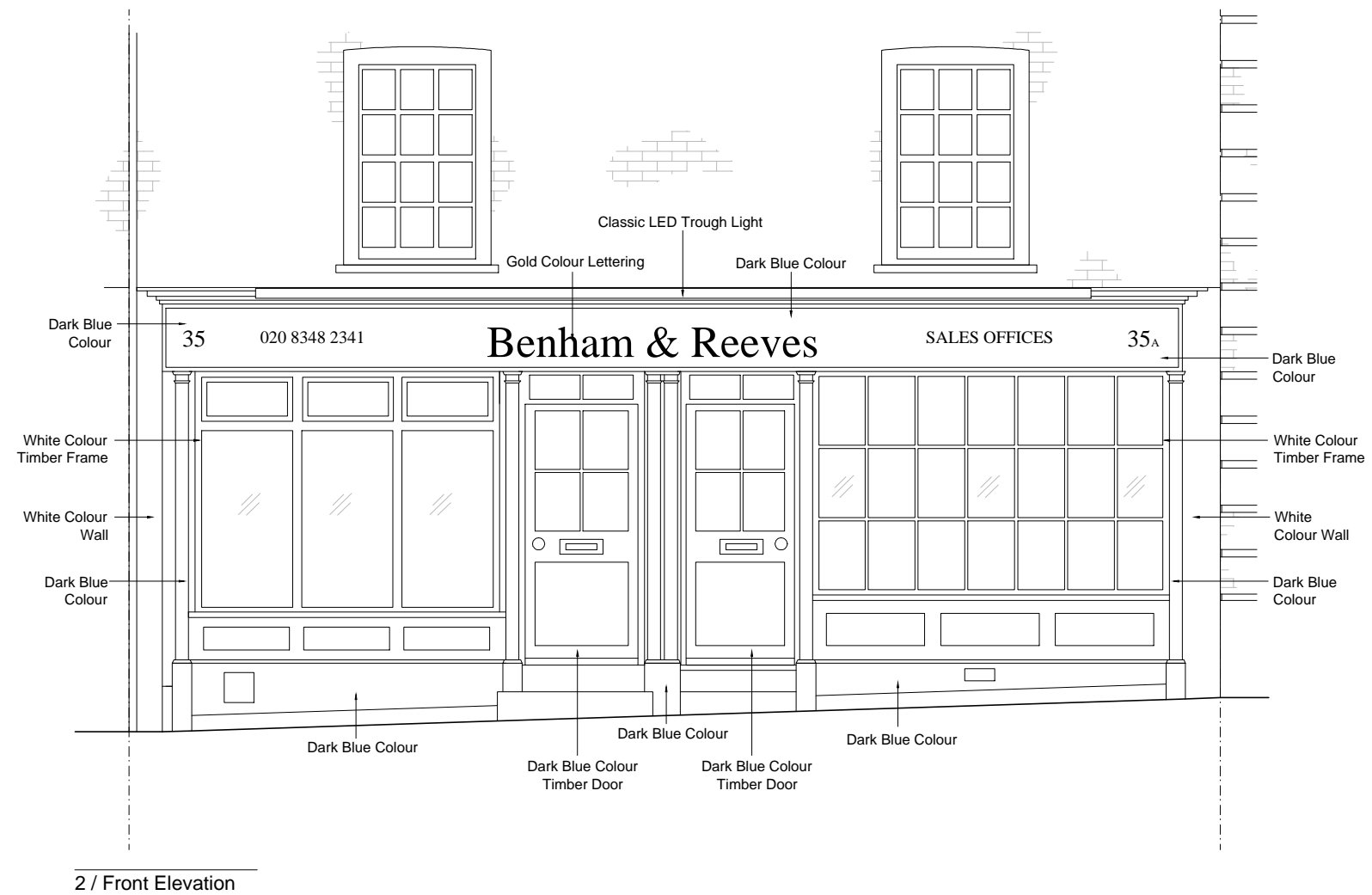
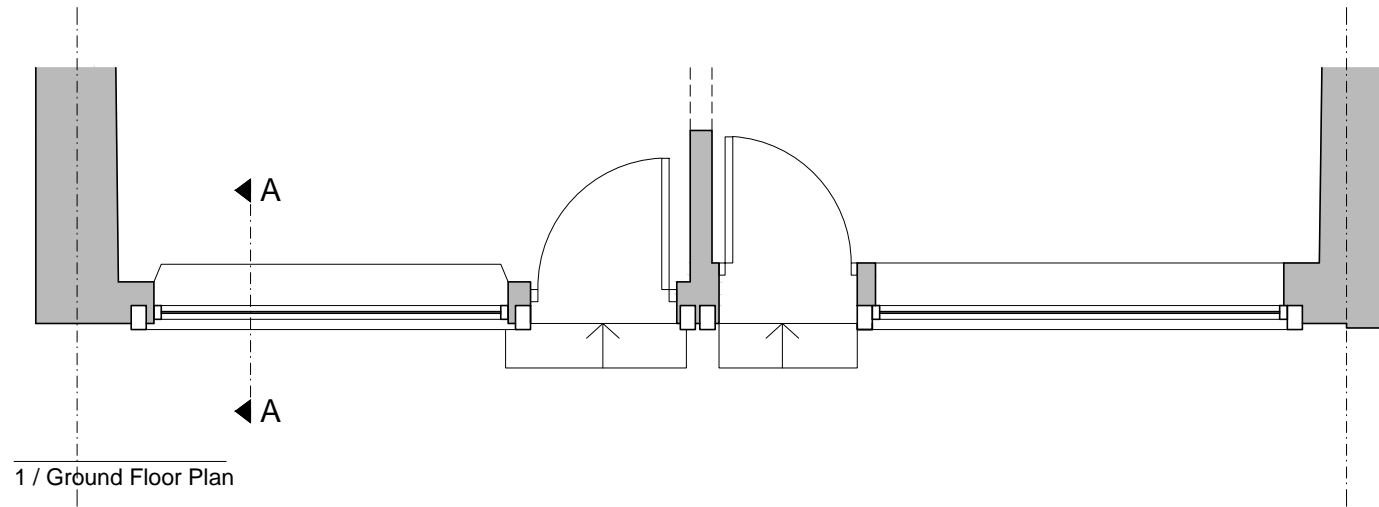


0m 1m 2m 3m 4m 5m  
Scale 1:50



Job Title:  
**New Shopfront**

Drawing Title:  
**Existing Floor Plan and Elevation**

Revision Notes:

CLIENT : Dexters LTD  
SITE: 35 Highgate High Street, London, N6 5JT

This drawing must not be reproduced in whole or part without written consent. Do not scale this drawing. Written dimensions to be checked on site. Electronic issue to be confirmed by paper copy only.



Ideal Planning and Design Ltd.  
Hyde Park House  
5 Manfred Road,  
London, SW15 2RS  
Tel: 0208 8230750  
Web: www.idealplanningdesign.co.uk  
Email: info@idealpd.co.uk

Scale: 1:20 @ A3

Date: 05/04/2018

Drawn By: SS

Checked By: CG

PROJECT  
1422

Drawing No  
02

Rev  
-