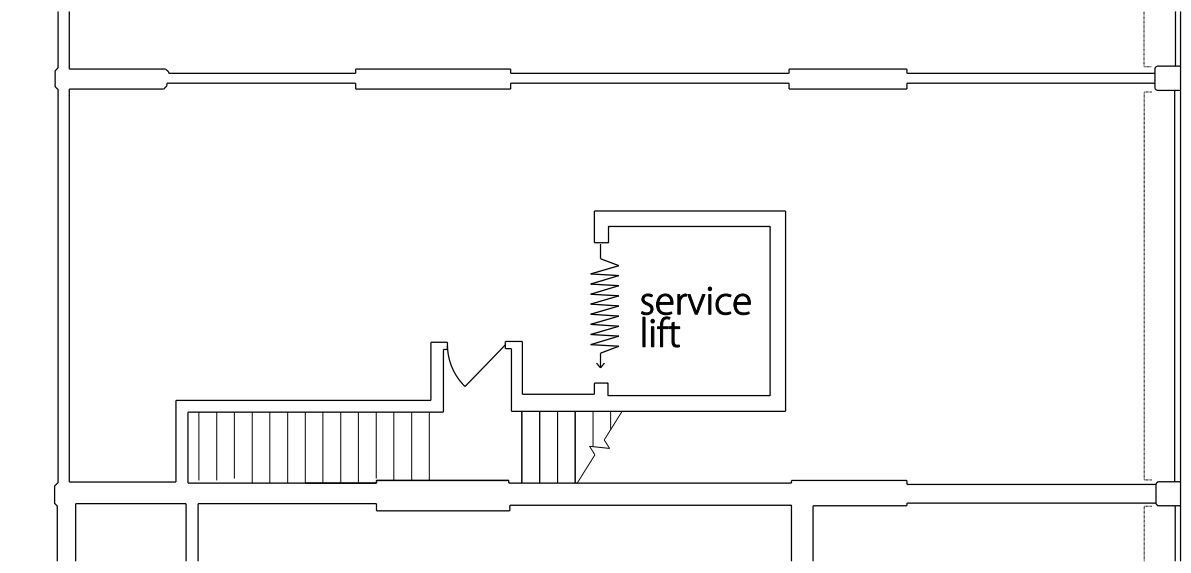


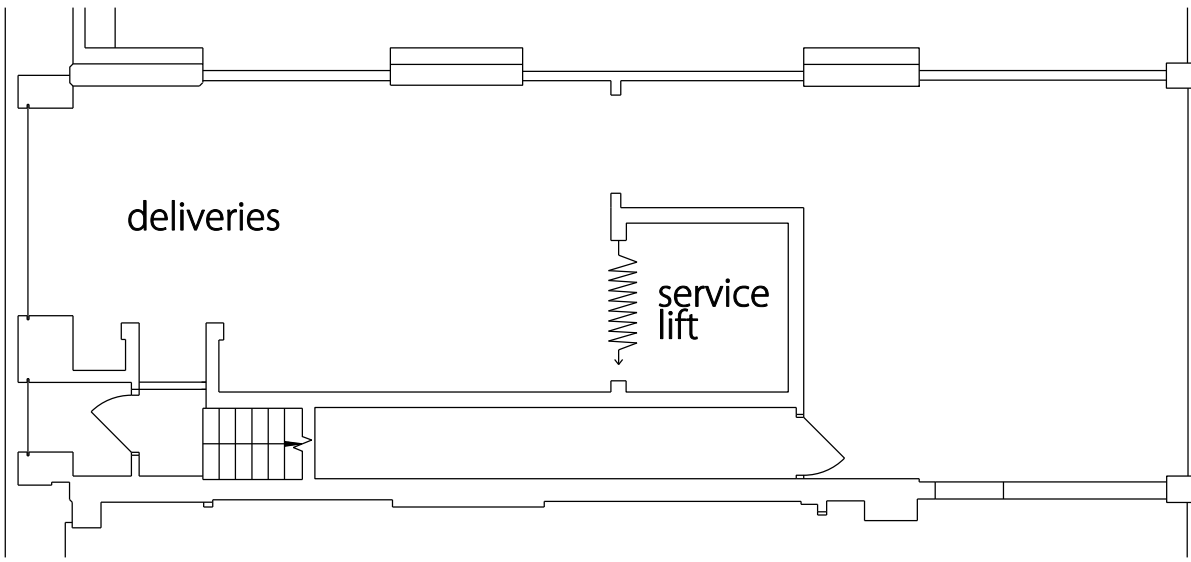
175m2 GIA



upper basement

75m2 GIA

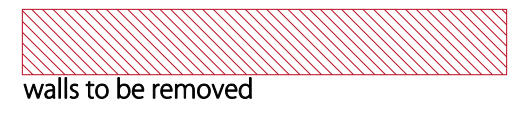
no alterations to walls or floors




lower basement

no alterations to walls or floors

72m2 GIA



 25 Goodge Place W1T 4SP London gabor@gborgallovarchitect.com www.gborgallovarchitect.com	Icco Brunswick Centre		
	DRAWING: existing plans		
	REVISION: No.:	P 01	SCALE: 1:100@A3
			DATE: March 2018

