

Copyright: All rights reserved. This drawing must not be reproduced without permission.

Only the original drawing should be relied upon. Contractors, subcontractors and suppliers must verify all dimensions on site before commencing any work or making any shop drawings.

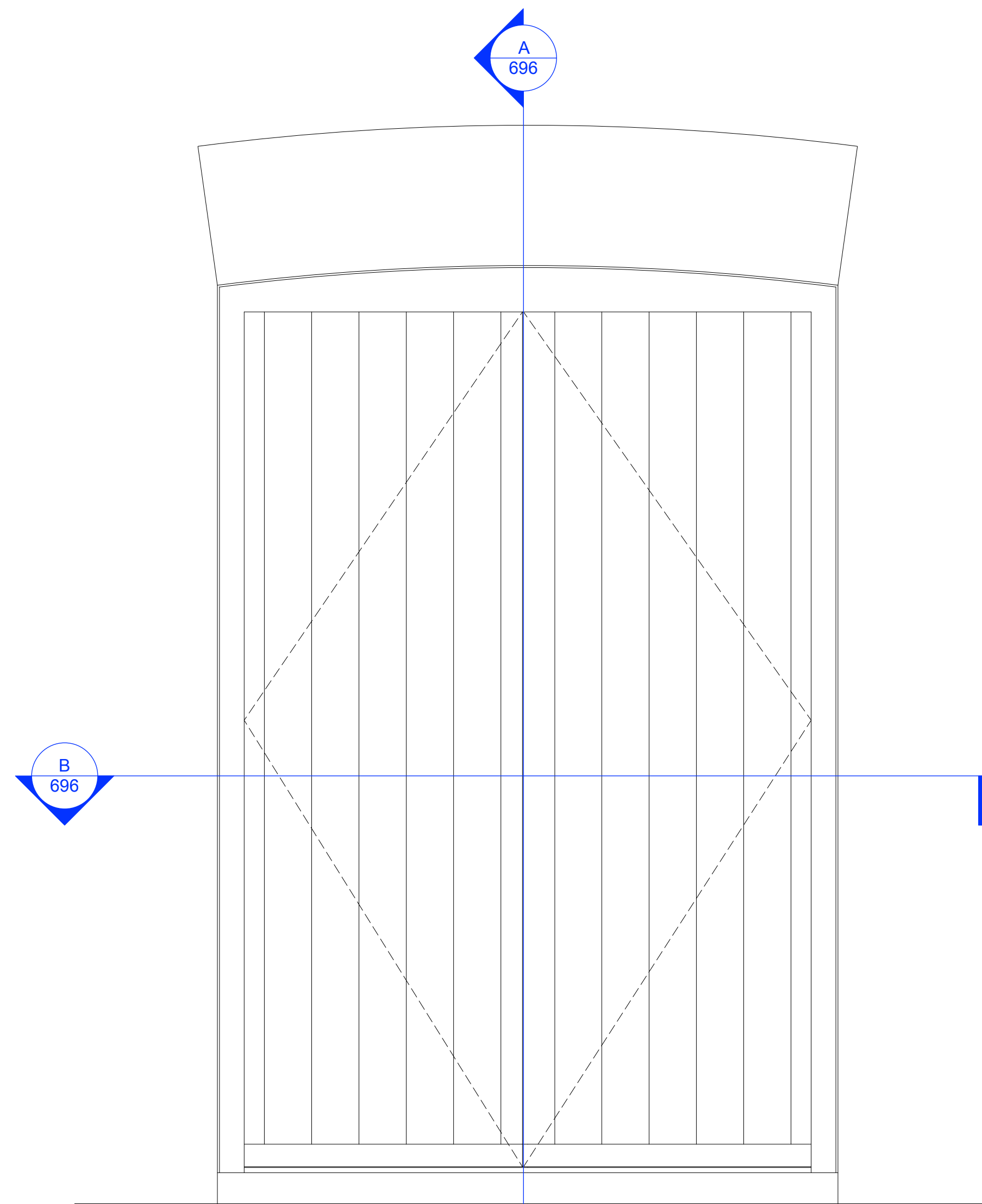
All shop drawings to be submitted to the architect for comment prior to fabrication.

This drawing is to be read in conjunction with the Architect's specification, bills of quantities / schedules, structural, mechanical & electrical drawings and all discrepancies are to be reported to the architect.

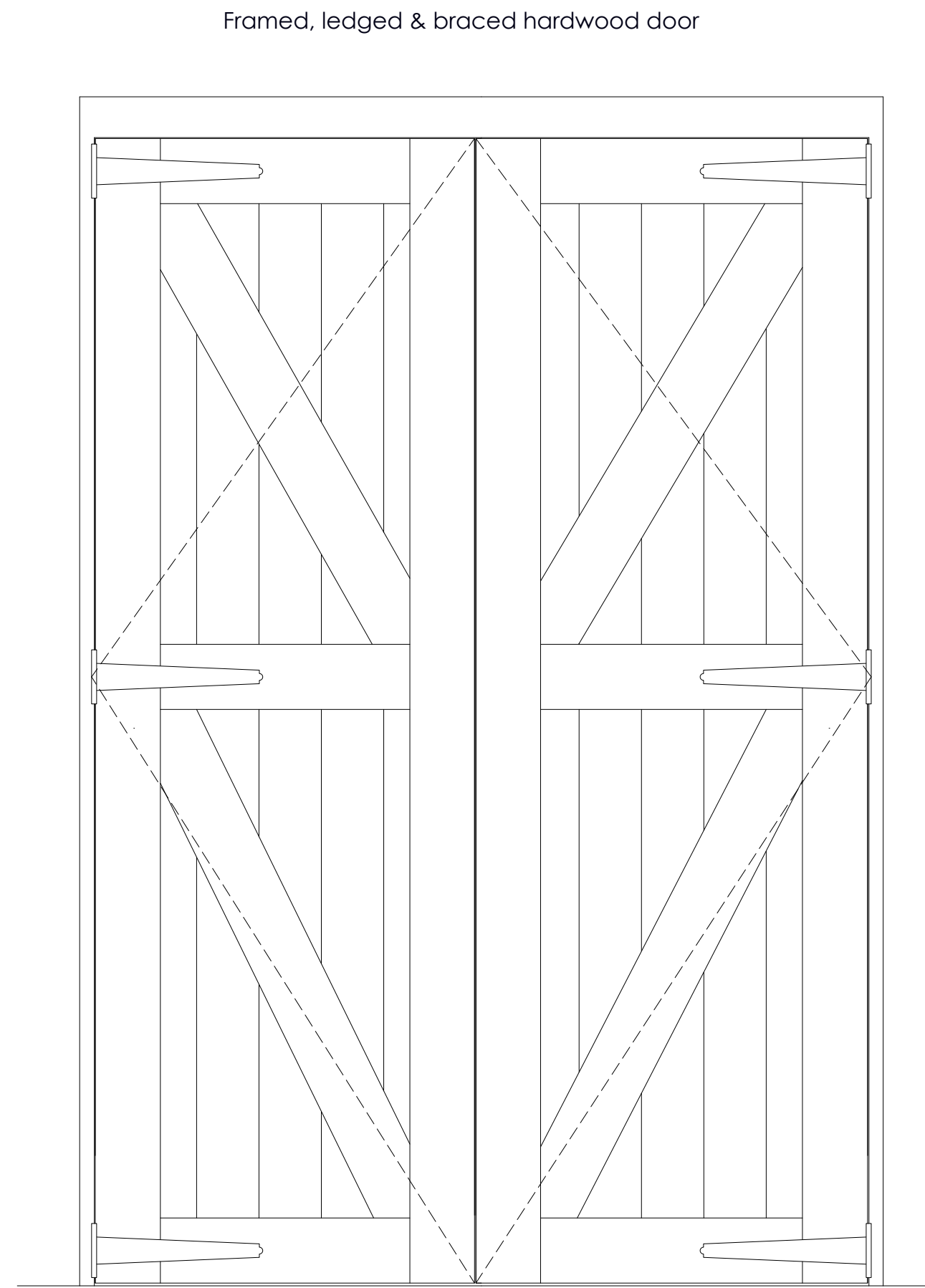
Do not scale from this drawing. Dimensions are in millimetres unless otherwise stated.

revision / date / amendments

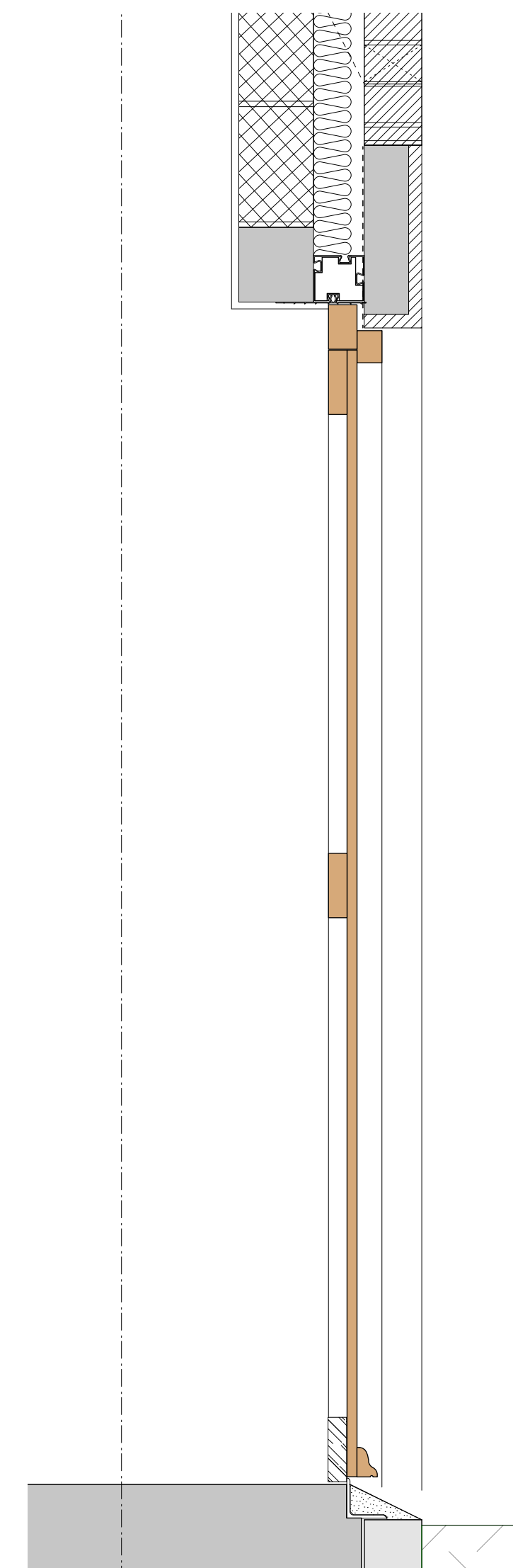
- / - / - / -



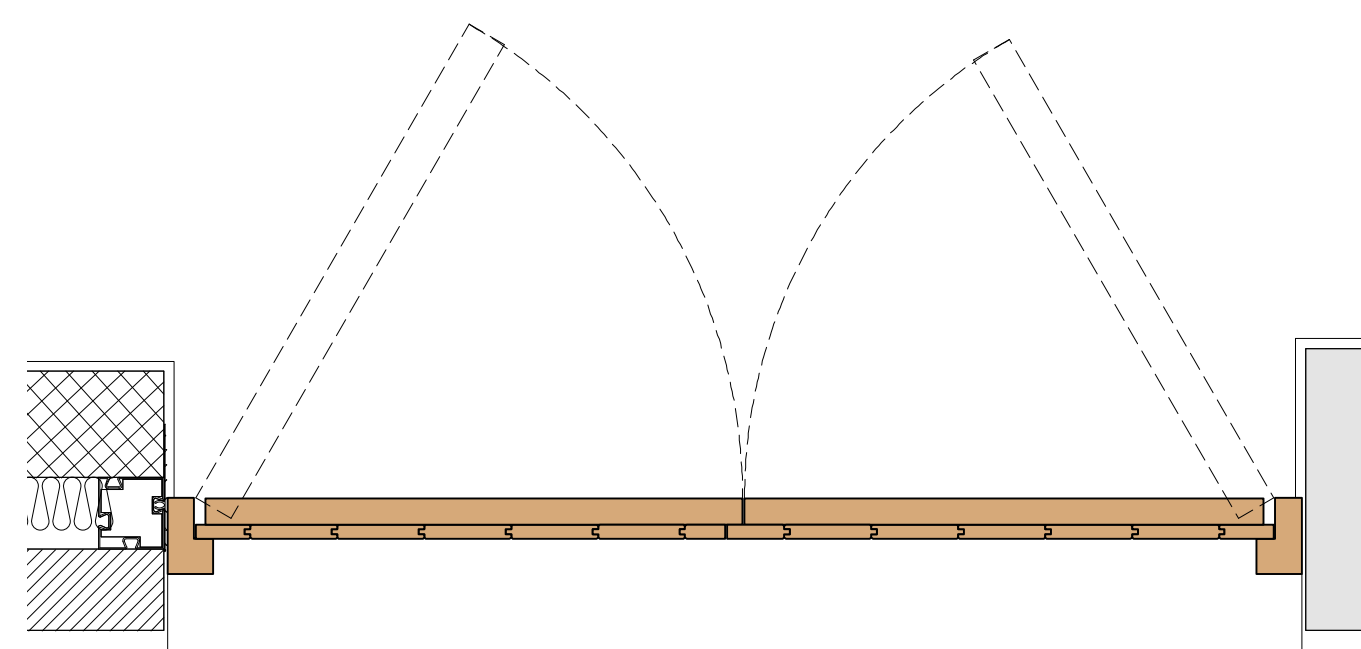
EXTERNAL ELEVATION  
Scale 1:10



INTERNAL ELEVATION  
Scale 1:10



SECTION A  
Scale 1:10

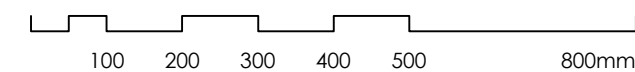


SECTIONS B - PLAN  
Scale 1:10

DG-07  
DG-08  
DG-09  
DG-10  
DG-11  
DG-12  
DG-32

23.03.18

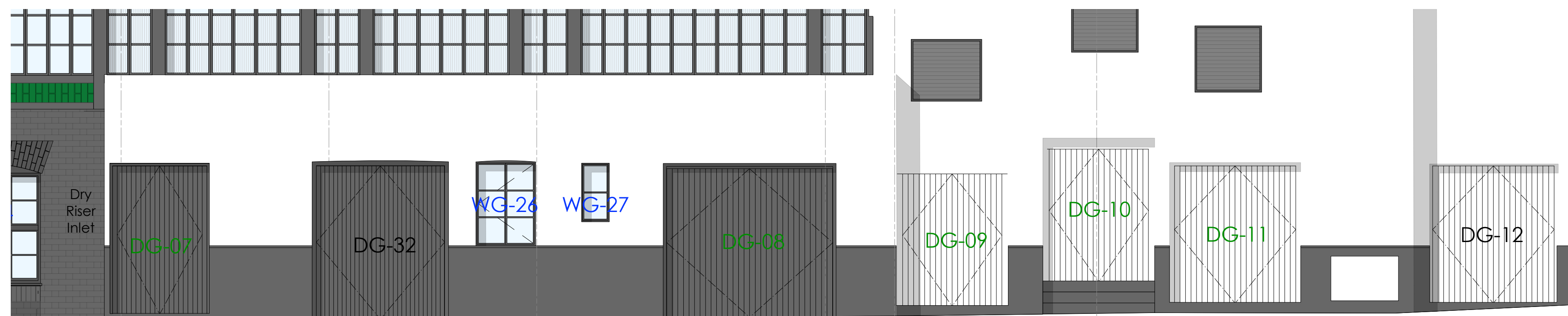
- NOTES:
1. Refer to door schedule for materials & finishes
  2. All dimensions are approximate
  3. Dimensions to be taken on site



STAGE 4

Archer Humphries Architects

Basement  
Central House  
142 Central Street  
London, United Kingdom  
EC1V 8AR  
T: +44 (0) 20 7251 8555



BAYHAM PLACE PARTIAL ELEVATION  
Scale 1:50

project title	KOKO + Hope & Anchor + Bayham Place Camden, London		
drawing title	scale	date	
Braced Hardwood Door Details	Varies/A1	23.03.18	
Typical doors along Bayham Place	drawn	PD	checked
drawing number	revision		
AHA / KKC / DET / 696	-		