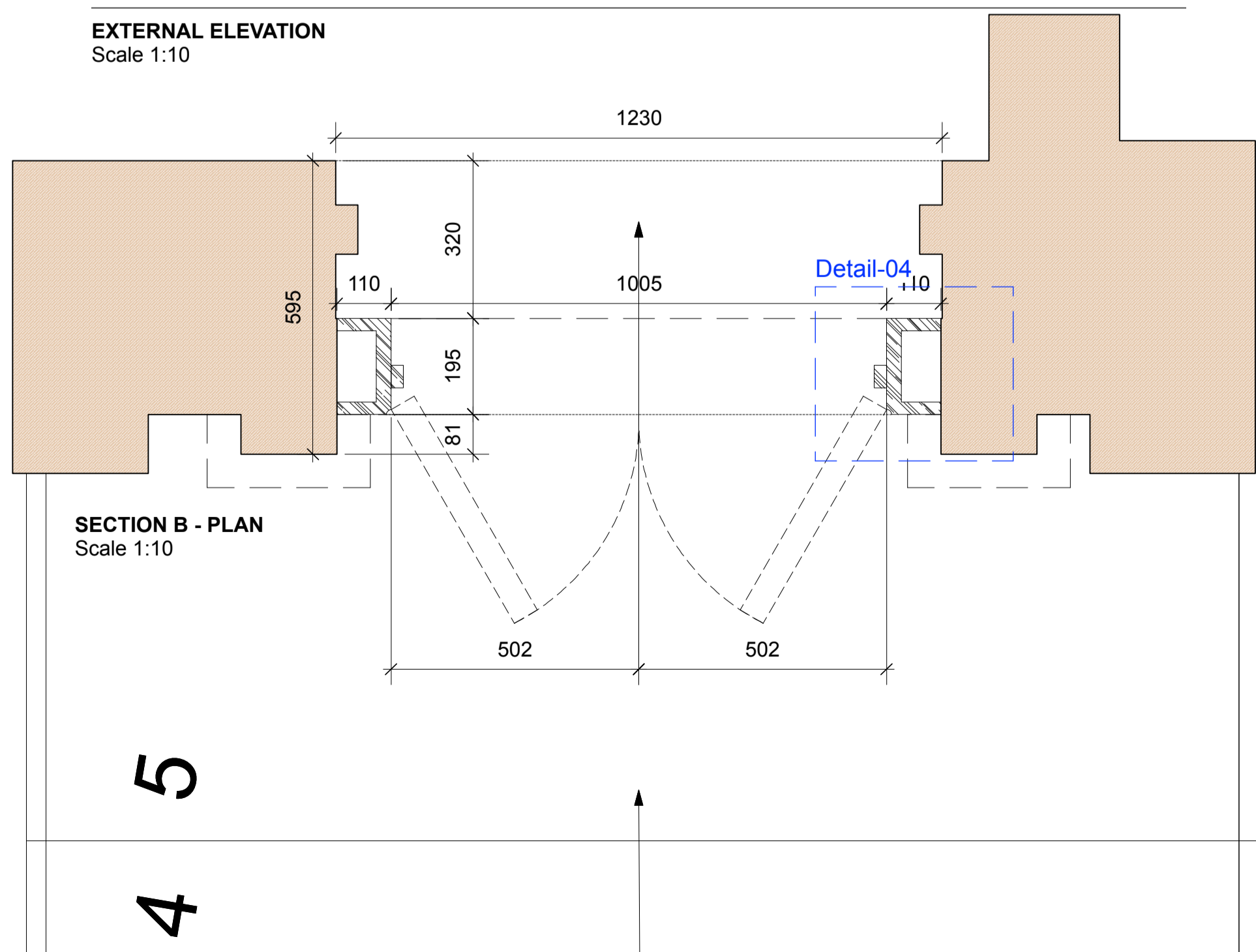
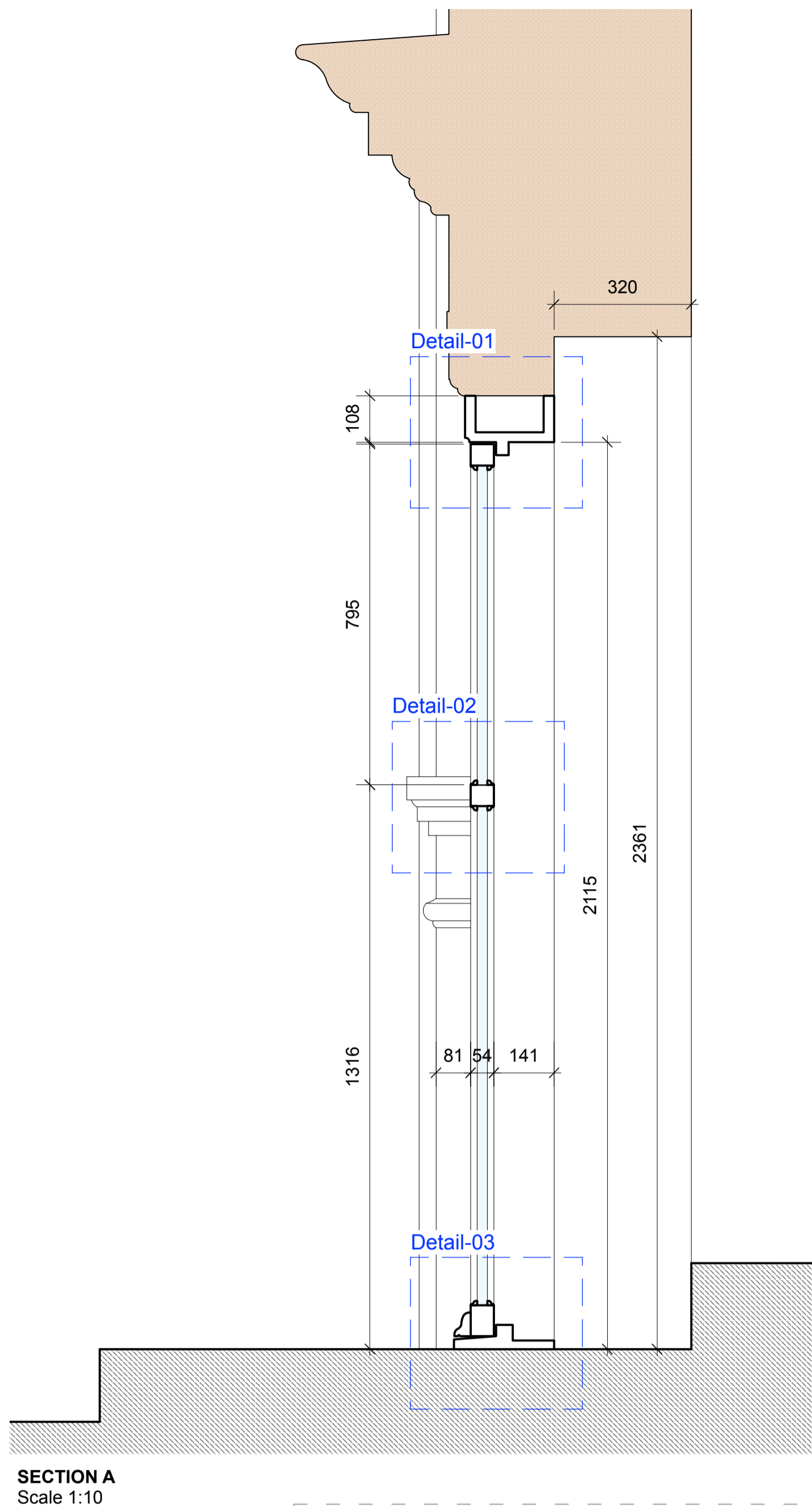


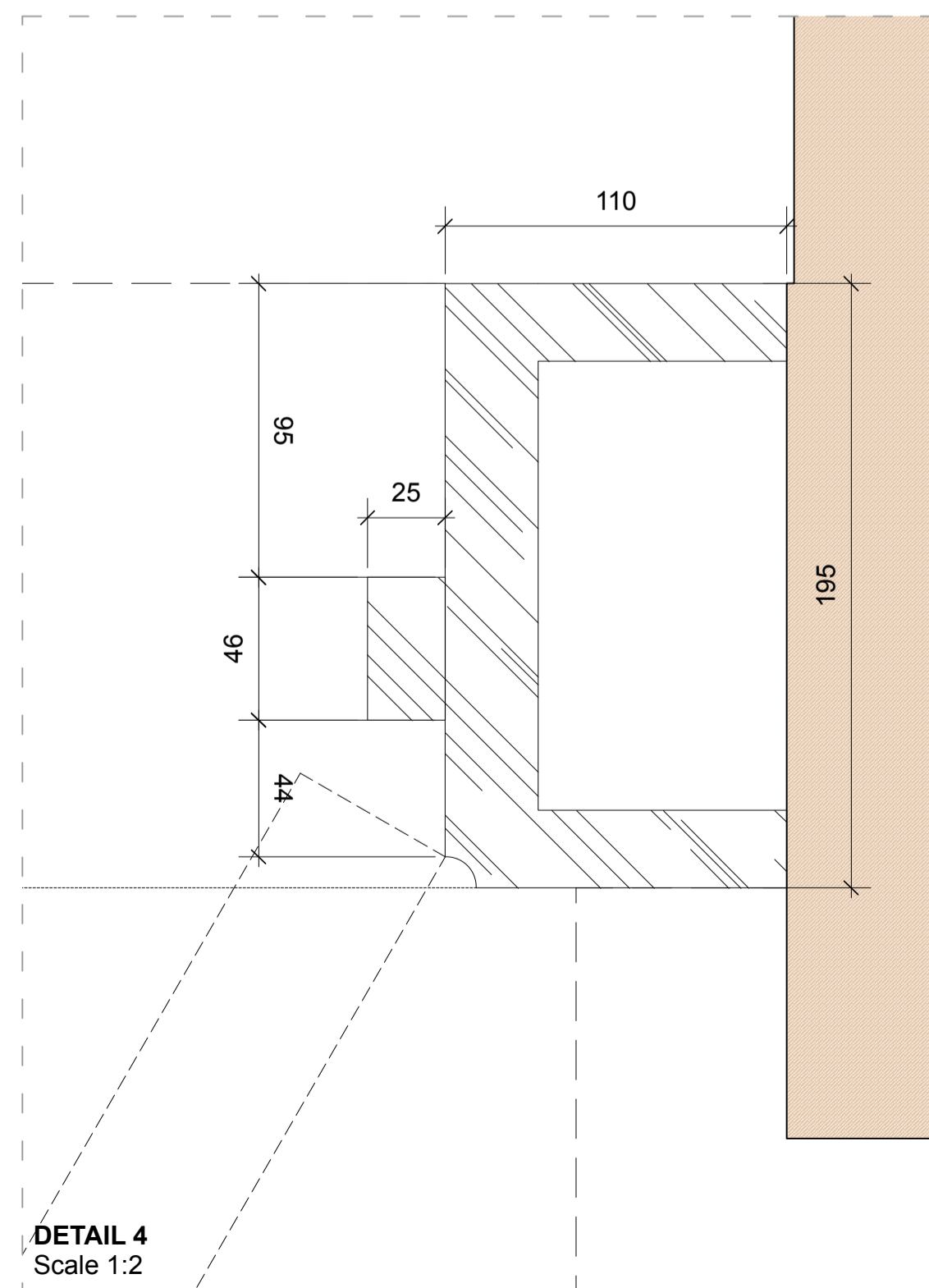
EXTERNAL ELEVATION
Scale 1:10



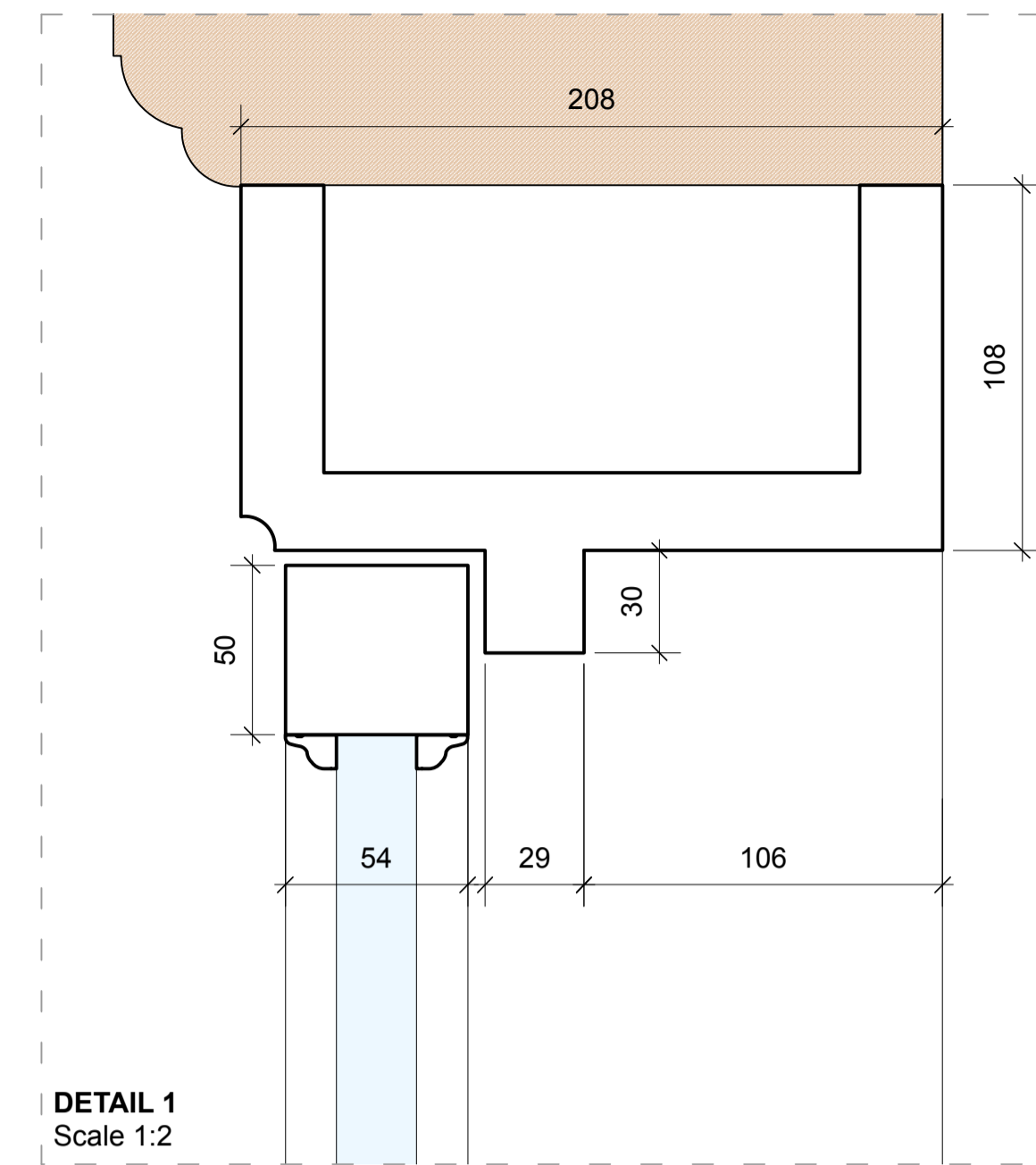
SECTION B - PLAN
Scale 1:10



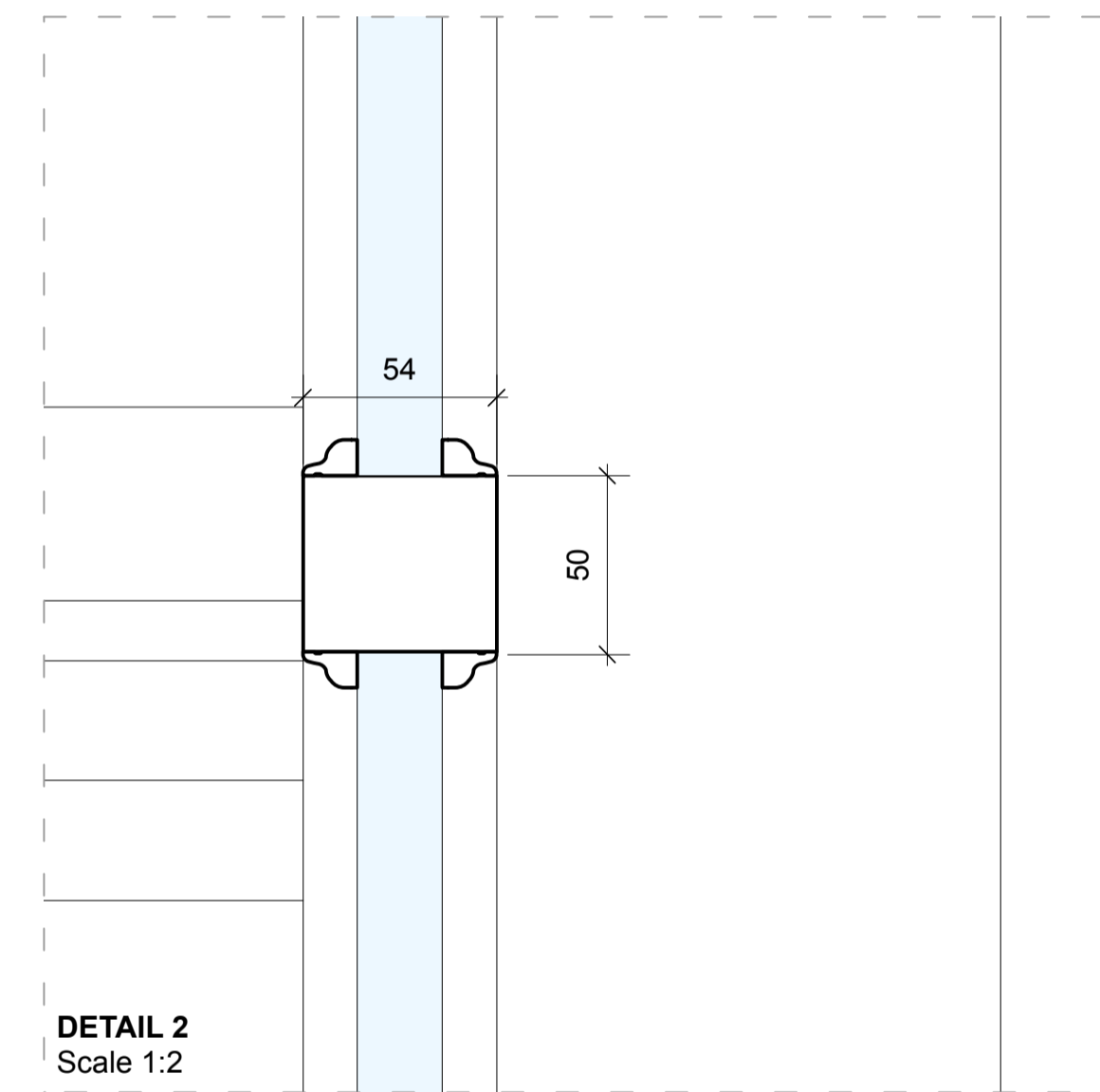
SECTION A
Scale 1:10



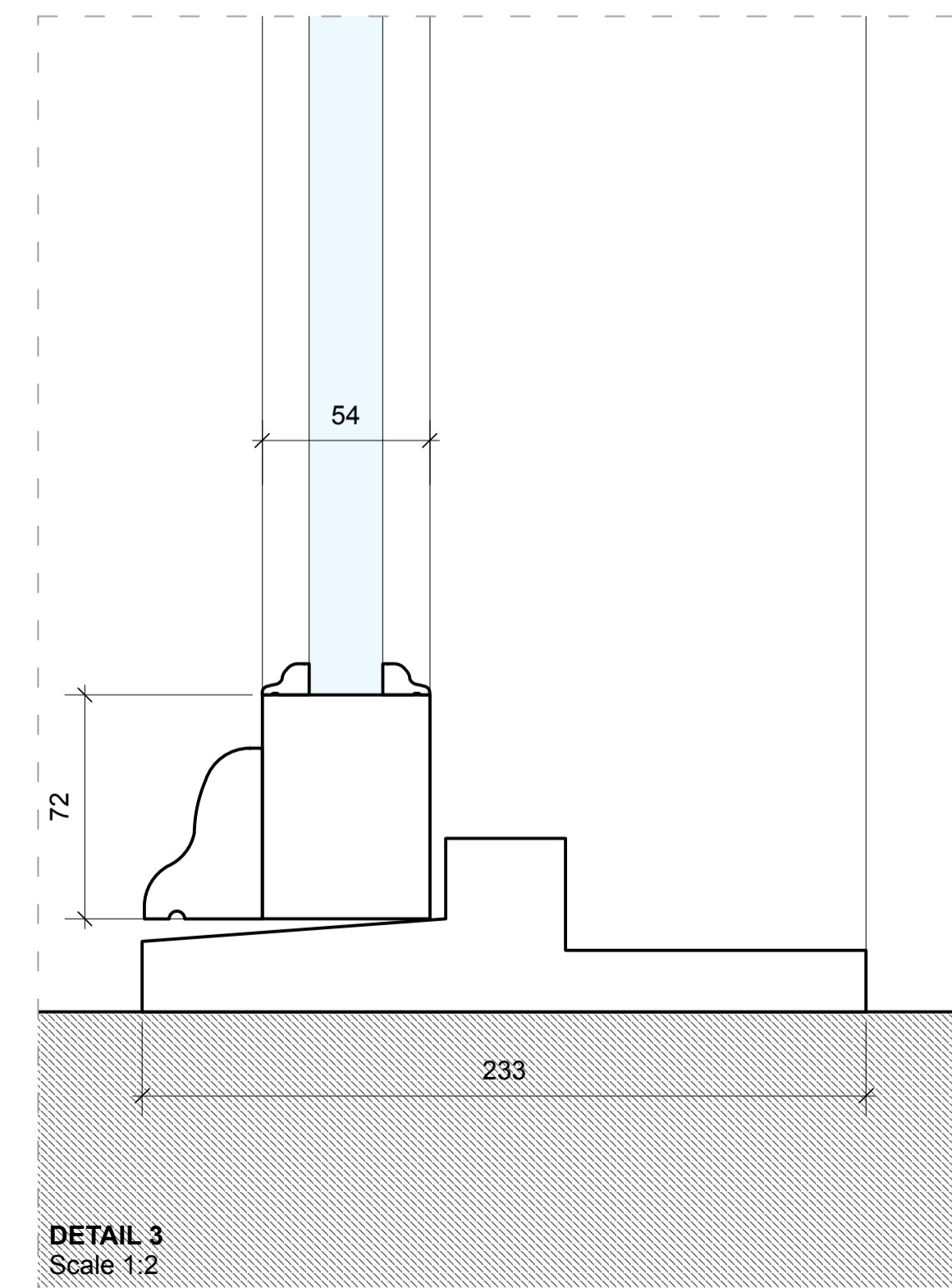
DETAIL 4
Scale 1:2



DETAIL 1
Scale 1:2



DETAIL 2
Scale 1:2



DETAIL 3
Scale 1:2

Copyright: All rights reserved. This drawing must not be reproduced without permission.

Only the original drawing should be relied upon. Contractors, subcontractors and suppliers must verify all dimensions on site before commencing any work or making any shop drawings.

All shop drawings to be submitted to the architect for comment prior to fabrication.

This drawing is to be read in conjunction with the Architect's specification, bills of quantities / schedules, structural, mechanical & electrical drawings and all discrepancies are to be reported to the architect.

Do not scale from this drawing. Dimensions are in millimetres unless otherwise stated.

revision / date / amendments

- / - / - / -

D1-23

23.03.18

- NOTES :**
1. Refer to door schedule for materials & finishes
 2. All dimensions are approximate
 3. Dimensions to be taken on site



STAGE 4

Archer Humphryes Architects

Basement
Central House
142 Central Street
London, United Kingdom
EC1V 8AR
T: +44 (0) 20 7251 8555

project title		KOKO + Hope & Anchor + Bayham Place Camden, London	
drawing title	scale	date	
Door Detail D1-23	Varies/A1	23.03.18	
drawing number	drawn	checked	
AHA / KKC / DET / 694	PD	DA	
	revision		
	-		