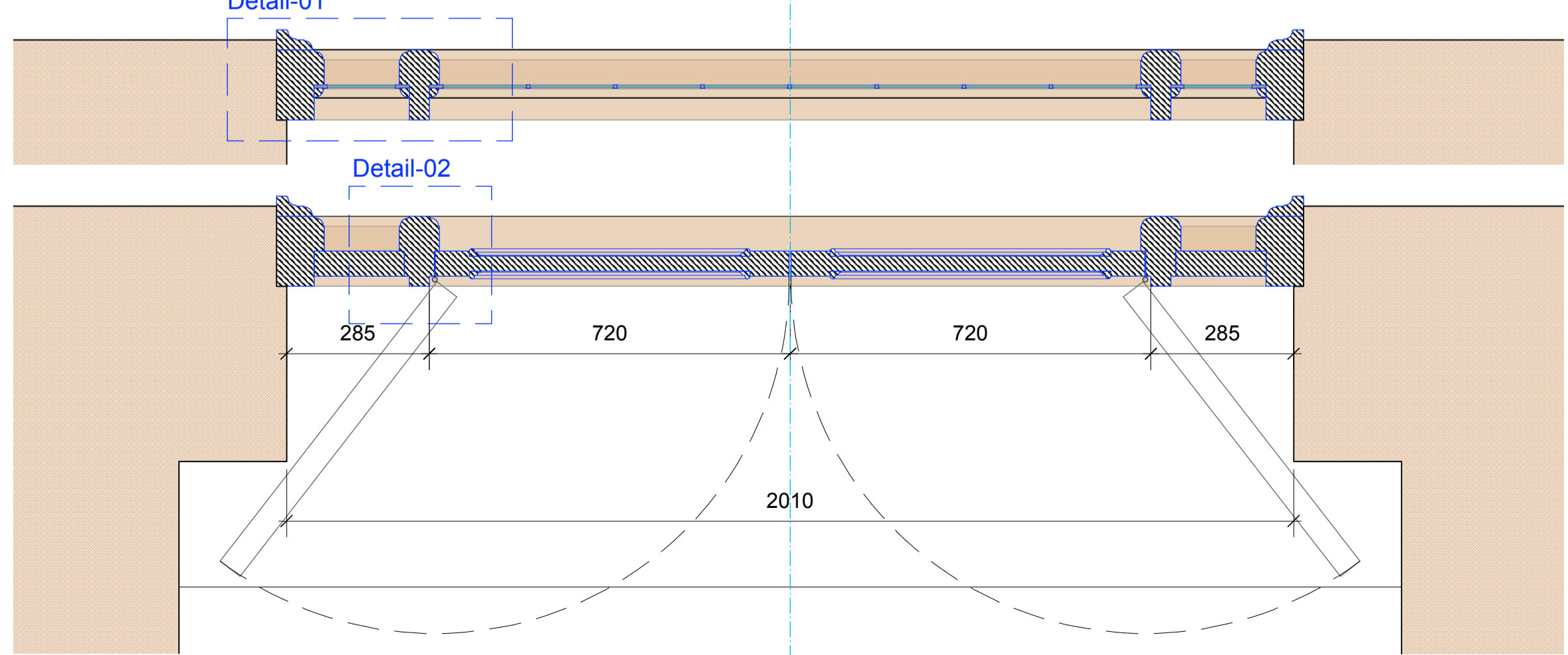
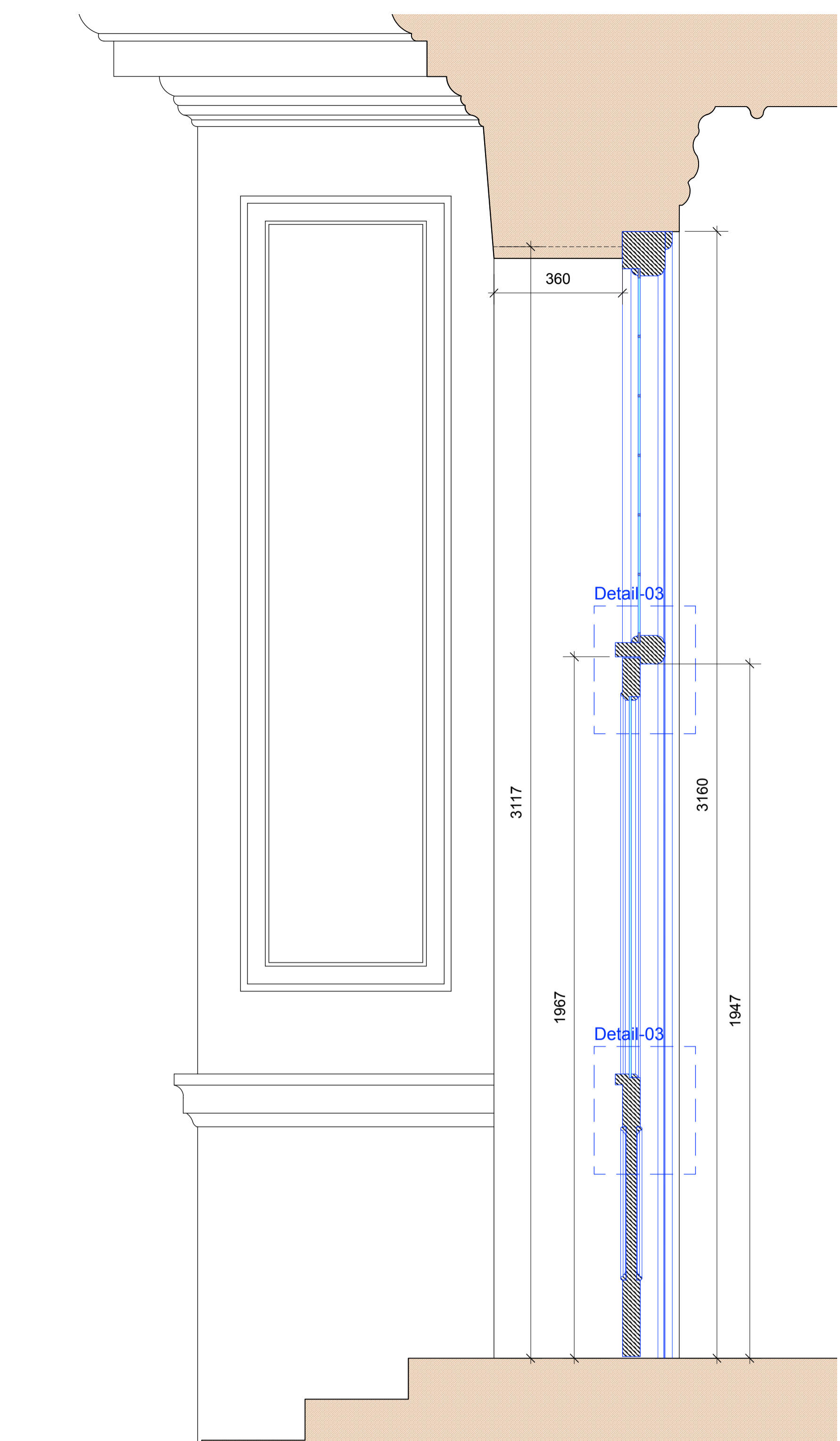


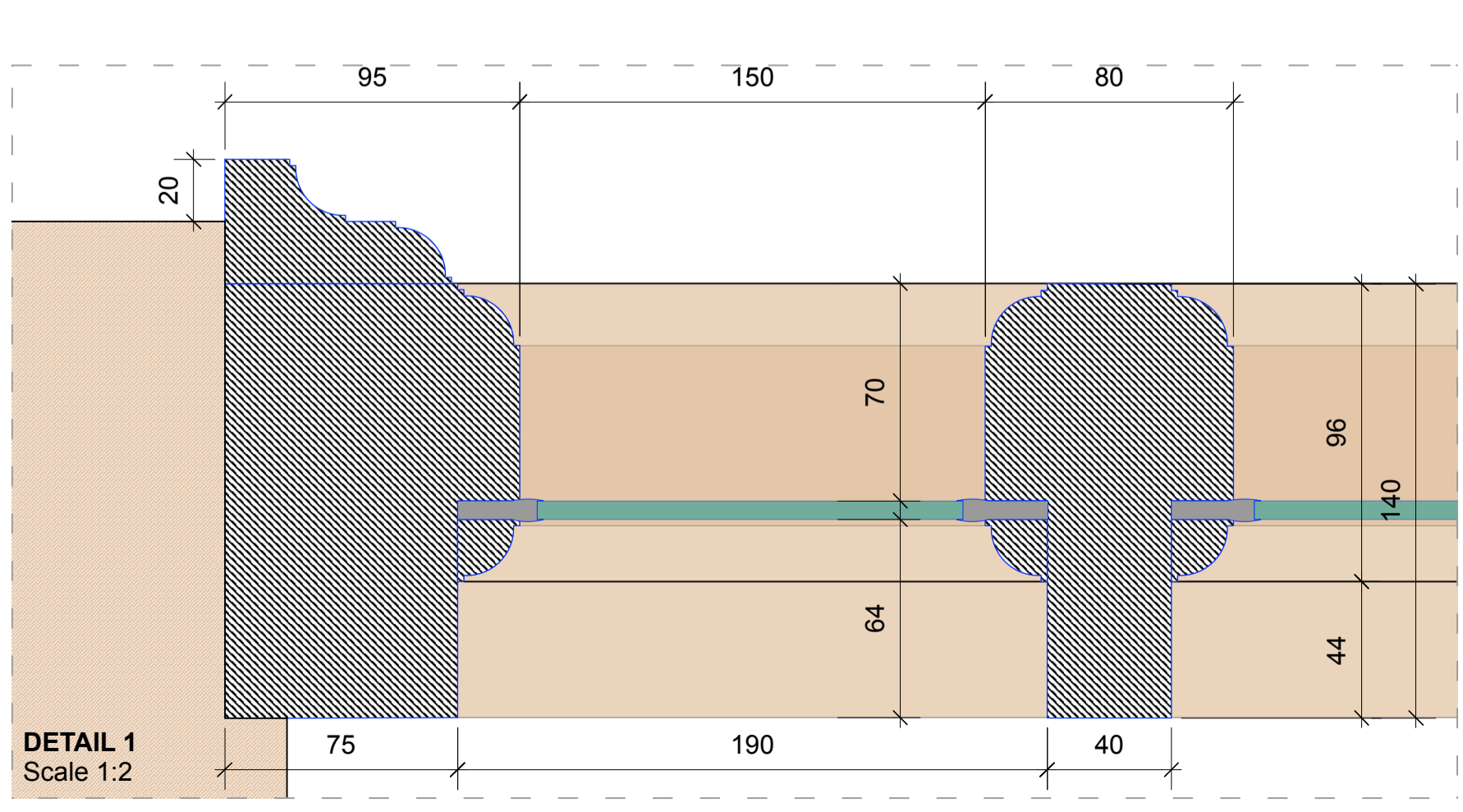
EXTERNAL ELEVATION
Scale 1:10



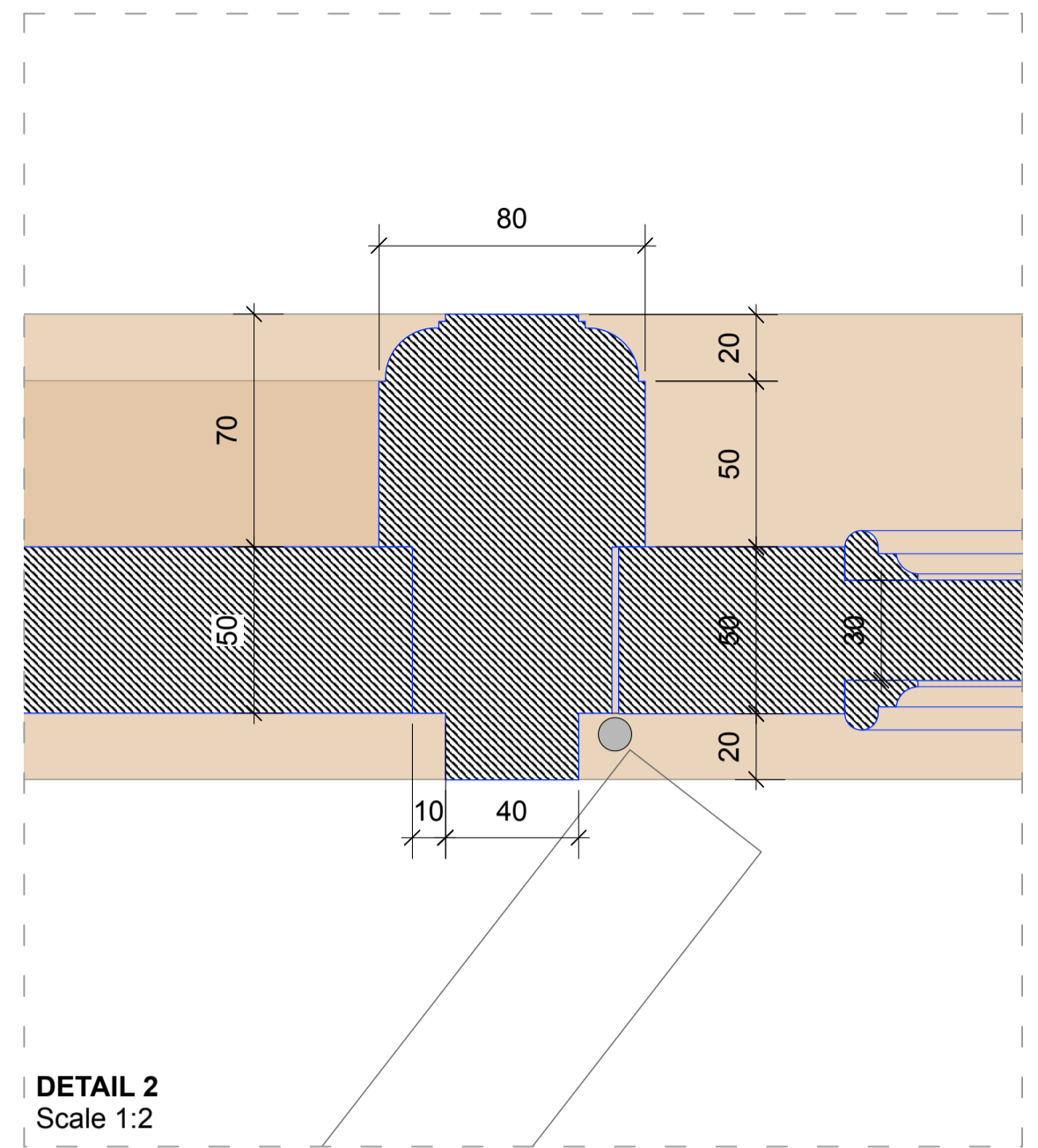
HORIZONTAL SECTIONS B and C
Scale 1:10



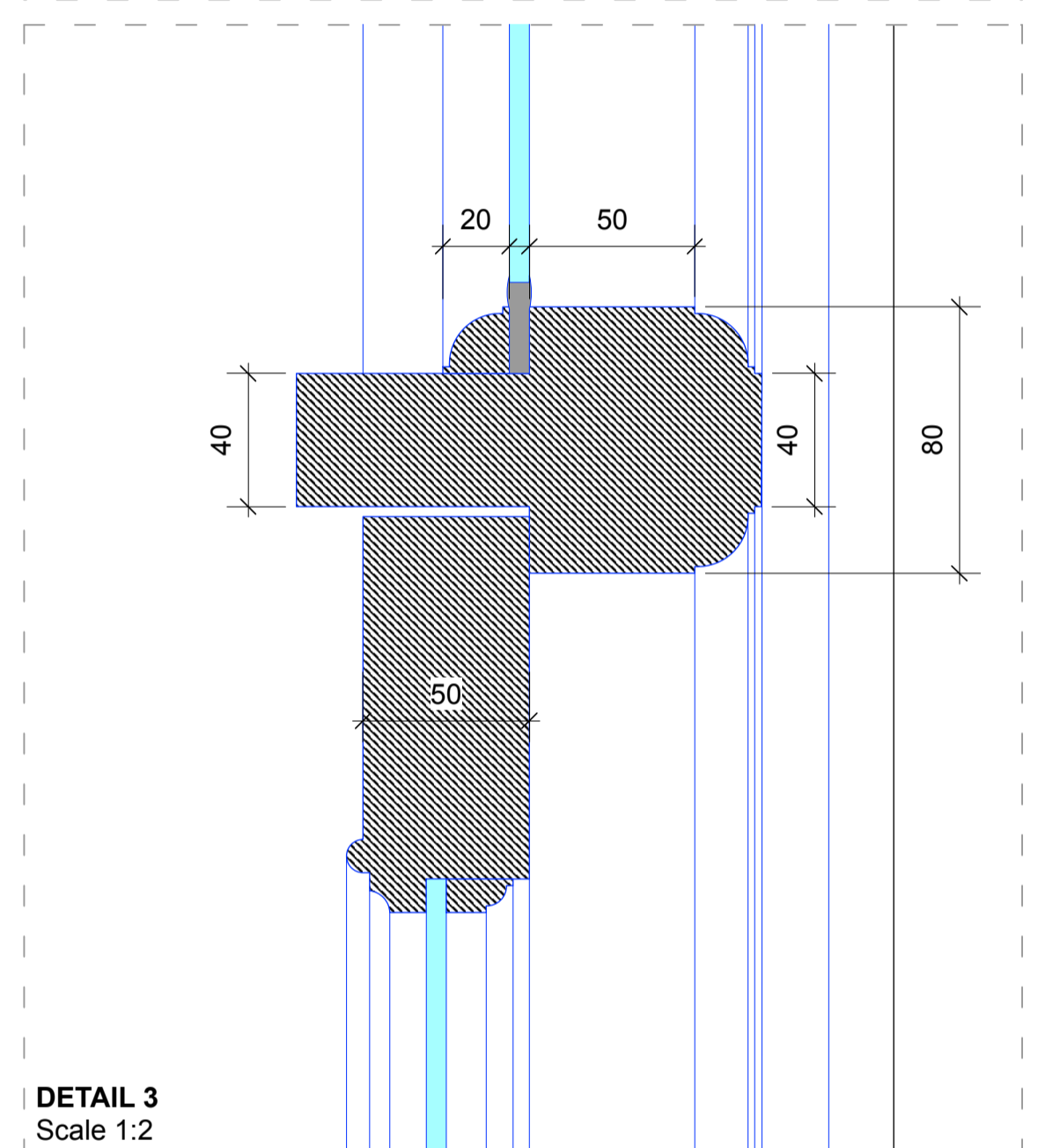
SECTION A
Scale 1:10



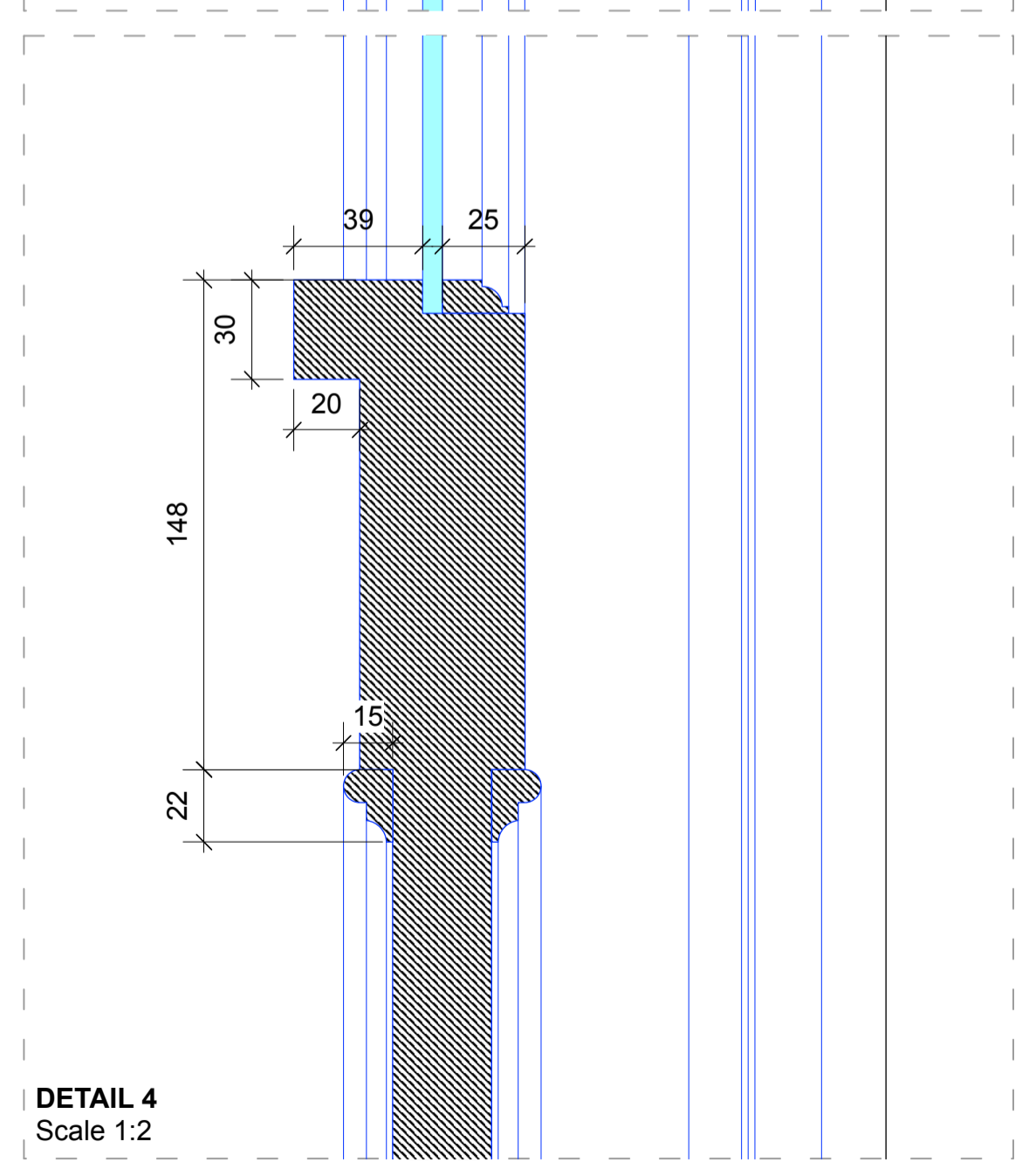
DETAIL 1
Scale 1:2



DETAIL 2
Scale 1:2



DETAIL 3
Scale 1:2



DETAIL 4
Scale 1:2

Copyright. All rights reserved. This drawing must not be reproduced without permission.
Only the original drawing should be relied upon. Contractors, subcontractors and suppliers must verify all dimensions on site before commencing any work or making any shop drawings.
All shop drawings to be submitted to the architect for comment prior to fabrication.
This drawing is to be read in conjunction with the Architect's specification, bills of quantities / schedules, structural, mechanical & electrical drawings and all discrepancies are to be reported to the architect.
Do not scale from this drawing. Dimensions are in millimetres unless otherwise stated.

revision / date / amendments
- / - / - / -

TO BE AS PER ORIGINAL ARCHITECT'S DRAWING

D1-22
23.03.18



STAGE 4
Archer Humphries Architects
Basement
Central House
142 Central Street
London, United Kingdom
EC1V 8AR
T: +44 (0) 20 7251 8555

project title	scale	date
KOKO + Hope & Anchor + Bayham Place Camden, London	various	23.03.18
drawing title	drawn	checked
Door Detail D1-22	PD	DA
drawing number	revision	
AHA / KKC / DET / 690	-	