

Copyright: All rights reserved. This drawing must not be reproduced without permission.

Only the original drawing should be relied upon. Contractors, subcontractors and suppliers must verify all dimensions on site before commencing any work or making any shop drawings.

All shop drawings to be submitted to the architect for comment prior to fabrication.

This drawing is to be read in conjunction with the Architect's specification, bills of quantities / schedules, structural, mechanical & electrical drawings and all discrepancies are to be reported to the architect.

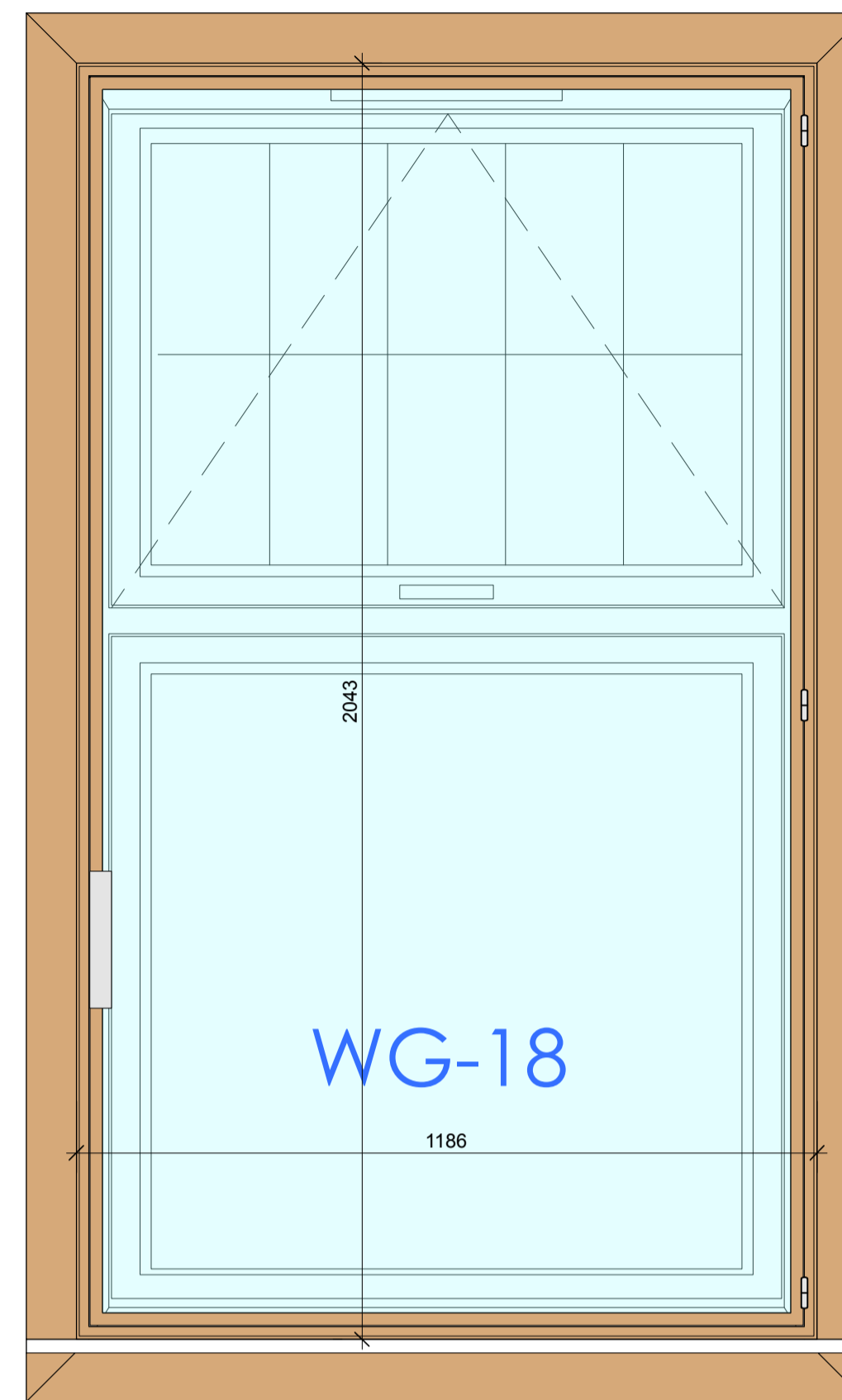
Do not scale from this drawing. Dimensions are in millimetres unless otherwise stated.

revision / date / amendments

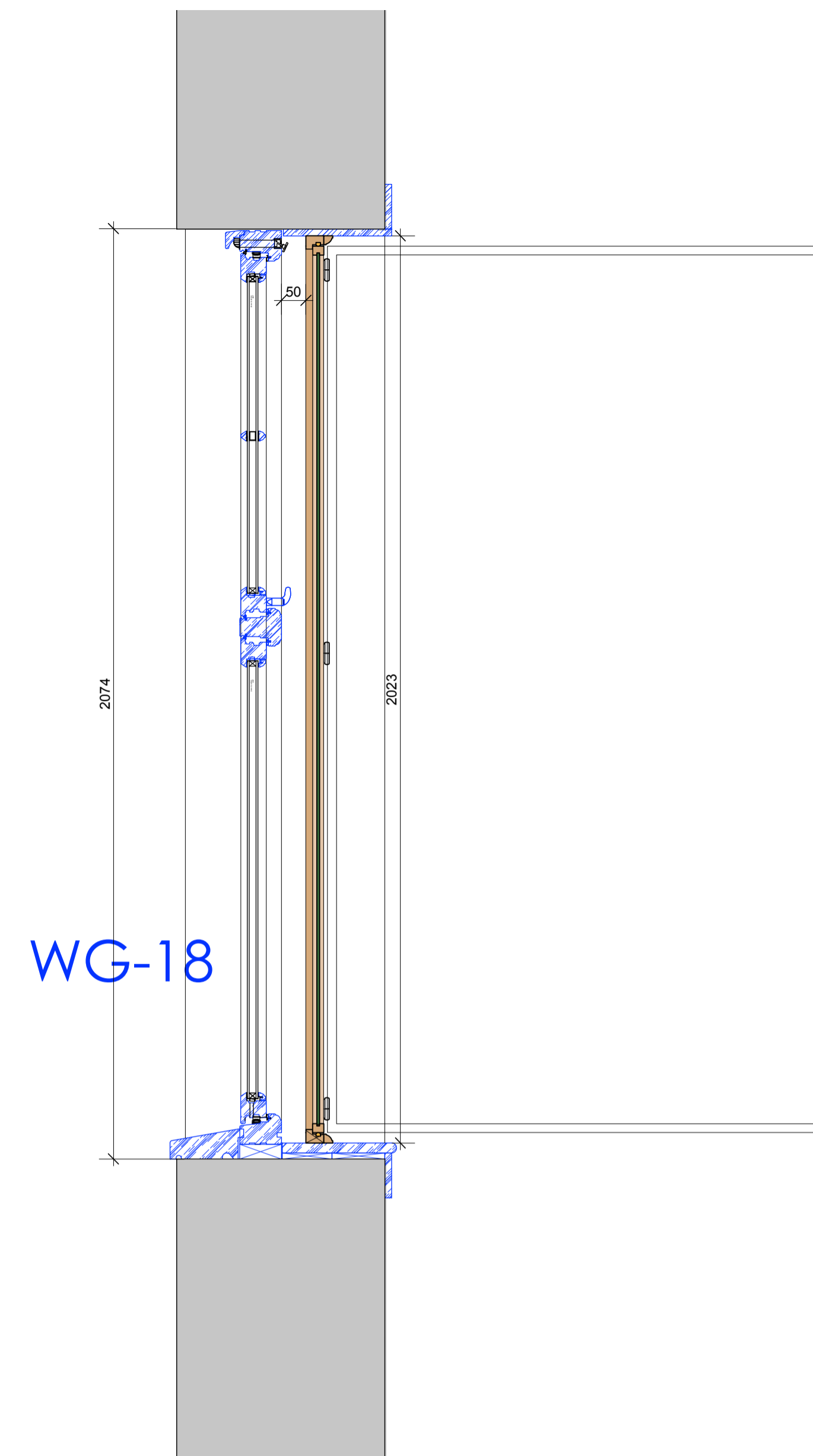
- / - / - / -



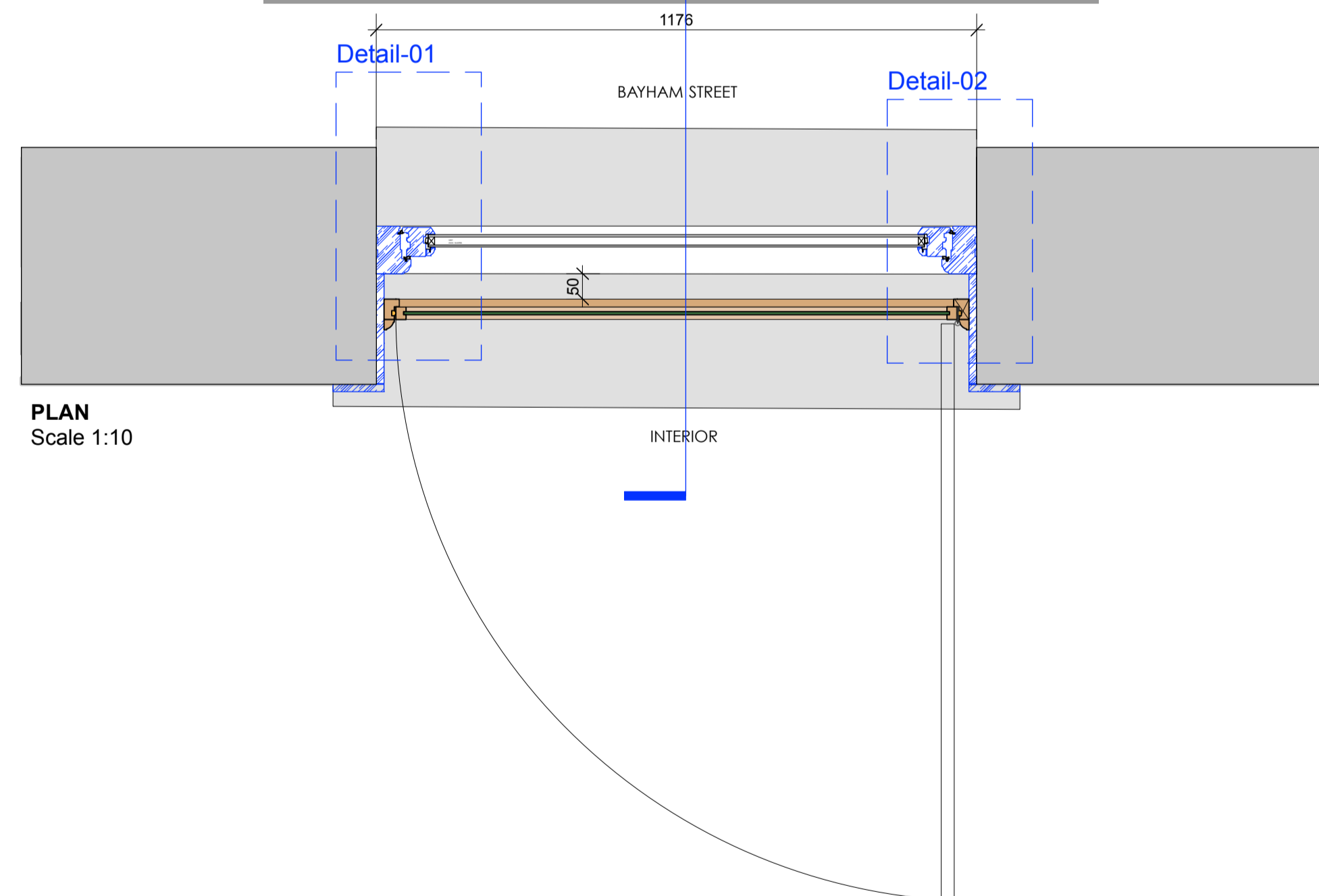
EXTERNAL ELEVATION
Scale 1:10



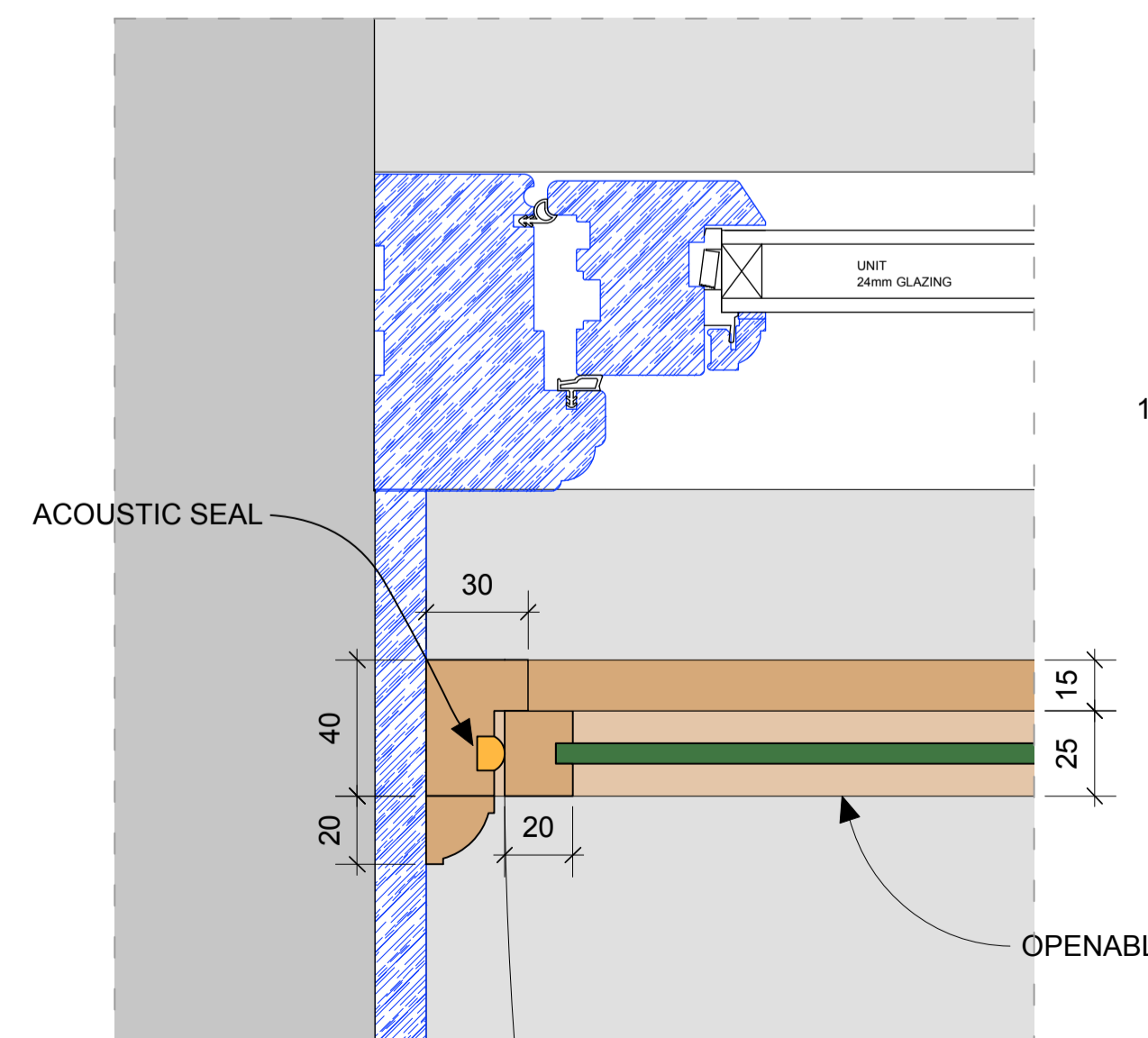
INTERNAL ELEVATION
Scale 1:10



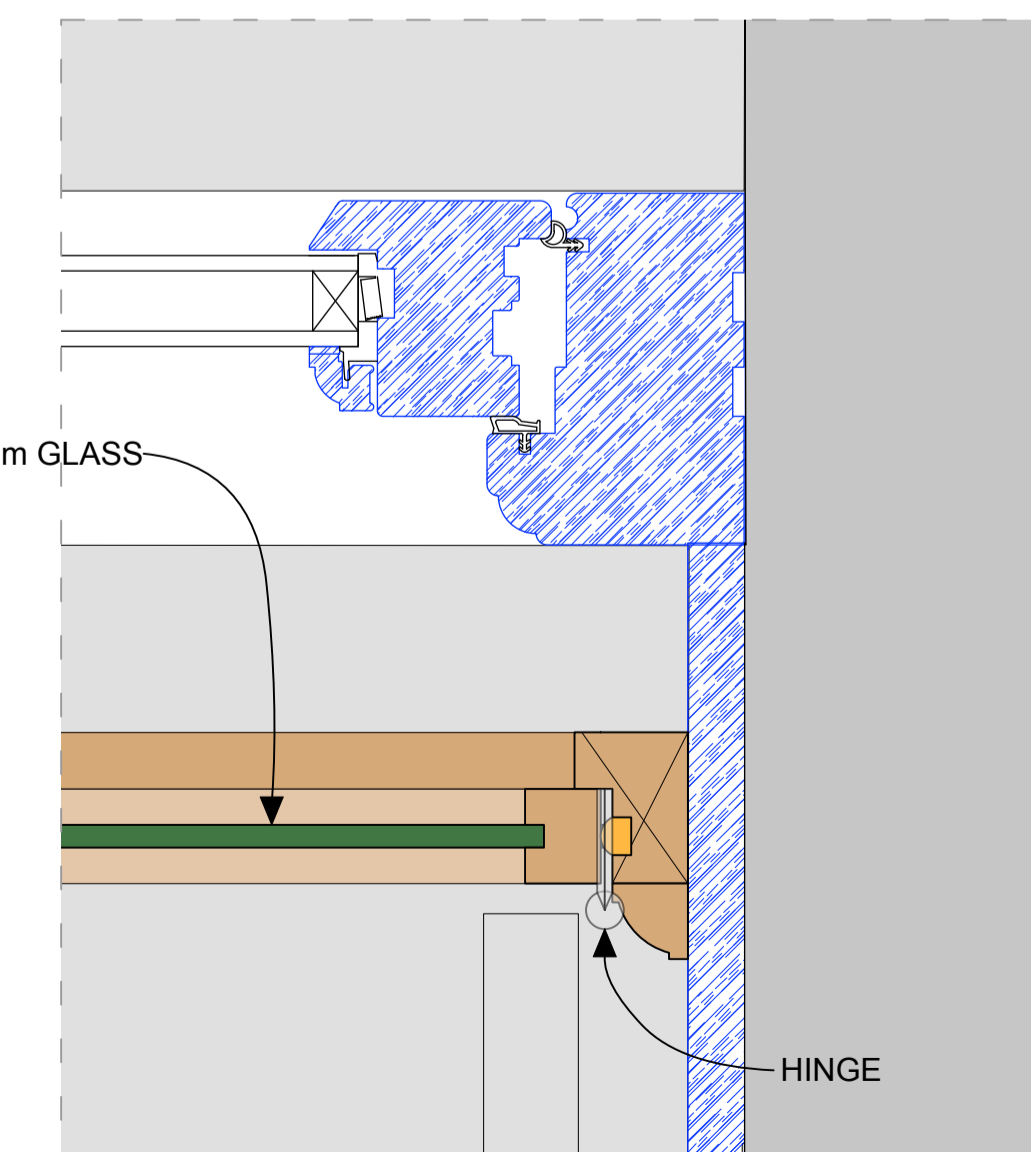
SECTION - A
Scale 1:10



PLAN
Scale 1:10



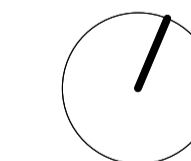
DETAIL 1
Scale 1:2



DETAIL 2
Scale 1:2

TYPE-E

02.03.18



0 100 200 300 400 500 800mm

STAGE 4

Archer Humphries Architects

Basement
Central House
142 Central Street
London, United Kingdom
EC1V 8AR
T: +44 (0) 20 7251 8555

project title	KOKO + Hope & Anchor + Bayham Place Camden, London		
drawing title	scale	date	
Typical Secondary Glazing Details	Series A1	02.03.18	
Type E - TIMBER FRAME	drawn	checked	
	FK/PC	DA	
drawing number	revision		
AHA/KKC/DET/671	-		