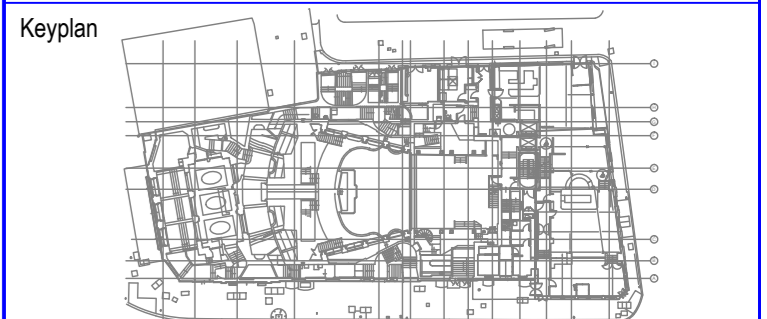
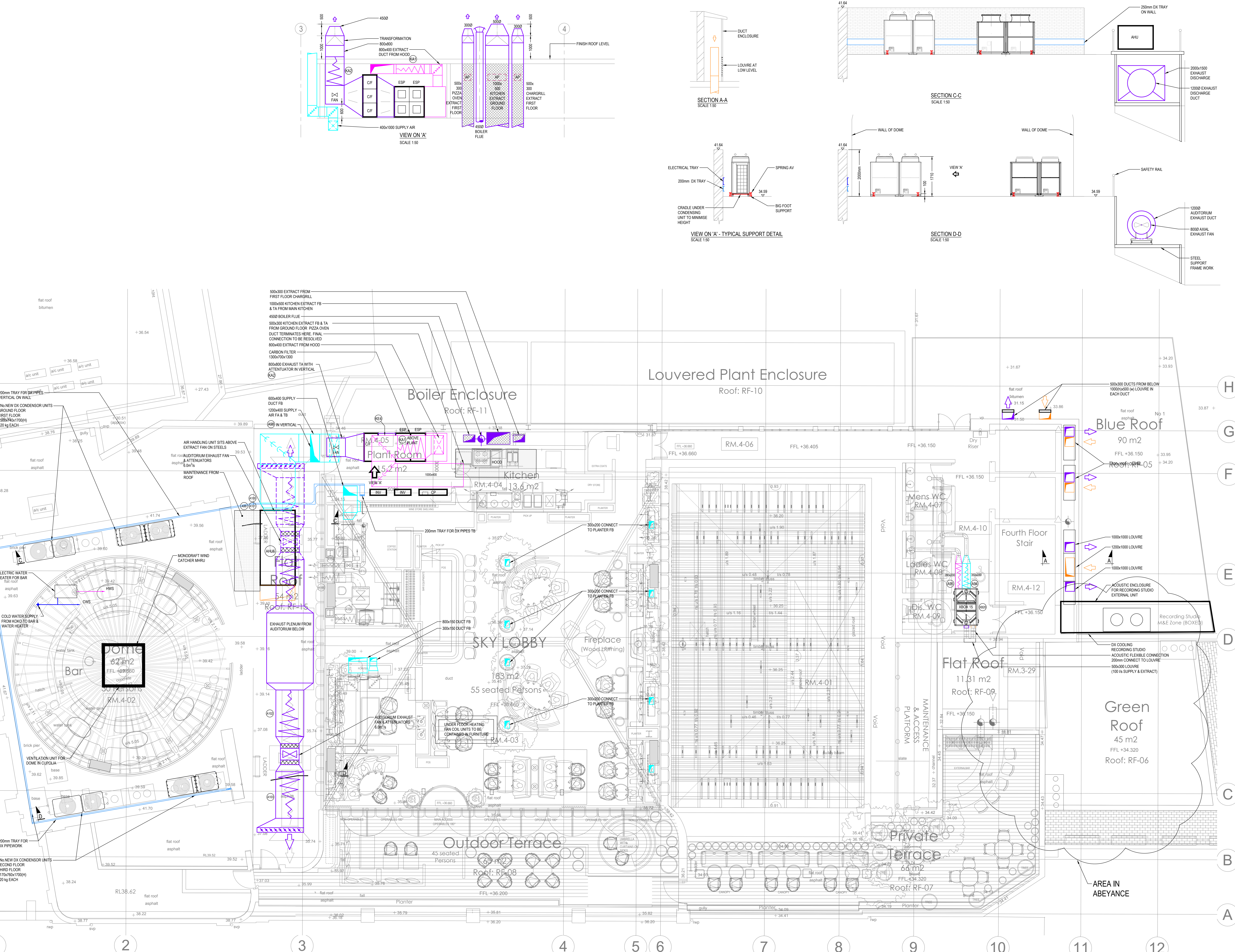
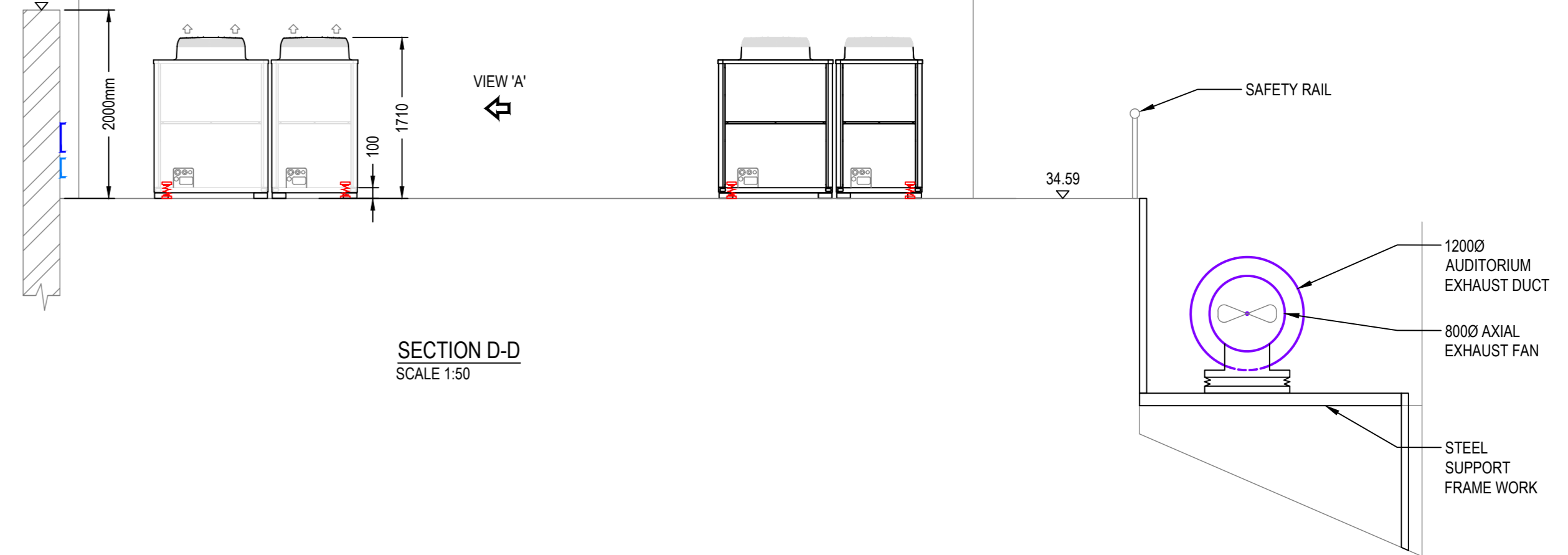
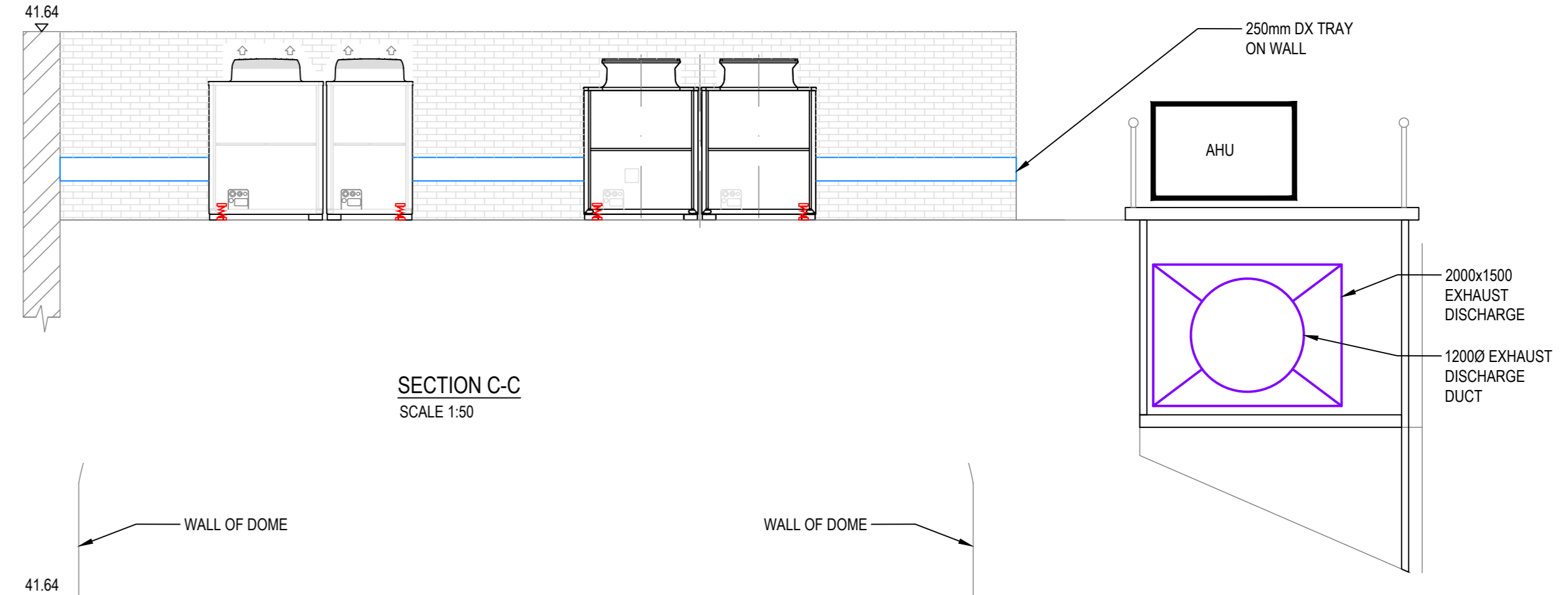
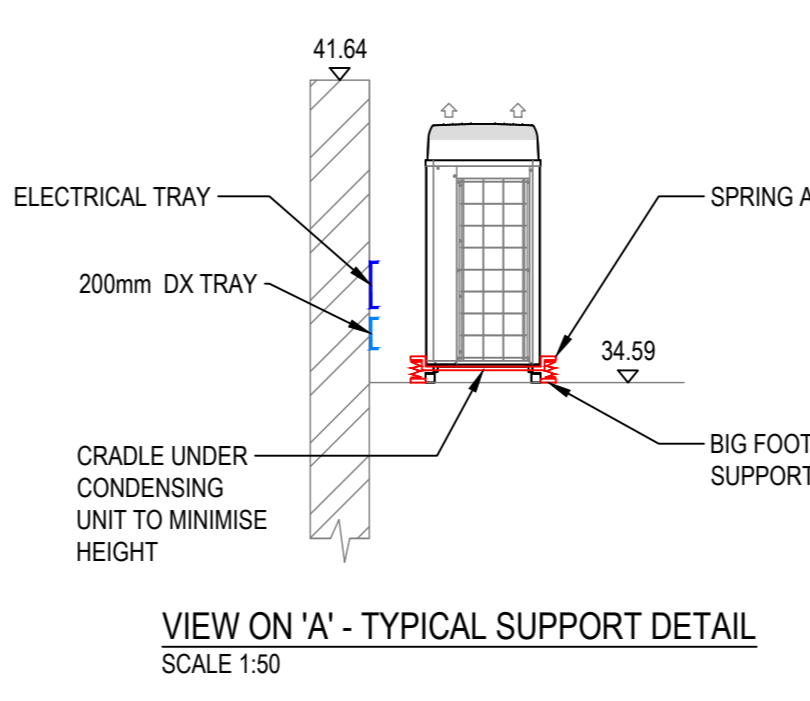
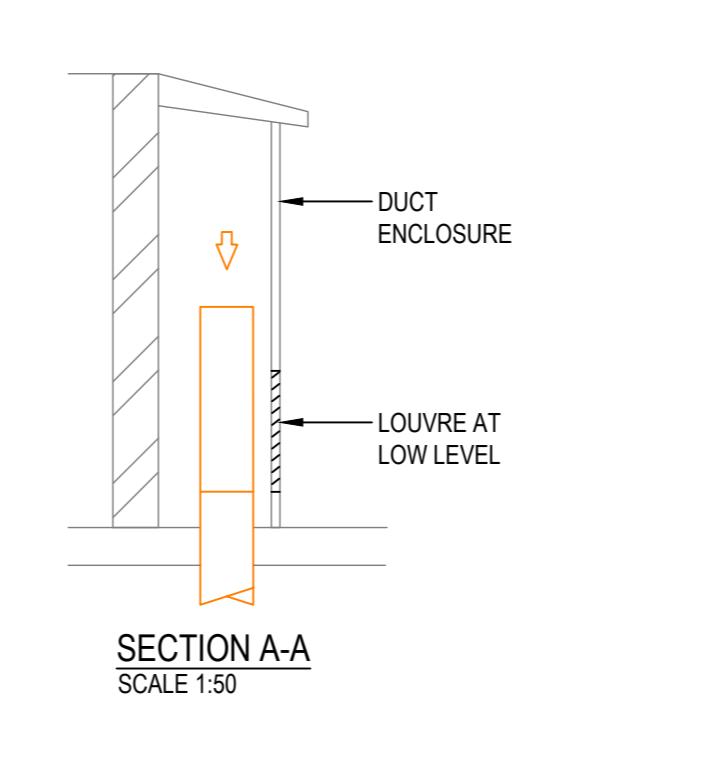
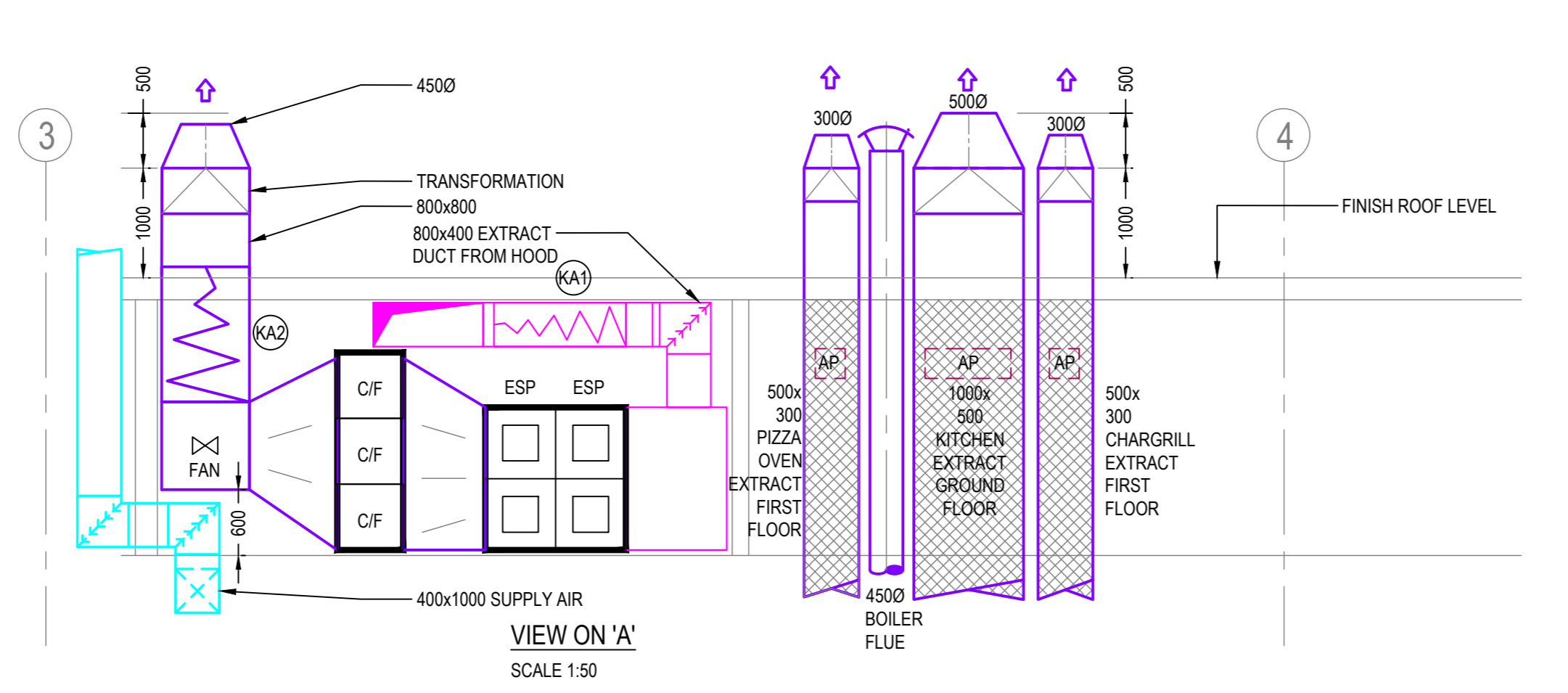
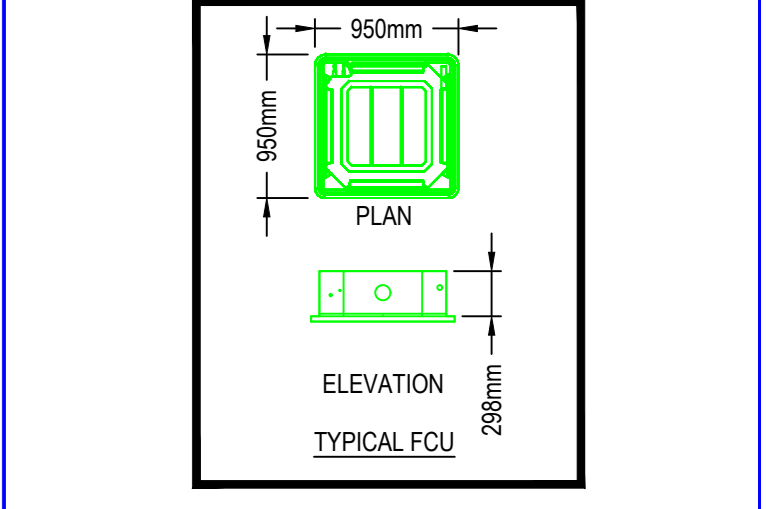
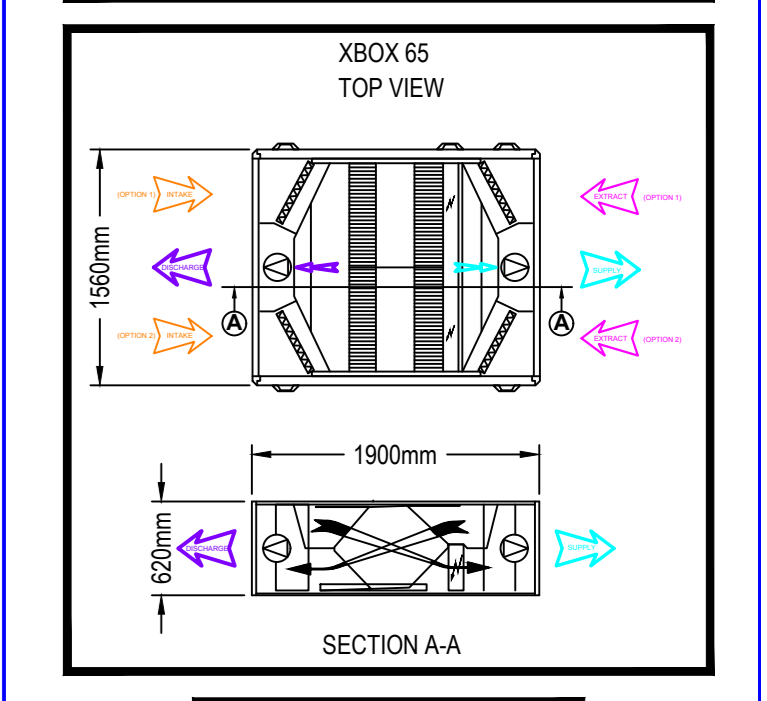
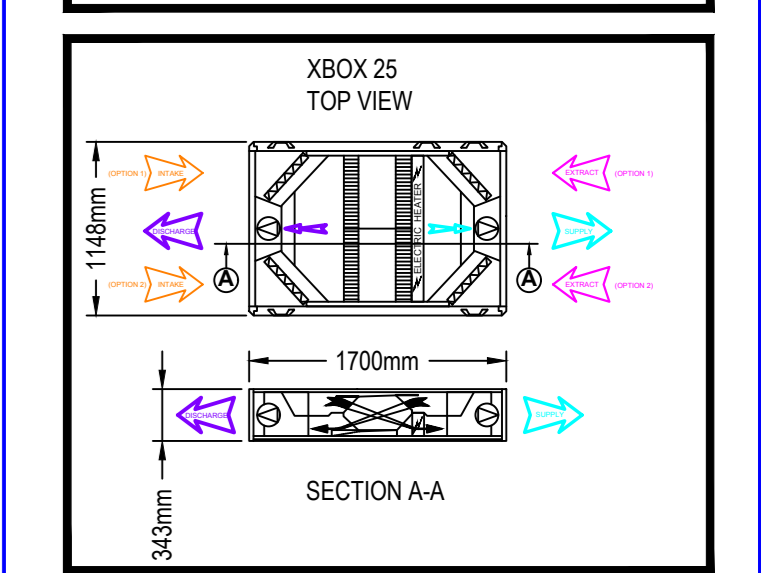
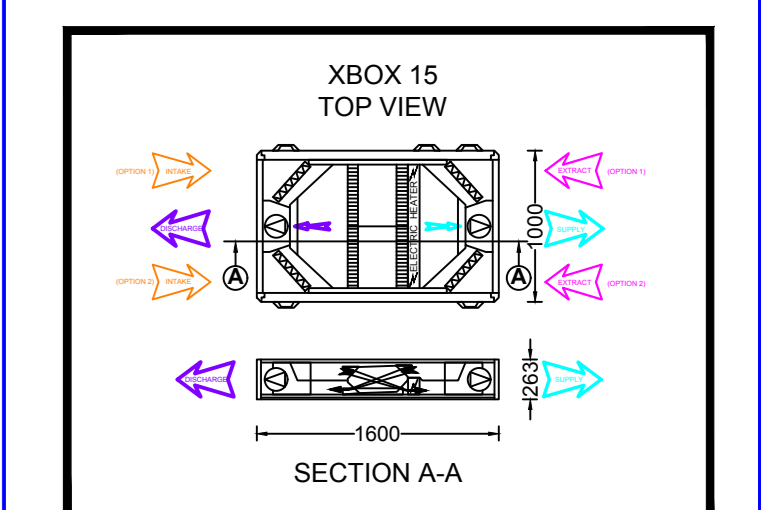


THIS DRAWING IS THE PROPERTY OF RALPH T. KING & ASSOCIATES. IT MUST NOT BE COPIED WITHOUT THEIR CONSENT AND IS TO BE RETURNED IN REQUEST. DIMENSIONS IN mm UNLESS OTHERWISE STATED. DO NOT SCALE FROM THIS DRAWING (PRINTED OR ELECTRONIC).



- Notes**
- LEGEND**
  - FRESH AIR DUCTWORK
  - EXHAUST AIR DUCTWORK
  - EXTRACT DUCTWORK
  - SUPPLY DUCTWORK
  - 2 HOUR FIRE RATED KITCHEN EXHAUST DUCT
  - ACOUSTICALLY ENCASED DUCT SECTION
  - AHU
  - AIR HANDLING UNIT
  - FAN COIL UNIT CEILING MOUNTED CASSETTE
  - TRAY AT HL IN CORRIDORS FOR DX PIPEWORK
  - UNSUPPORTED DX PIPEWORK SERVING FAN COILS
  - WALL MOUNTED FAN COIL UNIT



Rev	Description	Date
1	ISSUED FOR TENDER	01.03.18

Scale	Drawn (CAD)	Engineer	Date
@ A0	1:50	W.M	N/C
Project No.	1355	Drawing No.	S-M206
Client		KOKO	
Project		KOKO - CAMDEN PALACE HOTEL	
Title		FOURTH FLOOR VENTILATION LAYOUT SHELL & CORE	
Client		KOKO	
Project		KOKO - CAMDEN PALACE HOTEL	
Title		FOURTH FLOOR VENTILATION LAYOUT SHELL & CORE	
Scale @ A0		1:50	
Drawn (CAD)		W.M	
Engineer		N/C	
Date		JAN 2018	
Project No.		1355	
Drawing No.		S-M206	
Revision		T	
Ralph T. King & Associates Consulting Mechanical & Electrical Engineers			
Old Marlowes House 53 Marlowes Hemel Hempstead Hertfordshire HP1 1LE		Tel: +44 01442 838000 Fax: +44 01442 838080 Email: mail@rtka.co.uk Web: www.rtk.co.uk	