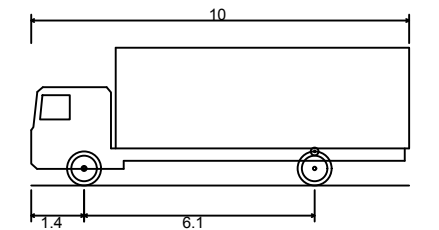


Rev	Details	Drawn	Checked	Date
A	Goodge Place vehicle route removed.	AS	DF	07.08.2017

NOTES :

1. Do not scale from this drawing.
2. This drawing to be read & printed in colour.
3. This drawing is for illustrative purposes only, and not for construction.

FTA DESIGN HG RIGID VEHICLE (1998)



Overall Length	10.000m
Overall Width	2.500m
Overall Body Height	3.645m
Min Body Ground Clearance	0.440m
Track Width	2.470m
Lock to Lock Time	3.00s
Kerb to Kerb Turning Radius	11.000m

	FORWARD MOVEMENTS (design speed - 5kph)
	REVERSE MOVEMENTS (design speed - 2.5kph)

Client	8 Build Ltd
--------	-------------

Project	77 Charlotte Street
---------	---------------------

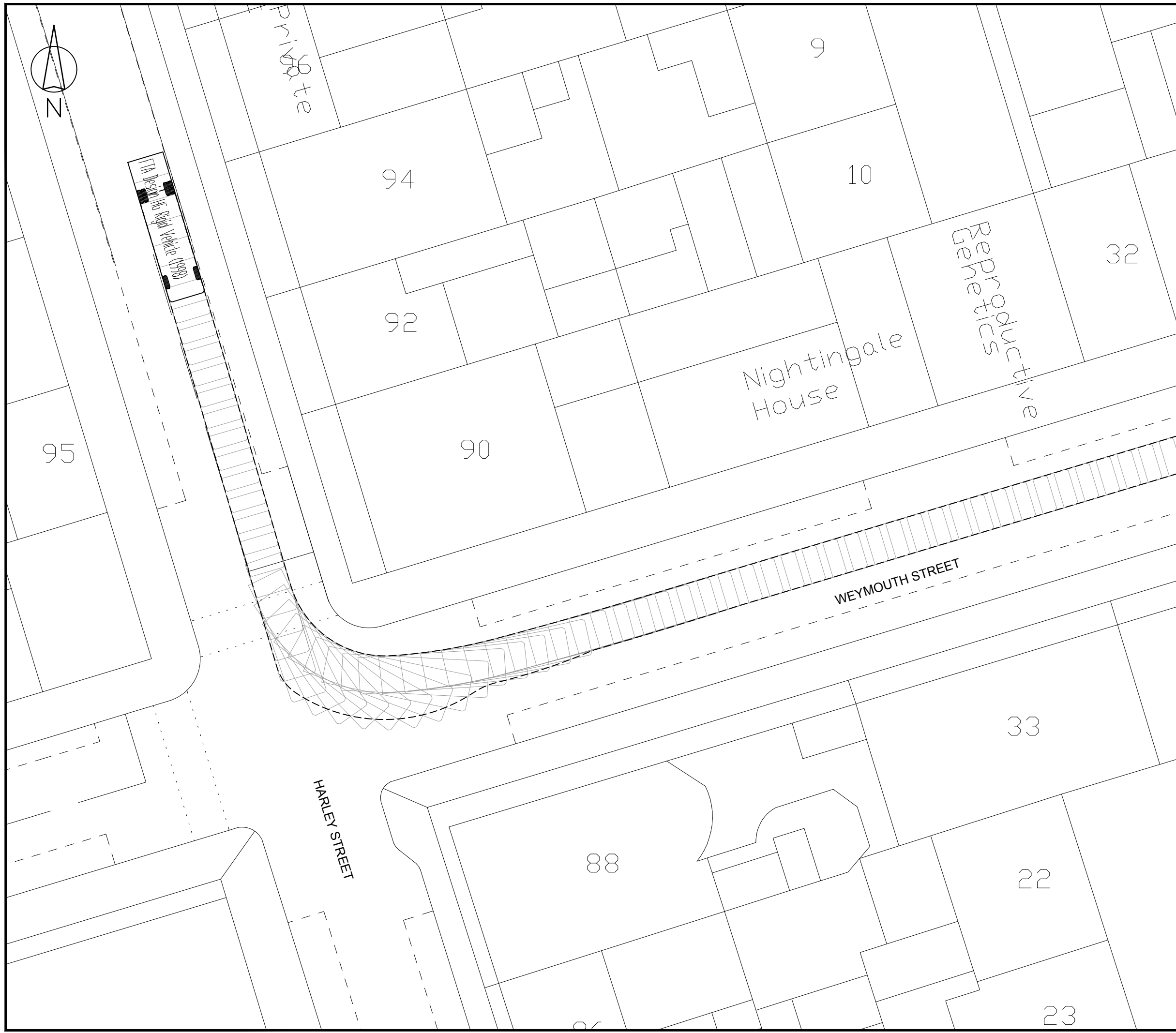
Drawing Title	Vehicular Swept Paths Analysis using FTA Design HG Rigid Vehicle - Sheet 1 of 9 (Overview Plan)
---------------	---

Scale	N.T.S.	Size	A3
Drawn	DW	06.06.2017	
Checked	JT	06.06.2017	



111 - 113 Great Portland Street
London
W1W 6QQ
Tel. No. 0207 1000 753

Drawing Number	2017-3115-TR02(1)	Rev	A
----------------	-------------------	-----	---

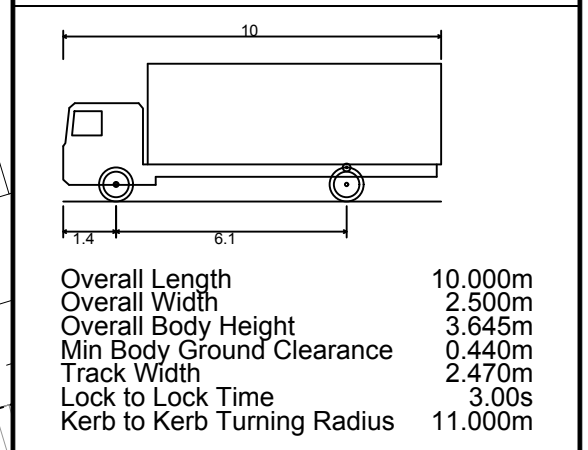


Rev	Details	Drawn	Checked	Date
A	Goodge Place vehicle route removed.	AS	DF	07.08.2017

NOTES:

- Do not scale from this drawing.
- This drawing to be read & printed in colour.
- This drawing is for illustrative purposes only, and not for construction.

FTA DESIGN HG RIGID VEHICLE (1998)



	FORWARD MOVEMENTS (design speed - 5kph)
	REVERSE MOVEMENTS (design speed - 2.5kph)

Client
8 Build Ltd

Project
77 Charlotte Street

Drawing Title
Vehicular Swept Paths Analysis using FTA Design HG Rigid Vehicle - Sheet 2 of 9

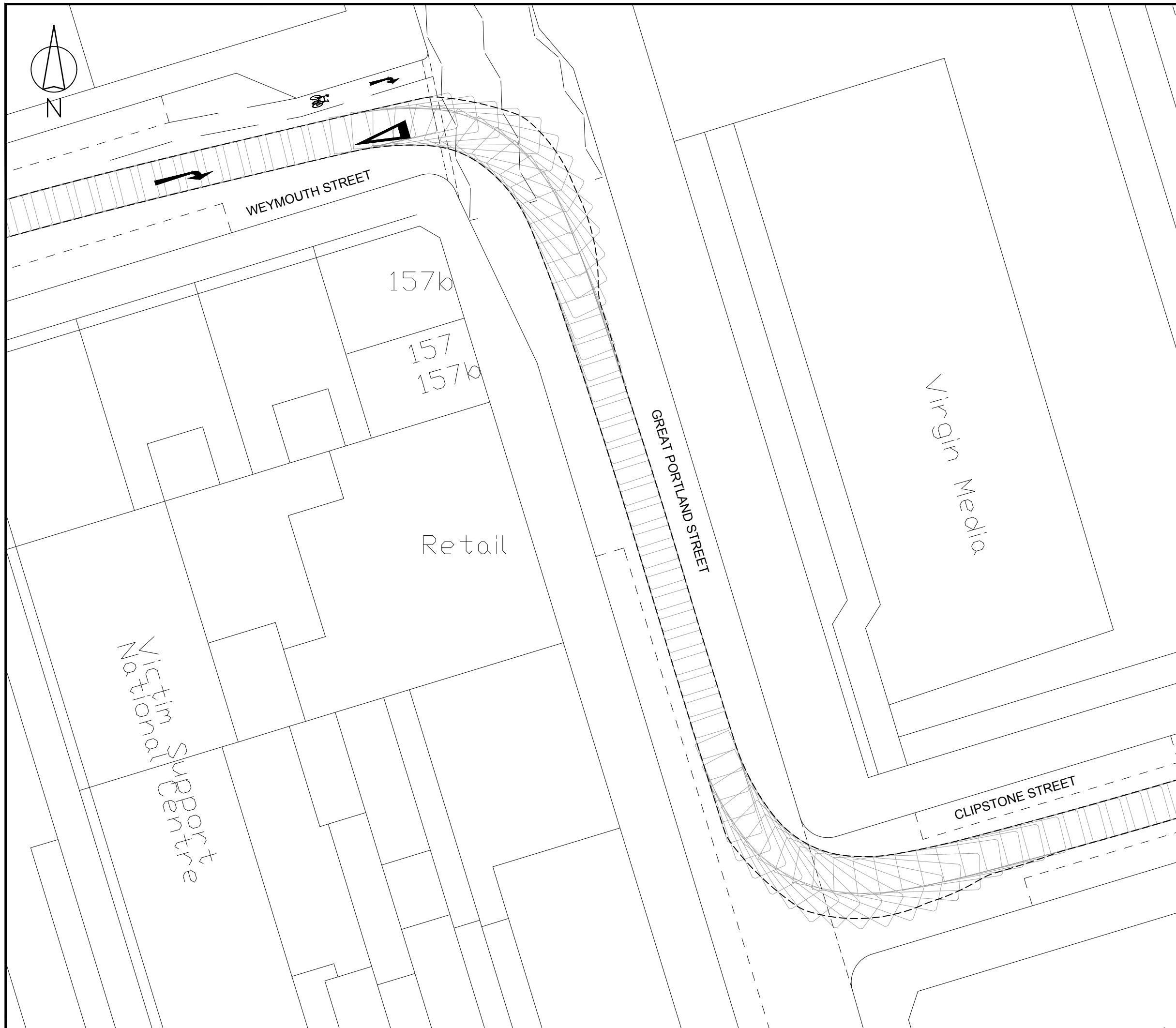
Scale	1:250	Size	A3
Drawn	DW	06.06.2017	
Checked	JT	06.06.2017	



111 - 113 Great Portland Street
London
W1W 6QQ
Tel. No. 0207 1000 753

Drawing Number	2017-3115-TR02(2)	Rev	A
----------------	--------------------------	-----	----------

D:\CAD\PRECISION\LTD BOX FILES\DATA\A001396-TTP3115 77-79 CHARLOTTE STREET\2017-3115-TR02_A - VEHICULAR SWEEP PATHS ANALYSIS USING FTA DESIGN HG RIGID VEHICLE.DWG

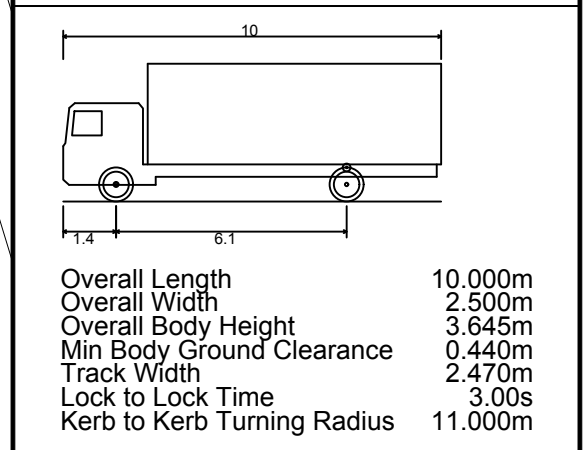


Rev	Details	Drawn	Checked	Date
A	Goodge Place vehicle route removed.	AS	DF	07.08.2017

NOTES:

- Do not scale from this drawing.
- This drawing to be read & printed in colour.
- This drawing is for illustrative purposes only, and not for construction.

FTA DESIGN HG RIGID VEHICLE (1998)



	FORWARD MOVEMENTS (design speed - 5kph)
	REVERSE MOVEMENTS (design speed - 2.5kph)

Client
8 Build Ltd

Project
77 Charlotte Street

Drawing Title
Vehicular Swept Paths Analysis using FTA Design HG Rigid Vehicle - Sheet 3 of 9

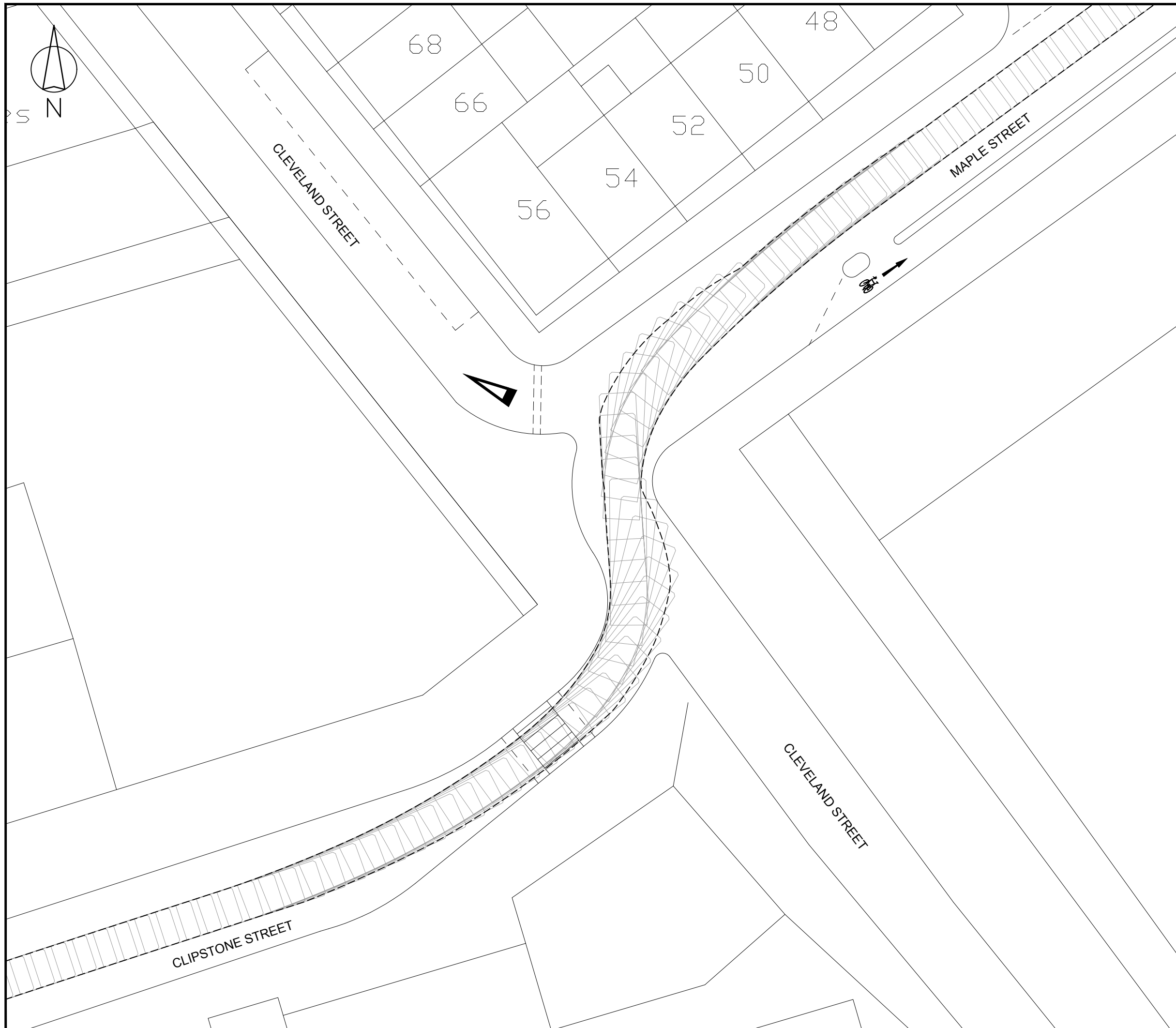
Scale	1:250	Size	A3
Drawn	DW	06.06.2017	
Checked	JT	06.06.2017	



111 - 113 Great Portland Street
London
W1W 6QQ
Tel. No. 0207 1000 753

Drawing Number	2017-3115-TR02(3)	Rev	A
----------------	--------------------------	-----	----------

D:\CAD\PRECISION\LD BOX FILES\DATA\A001396-TTP3115-77-79 CHARLOTTE STREET\2017-3115-TR02_A - VEHICULAR SWEEP PATHS ANALYSIS USING FTA DESIGN HG RIGID VEHICLE.DWG

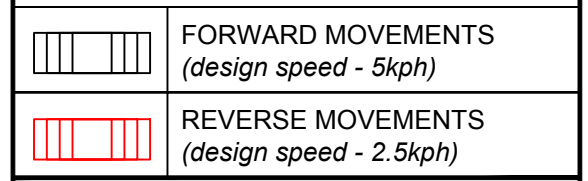
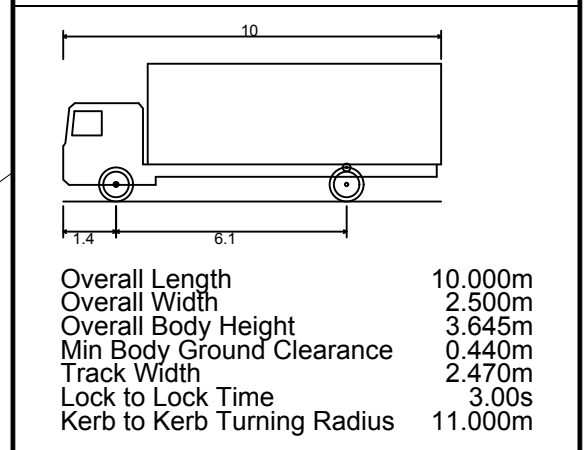


Rev	Details	Drawn	Checked	Date
A	Goode Place vehicle route removed.	AS	DF	07.08.2017

NOTES:

- Do not scale from this drawing.
- This drawing to be read & printed in colour.
- This drawing is for illustrative purposes only, and not for construction.

FTA DESIGN HG RIGID VEHICLE (1998)



Client
8 Build Ltd

Project
77 Charlotte Street

Drawing Title
**Vehicular Swept Paths Analysis
using FTA Design HG Rigid
Vehicle - Sheet 4 of 9**

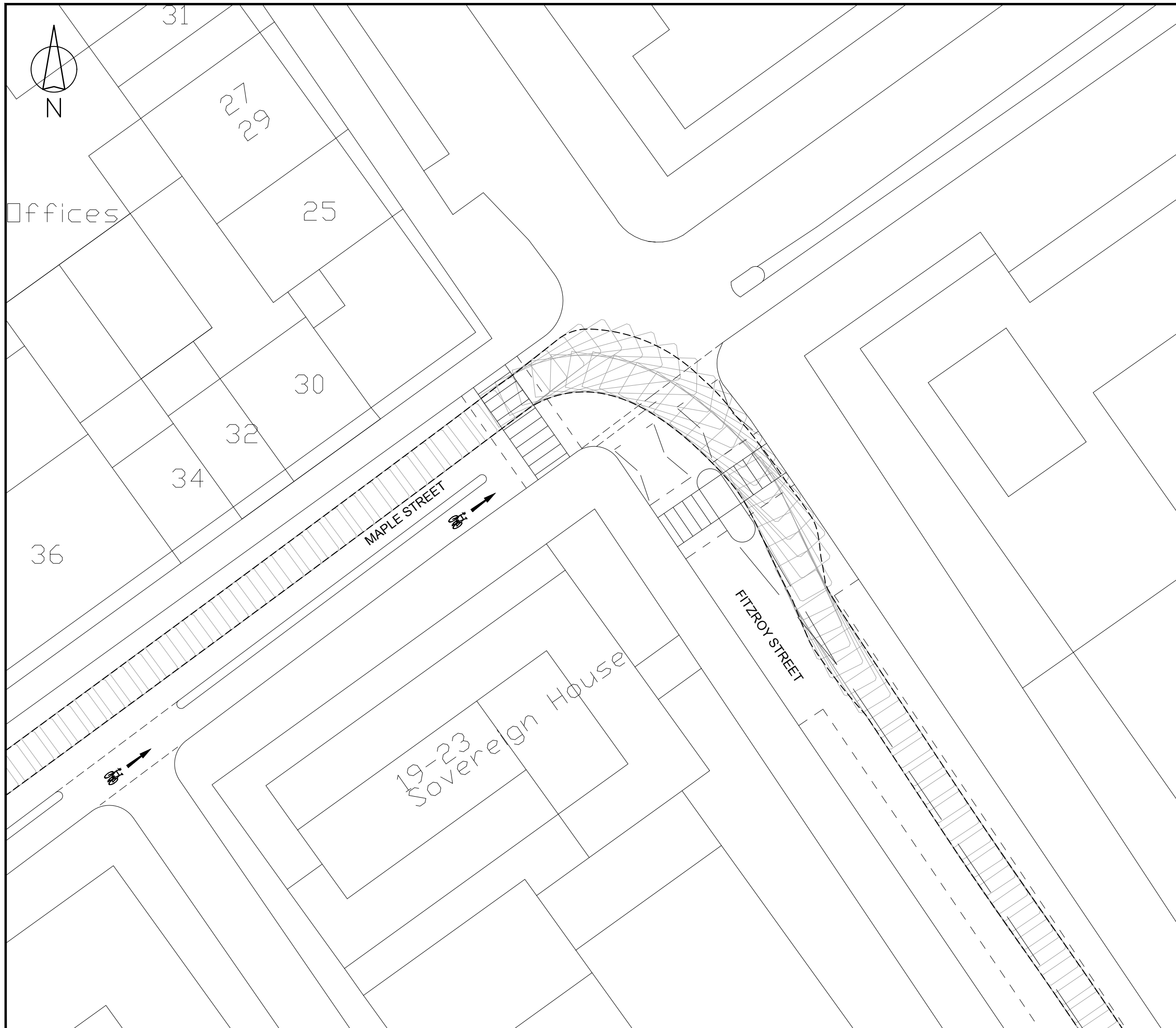
Scale	1:250	Size	A3
Drawn	DW	06.06.2017	
Checked	JT	06.06.2017	



111 - 113 Great Portland Street
London
W1W 6QQ
Tel. No. 0207 1000 753

Drawing Number	2017-3115-TR02(4)	Rev	A
----------------	--------------------------	-----	----------

D:\CAD\PRECISION\LTD BOX FILES\DATA\A001396-TTP3115 77-79 CHARLOTTE STREET\2017-3115-TR02_A - VEHICULAR SWEEP PATHS ANALYSIS USING FTA DESIGN HG RIGID VEHICLE.DWG

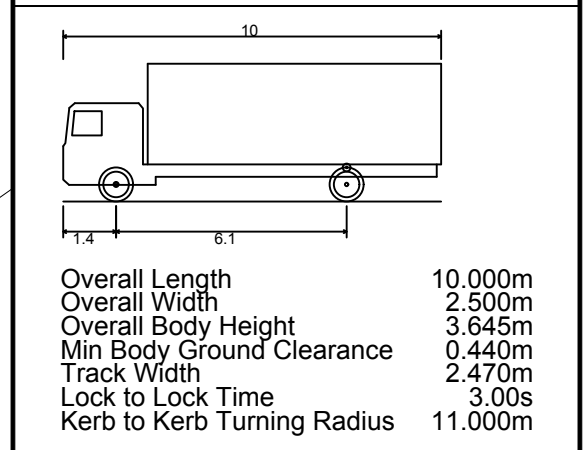


Rev	Details	Drawn	Checked	Date
A	Goodge Place vehicle route removed.	AS	DF	07.08.2017

NOTES :

1. Do not scale from this drawing.
2. This drawing to be read & printed in colour.
3. This drawing is for illustrative purposes only, and not for construction.

FTA DESIGN HG RIGID VEHICLE (1998)



	FORWARD MOVEMENTS (design speed - 5kph)
	REVERSE MOVEMENTS (design speed - 2.5kph)

Client
8 Build Ltd

Project
77 Charlotte Street

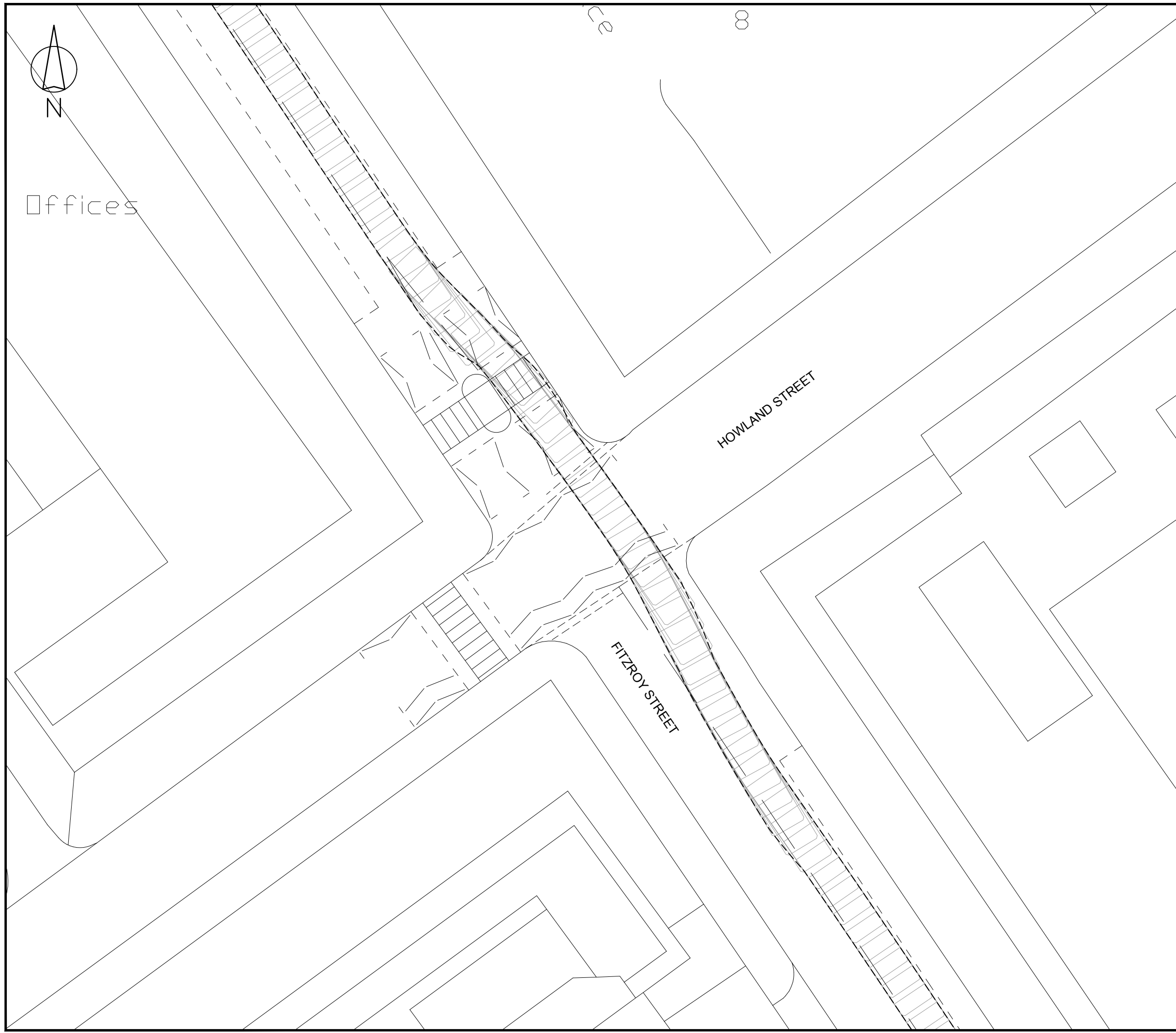
Drawing Title
**Vehicular Swept Paths Analysis
using FTA Design HG Rigid
Vehicle - Sheet 5 of 9**

Scale	1:250	Size	A3
Drawn	DW	06.06.2017	
Checked	JT	06.06.2017	



111 - 113 Great Portland Street
London
W1W 6QQ
Tel. No. 0207 1000 753

Drawing Number	2017-3115-TR02(5)	Rev	A
----------------	--------------------------	-----	----------

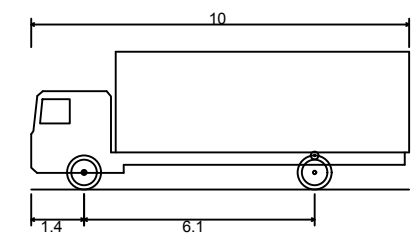


Rev	Details	Drawn	Checked	Date
A	Goodge Place vehicle route removed.	AS	DF	07.08.2017

NOTES :

1. Do not scale from this drawing.
2. This drawing to be read & printed in colour.
3. This drawing is for illustrative purposes only, and not for construction.

FTA DESIGN HG RIGID VEHICLE (1998)



Overall Length	10.000m
Overall Width	2.500m
Overall Body Height	3.645m
Min Body Ground Clearance	0.440m
Track Width	2.470m
Lock to Lock Time	3.00s
Kerb to Kerb Turning Radius	11.000m

	FORWARD MOVEMENTS (design speed - 5kph)
	REVERSE MOVEMENTS (design speed - 2.5kph)

Client
8 Build Ltd

Project
77 Charlotte Street

Drawing Title
Vehicular Swept Paths Analysis using FTA Design HG Rigid Vehicle - Sheet 6 of 9

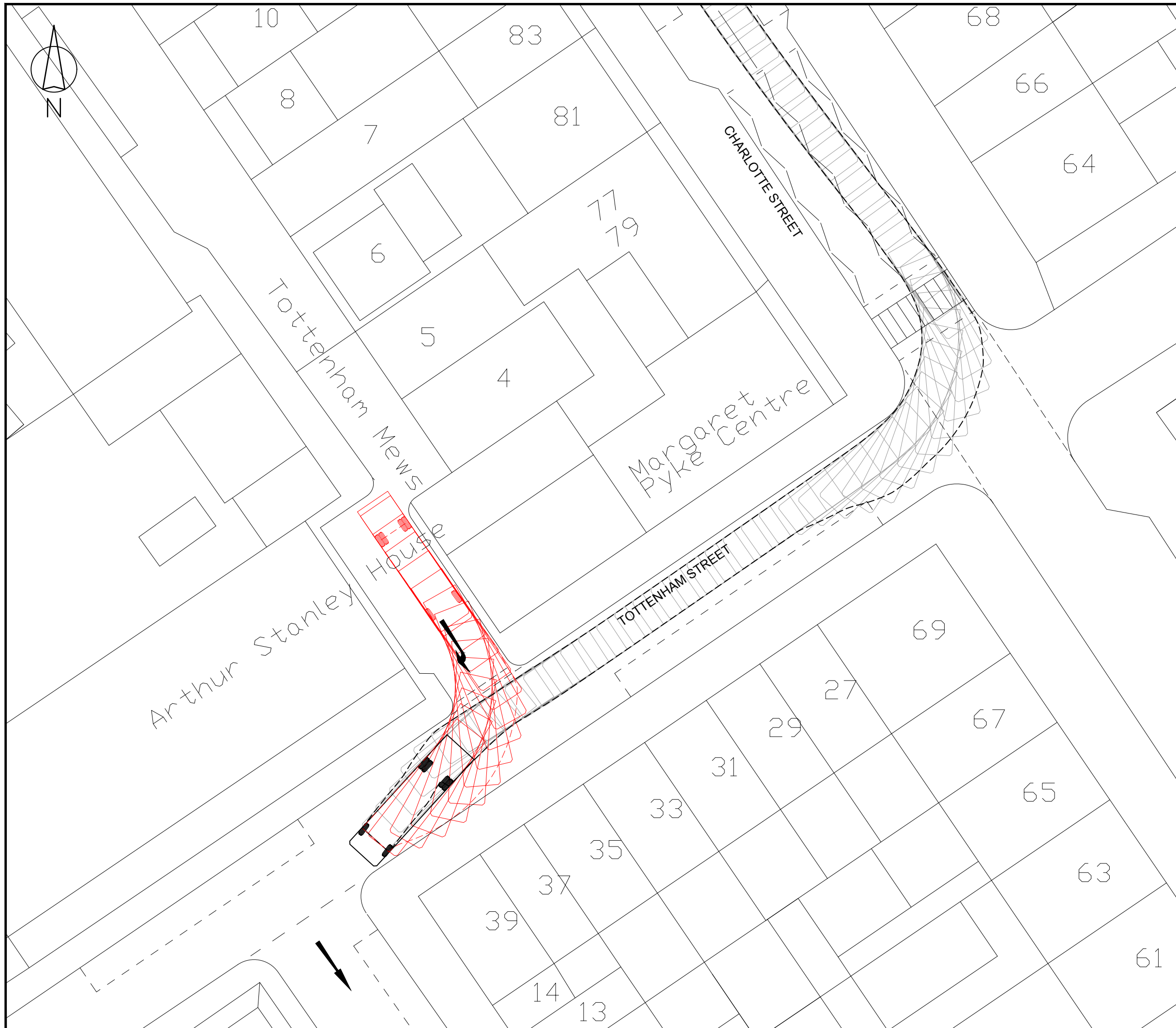
Scale	1:250	Size	A3
Drawn	DW	06.06.2017	
Checked	JT	06.06.2017	



111 - 113 Great Portland Street
London
W1W 6QQ
Tel. No. 0207 1000 753

Drawing Number	2017-3115-TR02(6)	Rev	A
----------------	--------------------------	-----	----------

D:\CAD\PRECISION\LTD BOX FILES\DATA\A001396-TTP3115 77-79 CHARLOTTE STREET\2017-3115-TR02_A - VEHICULAR SWEPT PATHS ANALYSIS USING FTA DESIGN HG RIGID VEHICLE.DWG

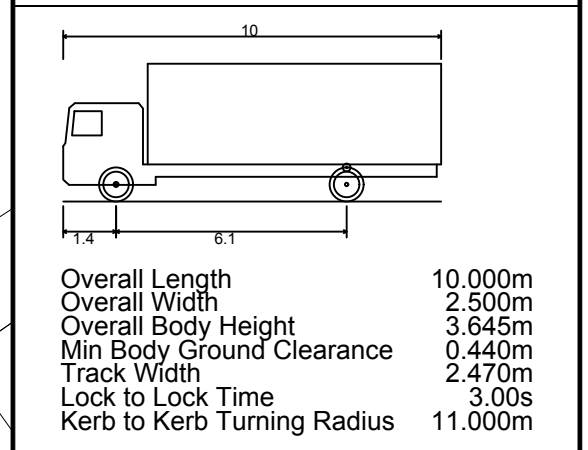


Rev	Details	Drawn	Checked	Date
A	Goodge Place vehicle route removed.	AS	DF	07.08.2017

NOTES :

- Do not scale from this drawing.
- This drawing to be read & printed in colour.
- This drawing is for illustrative purposes only, and not for construction.

FTA DESIGN HG RIGID VEHICLE (1998)



	FORWARD MOVEMENTS (design speed - 5kph)
	REVERSE MOVEMENTS (design speed - 2.5kph)

Client
8 Build Ltd

Project
77 Charlotte Street

Drawing Title
Vehicular Swept Paths Analysis using FTA Design HG Rigid Vehicle - Sheet 7 of 9

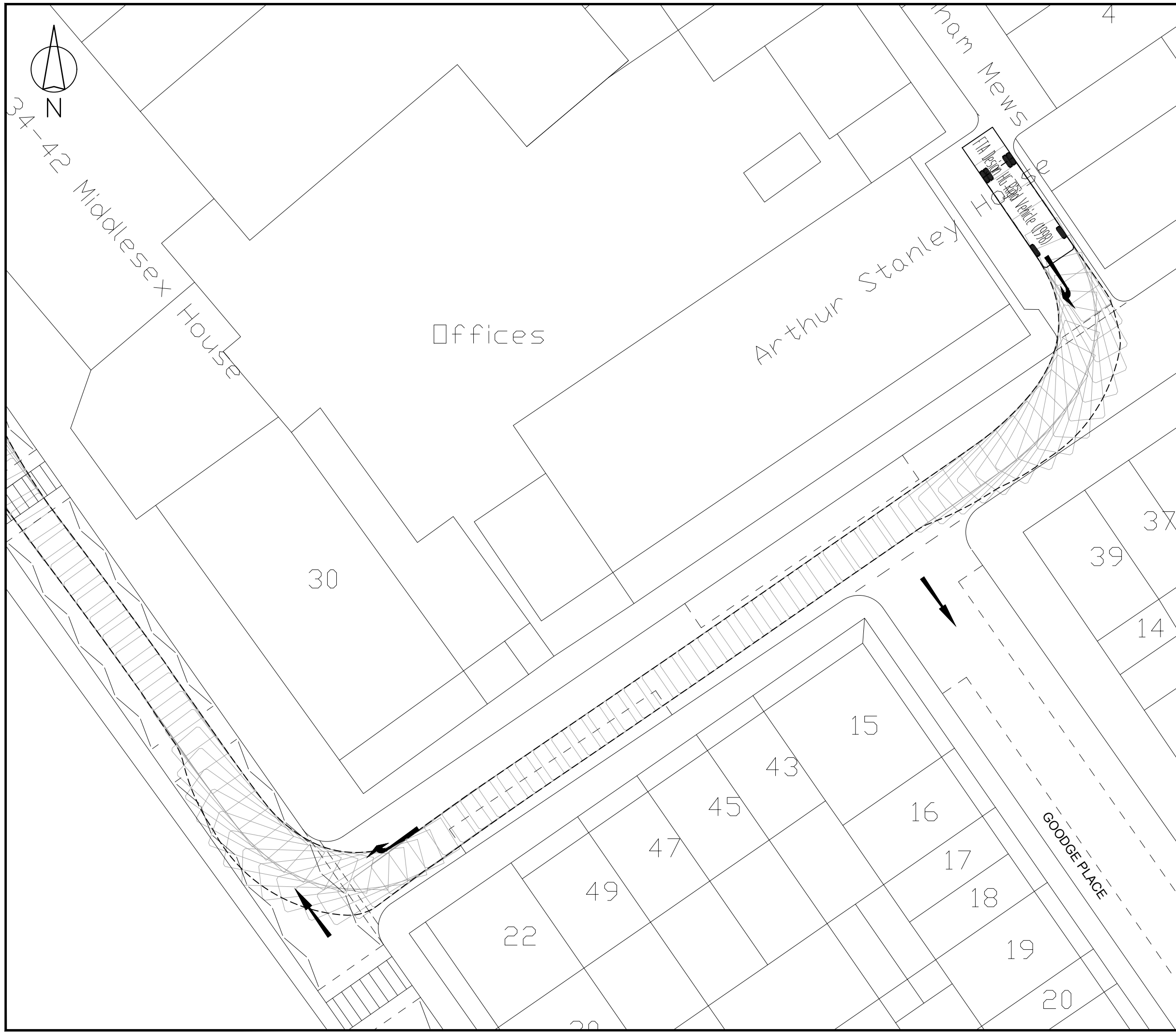
Scale	1:250	Size	A3
Drawn	DW	06.06.2017	
Checked	JT	06.06.2017	



111 - 113 Great Portland Street
London
W1W 6QQ
Tel. No. 0207 1000 753

Drawing Number	2017-3115-TR02(7)	Rev	A
----------------	--------------------------	-----	----------

D:\CAD\PRECISION\LD BOX FILES\DATA\001396-TTP3115-77-79 CHARLOTTE STREET\2017-3115-TR02_A - VEHICULAR SWEEP PATHS ANALYSIS USING FTA DESIGN HG RIGID VEHICLE.DWG

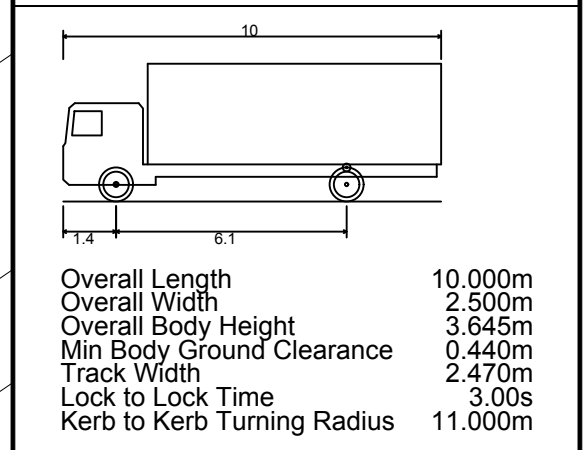


Rev	Details	Drawn	Checked	Date
A	Goodge Place vehicle route removed.	AS	DF	07.08.2017

NOTES:

- Do not scale from this drawing.
- This drawing to be read & printed in colour.
- This drawing is for illustrative purposes only, and not for construction.

FTA DESIGN HG RIGID VEHICLE (1998)



	FORWARD MOVEMENTS (design speed - 5kph)
	REVERSE MOVEMENTS (design speed - 2.5kph)

Client
8 Build Ltd

Project
77 Charlotte Street

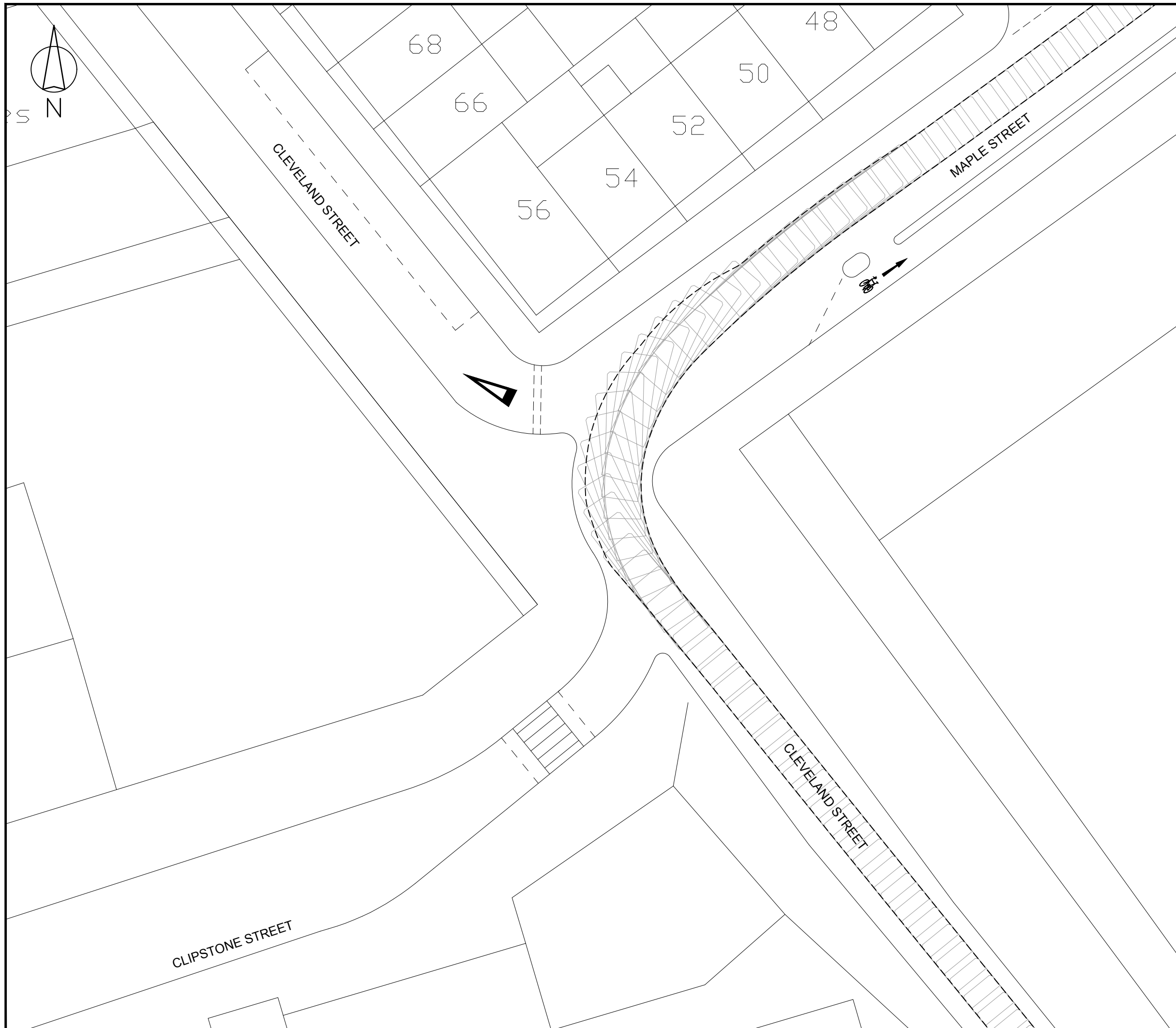
Drawing Title
**Vehicular Swept Paths Analysis
using FTA Design HG Rigid
Vehicle - Sheet 8 of 9**

Scale	1:250	Size	A3
Drawn	DW	06.06.2017	
Checked	JT	06.06.2017	



111 - 113 Great Portland Street
London
W1W 6QQ
Tel. No. 0207 1000 753

Drawing Number	2017-3115-TR02(8)	Rev	A
----------------	--------------------------	-----	----------

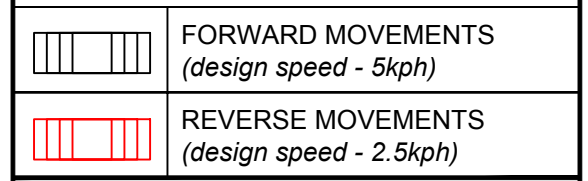
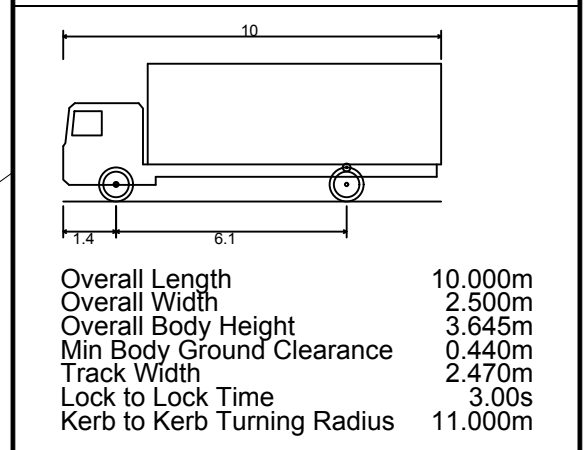


Rev	Details	Drawn	Checked	Date
A	Goodge Place vehicle route removed.	AS	DF	07.08.2017

NOTES:

- Do not scale from this drawing.
- This drawing to be read & printed in colour.
- This drawing is for illustrative purposes only, and not for construction.

FTA DESIGN HG RIGID VEHICLE (1998)



Client
8 Build Ltd

Project
77 Charlotte Street

Drawing Title
**Vehicular Swept Paths Analysis
using FTA Design HG Rigid
Vehicle - Sheet 9 of 9**

Scale	1:250	Size	A3
Drawn	DW	06.06.2017	
Checked	JT	06.06.2017	



111 - 113 Great Portland Street
London
W1W 6QQ
Tel. No. 0207 1000 753

Drawing Number	2017-3115-TR02(9)	Rev	A
----------------	--------------------------	-----	----------