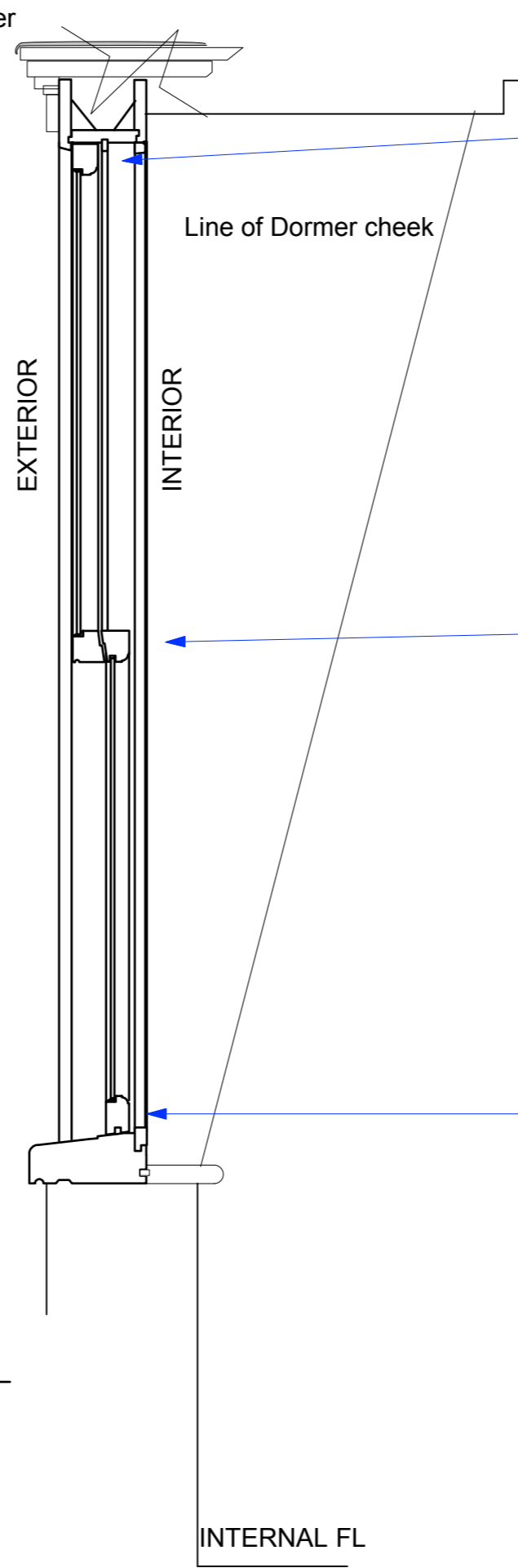


roof of Dormer



Line of Dormer cheek

EXTERIOR

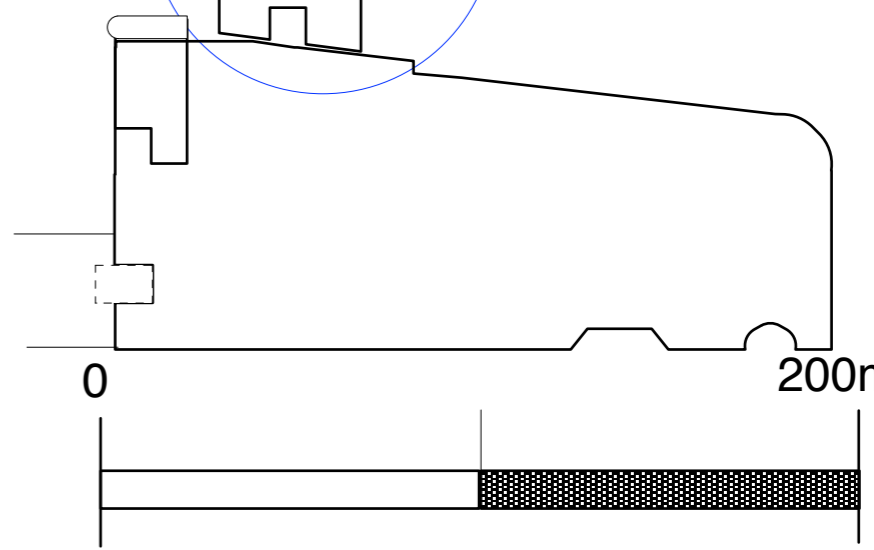
INTERIOR

INTERNAL FL

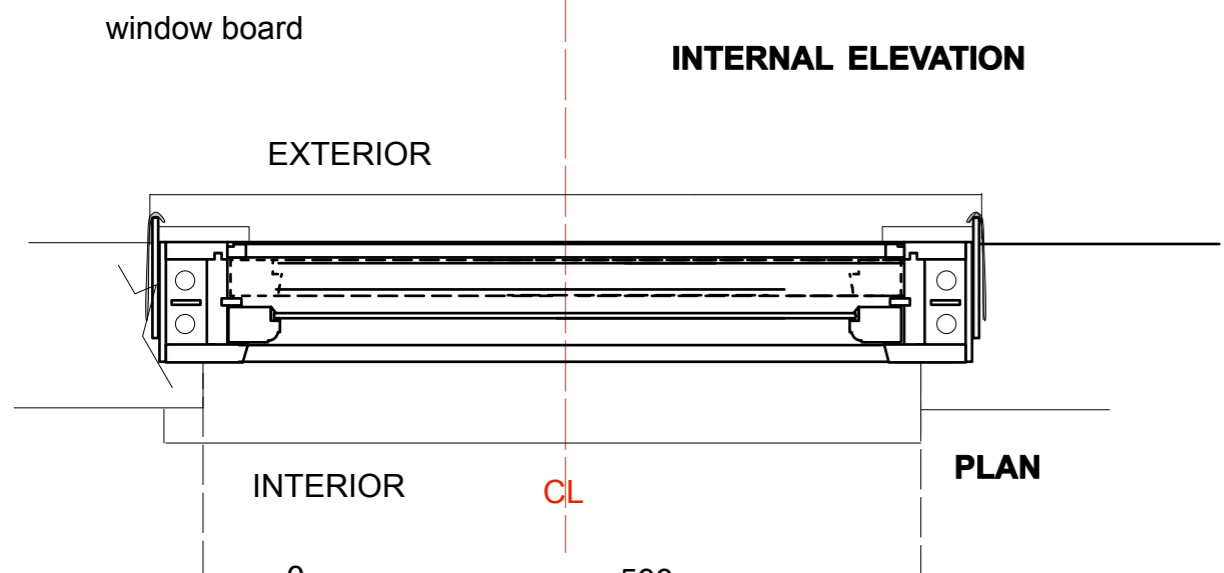
Top rail of sash

meeting rails

no horns visible on upper sashes on rear elevation



SCALE 1:2 @ A3



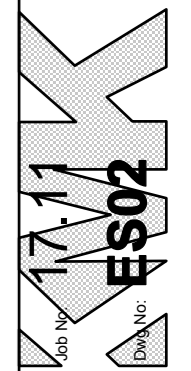
PLAN

CL

0 500mm

SCALE 1:10

REAR ELEVATION EXISTING WINDOWS W4 & W5 TYPE B
 Flat 19, White Hall, 9-11 Bloomsbury Square, WC1A 2LP



KMK Architects Ltd.
 Phone/ 020 7582 7527
 Email/ info@kmkarchitects.co.uk
 85 Lambeth Walk, London
 SE11 6DX

Flat 19, White Hall, 9-11 Bloomsbury Sq
 LONDON WC1A 2LP
EXISTING WINDOW SCHEDULE 1 of 2
 1:10 @ A3

JOB:
 DRAWING:
 SCALE:

REVISIONS: