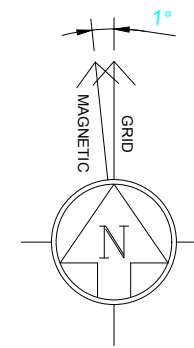
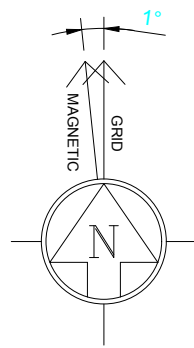






The design of this site is in accordance with the following Design Documentation:

Radio Base Station design Guide & Specification -Issue Date 31/03/06  
 Technical Guidance Notes -TGN 92 to TGN 0122 inclusive.  
 -Excluding 97,100

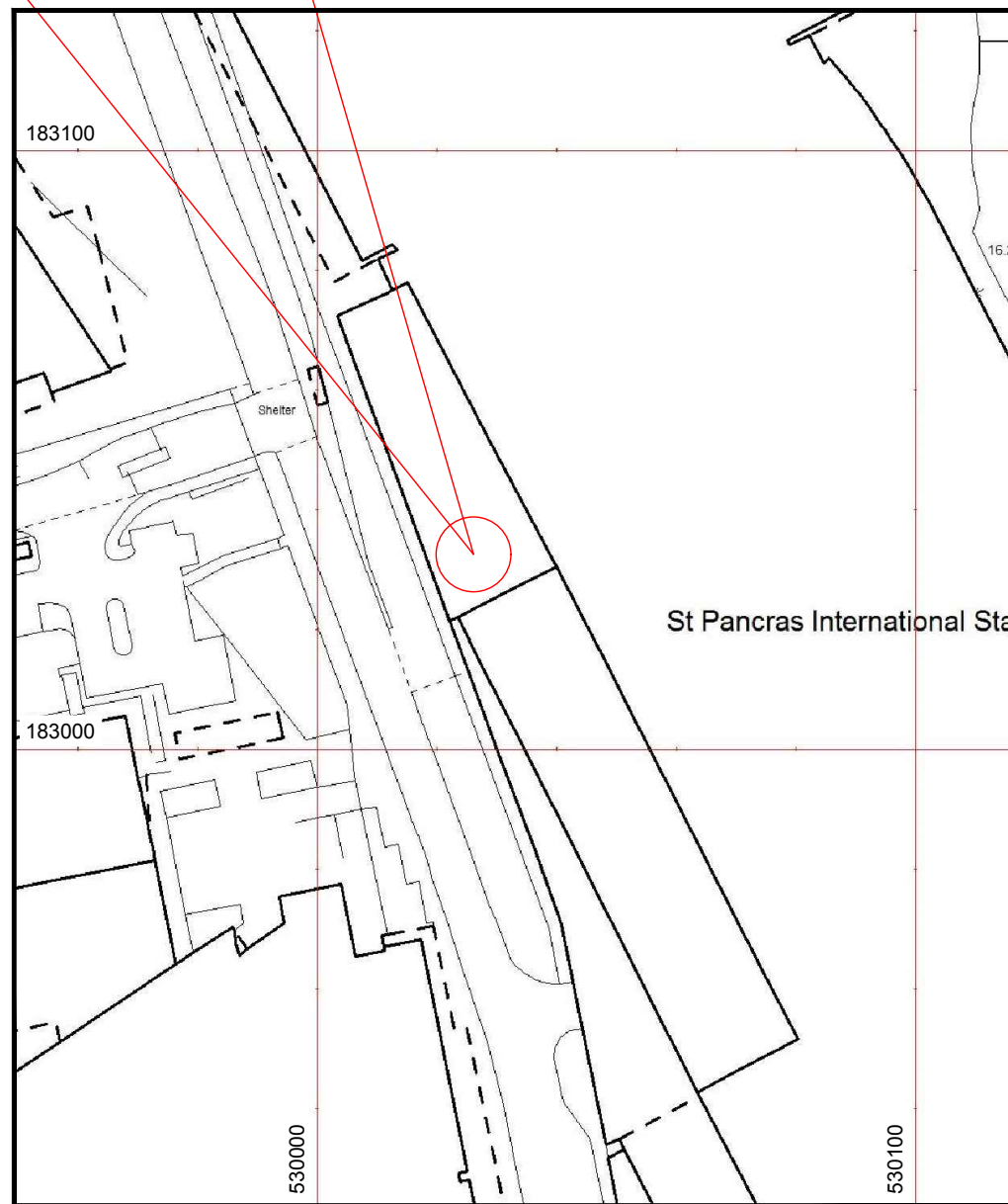


**SITE LOCATION**



**LOCATION PLAN (1:50000)**

**SITE LOCATION**



**BLOCK PLAN (1:1250)**

**GENERAL NOTES**

Based upon ordnance survey maps with the permission of the controller of Her Majesty's stationery office. © Crown Copyright.

O.S. Ref : E:530033 N:183038

Rev	Date	Amendments	Drawn By	Approved By
B	15.02.17	Bracket detail revised	DD	AL
A	15.12.16	Planning Issue	DD	AL

Client

Airwave  
 Charter Court  
 50 Windsor Road  
 Slough, Berkshire  
 SL1 1YP UK

Job Title  
 AKRP

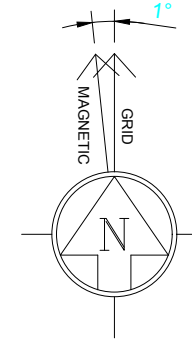
Drawing Title  
 PLANNING DRAWING  
 ST PANCRAS STATION  
 EUSTON ROAD, KINGS CROSS,  
 LONDON N1C 4QP

Scale	As Shown	County Ref	-
Drawn by	DD	Checked by	AL
Date Drawn	15.12.16	Date Checked	15.12.16
Site Code	MTR753	Consultant Ref	AKRPMTR753-GA-01-A



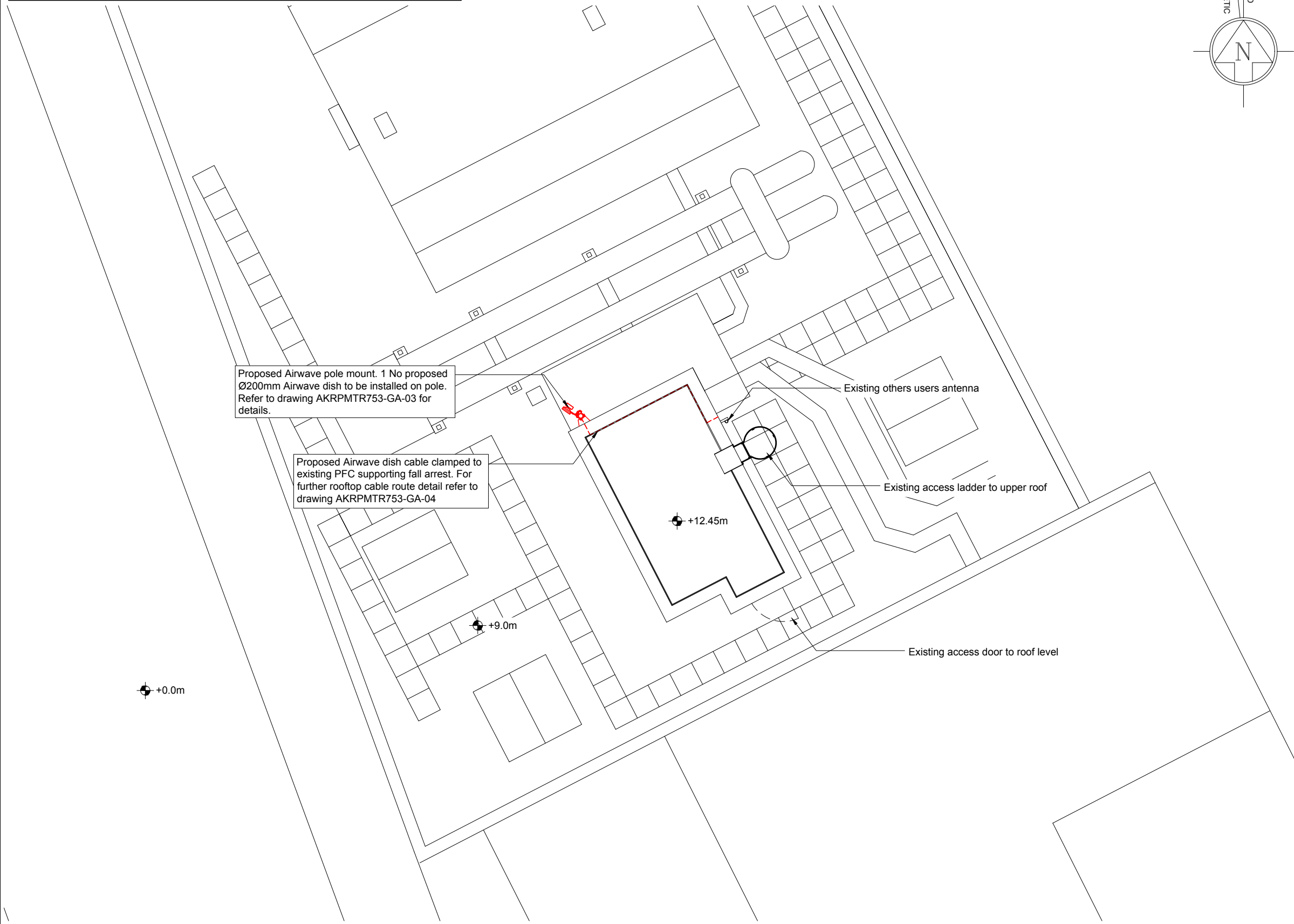
The design of this site is in accordance with the following Design Documentation:

Radio Base Station design Guide & Specification -Issue Date 31/03/06  
 Technical Guidance Notes -TGN 92 to TGN 0122 inclusive.  
 -Excluding 97,100



NOTE: ORIGINAL DRAWING SIZE A3 P1308\_564

1. This drawing to be read in conjunction with AKRPMTR753 drawing No's. 01-20 series and Airwave GEN/xx series drawings.
2. All dimensions are in mm unless otherwise noted.



Proposed Airwave pole mount. 1 No proposed Ø200mm Airwave dish to be installed on pole. Refer to drawing AKRPMTR753-GA-03 for details.

Proposed Airwave dish cable clamped to existing PFC supporting fall arrest. For further rooftop cable route detail refer to drawing AKRPMTR753-GA-04

Existing others users antenna

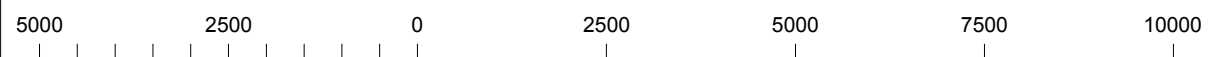
Existing access ladder to upper roof

Existing access door to roof level

+0.0m

+9.0m

+12.45m



ORIGINAL SCALE AT A3 - 1:100

ALL DIMENSIONS IN MILLIMETRES

**SITE LAYOUT**  
SCALE 1:100

Rev	Date	Amendments	Drawn By	Approved By
C	12.01.18	Dish position amended	CK	AL
B	15.02.17	Bracket detail revised	DD	AL
A	15.12.16	Planning Issue	DD	AL



Client  
 **AIRWAVE**  
 a Motorola Solutions Company  
 Airwave  
 Charter Court  
 50 Windsor Road  
 Slough, Berkshire  
 SL1 1YP UK

Job Title  
 AKRP

Drawing Title  
 PLANNING DRAWING  
 ST PANCRAS STATION  
 EUSTON ROAD, KINGS CROSS,  
 LONDON N1C 4QP

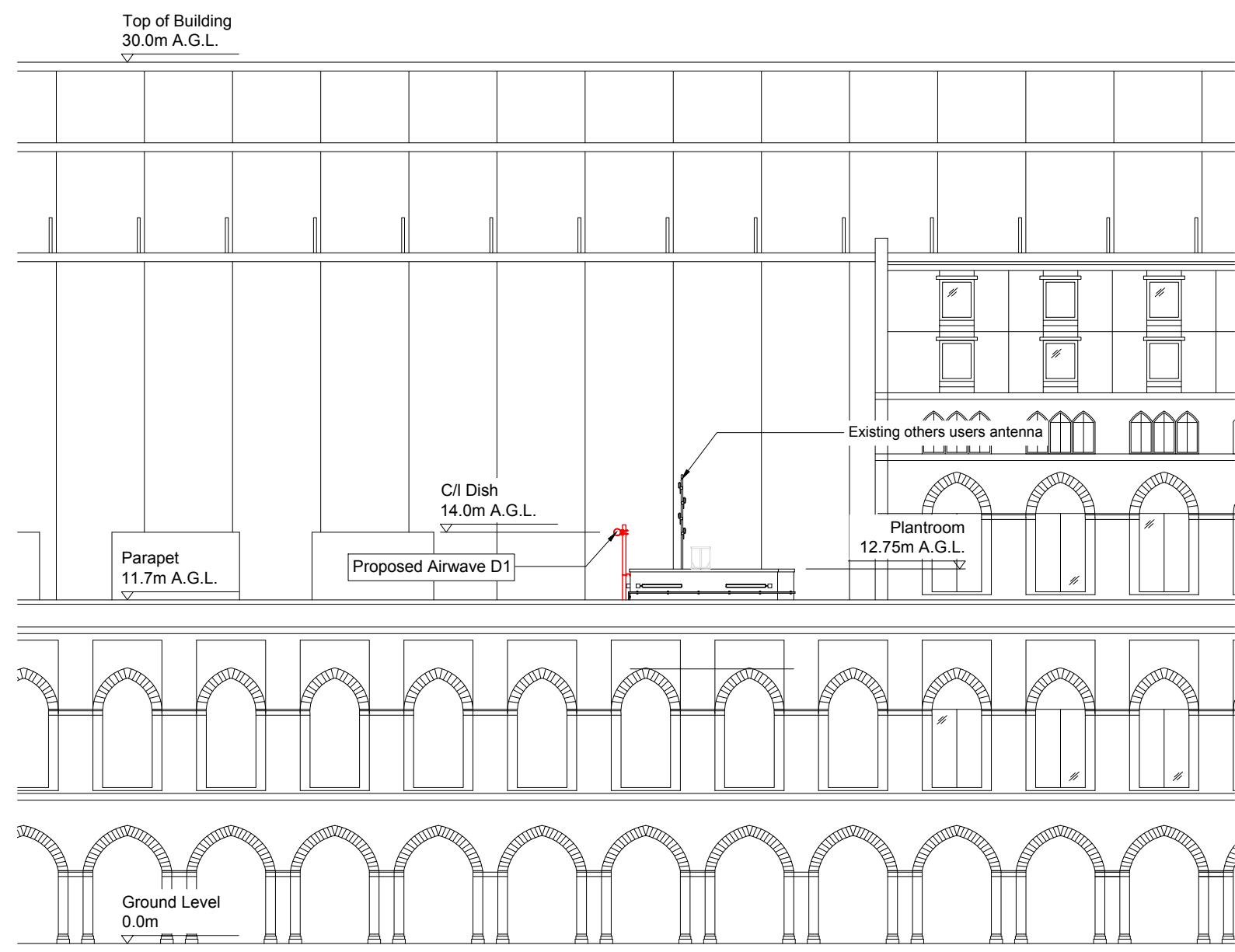
Scale As Shown	County Ref -
Drawn by DD	Checked by AL
Date Drawn 15.12.16	Date Checked 15.12.16
Site Code MTR753	Consultant Ref AKRPMTR753-GA-02-C

1. This drawing to be read in conjunction with AKRPMTR753 drawing No's. 01-20 series and Airwave GEN/xx series drawings.
2. All dimensions are in mm unless otherwise noted.

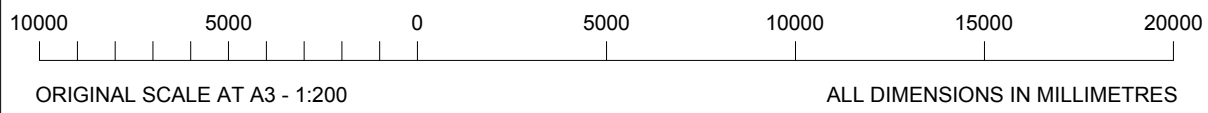
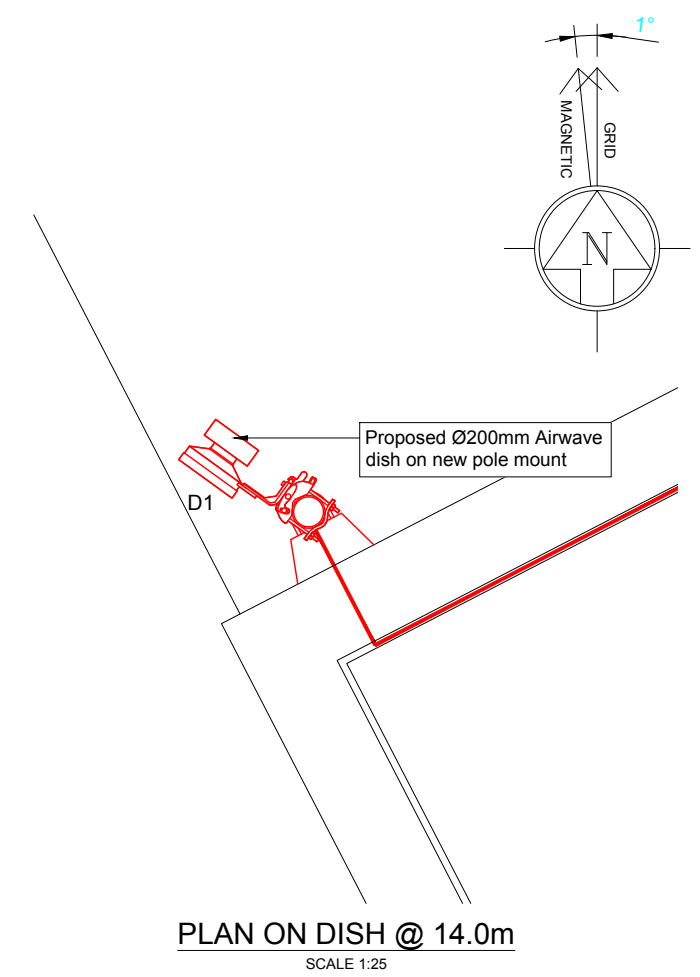
Proposed Airwave Dish Schedule						
Antenna/ Dish Ref.	Dish Type	Size (mm)	Height A.G.L.(m)	Antenna Bearing	Cable Type	Cable Length (m)
D1	Parabolic	200	14.0	215.9°	RG8/U	TBC

Proposed Airwave Dish Link		
Dish Reference	Link Name	Segment
D1	MTR988-MTR753	KXR-457

Rev	Date	Amendments	Drawn By	Approved By
D	22.02.18	KXR amended	CK	AL
C	12.01.18	Dish position amended	CK	AL
B	15.02.17	Bracket detail revised	DD	AL
A	15.12.16	Planning Issue	DD	AL



**SOUTH WEST ELEVATION**  
SCALE 1:200



Client

**AIRWAVE**  
a Motorola Solutions Company

Airwave  
Charter Court  
50 Windsor Road  
Slough, Berkshire  
SL1 1YP UK

Job Title  
AKRP

---

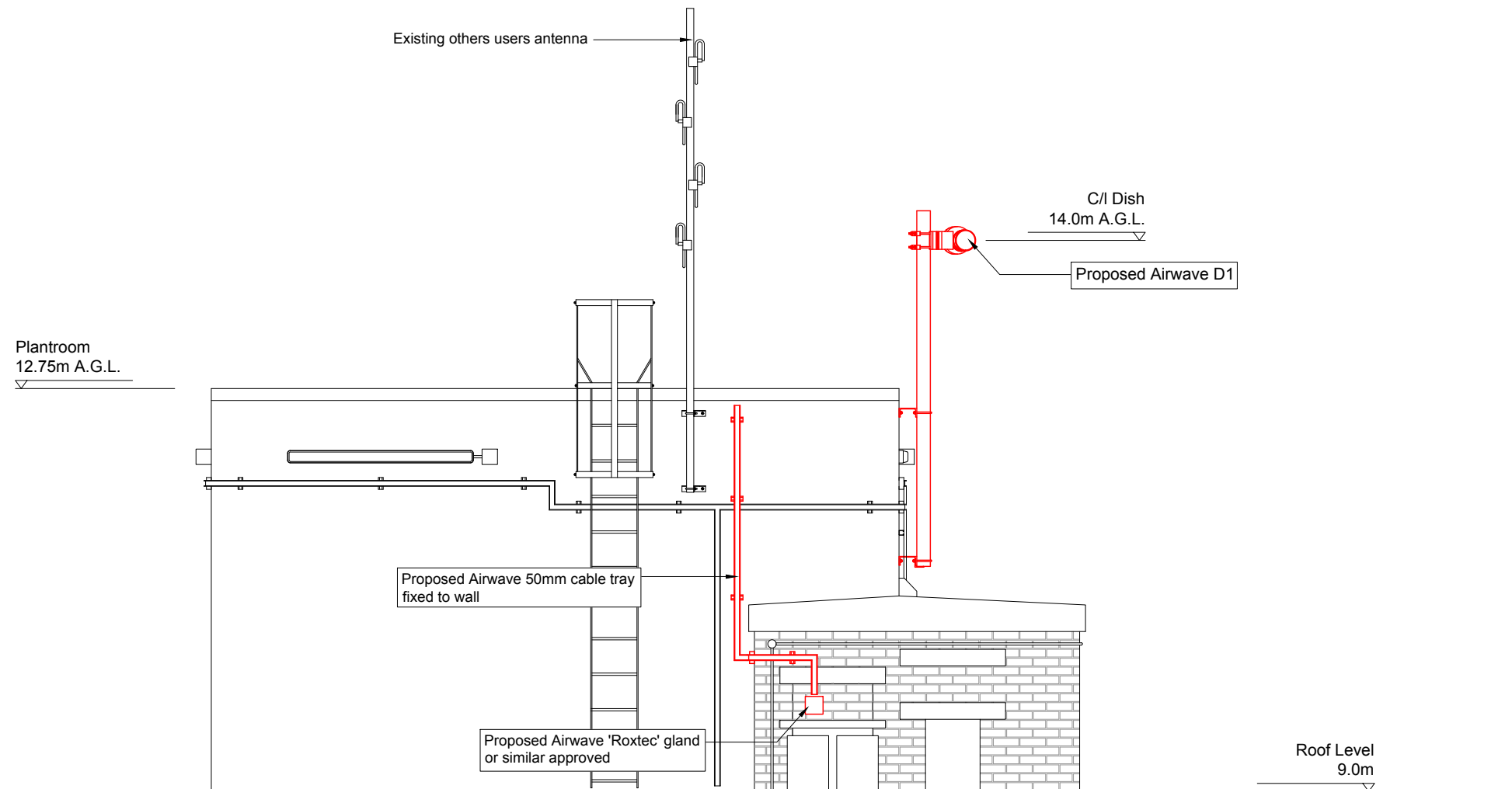
Drawing Title

PLANNING DRAWING  
ST PANCRAS STATION  
EUSTON ROAD, KINGS CROSS,  
LONDON N1C 4QP

Scale As Shown		County Ref -
Drawn by DD	Checked by AL	Approved by VC
Date Drawn 15.12.16	Date Checked 15.12.16	Date Approved 15.12.16

Site Code MTR753	Consultant Ref AKRPMTR753-GA-03-D
---------------------	--------------------------------------

1. This drawing to be read in conjunction with AKRPMTR753 drawing No's. 01-20 series and Airwave GEN/xx series drawings.
2. All dimensions are in mm unless otherwise noted.



### CABLE MANAGEMENT DETAIL

SCALE 1:50



ORIGINAL SCALE AT A3 - 1:50

ALL DIMENSIONS IN MILLIMETRES

Rev	Date	Amendments	Drawn By	Approved By
C	12.01.18	Dish position amended	CK	AL
B	15.02.17	Bracket detail revised	DD	AL
A	15.12.16	Planning Issue	DD	AL



Client



**AIRWAVE**  
a Motorola Solutions Company

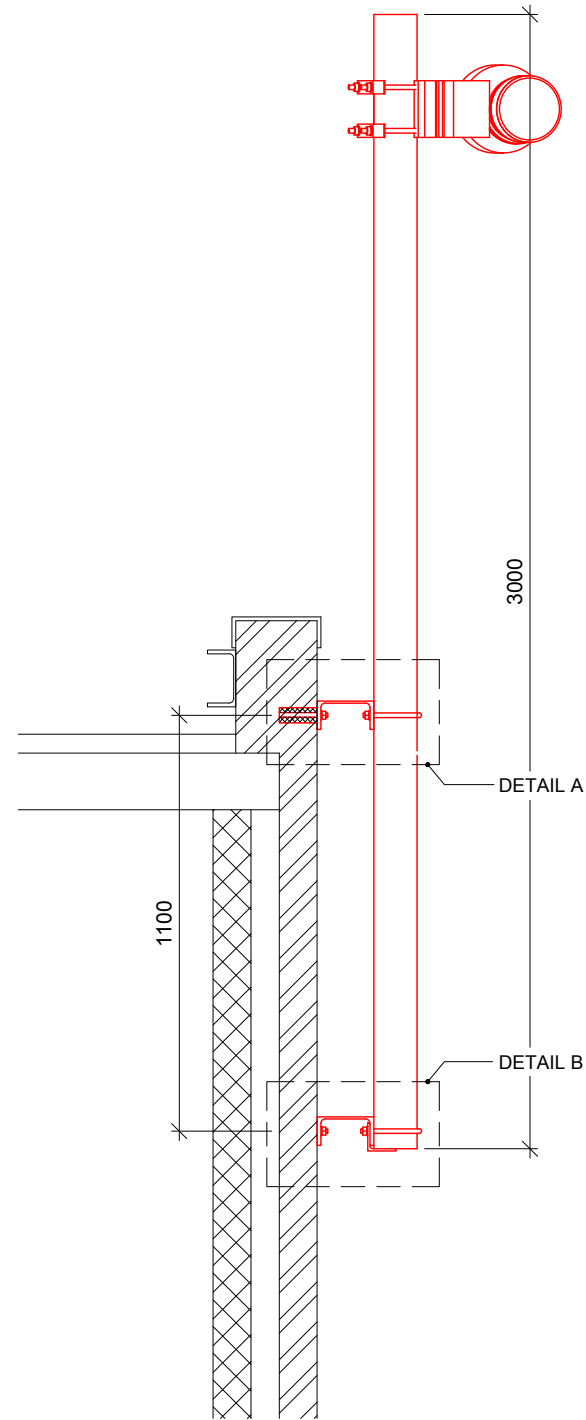
Airwave  
Charter Court  
50 Windsor Road  
Slough, Berkshire  
SL1 1YP UK

Job Title  
AKRP

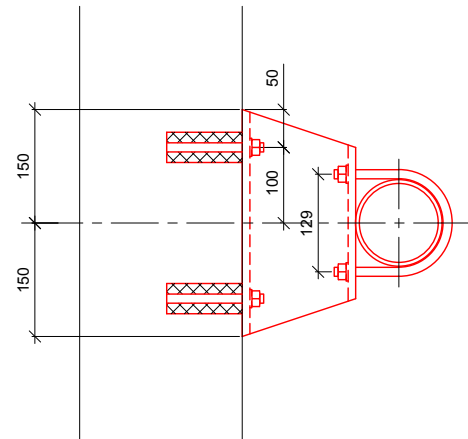
Drawing Title  
PLANNING DRAWING  
ST PANCRAS STATION  
EUSTON ROAD, KINGS CROSS,  
LONDON N1C 4QP

Scale As Shown	County Ref -
Drawn by DD	Checked by AL
Date Drawn 15.12.16	Date Checked 15.12.16
Site Code MTR753	Consultant Ref AKRPMTR753-GA-04-C

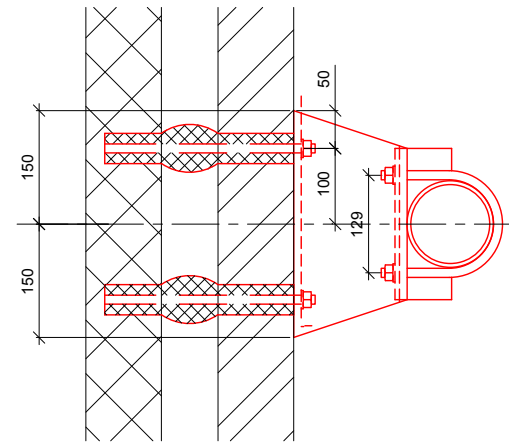
1. This drawing to be read in conjunction with AKRPMTR753 drawing No's. 01-20 series and Airwave GEN/xx series drawings.
2. All dimensions are in mm unless otherwise noted.



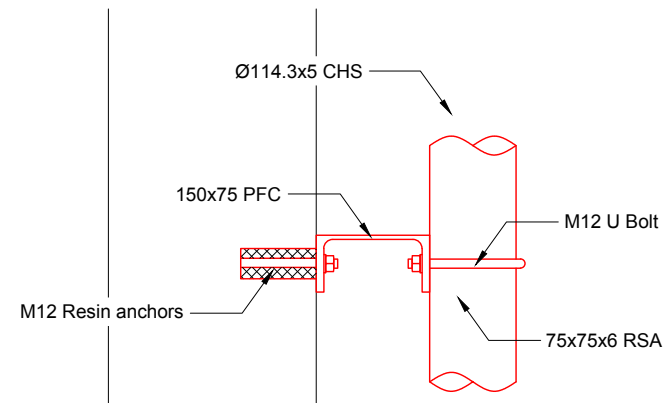
**POLE MOUNT DETAIL**  
SCALE 1:20



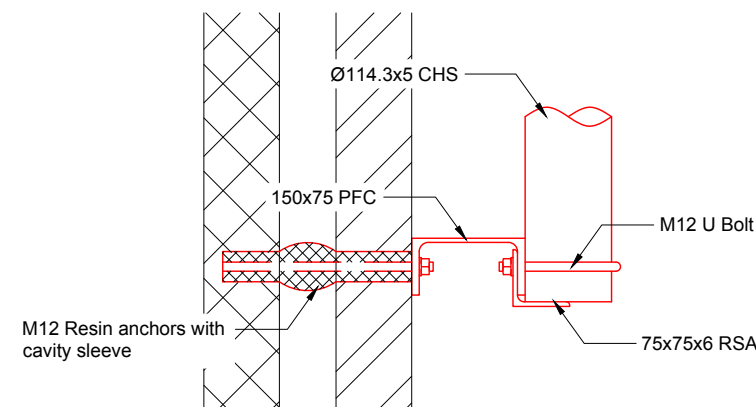
**DETAIL A - PLAN**  
SCALE 1:10



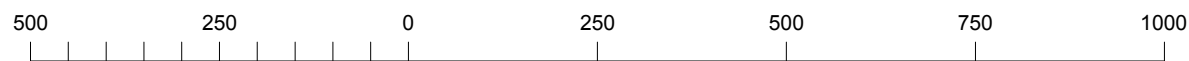
**DETAIL B - PLAN**  
SCALE 1:10



**DETAIL A - ELEVATION**  
SCALE 1:10



**DETAIL B - ELEVATION**  
SCALE 1:10



ORIGINAL SCALE AT A3 - 1:10

ALL DIMENSIONS IN MILLIMETRES

Rev	Date	Amendments	Drawn By	Approved By
D	12.01.18	Dish position amended	CK	AL
C	19.05.17	Dish added	DD	AL
B	15.02.17	Bracket detail revised	DD	AL
A	15.12.16	Planning Issue	DD	AL



Client



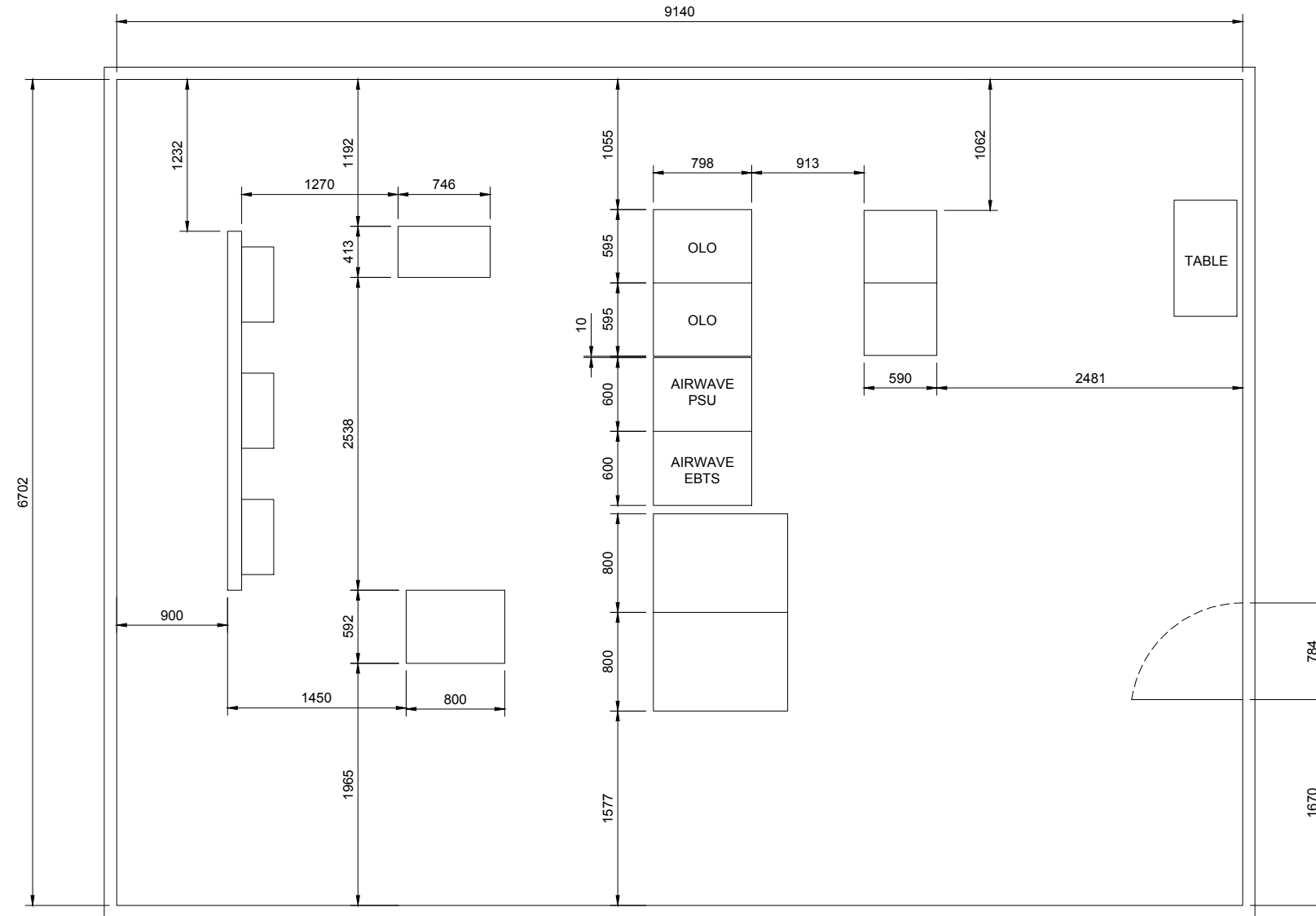
Airwave  
Charter Court  
50 Windsor Road  
Slough, Berkshire  
SL1 1YP UK

Job Title  
AKRP

Drawing Title  
DETAIL DRAWING  
ST PANCRAS STATION  
EUSTON ROAD, KINGS CROSS,  
LONDON N1C 4QP

Scale As Shown	County Ref -
Drawn by DD	Checked by AL
Date Drawn 15.12.16	Date Checked 15.12.16
Site Code MTR753	Consultant Ref AKRPMTR753-DD-15-D

1. This drawing to be read in conjunction with AKRPMTR753 drawing No's. 01-20 series and Airwave GEN/xx series drawings.
2. All dimensions are in mm unless otherwise noted.



### INTERNAL EQUIPMENT ROOM DETAIL

SCALE 1:50



ORIGINAL SCALE AT A3 - 1:50

ALL DIMENSIONS IN MILLIMETRES

Rev	Date	Amendments	Drawn By	Approved By
B	15.02.17	Bracket detail revised	DD	AL
A	15.12.16	Planning Issue	DD	AL



Client

**AIRWAVE**  
a Motorola Solutions Company

Airwave  
Charter Court  
50 Windsor Road  
Slough, Berkshire  
SL1 1YP UK

Job Title  
AKRP

Drawing Title  
DETAIL DRAWING  
ST PANCRAS STATION  
EUSTON ROAD, KINGS CROSS,  
LONDON N1C 4QP

Scale As Shown	County Ref -
Drawn by DD	Checked by AL
Date Drawn 15.12.16	Date Checked 15.12.16
	Approved by VC
	Date Approved 15.12.16

Site Code  
MTR753

Consultant Ref  
AKRPMTR753-DD-100-B