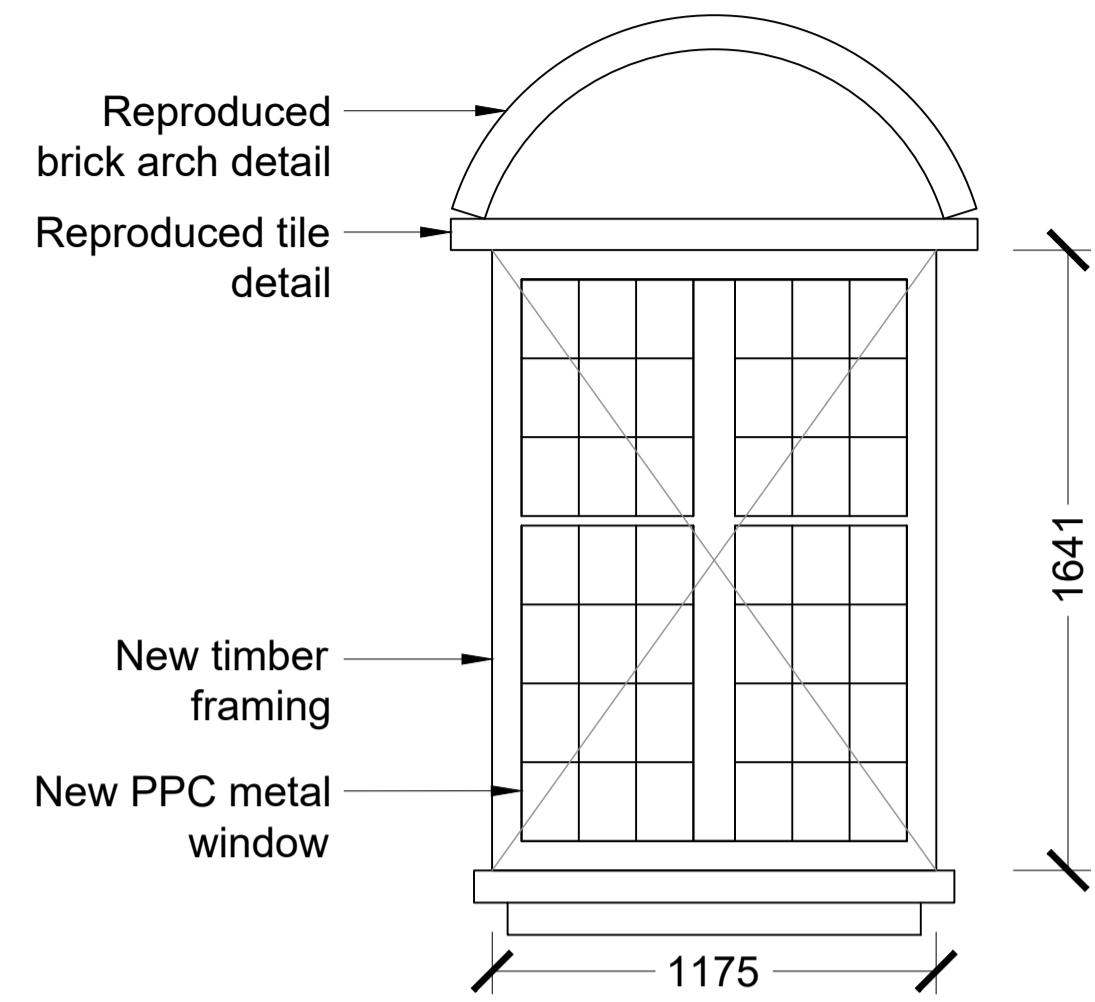
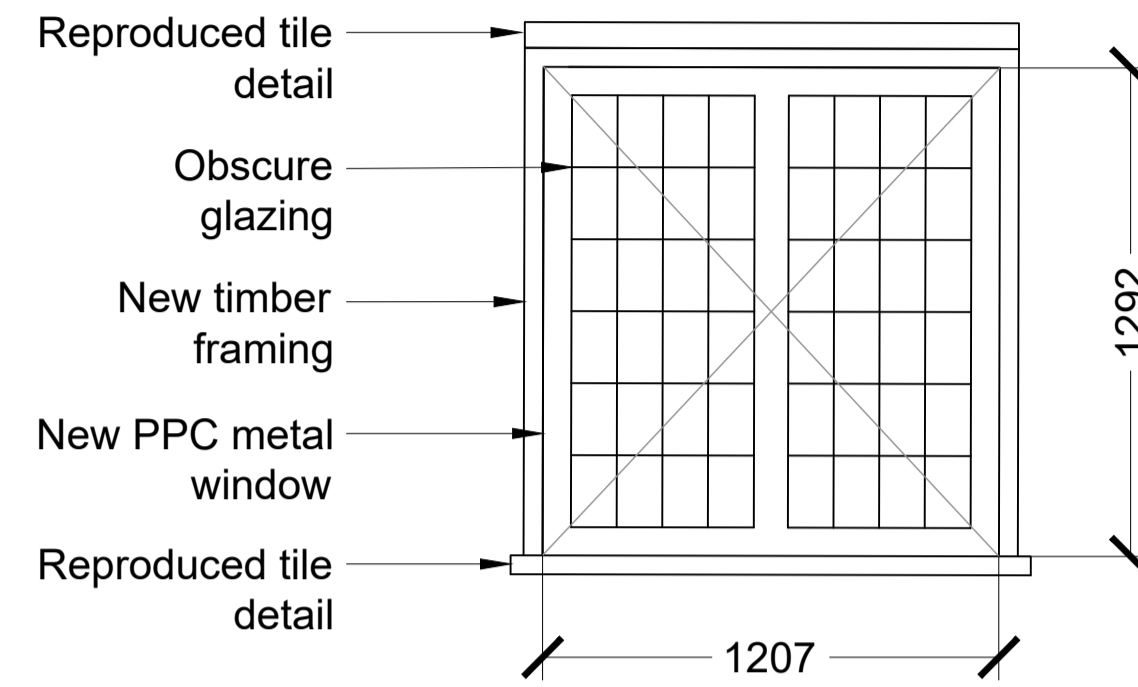


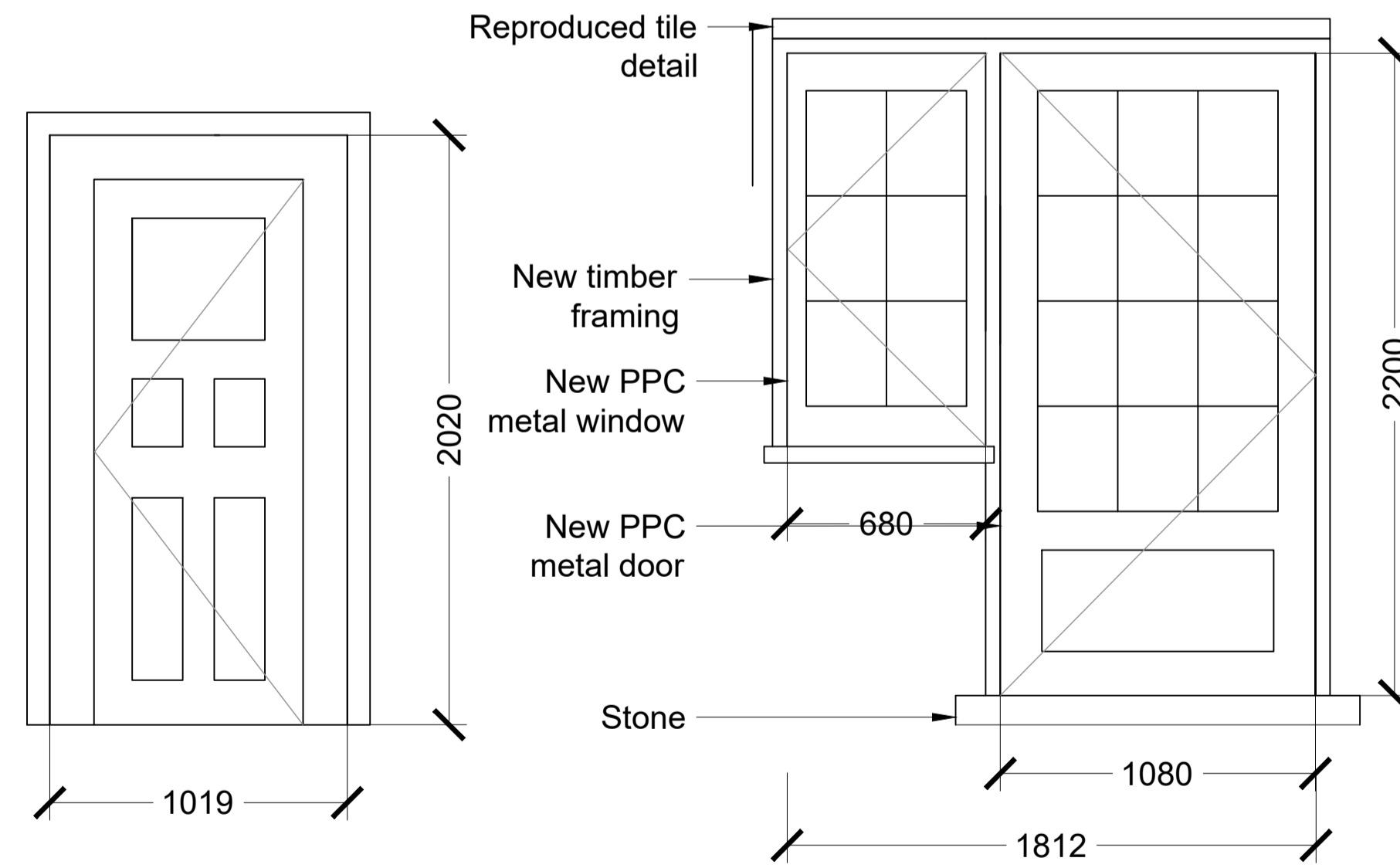
1 - Elevation
WG13
Fire Rating: NA



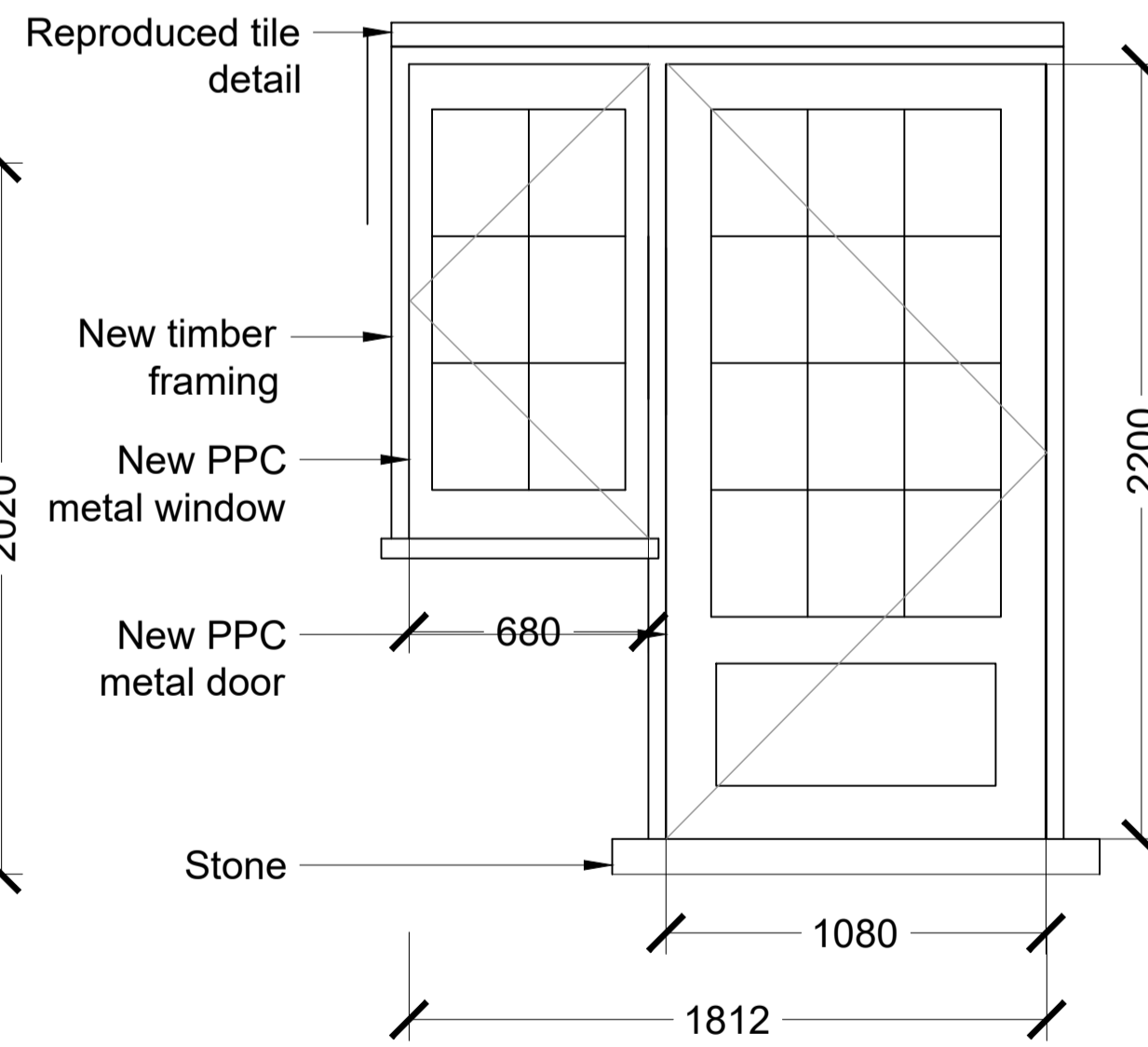
2 - Elevation
WG14
Fire Rating: NA



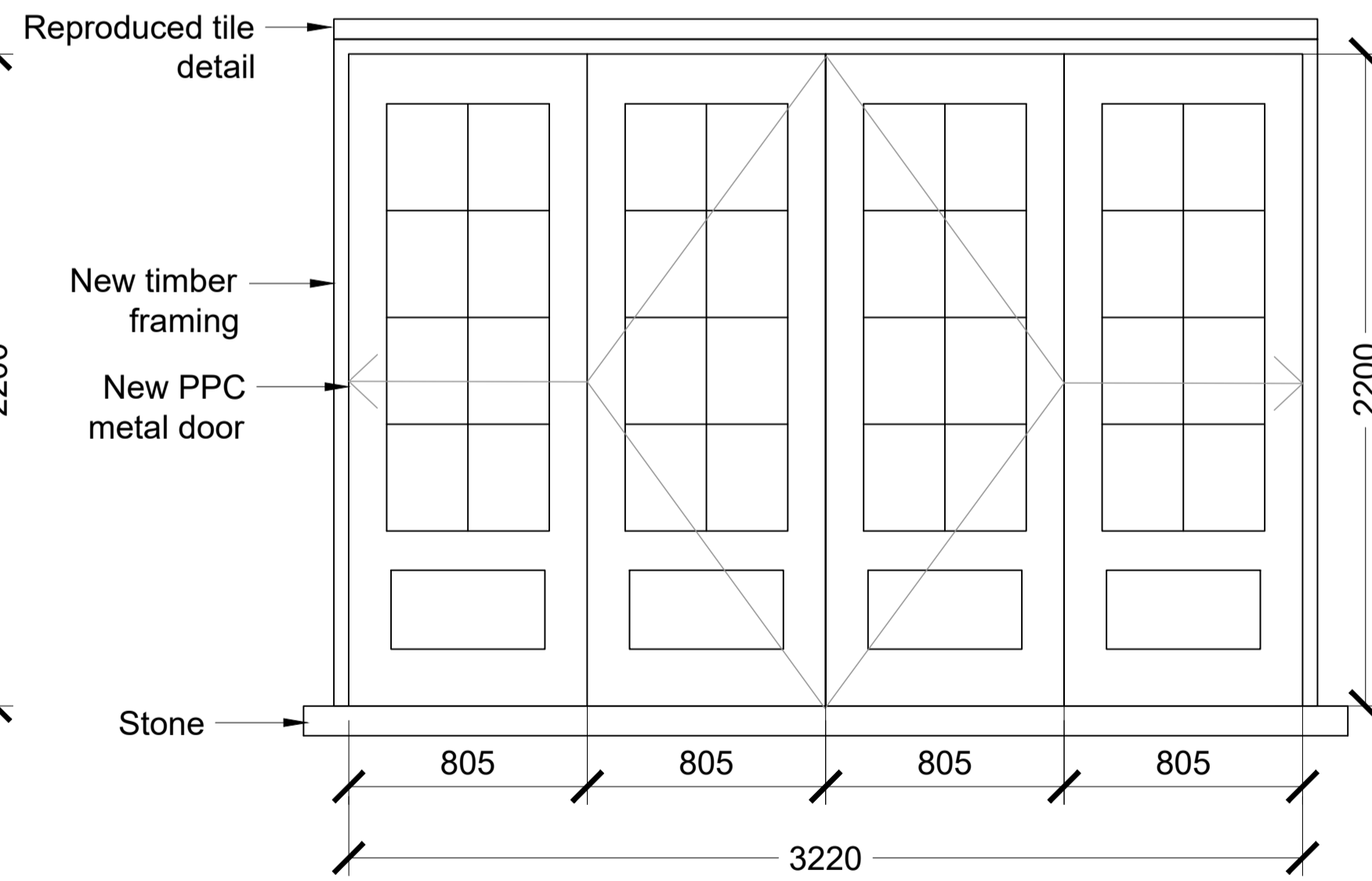
3 - Elevation
WG31, WG33
Fire Rating: NA



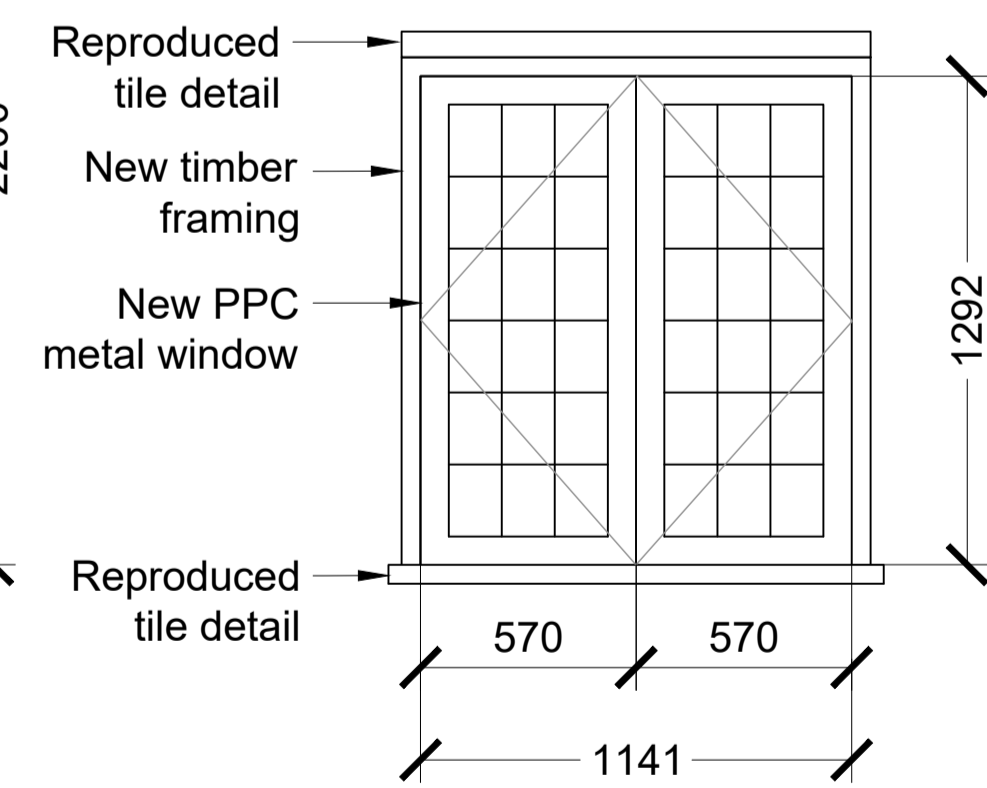
4 - Elevation (Gate)
EXDG13
Fire Rating: NA



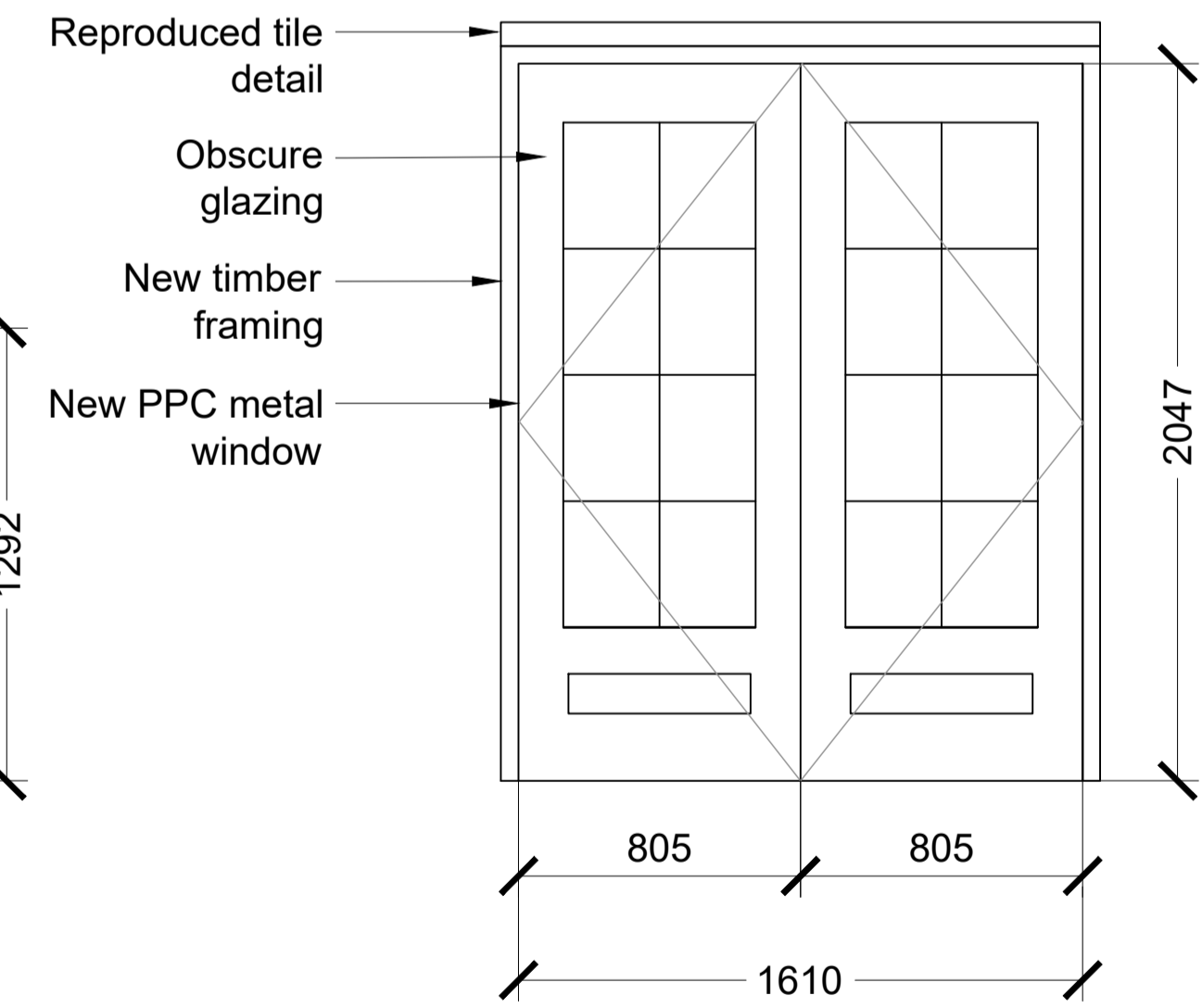
5 - Elevation
EXDB04, WB06
Fire Rating: NA



6 - Elevation
EXDB05
Fire Rating: NA



7 - Elevation
WB07
Fire Rating: NA



8 - Elevation
EXDG09, EXDG12
Fire Rating: NA

Revisions					Revisions				
Rev	Date	By	Description	Checked	Rev	Date	By	Description	Checked
P1	23.03.18	RB	Planning Conditions Discharge	JM					

A1

Client Sign Off	Accredited/Originator: Tate Harmer Client: Platinum Land Project: Belsize Park Firestation Drawing Title: Window door and grille types to extensions Drawing Number: BFS THA PR AL 521 P1	Unit G182, Stamford Works, 3 Gilett Street, London N16 6JH Tel: +44 (0)207 241 7481 Email: studio@tateharmer.com 8 Querpel House, 1 Duke of York Square, Kings Road, London, SW3 4LY Date of Origin: 28.11.17 Drawn By: ABF Scale: 1:20 Drawing Status: Planning
-----------------	---	---

Do not scale. All dimensions to be checked on site. This drawing is copyright.