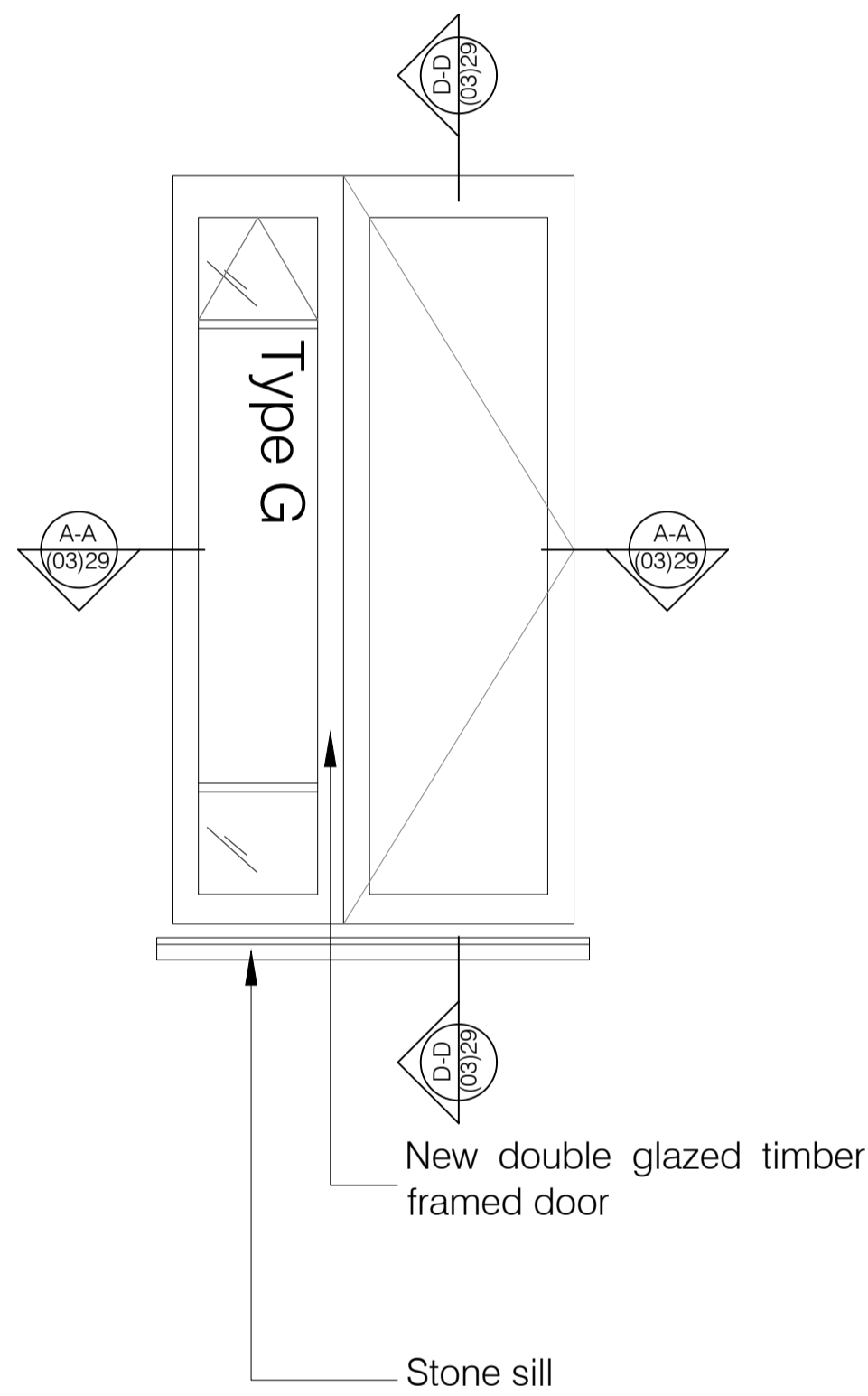


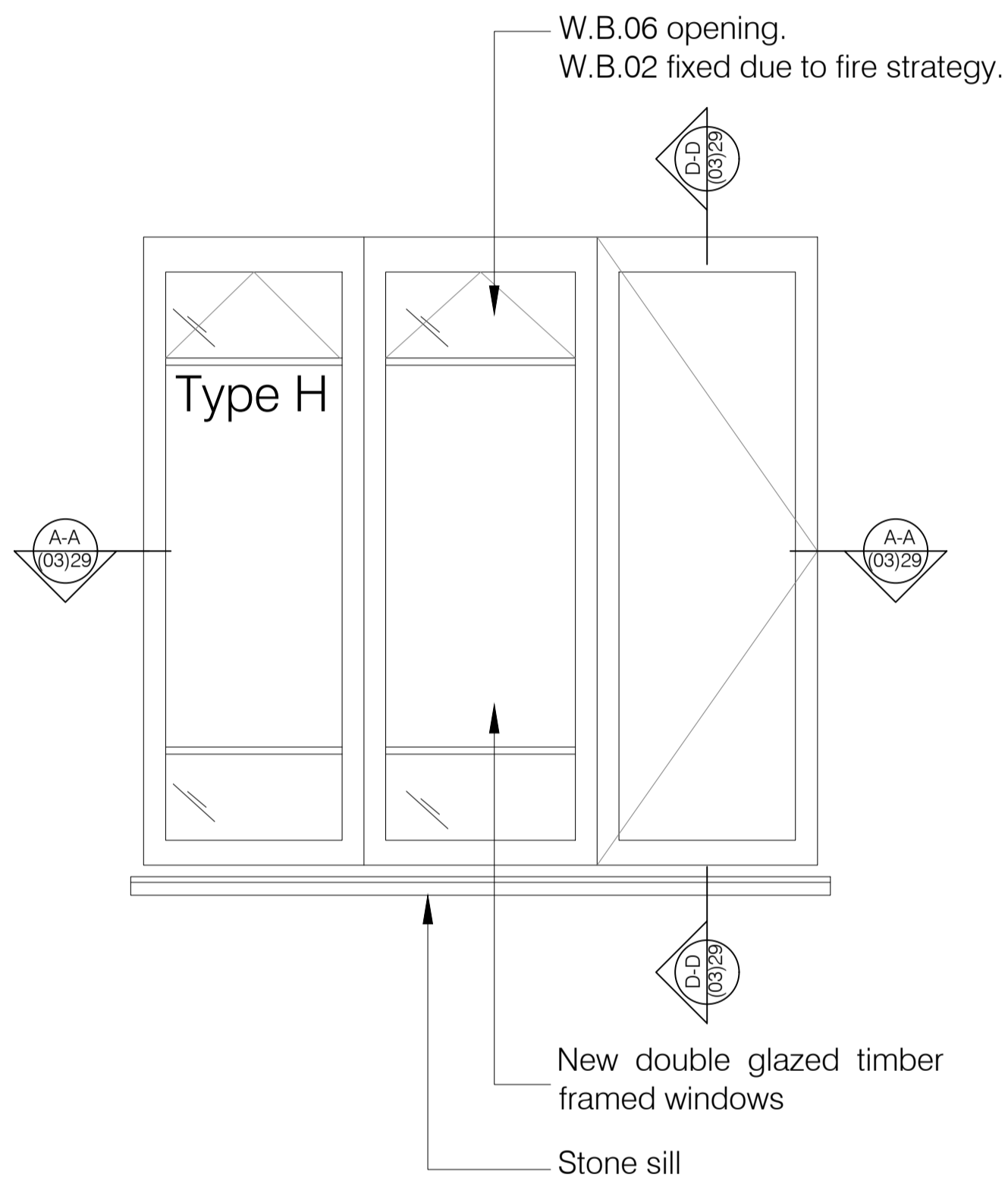
Rev	Date	Details	Drawn by	Checked by
A	12/07/2017	Preliminary issue for information	PV	BL
B	18/12/2017	Window openings amended	PV	BL

The contractor must check all dimensions, levels and services prior to commencement of any work. Box Architects is not responsible for any discrepancies or errors on site. The contractor must ensure that all work is completed in accordance with the project brief and specifications. This drawing is for information only and should not be used for construction without the written permission of Box Architects.

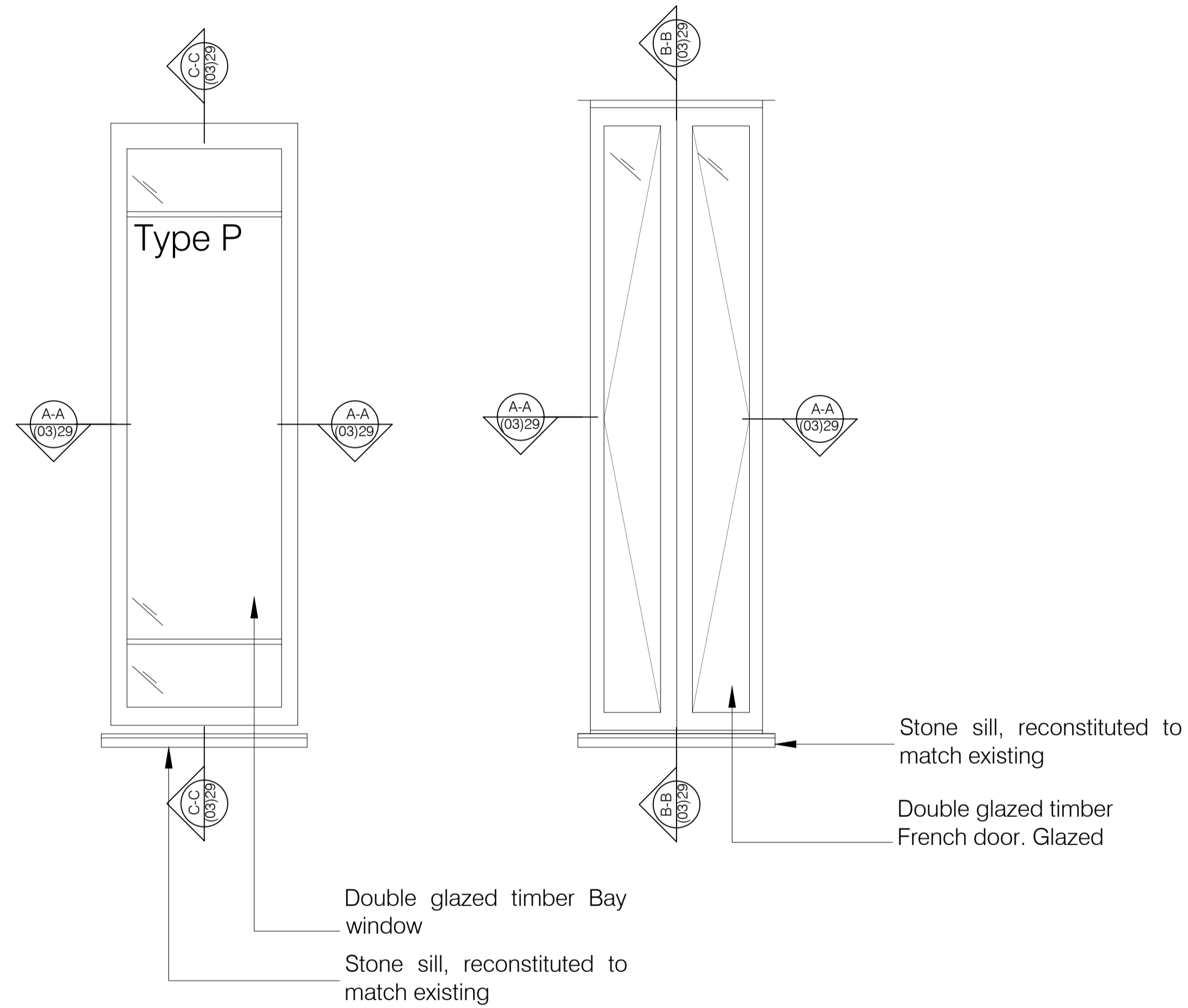
Window Type - G: for Section Details, refer to drawing (03)24
W.B.01
W.B.07 (handed)



Window Type - H: for Section Details, refer to drawing (03)24
W.B.02 (handed)
W.B.06



Window Type - P: for Window Section details, refer to drawing (03)24
W.G.05 W.G.07 W.G.09
W.G.17 W.G.18 W.G.19



Read in conjunction with drawings:
(03)15 to (03)30



client name
S & T (Ltd)
18-20 Elsworth Road
London
NW3 3DJ
project
Proposed Window Types III
Timber Windows
title
Planning
status
11/07/2017 PV
date
1:20 @ A1 BL
scale
checked

(03)23

B 832-01
revision job number

