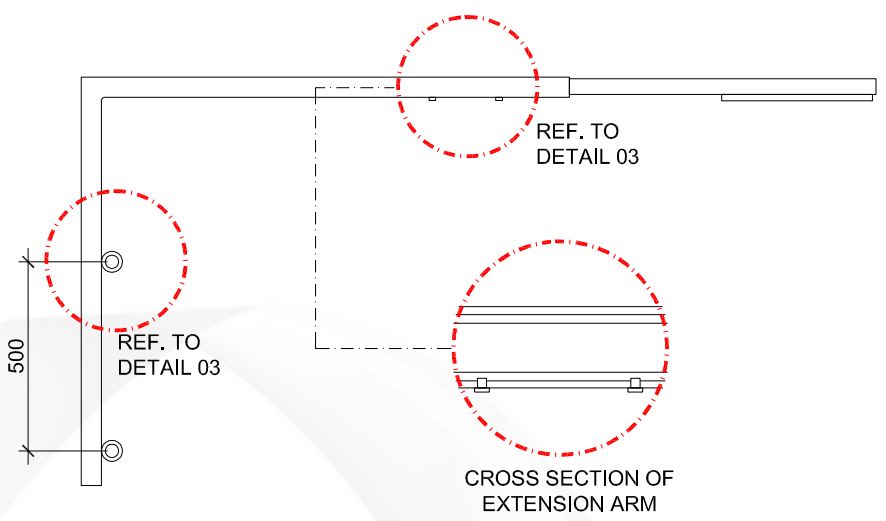
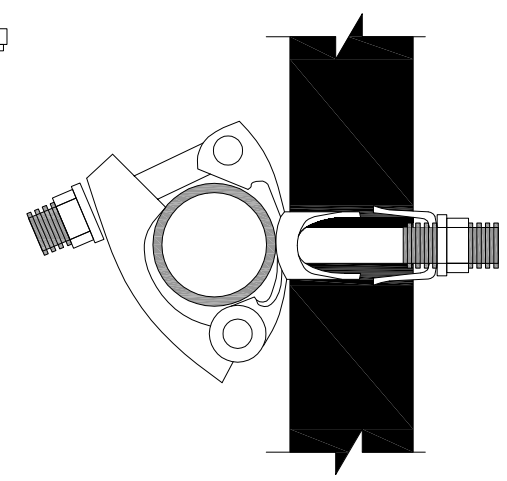


DETAIL 01 - LIGHT MOUNTING
SCALE 1:20



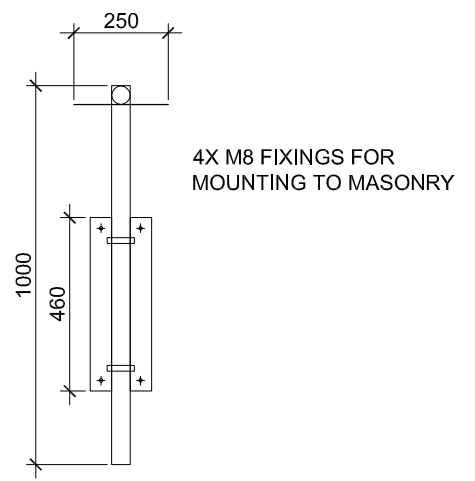
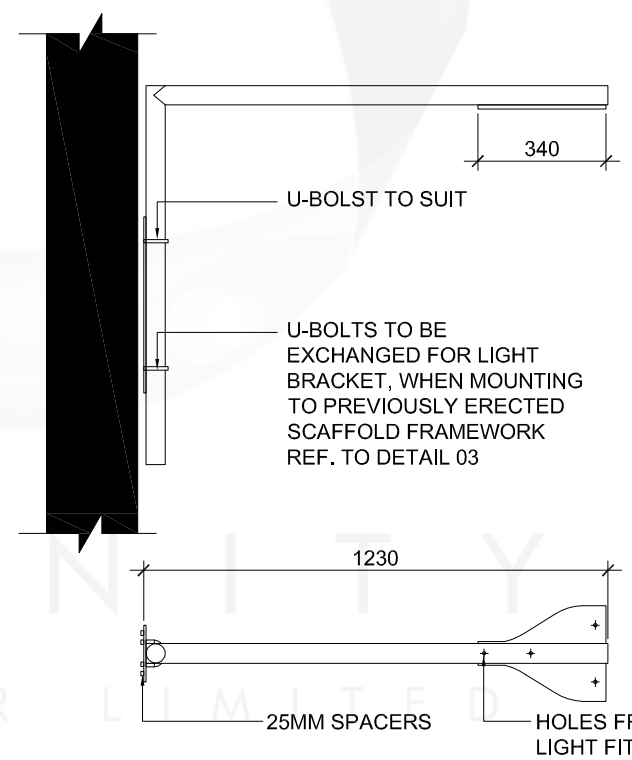
DETAIL 02 - FIXING BANNER TO SCAFFOLDING
SCALE 1:20



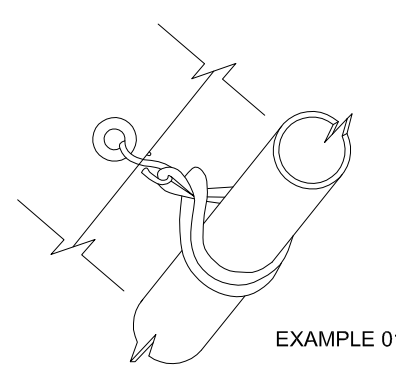
DETAIL 03 - LIGHT BRACKET FIXING METHOD

REF. TO
DETAIL 02

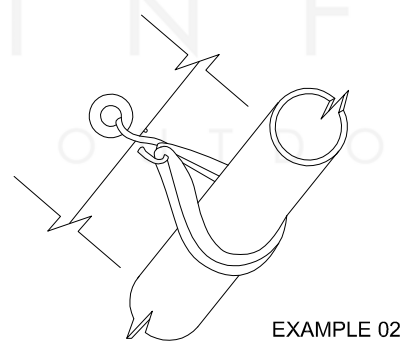
BANNER
LOCATION



4X M8 FIXINGS FOR
MOUNTING TO MASONRY



EXAMPLE 01



EXAMPLE 02

DETAIL 04 - FIXING BANNER TO SCAFFOLDING

DETAIL 05
SCALE 1:20



PROJECT	
TEMPORARY ADVERTISING HOARDING & SITE BOUNDARY IMPROVEMENTS	
DATE	SCALE
13th MAY 2014	1:20 @A3
DRAWING TITLE	PROJECT
BANNER FIXING DETAILS	